

# ABILKEEN

DC电源插座 直插式耳机插座 直键开关

IN-LINE HEADPHONE SOCKET

## 埃贝肯电气

值得信赖的电气专家



## 乐清埃贝肯电气有限公司

YUEQING AIBEIKEN ELECTRIC CO., LTD

# 公司简介 COMPANY PROFILE

乐清埃贝肯电气有限公司，总部位于中国温州，致力于“专业、创新、”为理念。是国内专业生产耳机、电源插座、开关制造商之一。始建以来一直从事电子元件的研制、生产，时至今日，现已具有完善的产品开发、生产、装配，销售以及售后服务形象。

本公司具有雄厚的技术力量及先进的生产设施和检测设备；拥有一批从事新产品研发的工程师和精工制作的生产队伍、同时，根据国内、外市场需求、不断吸取先进经验和技能，开发高质量的新产品，以卓越质量和满意服务，赢得广大客户一致好评。

本公司遵奉“以质量求生存，以科技求发展”的宗旨，以“让用户满意是我们不懈的追求”为企业精神，为您提供一流的产品和服务。

埃贝肯，竭诚欢迎海内外客户，光临惠顾、洽谈合作，共创辉煌未来！

Yueqing Eibeiken Electric Co., Ltd., headquartered in Wenzhou, China. is a professional manufacturer producing earphone, power plugs and switches. it is engaged in the research and production for electronics components since its foundation; and until now, Eibeiken electronics has set up a complete system or development, manufacture, assembly, sale, and after service.

The company powerful technical developing force, full varieties of production and testing equipments and possessed passel engineering-personnel at work on the new products of develops and employ qualified personnel. and according to market require of domestic and abroad, continuously absorb advanced experience and technique, develop new products of high quality and always ensure offer the best qualified products and satisfied service to customer.

The company holds a number of high quality technicians and administrative personnel. continually introduces the advanced know-how production equipments. the products sell well domestically and abroad, have high quality. Chuang Kianq Electronice We hoa the octomors come here and cooperate with us. and strive for a better future!



# 厂房车间 WORKSHOP



以人为本，以质取胜，  
持续改进，顾客满意。

PEOPLE-ORIENTED, QUALITY-ORIENTED WIN,  
CONTINUOUS IMPROVEMENT, CUSTOMER SATISFACTION

# 检测设备 DETECTION EQUIPMENT



回流焊



盐雾测试机



环保测量仪

更高、更远、更便捷 HIGHER, FARTHER, MORE CONVENIENT



3D投影仪

优秀的团队，专业的服务  
EXCELLENT TEAM, PROFESSIONAL SERVICE

专心  
CONCENTRATE

专业  
PROFESSIONAL

专注  
FOCUS

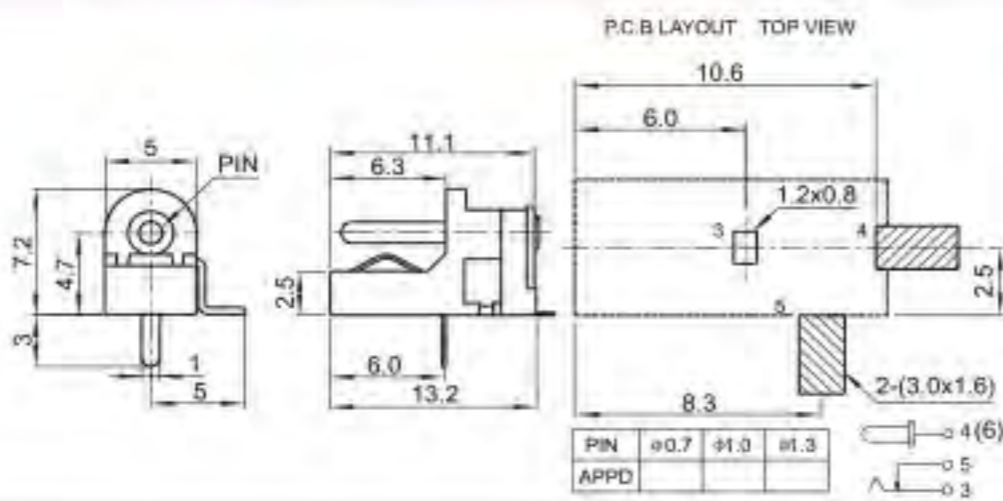


# 目录 CONTENTS

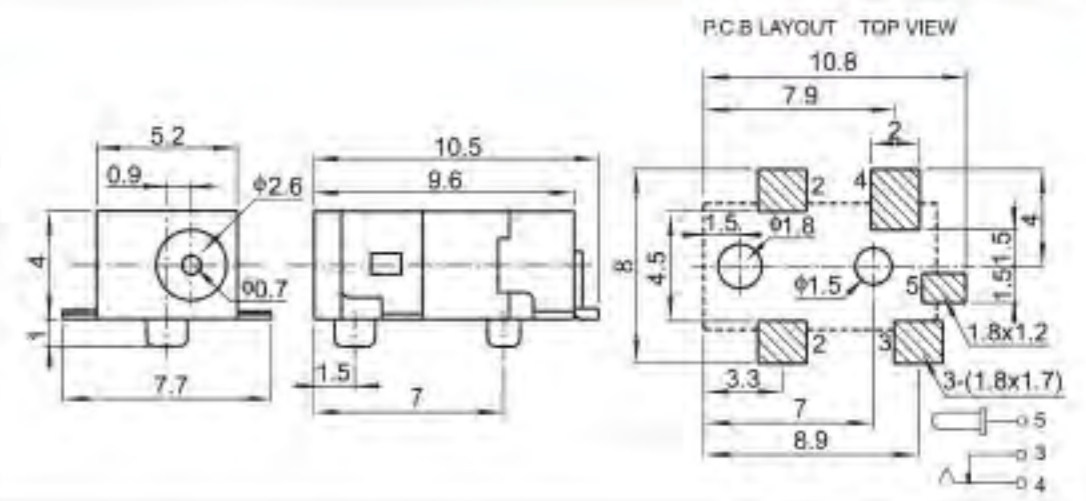
DC贴片式电源插座系列 DC(SMT/DIP) POWER JACK SERIES	001
2.5/3.5贴片式耳机插座系列 2.5/3.5 PHONE JACKS(SMT/DIP) SERIES	020
电源插座系列 POWER JACKS SERIES	052
XLR(CT)连接器系列 XLR (CT) CONNECTOR SERIES	059
6.35直插式耳机插座系列 6.35 PHONE JACKS(DIP) SERIES	064
DIN插座系列 DIN SOCKET SERIES	076
AV同芯插座系列 AV PIN JACK SERIES	081
拨动开关系列 SLIDE SWITCHES SERIES	085
光纤系列 FIBRE-OPTICAL SERIES	088
电池座系列 BATTERY HOLDER SERIES	090



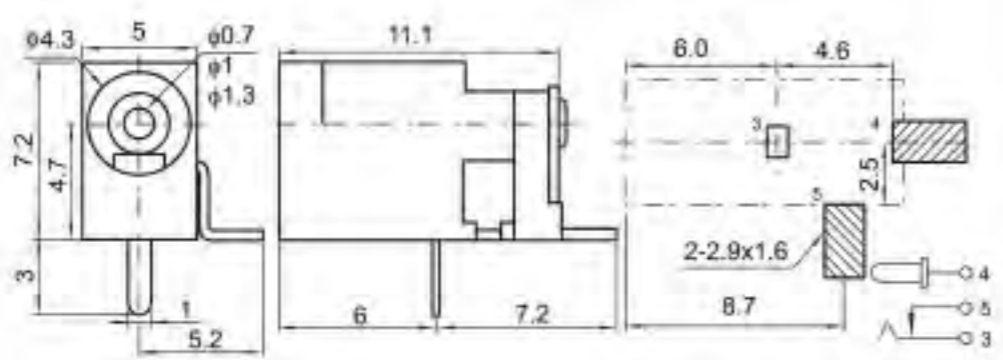
DC-0001C



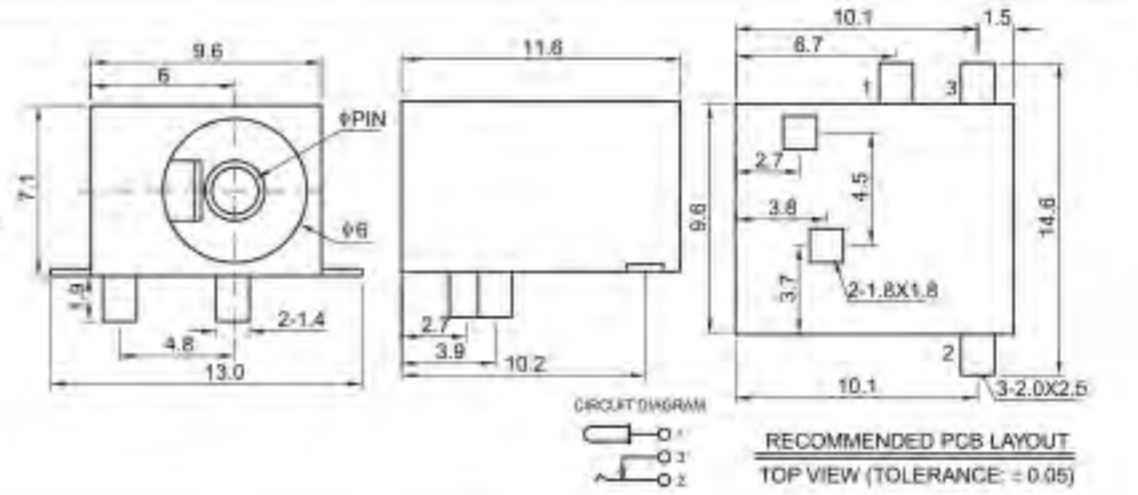
DC-00410



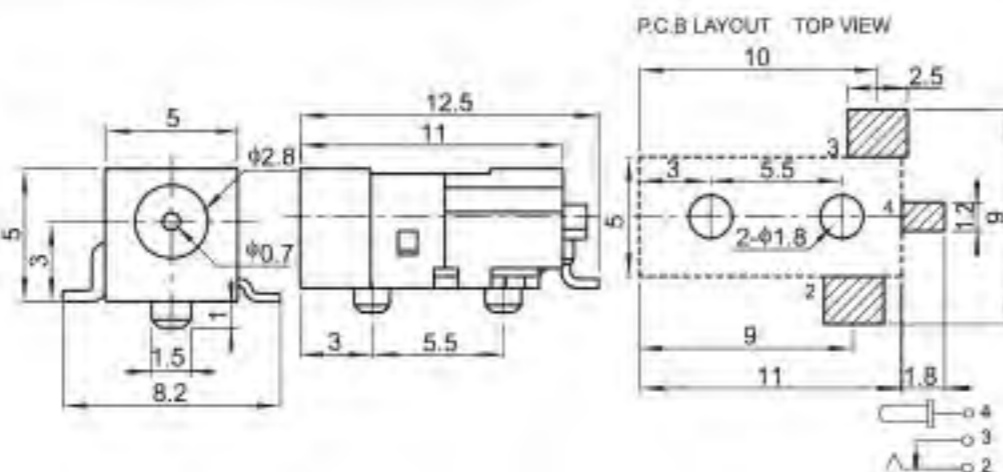
DC-0002C



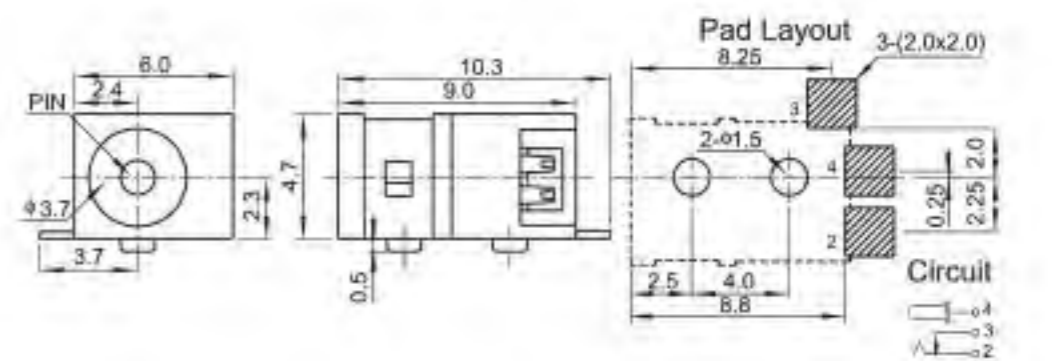
DC-0044T



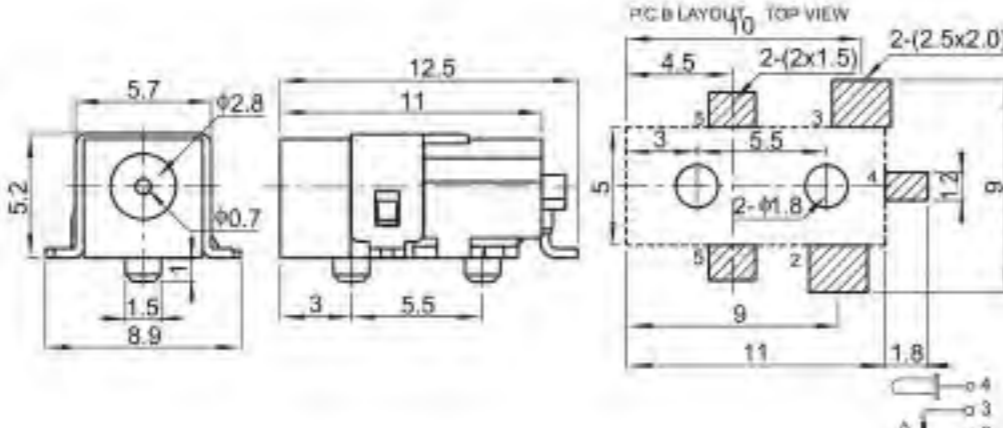
DC-0011B



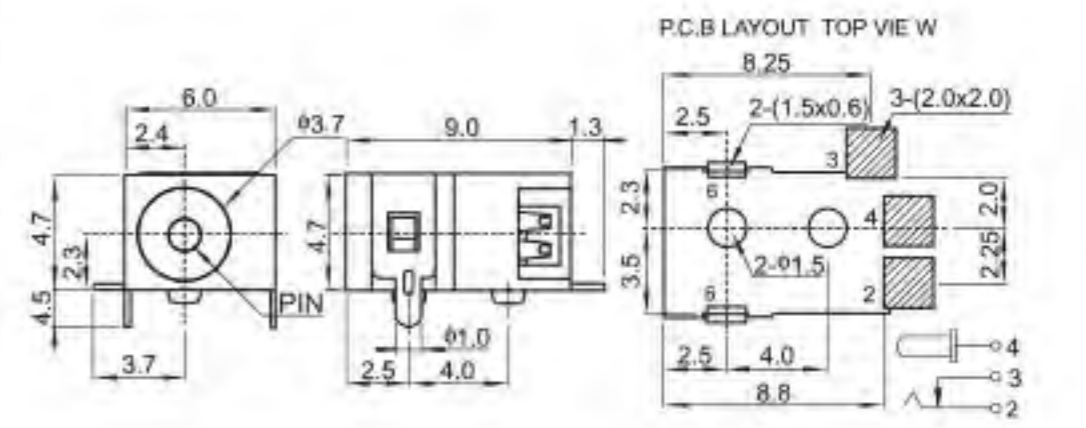
DC-00450



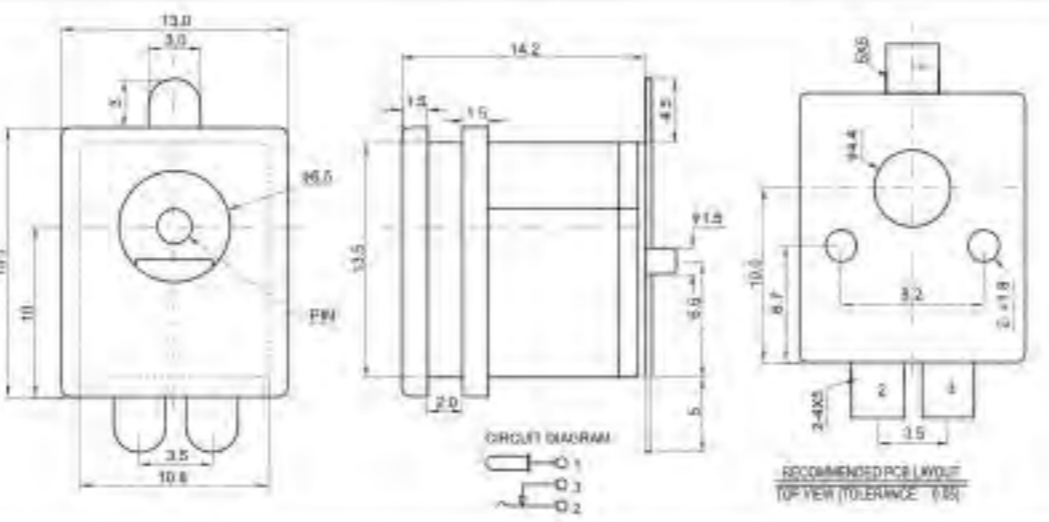
DC-0011C



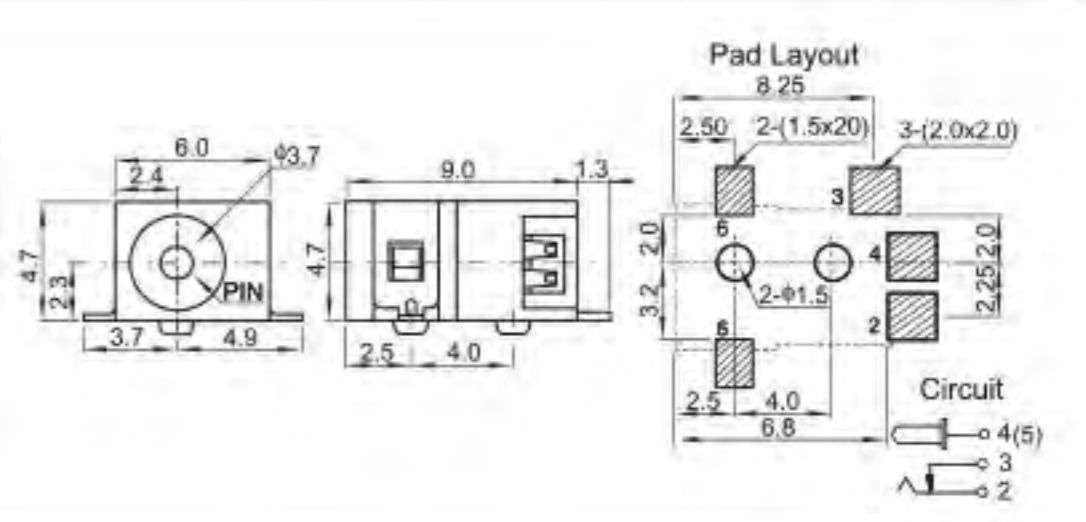
DC-0045A



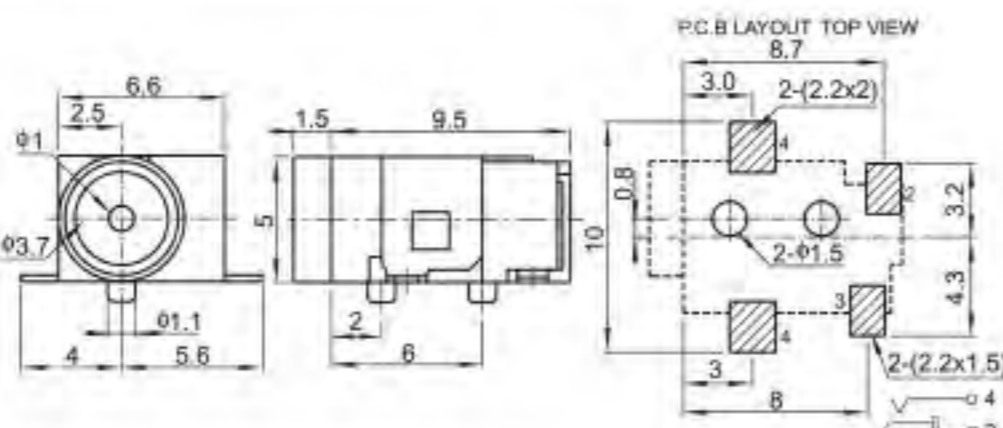
DC-0015T



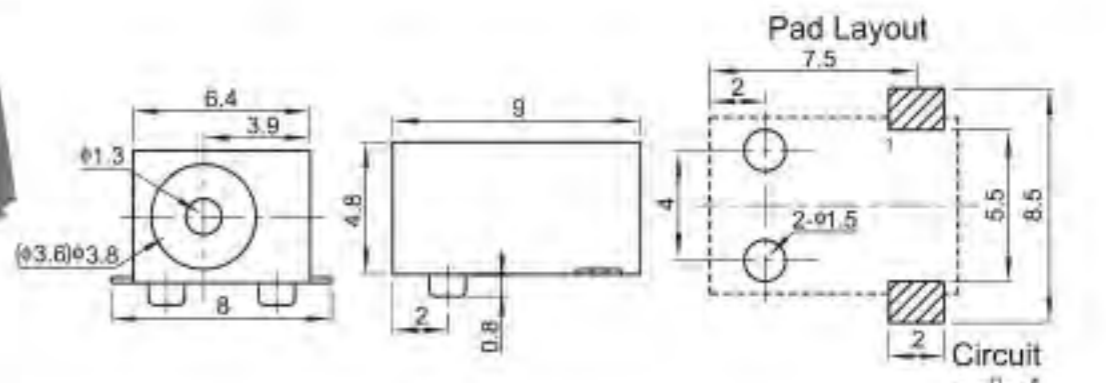
DC-0045B



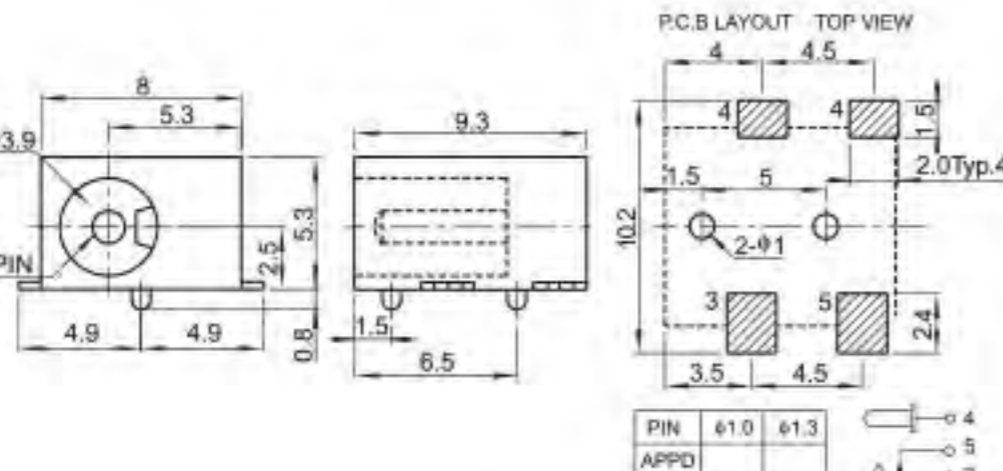
DC-0031A



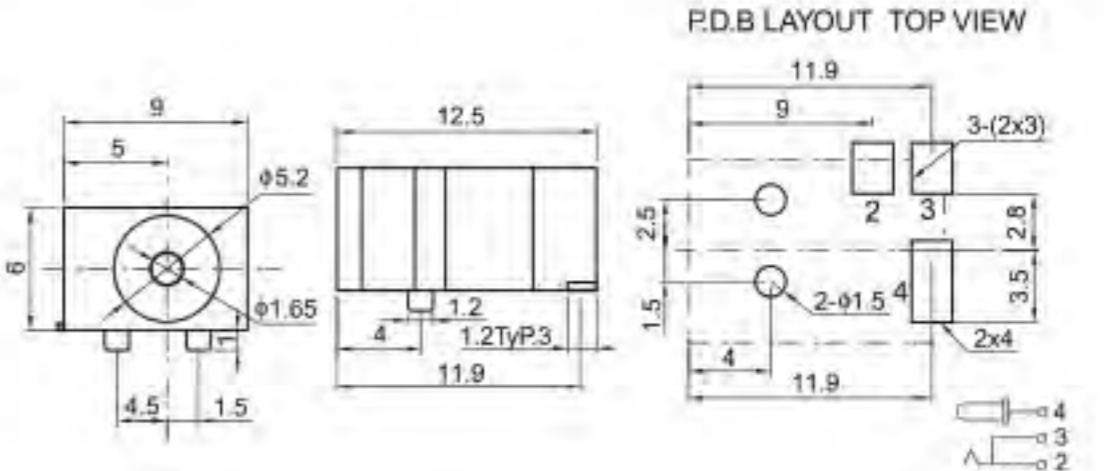
DC-00470



DC-00330

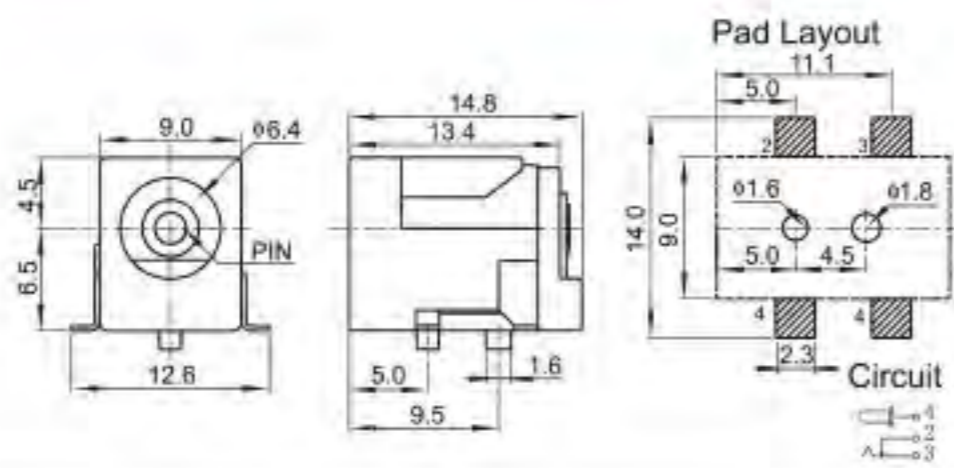


DC-0049A

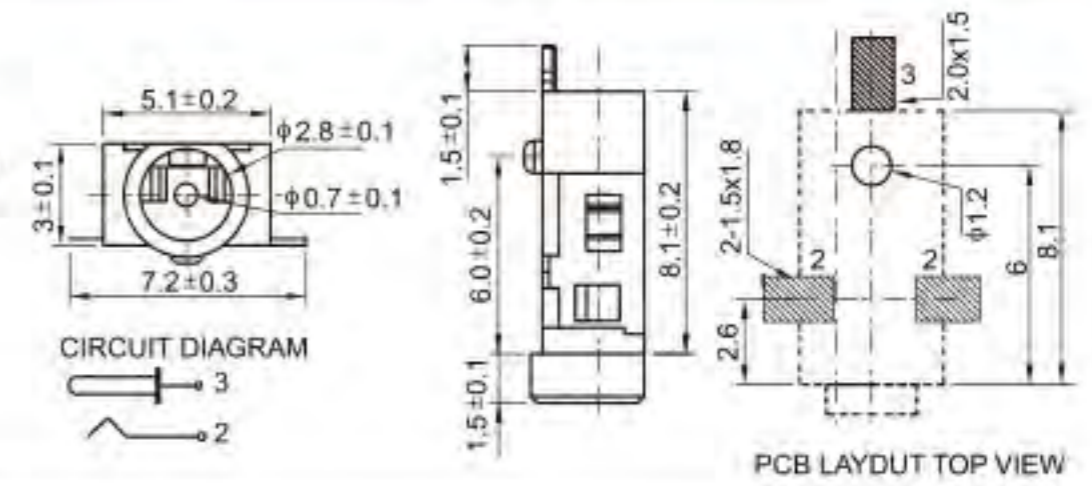




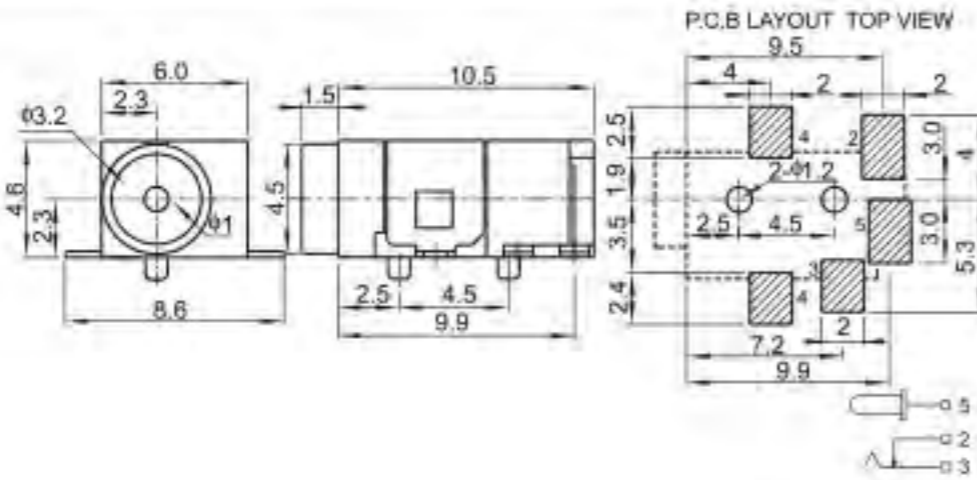
DC-00500



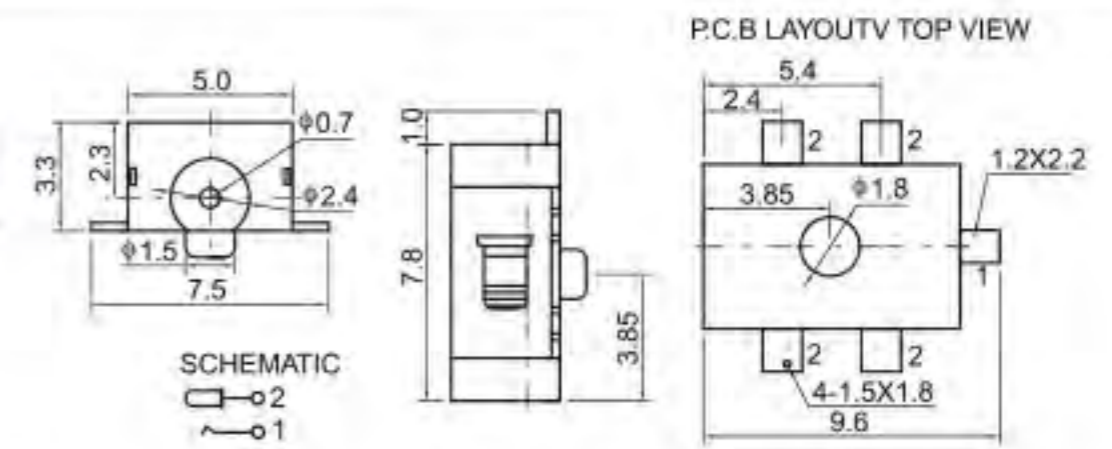
DC-0055D



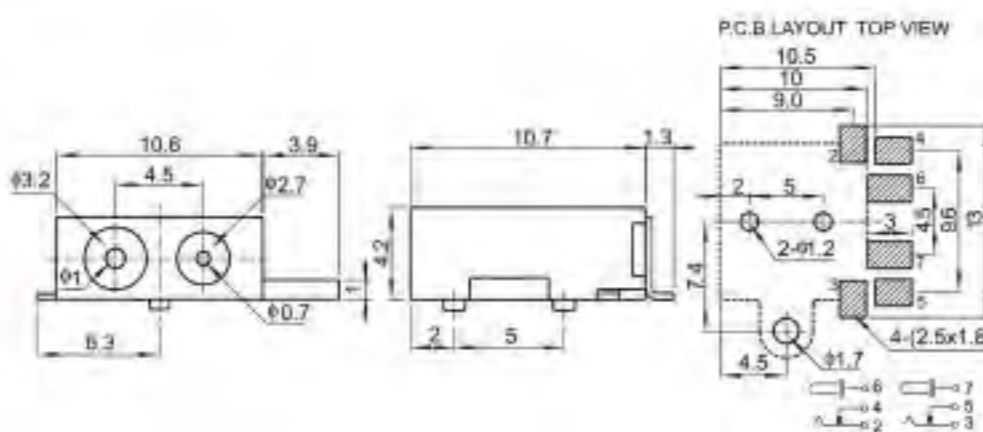
DC-00520



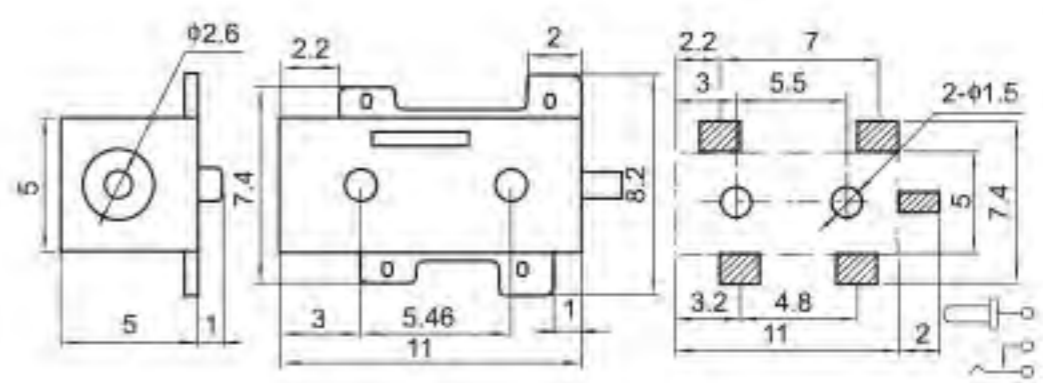
DC-00570



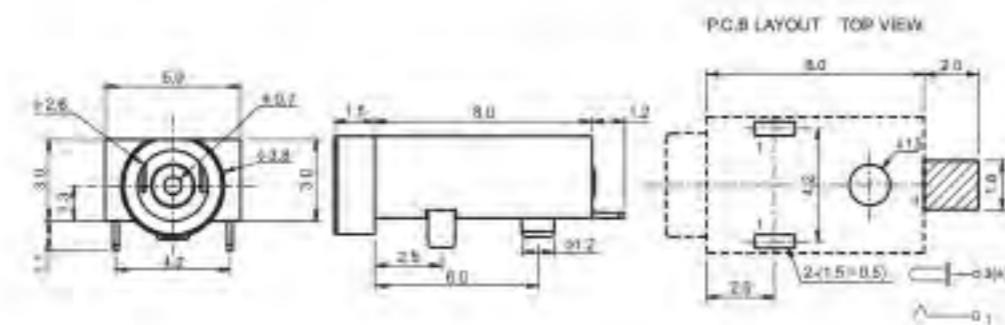
DC-00530



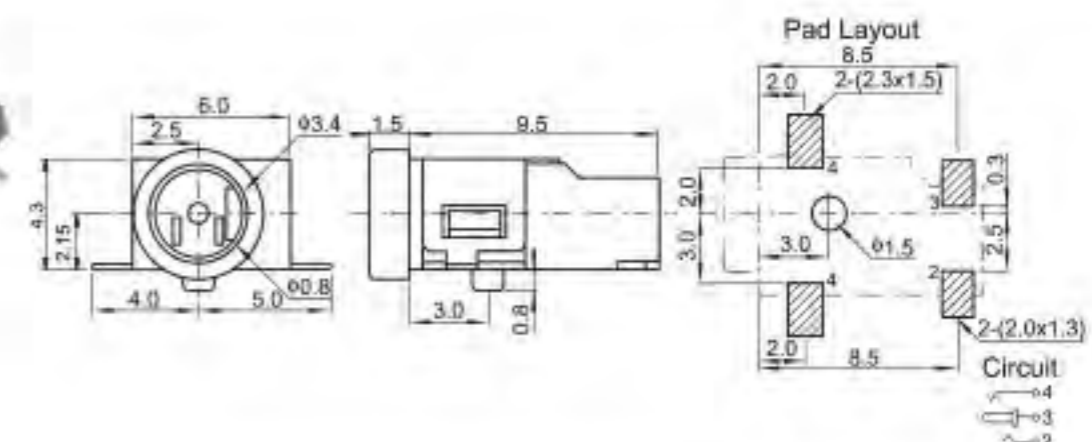
DC-00580



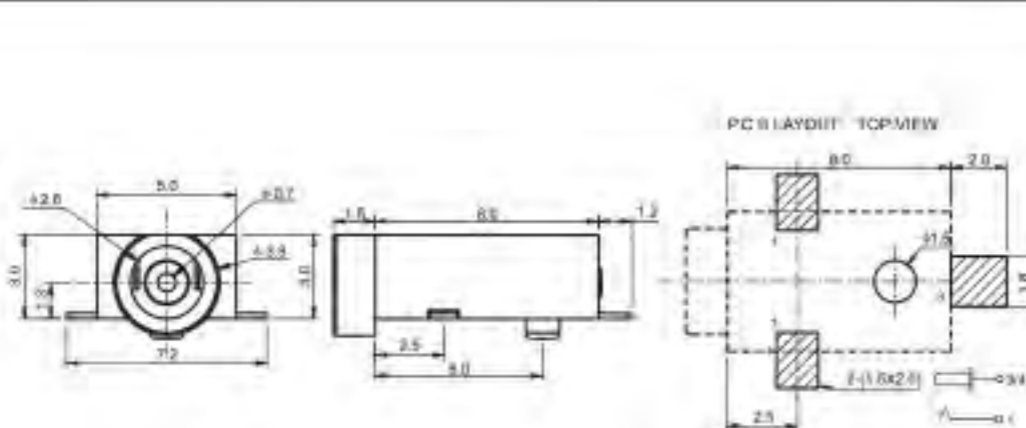
DC-00550



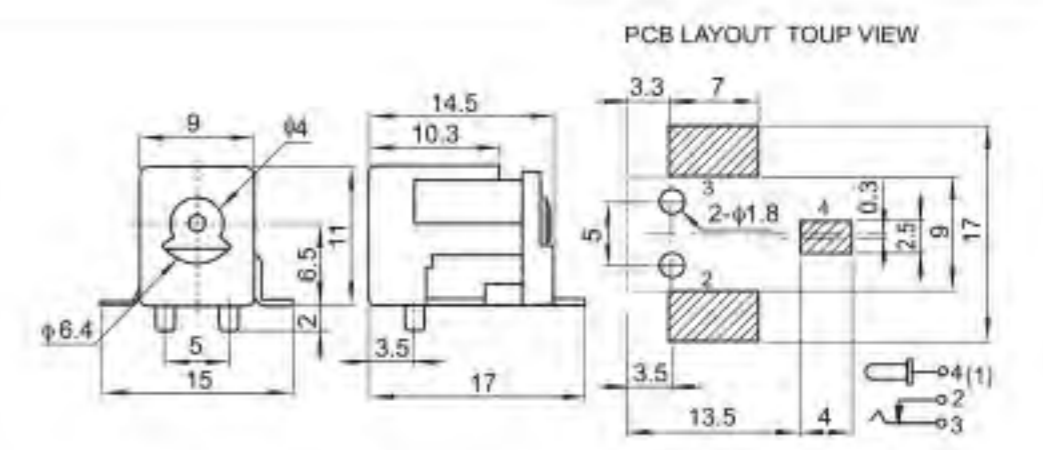
DC-00850



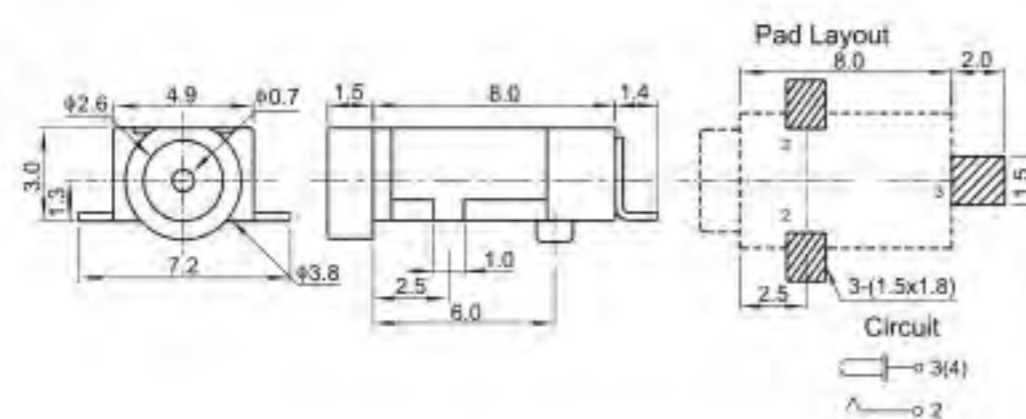
DC-0055A



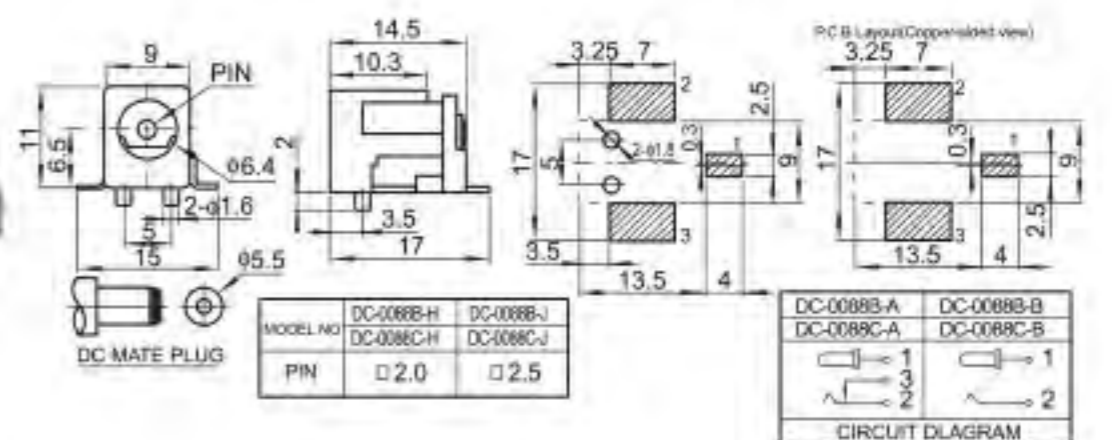
DC-00880



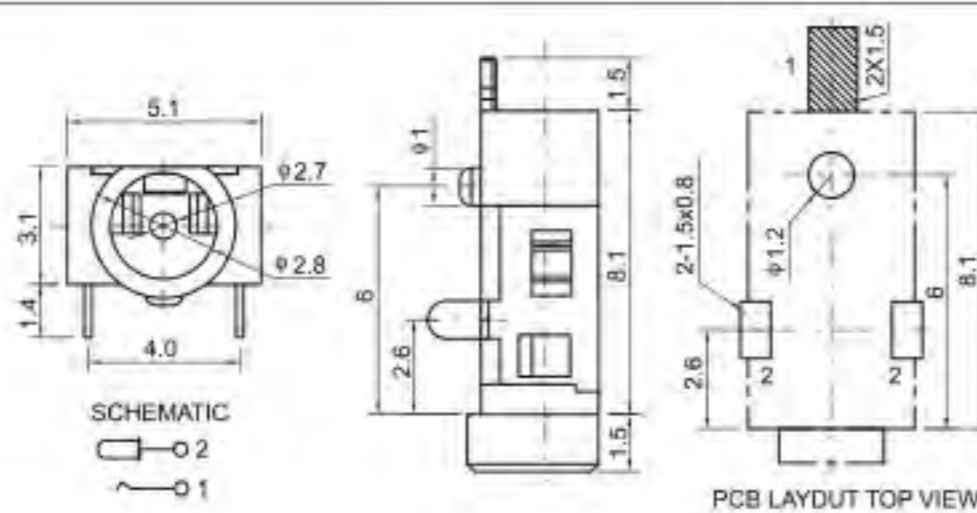
DC-0055B



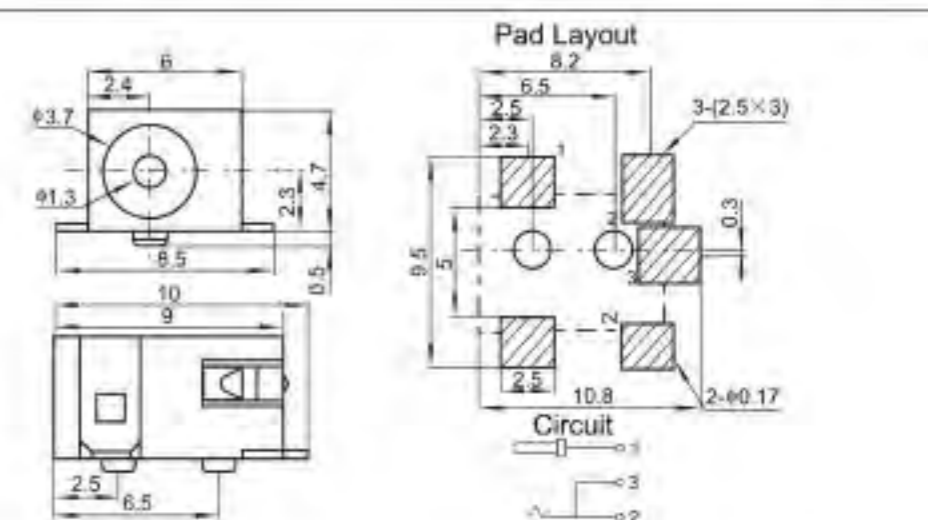
DC-0088B



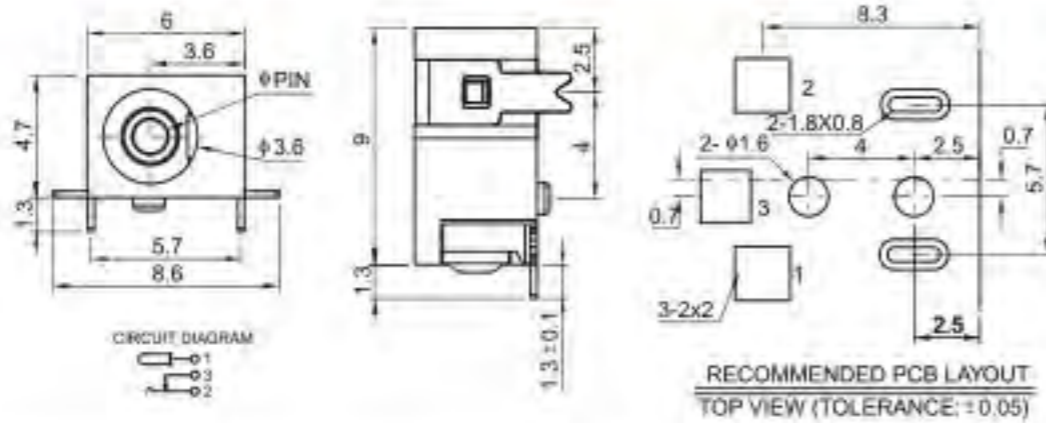
DC-0055C



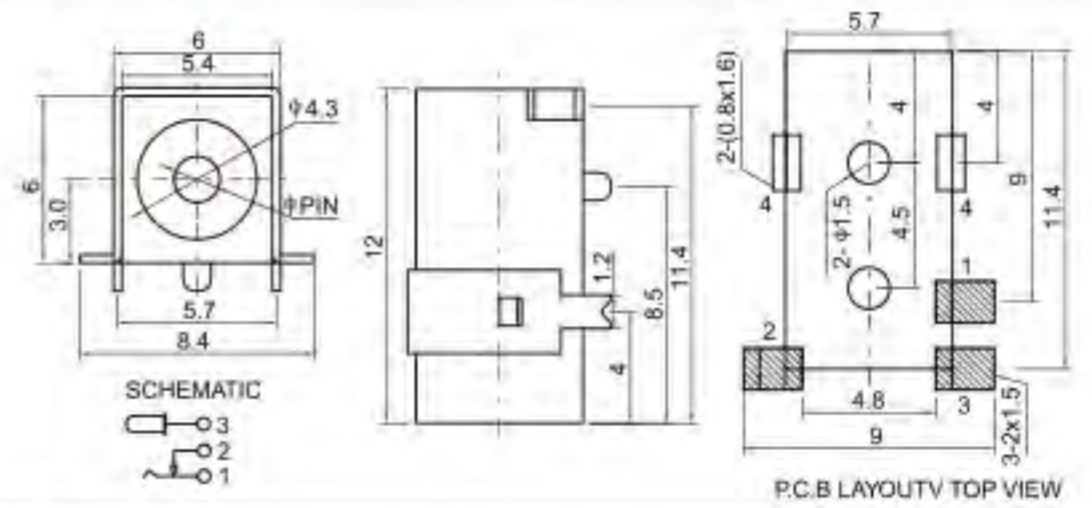
DC-00920



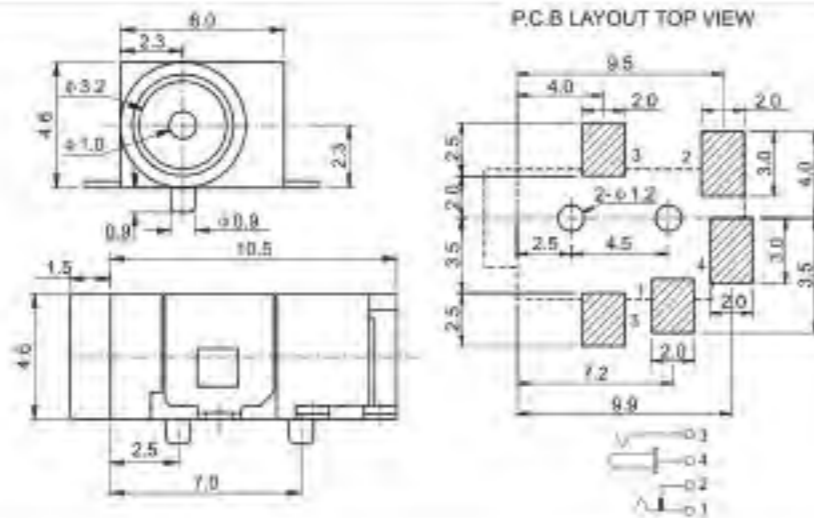




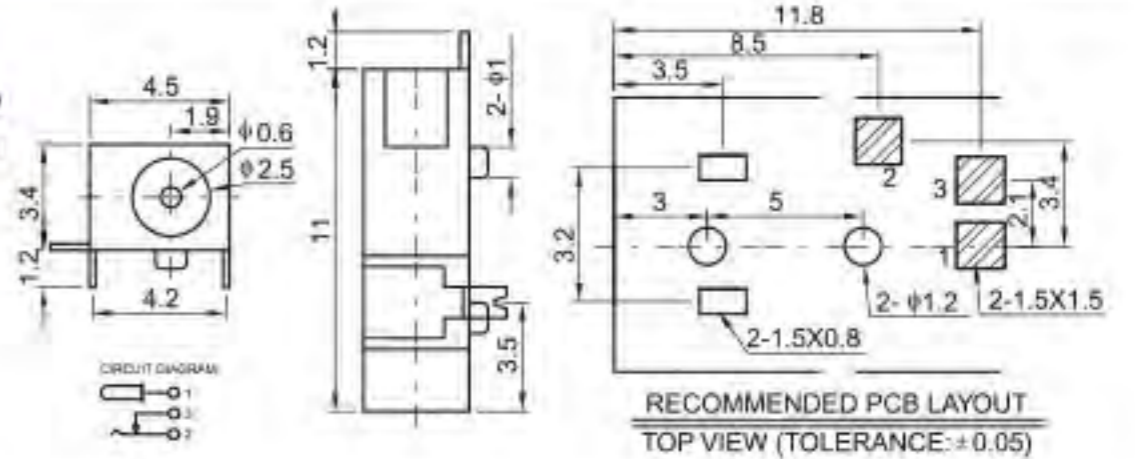
DC-0092A



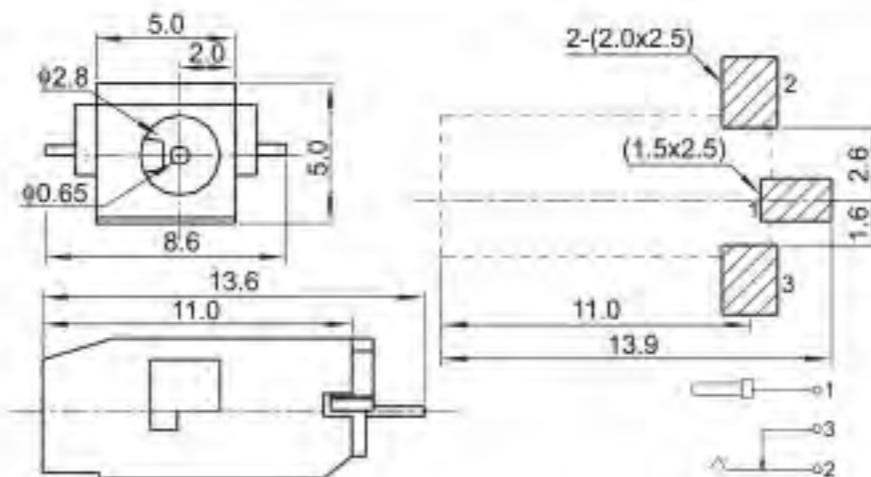
DC-0098A



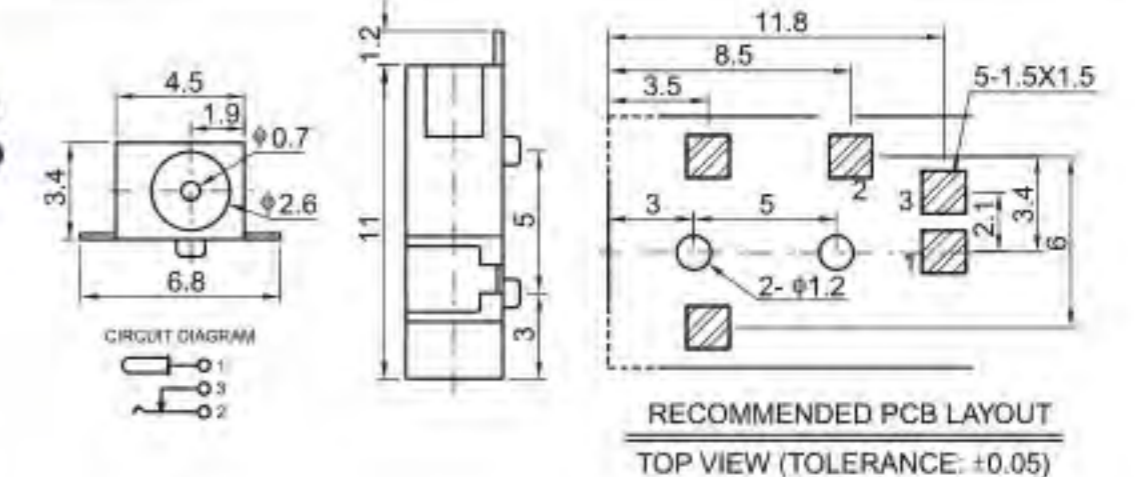
DC-00940



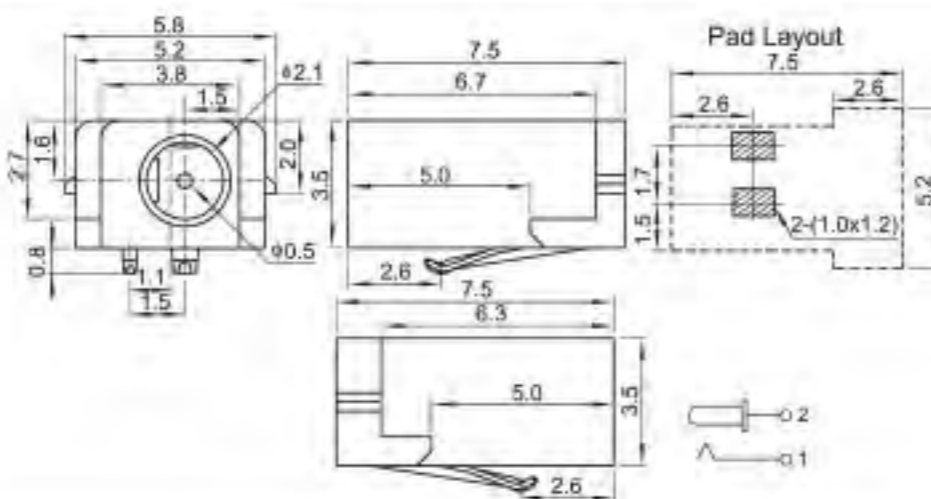
DC-0098B



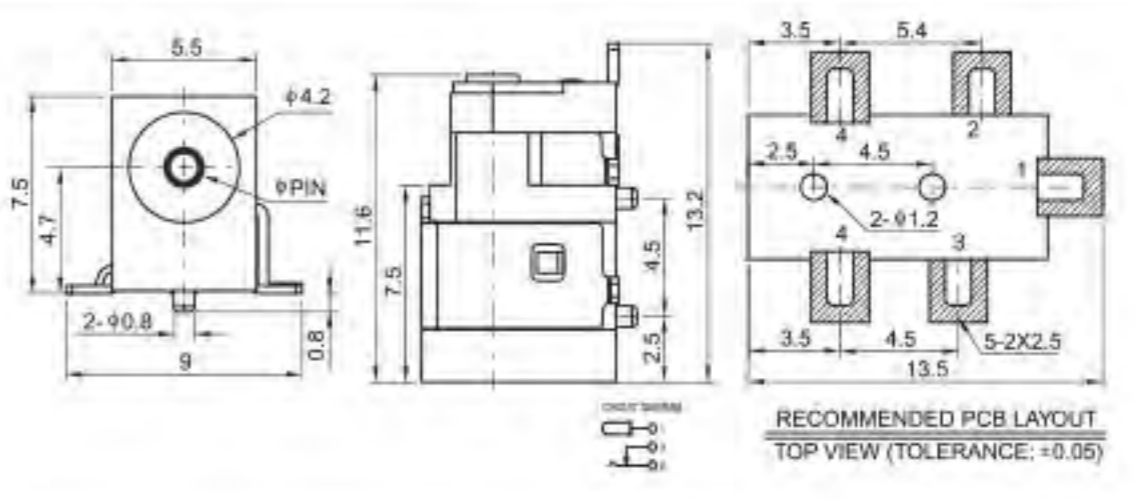
DC-00950



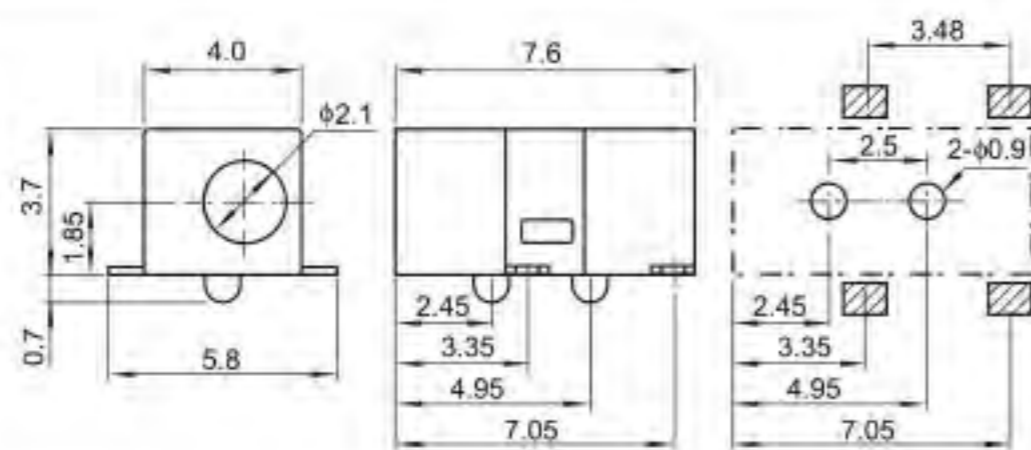
DC-0098C



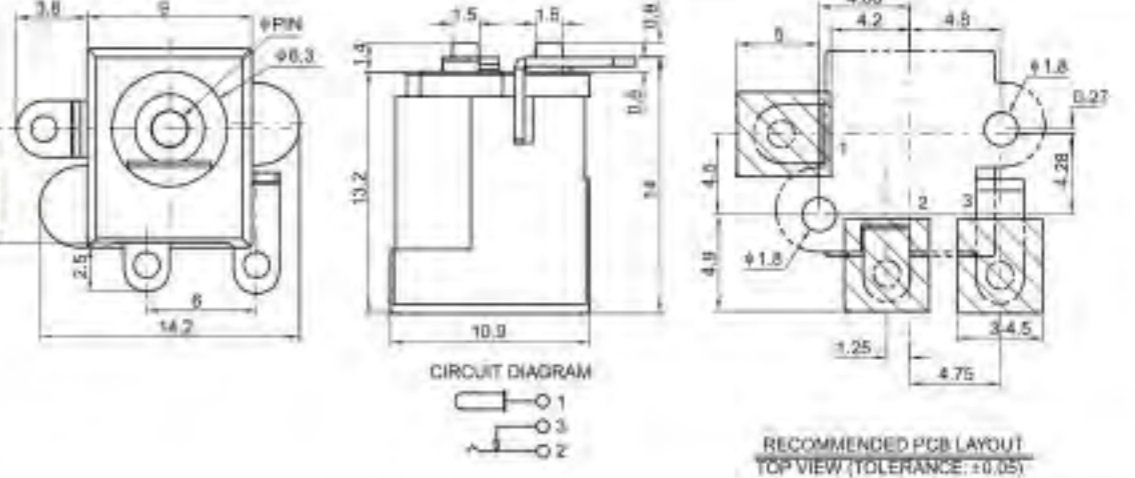
DC-00960



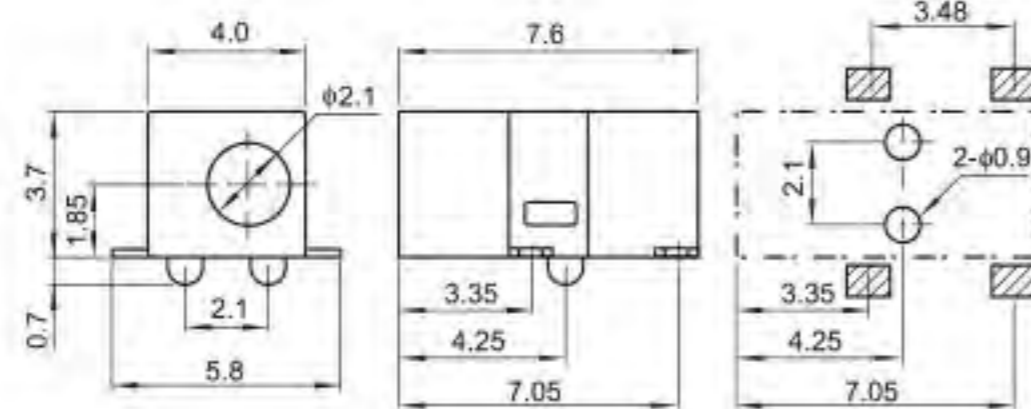
DC-1002C



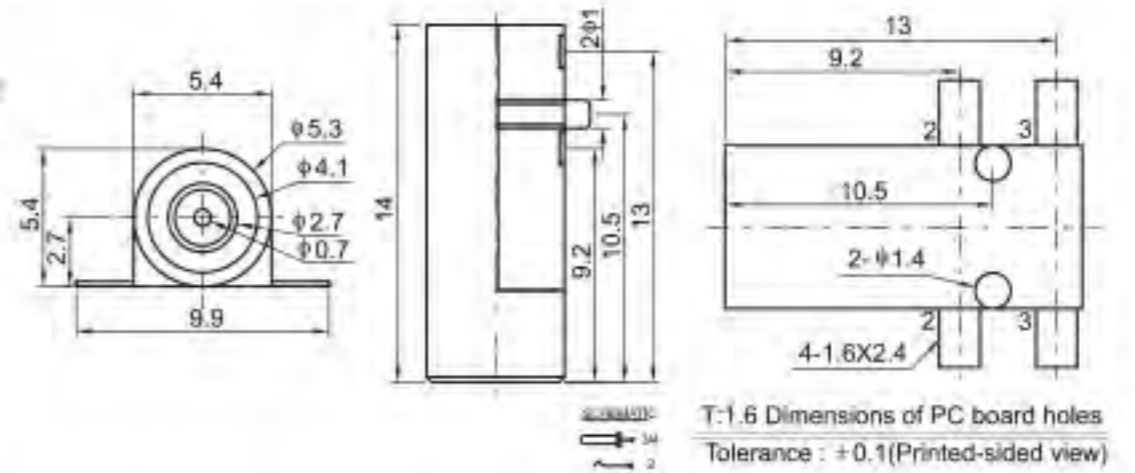
DC-0096B



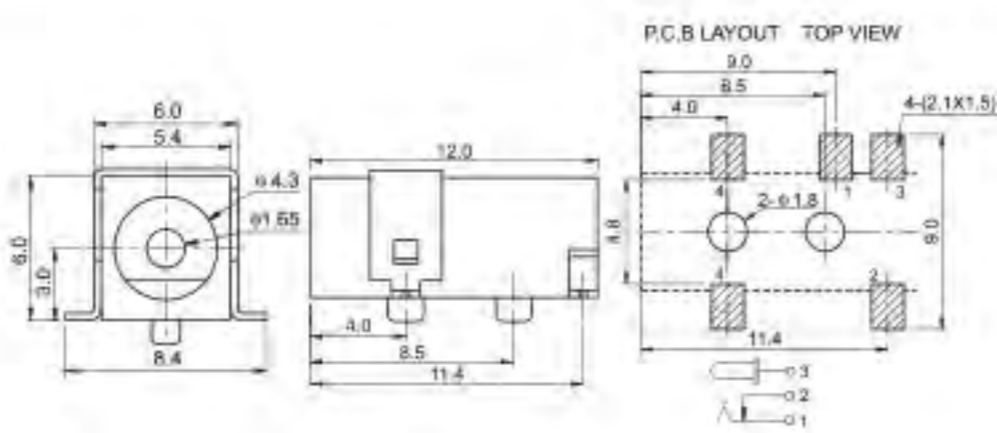
DC-05310



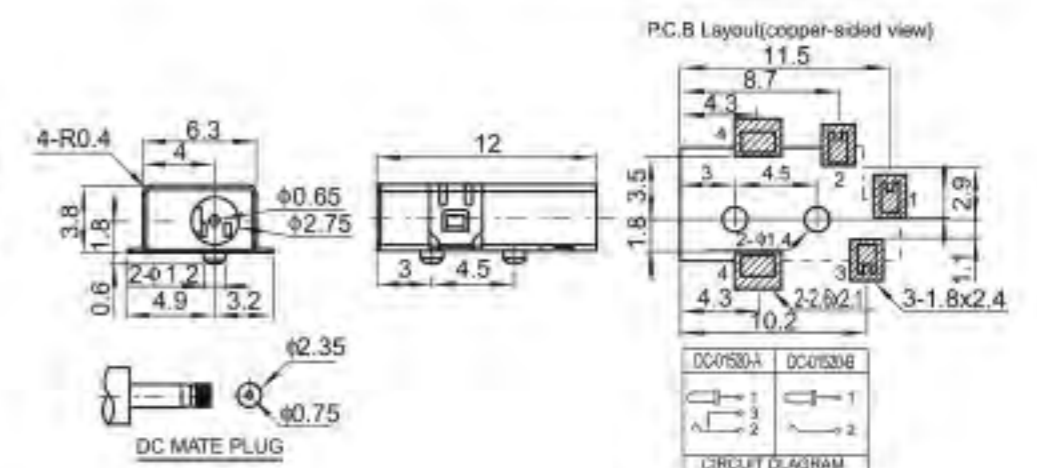
DC-0096C



DC-10235



DC-00980



DC-01520

DC-00010

PIN	φ1.0	φ1.1	φ1.3
APPD			

DC-0002G

DC-0001A

PIN	φ1	φ1.3
APPD		

DC-0002T

DC-00020

PIN	φ0.7	φ1.0	φ1.1	φ1.3
APPD				

DC-00030

DC-0002A

PIN	φ1.0	φ1.3
APPD		

DC-0003A

DC-0002D

DC-00040

DC-0002E

DC-0004A

DC-0004A	DC-0004A-1	PIN	φ2.0	φ2.5	φ2.5
		APPD			

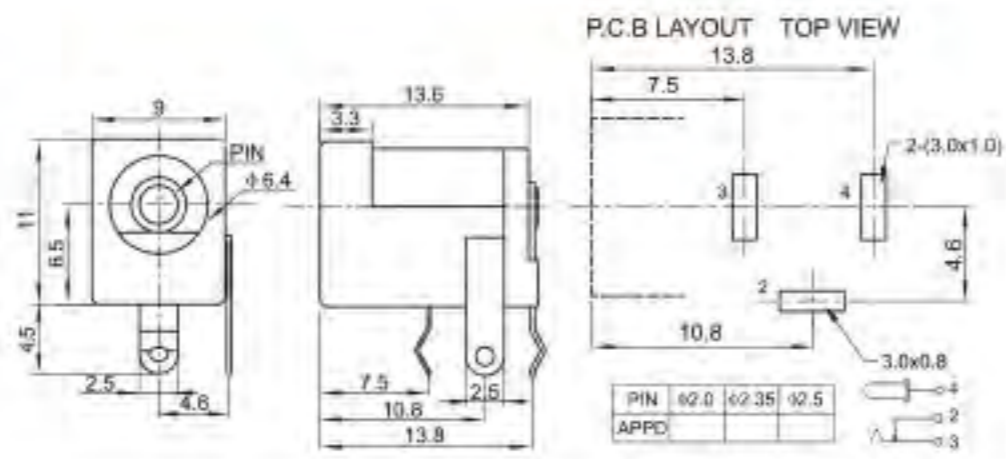
DC-0002F

DC-00050

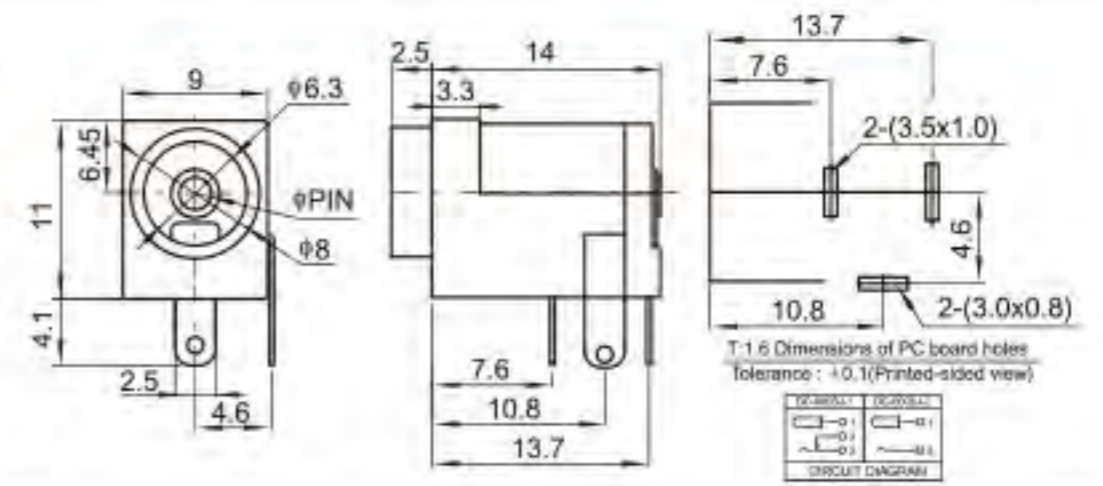
PIN	φ1.65	φ2.0	φ2.35	φ2.5
APPD				



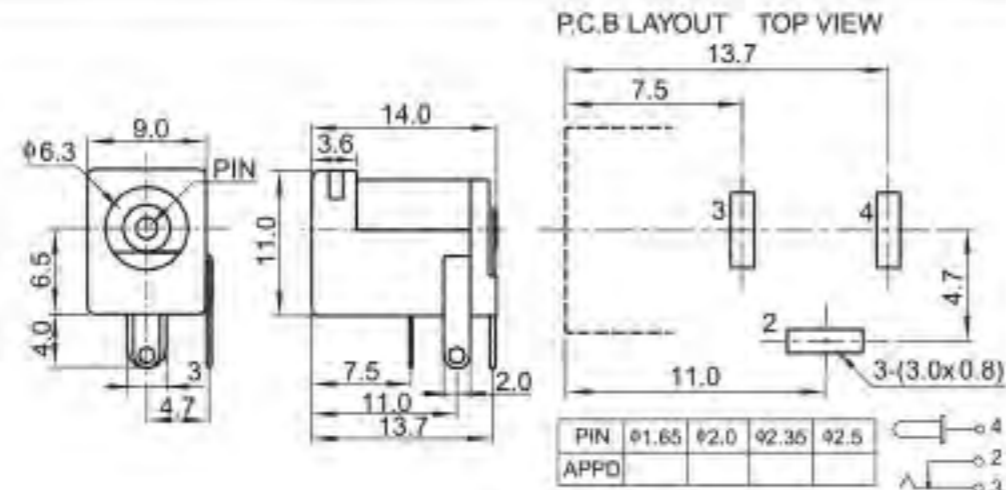
DC-0005A



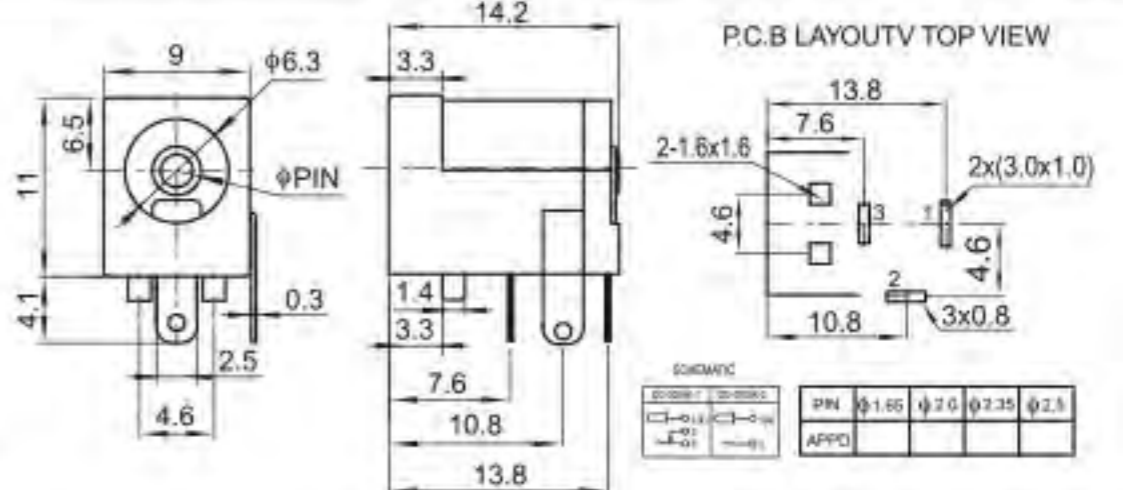
DC-0005J



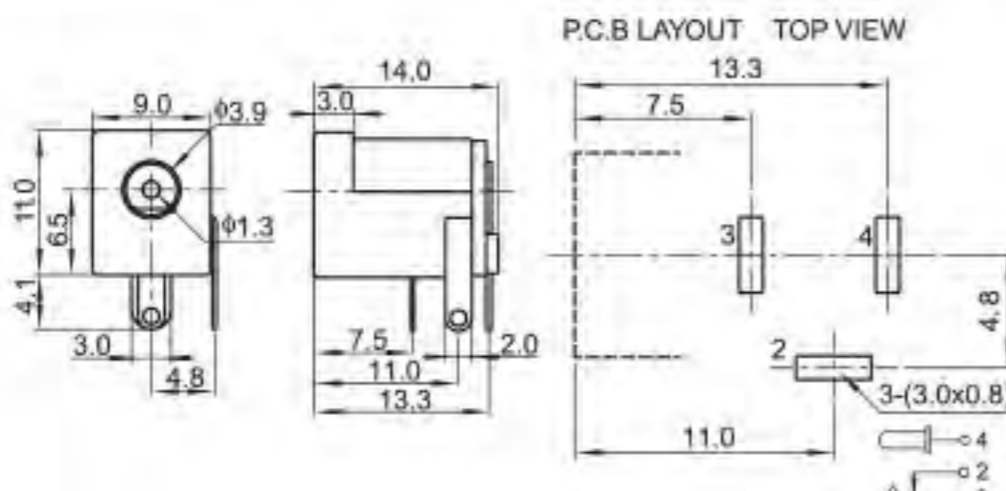
DC-0005B



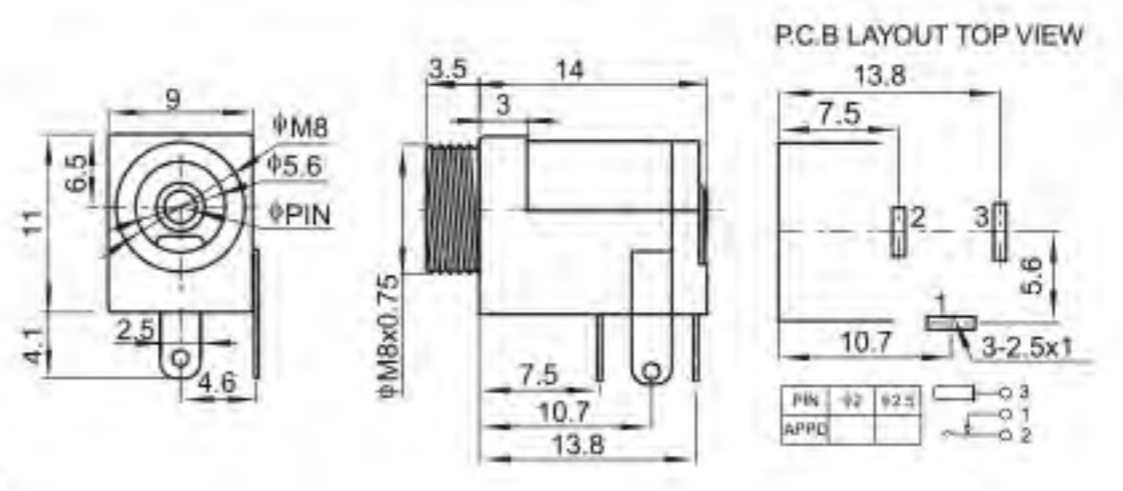
DC-0005K



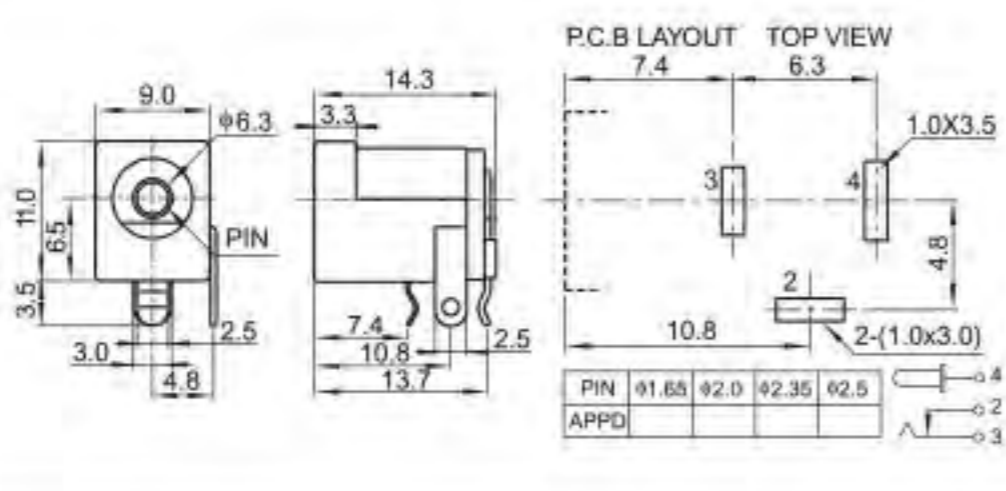
DC-0005C



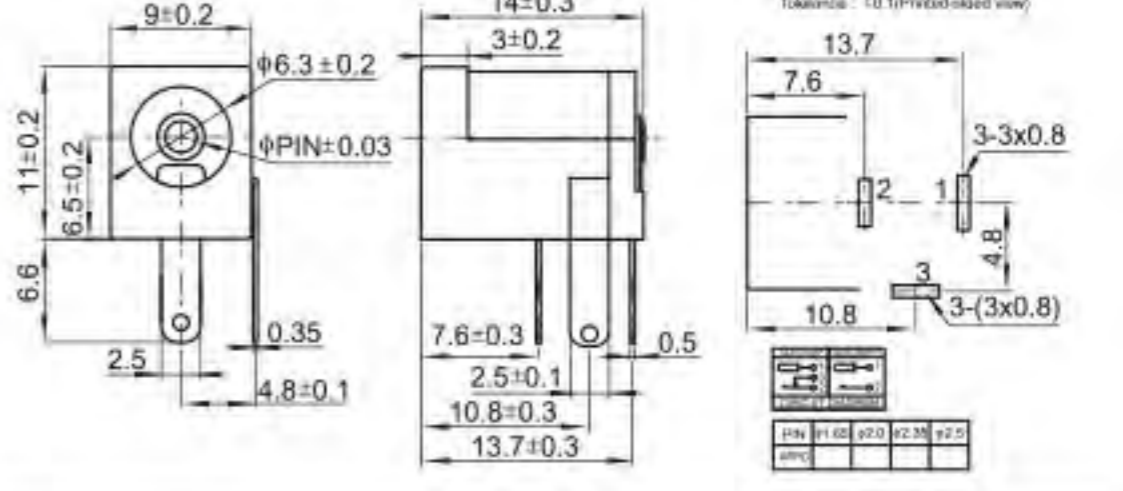
DC-0005M



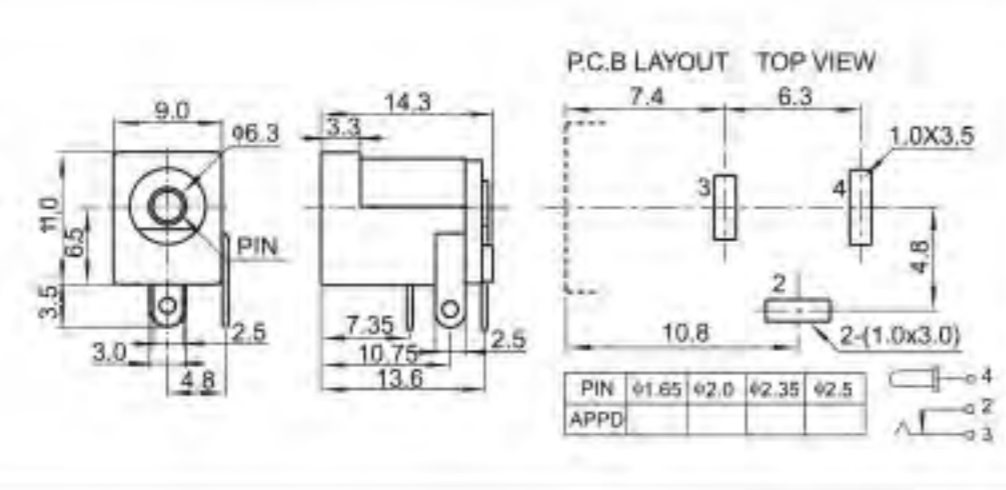
DC-0005D



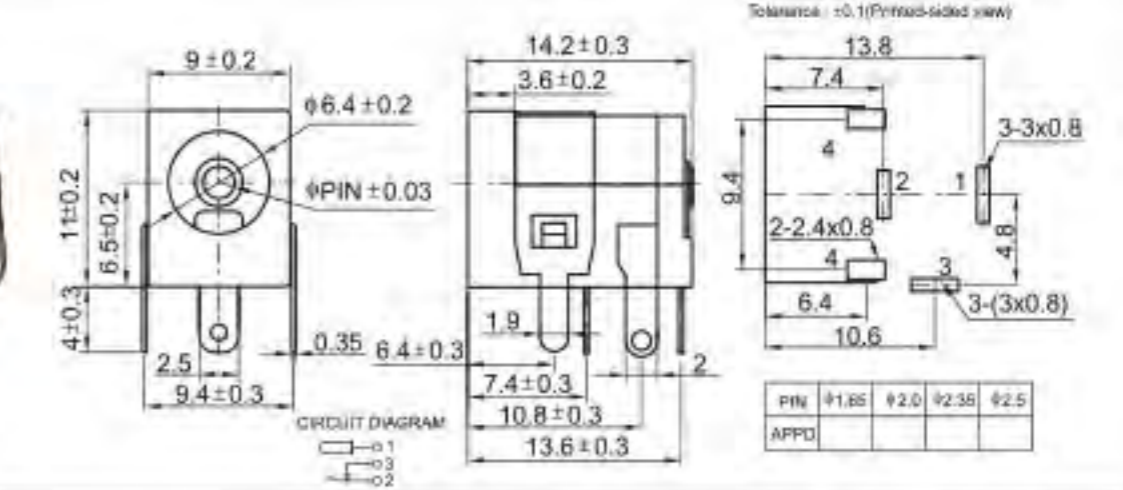
DC-0005N



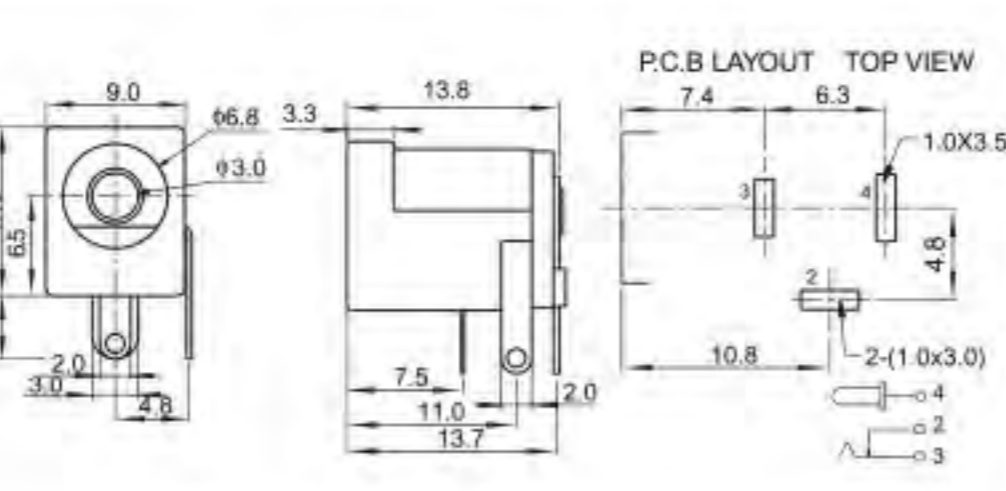
DC-0005E



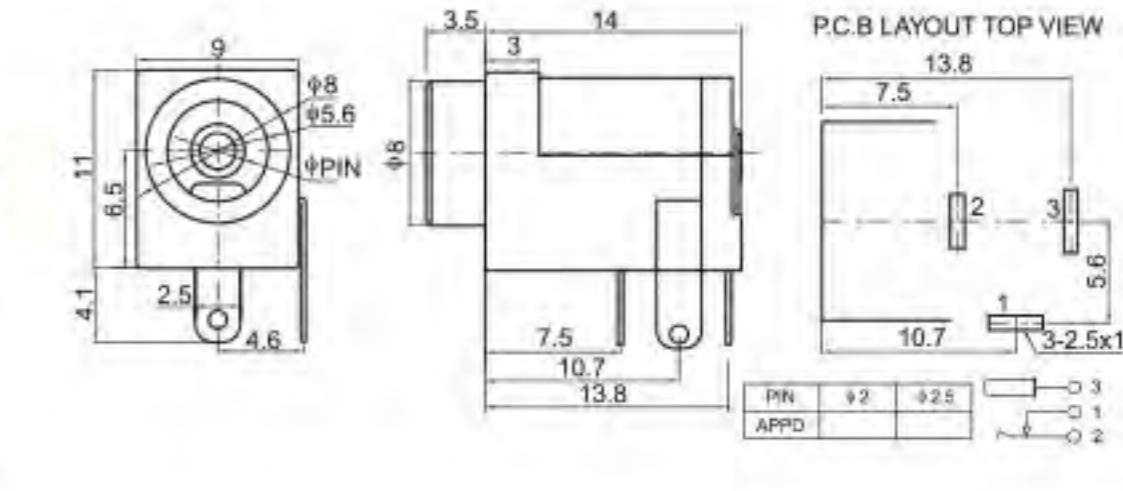
DC-0005R



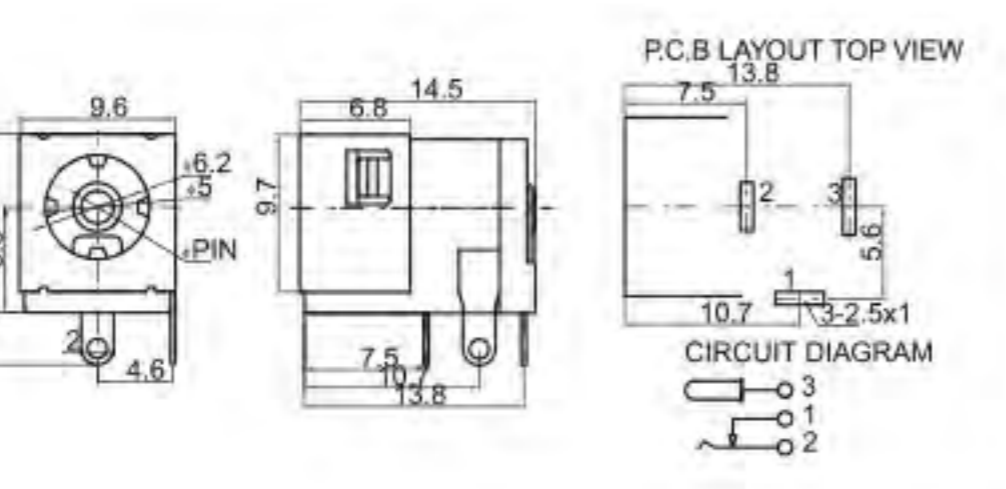
DC-0005F



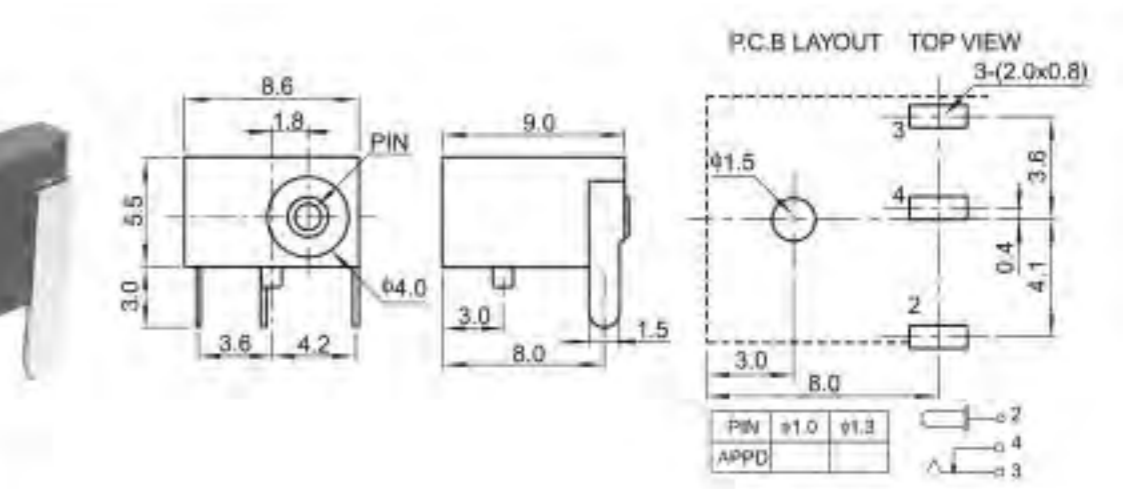
DC-0005X

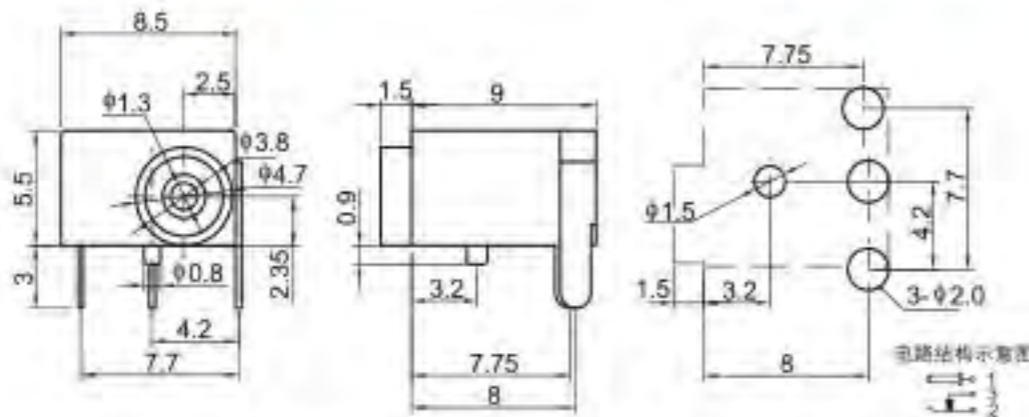


DC-0005G

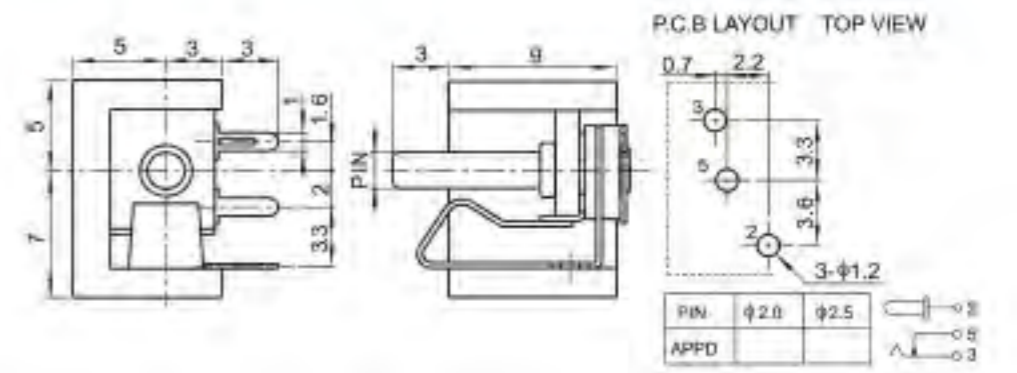


DC-0006

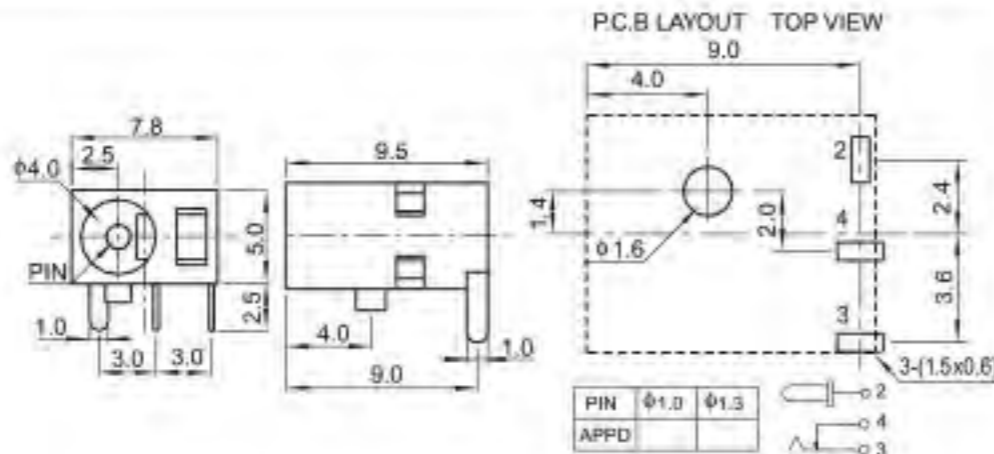




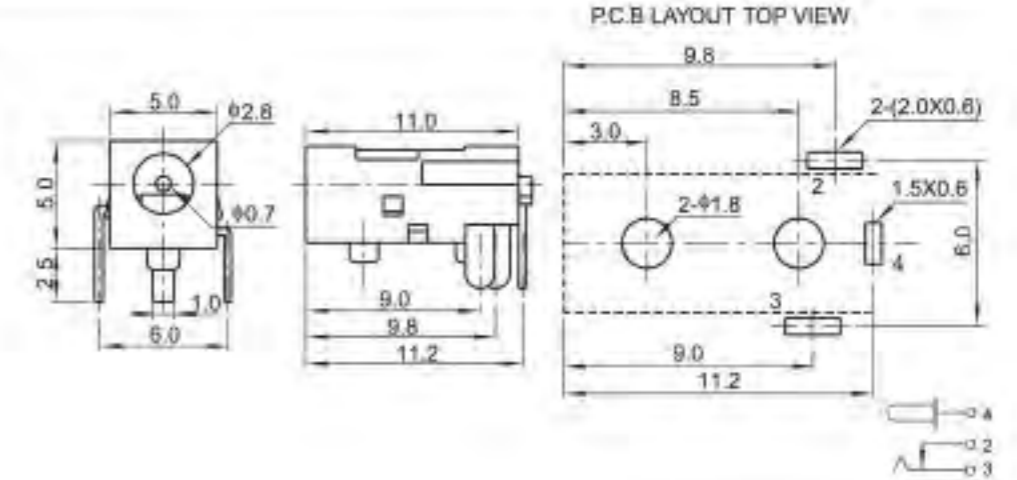
DC-0006A



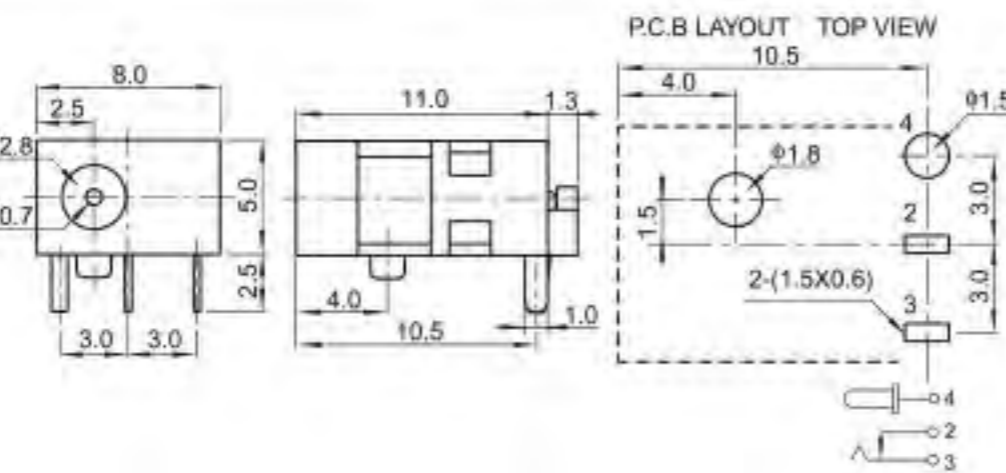
DC-00100



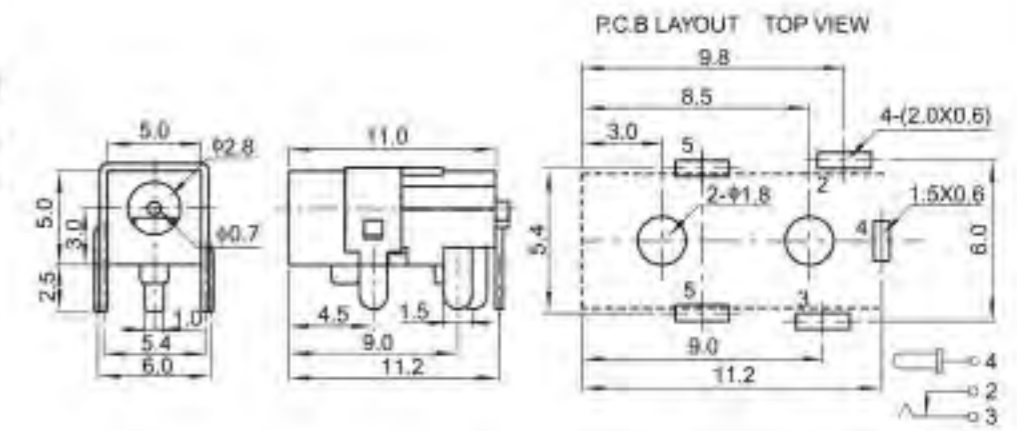
DC-0006B



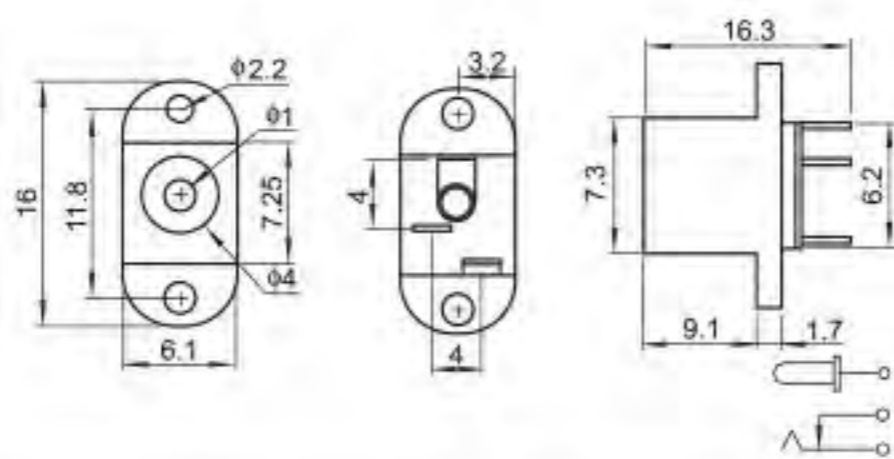
DC-00110



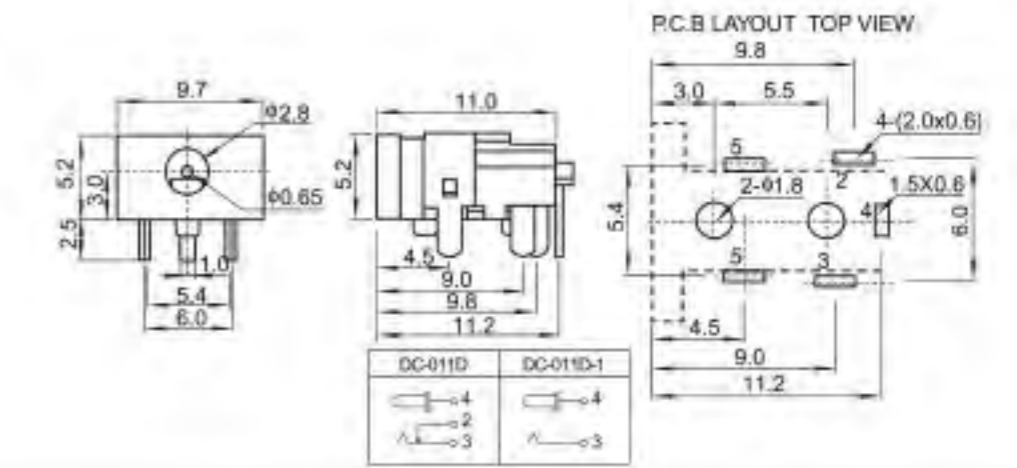
DC-00070



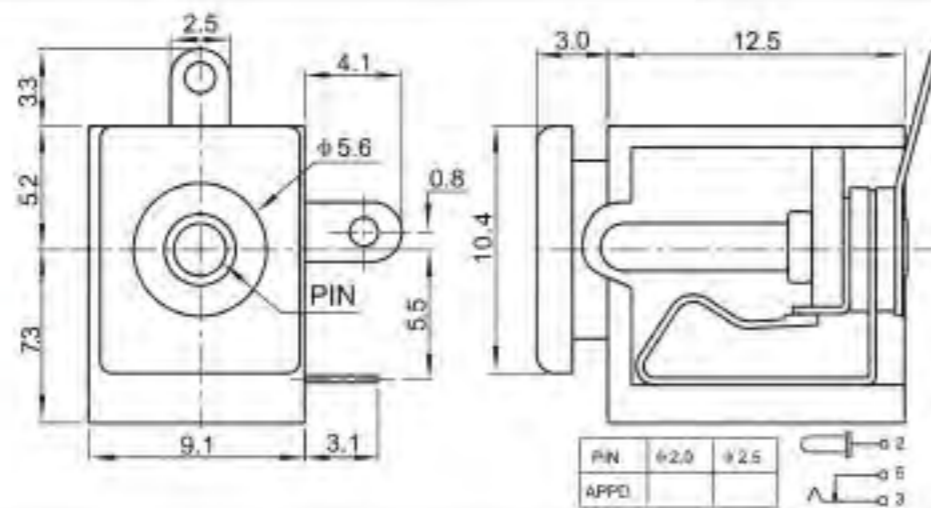
DC-0011A



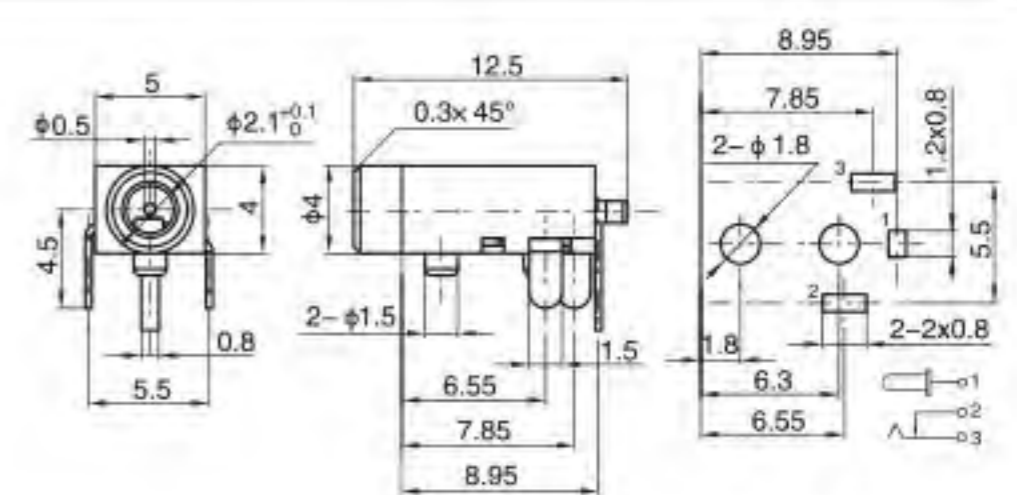
DC-00080



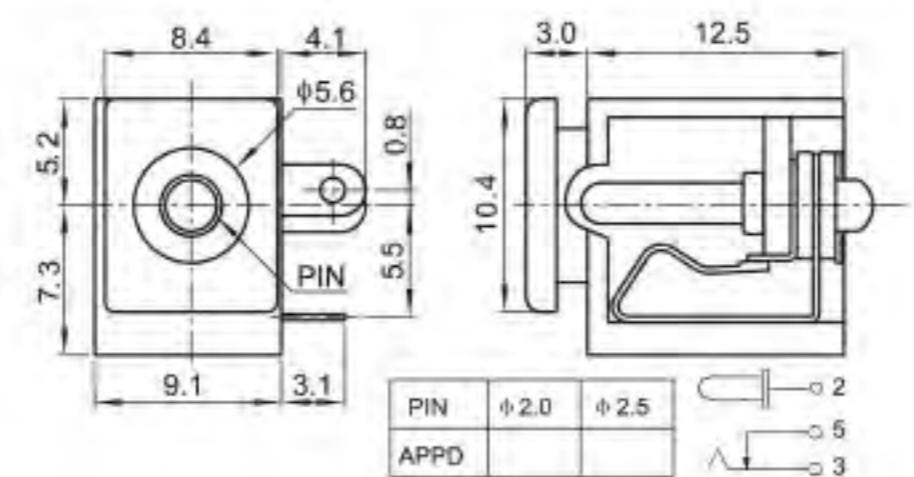
DC-0011D



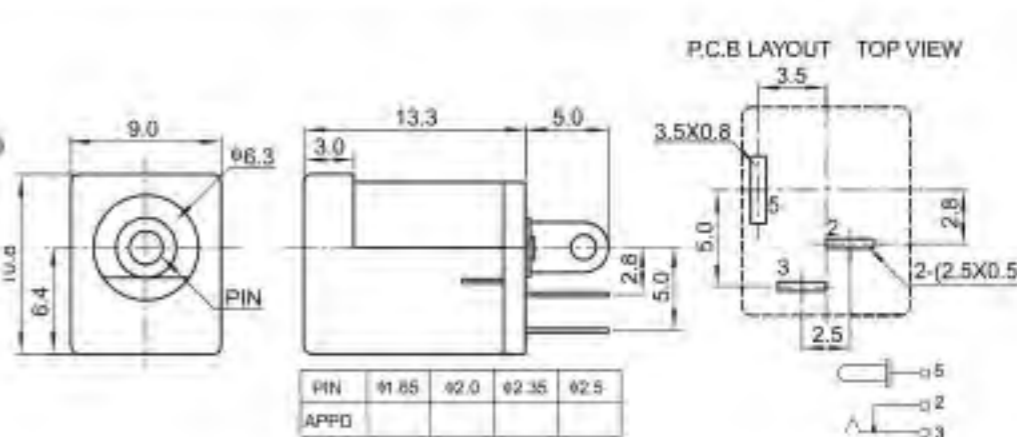
DC-00090



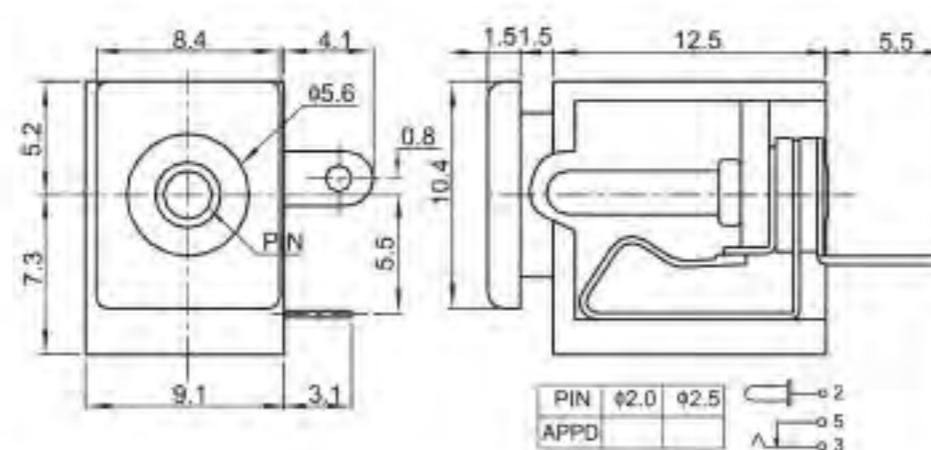
DC-0011F



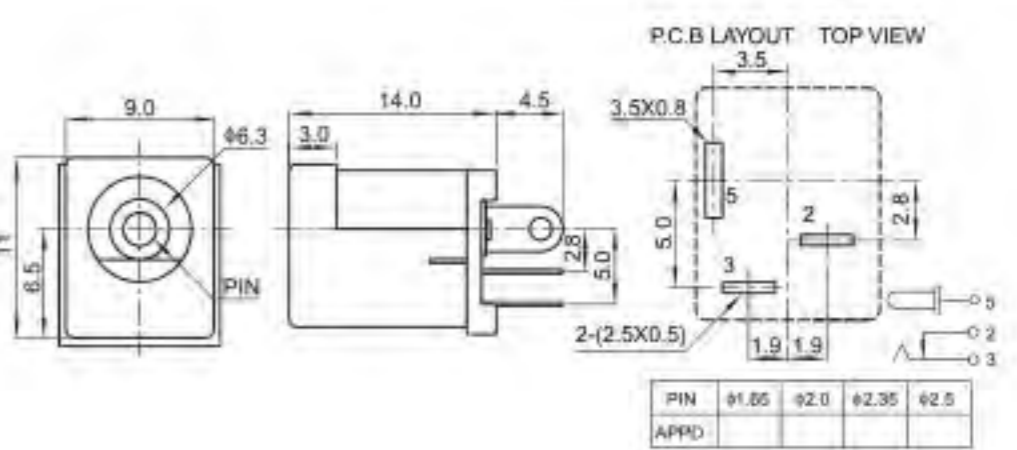
DC-0009A



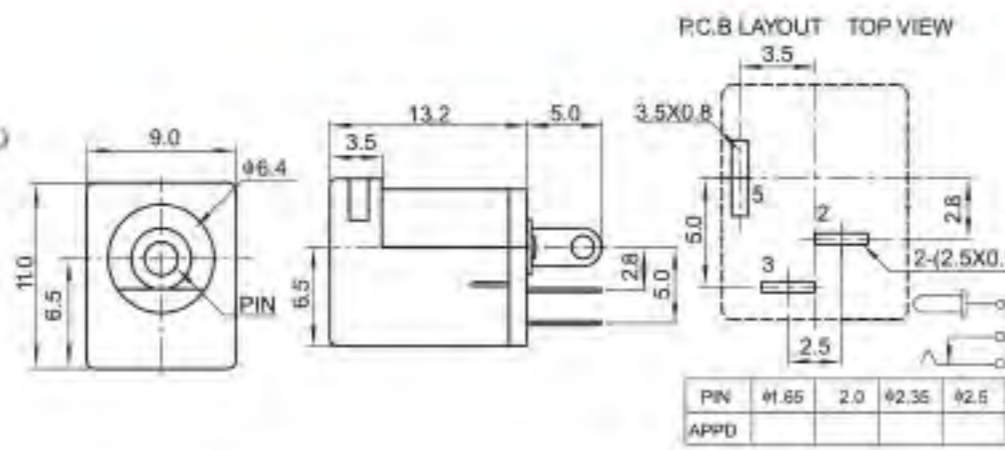
DC-00120



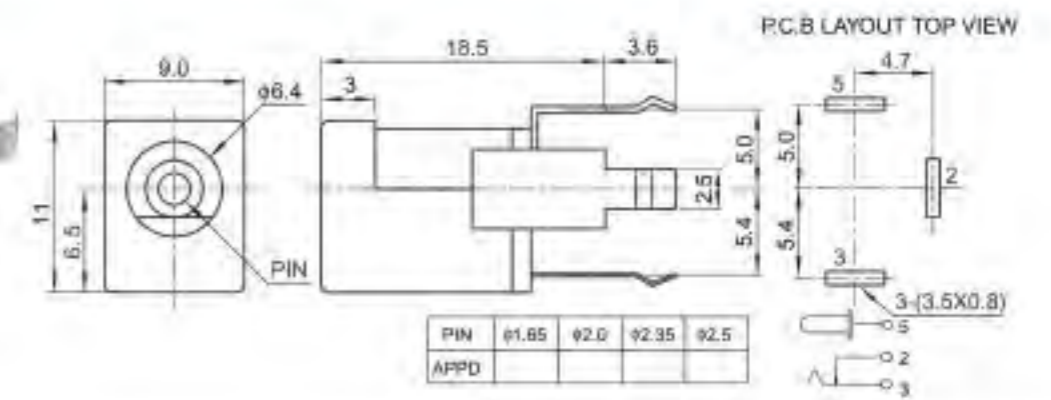
DC-0009C



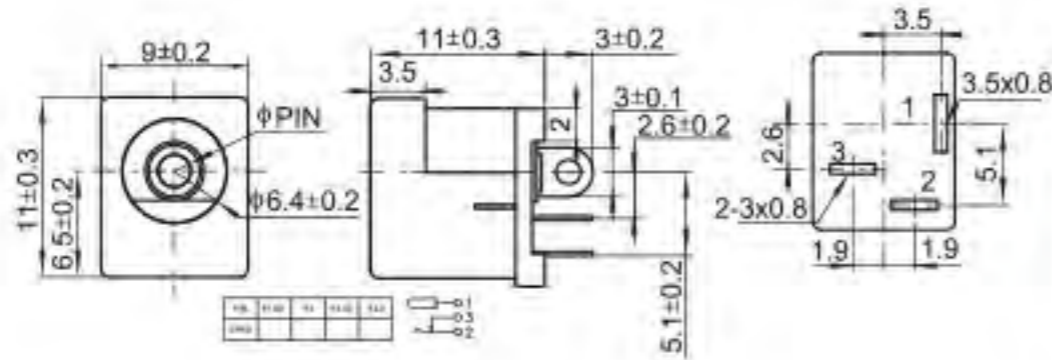
DC-0012A



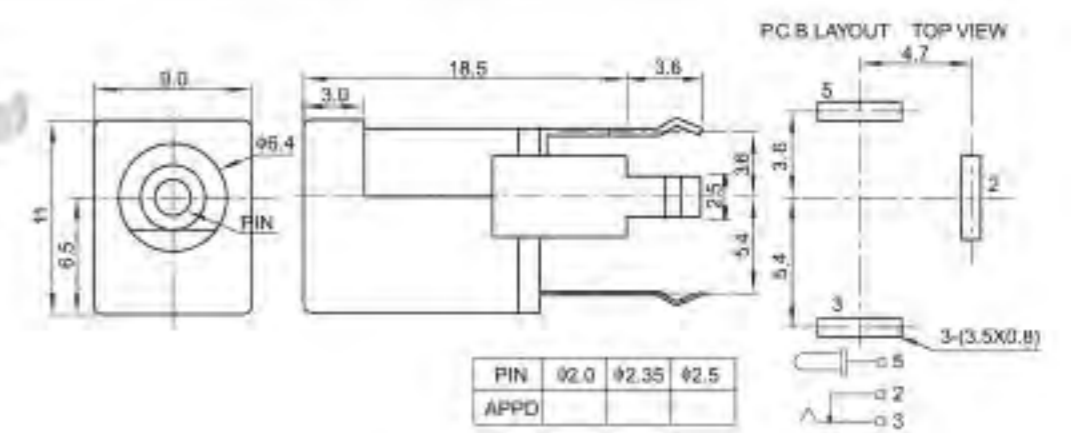
DC-0012B



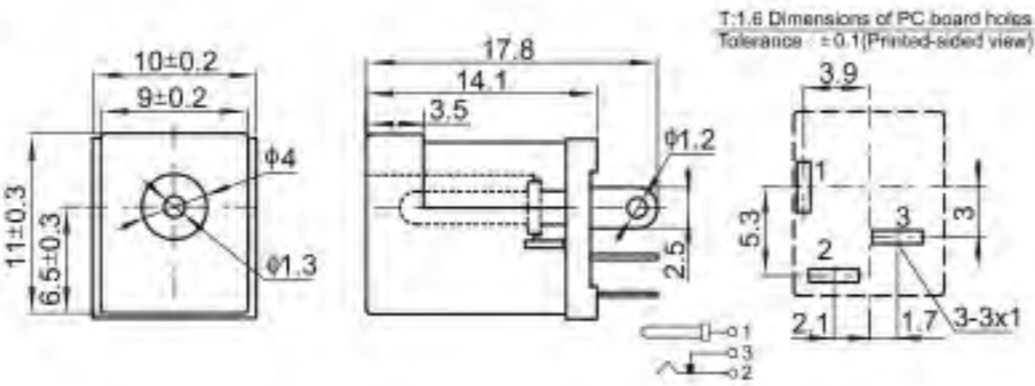
DC-00140



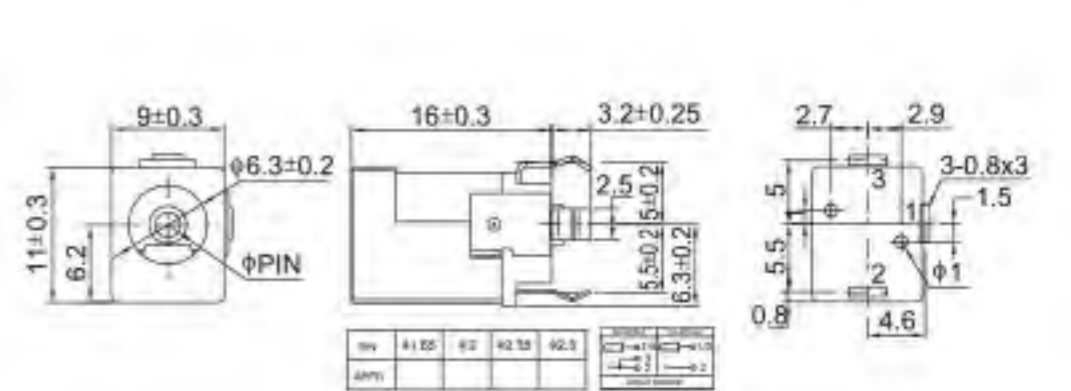
DC-0012D



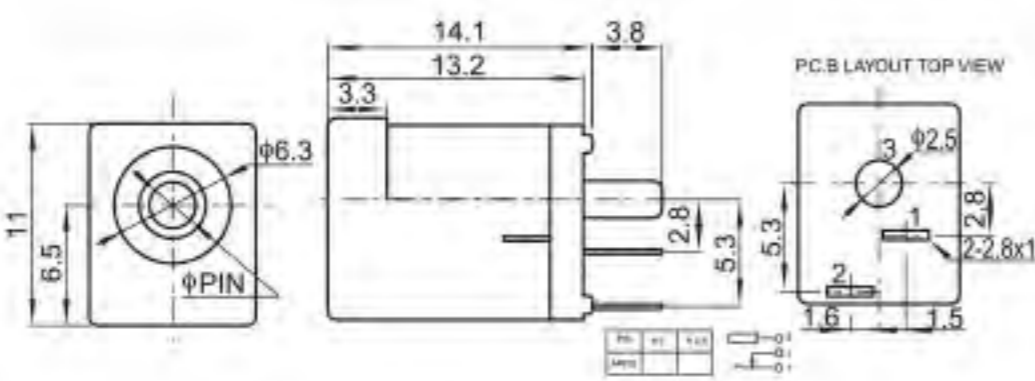
DC-0014A



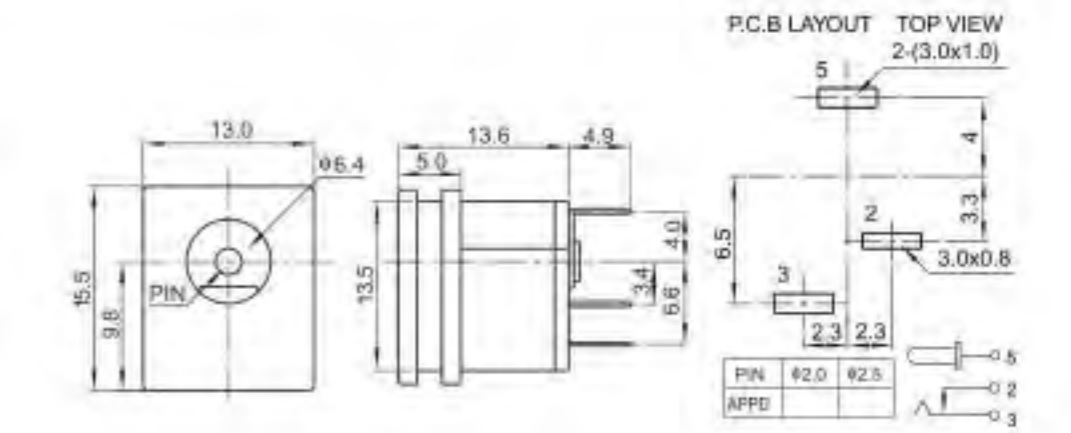
DC-0012K



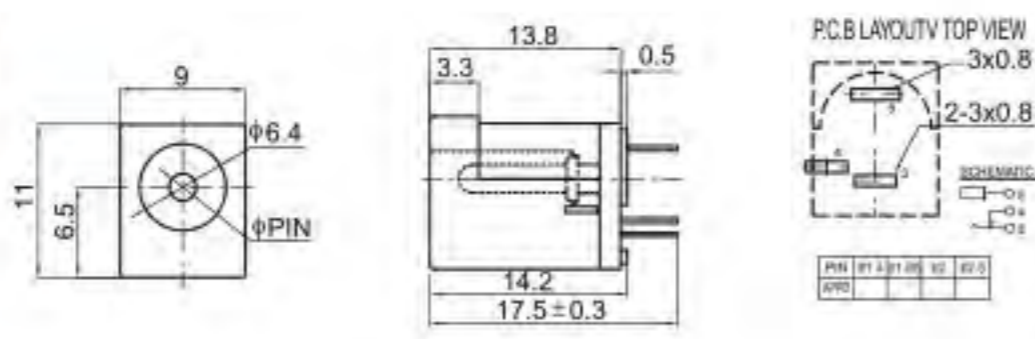
DC-0014T



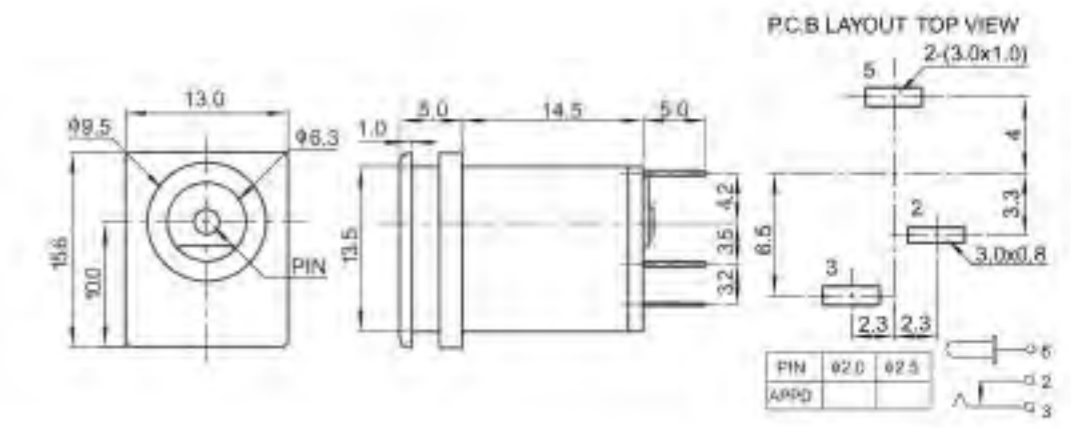
DC-0012T



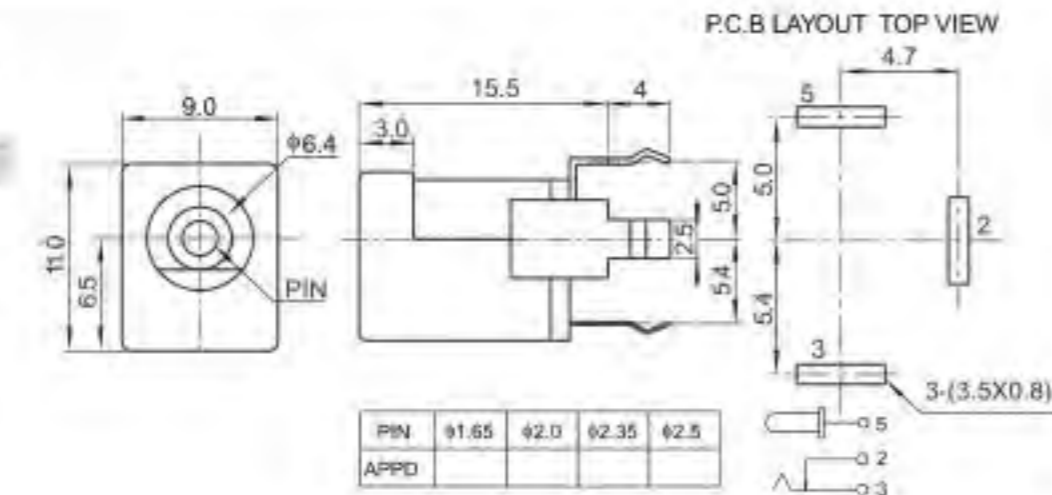
DC-00150



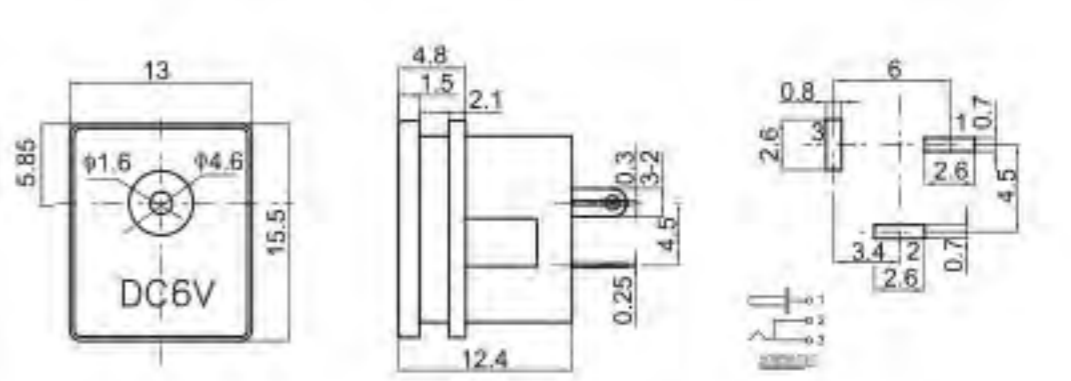
DC-0012X



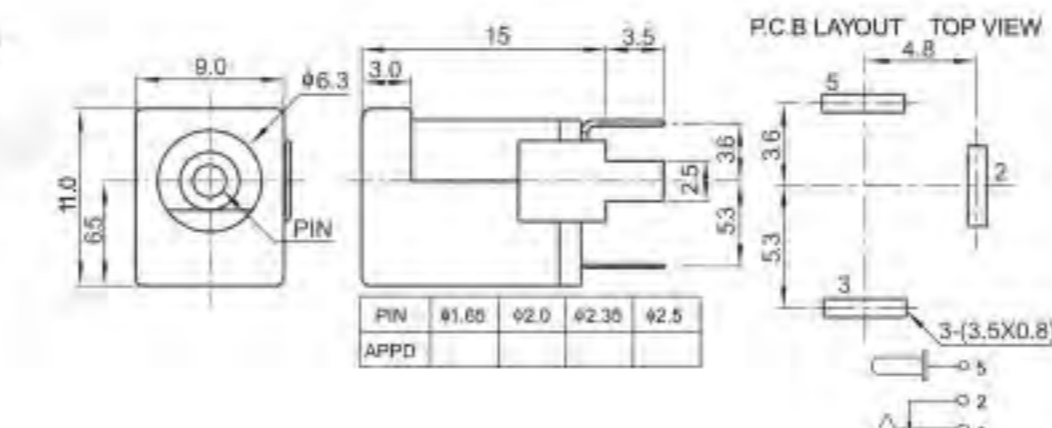
DC-0015A



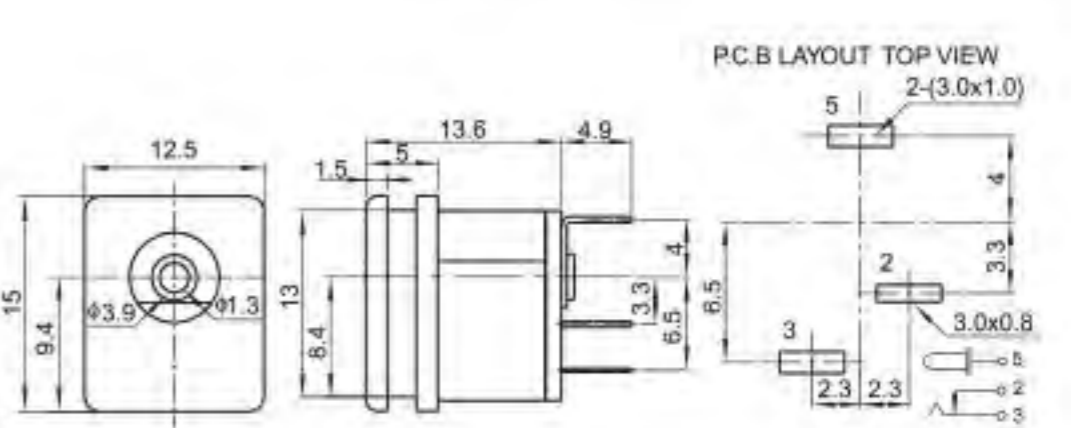
DC-00130



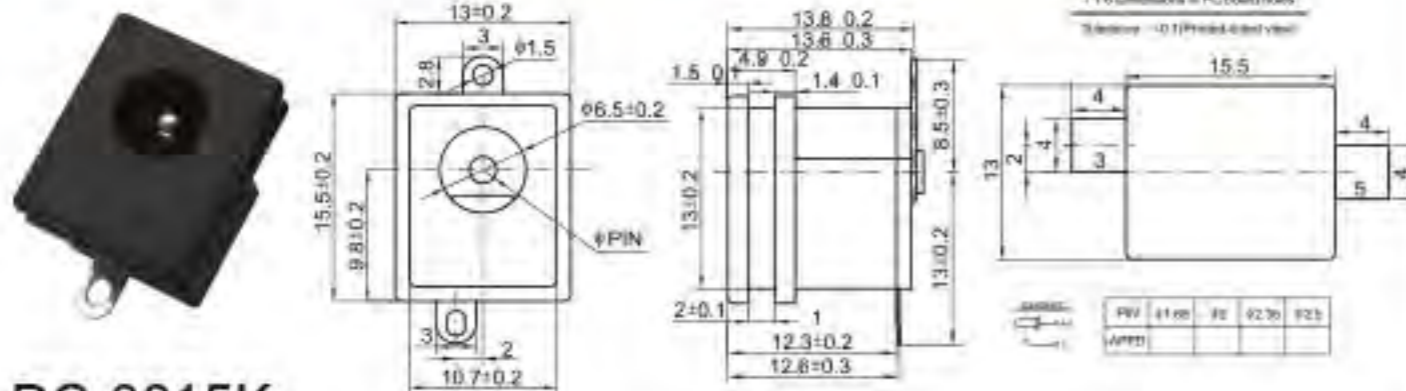
DC-0015B



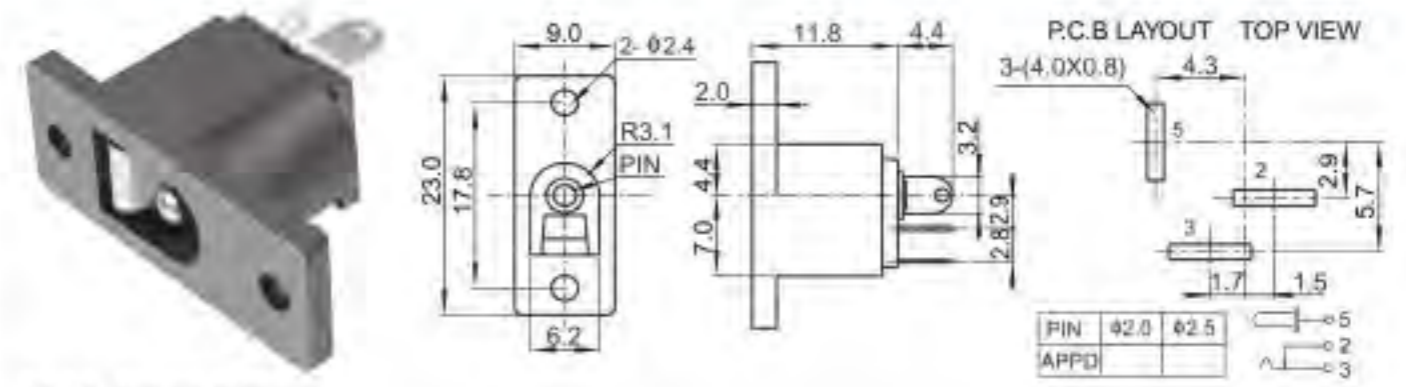
DC-0013A



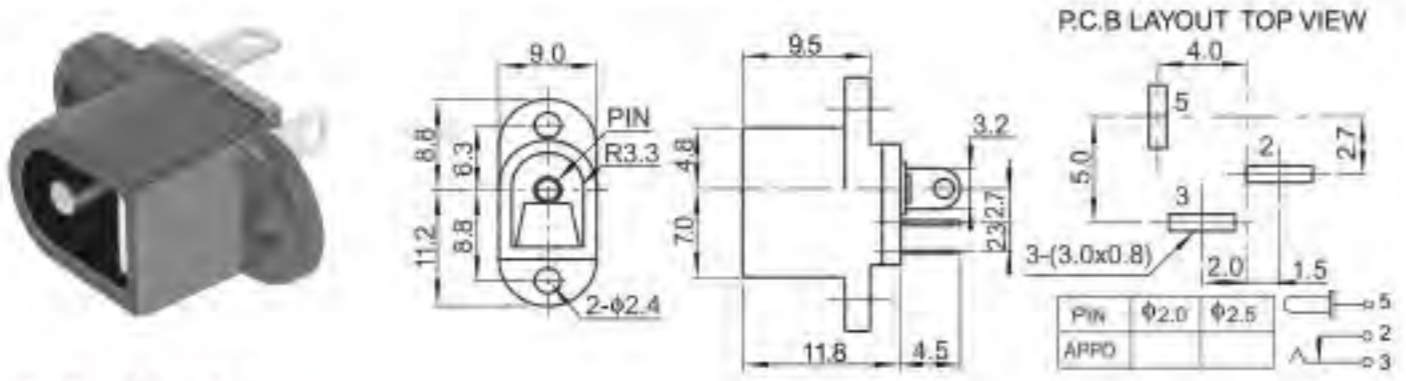
DC-0015C



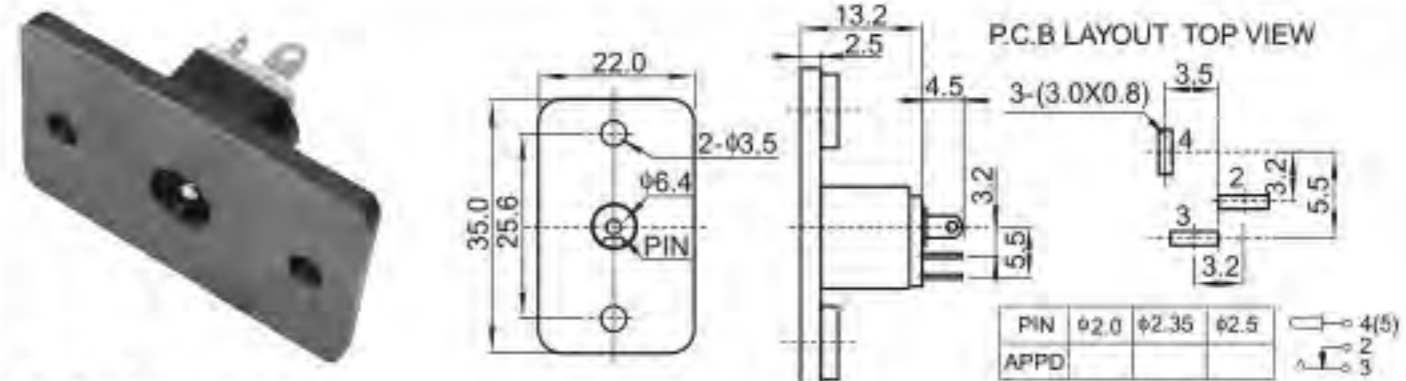
DC-0015K



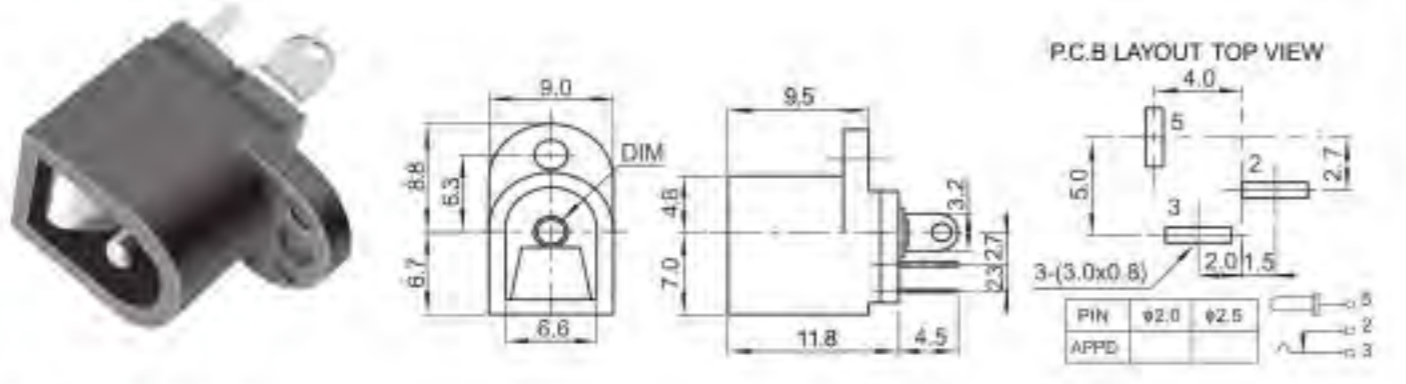
DC-00190



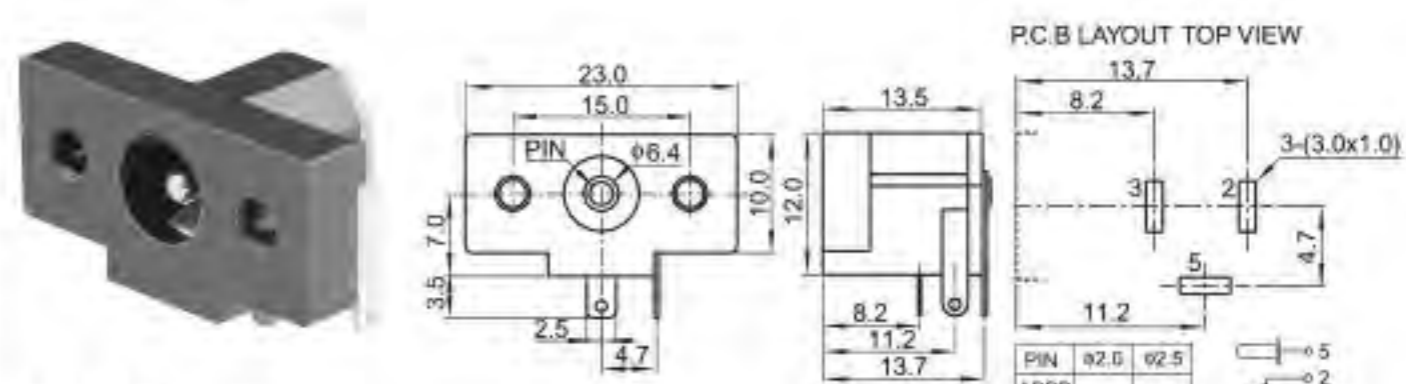
DC-00160



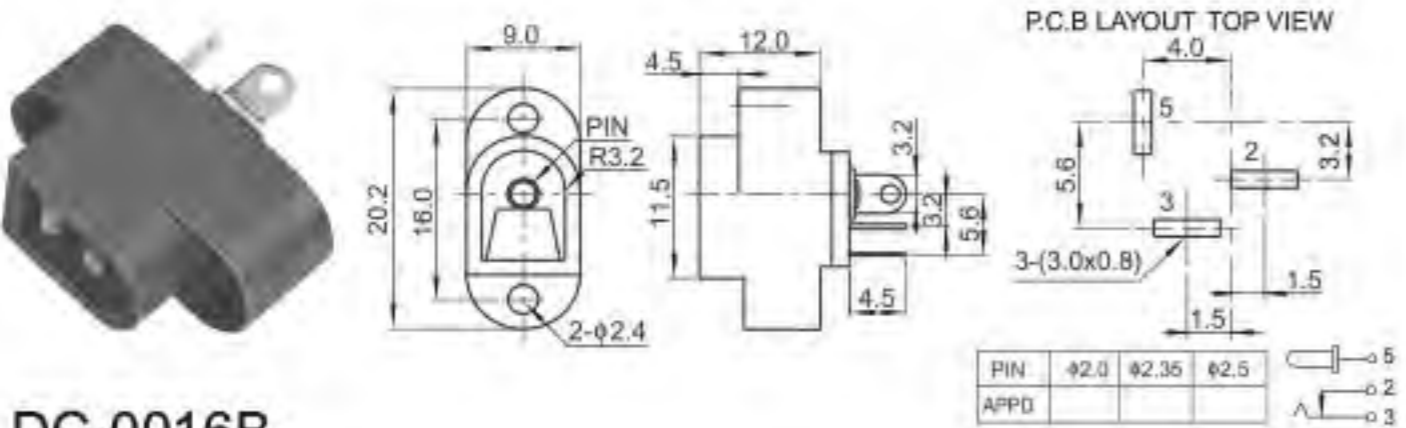
DC-0019A



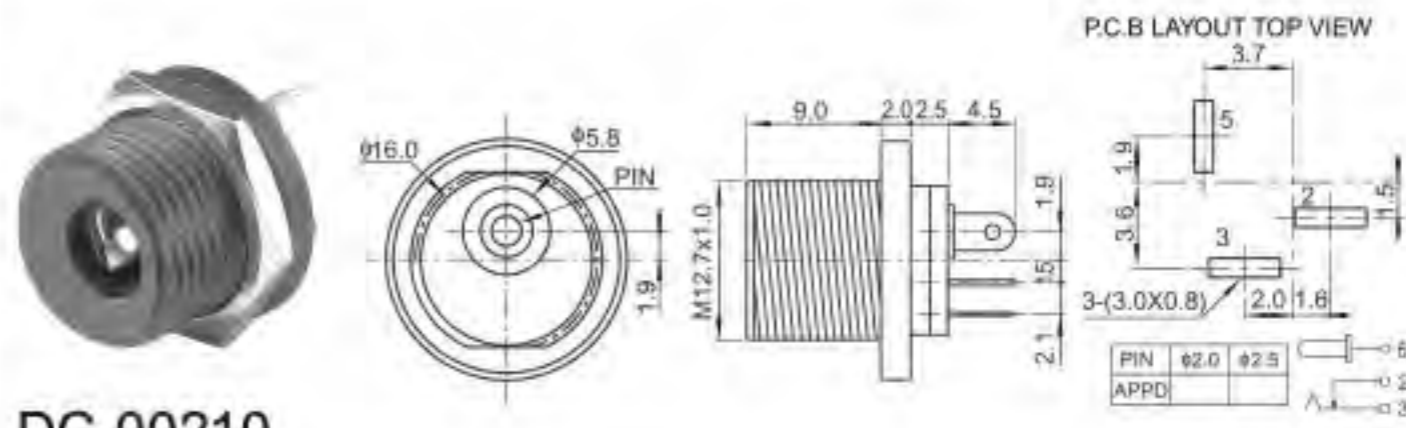
DC-0016A



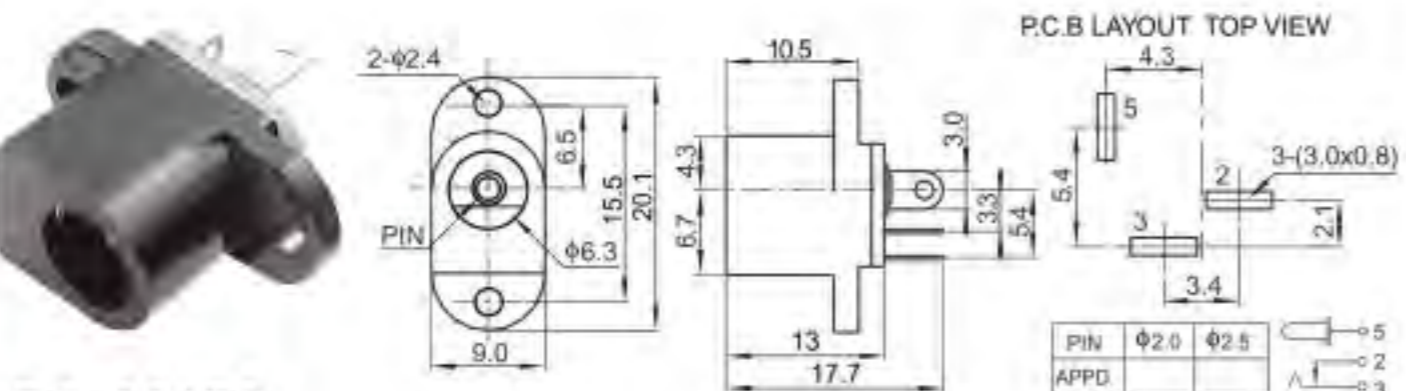
DC-00200



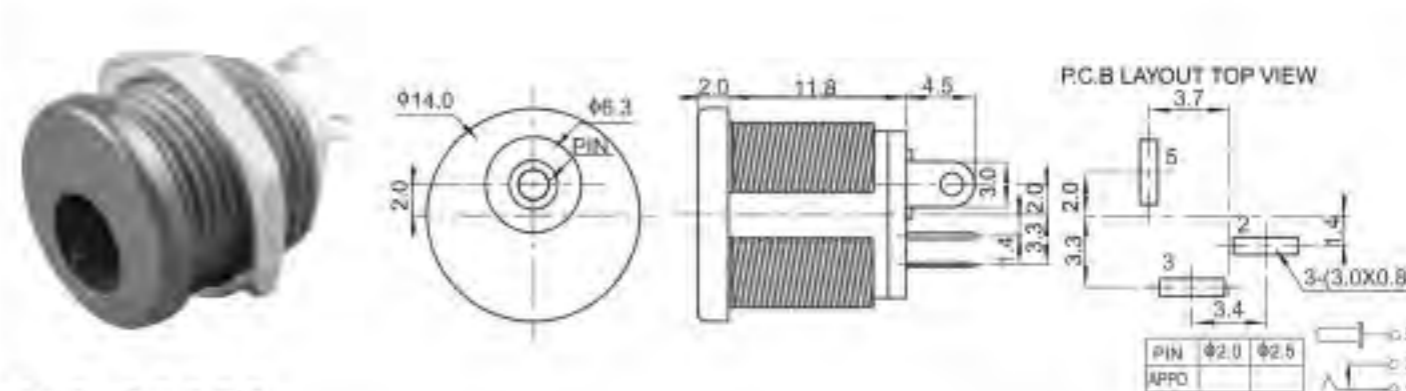
DC-0016B



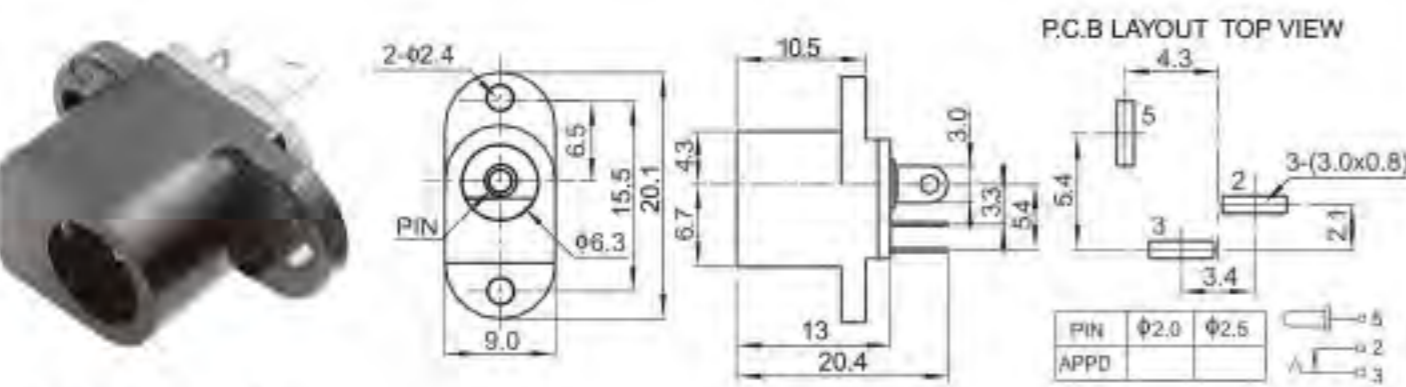
DC-00210



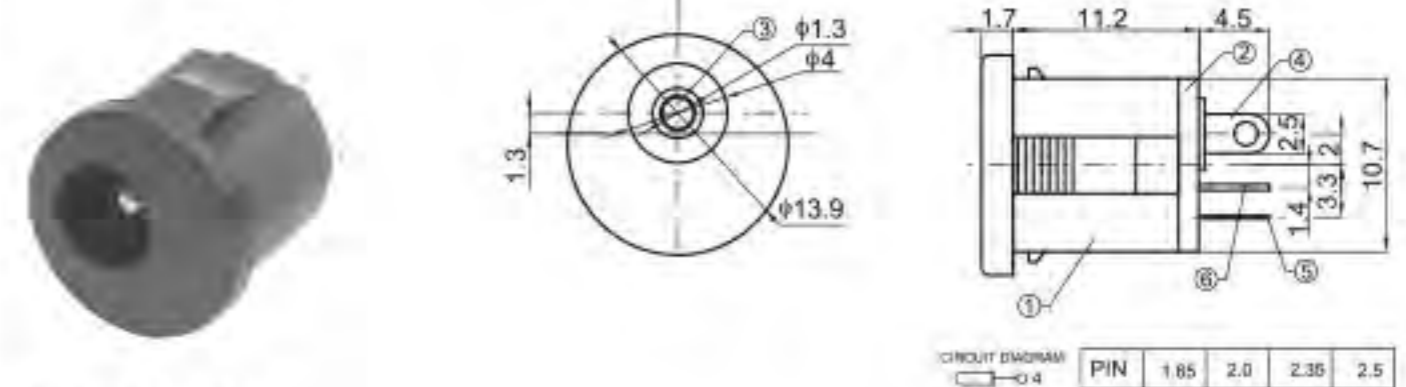
DC-00170



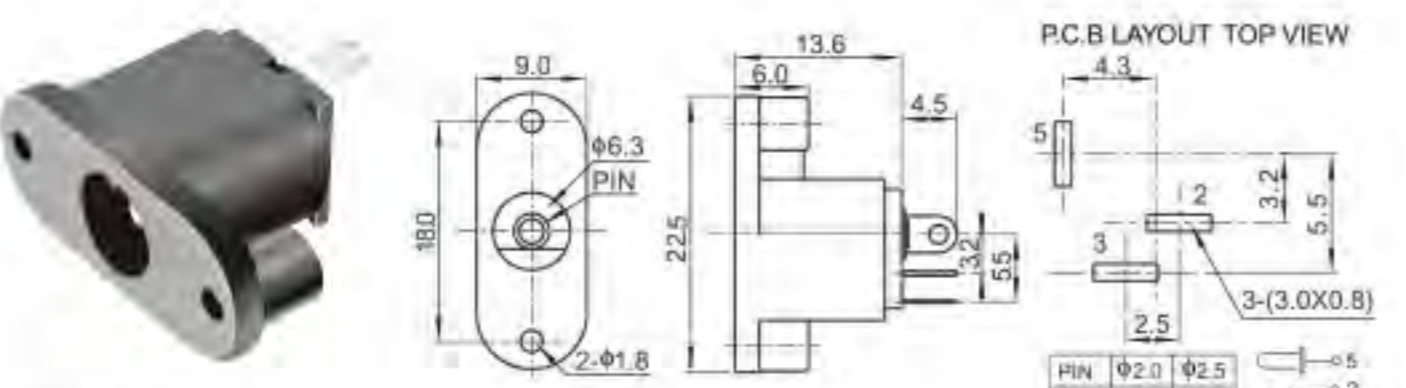
DC-00220



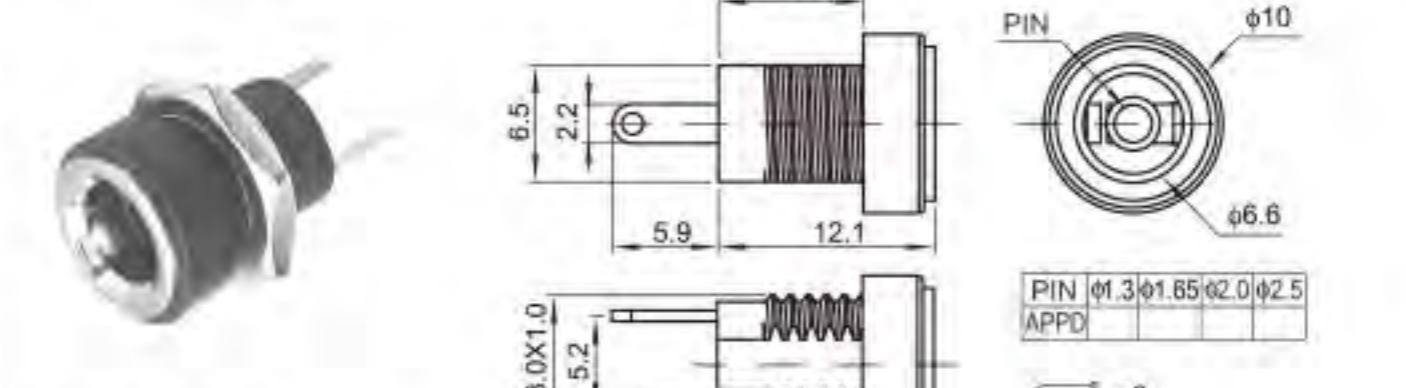
DC-0017C



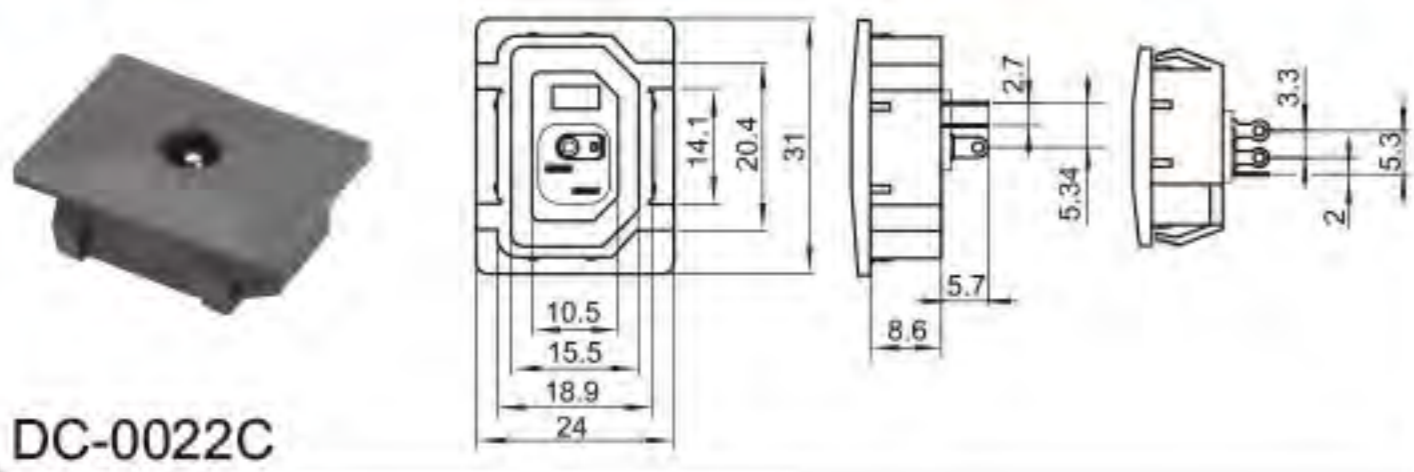
DC-0022A



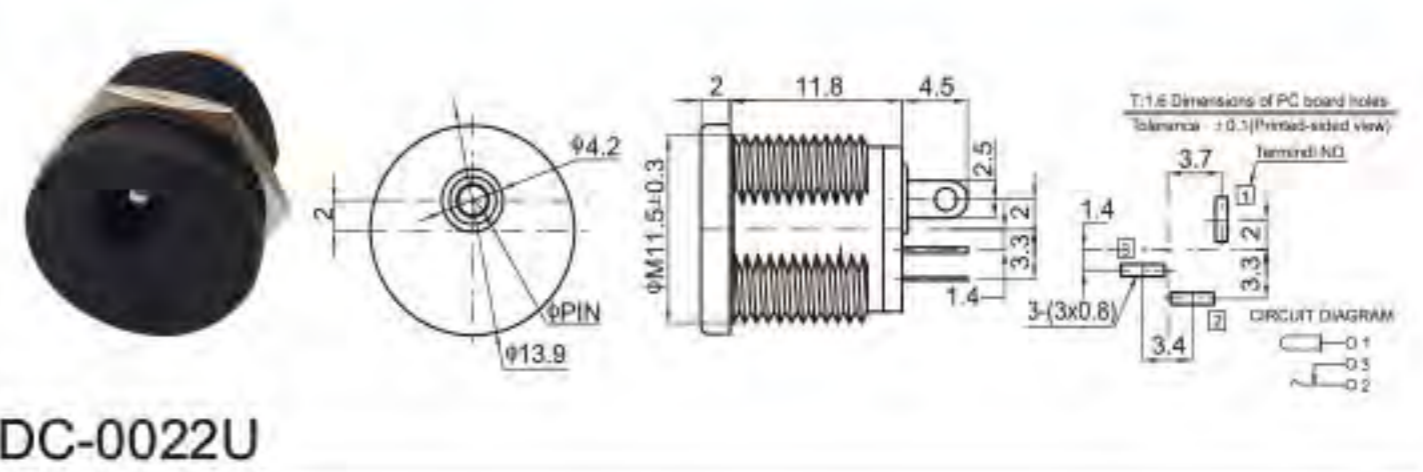
DC-00180



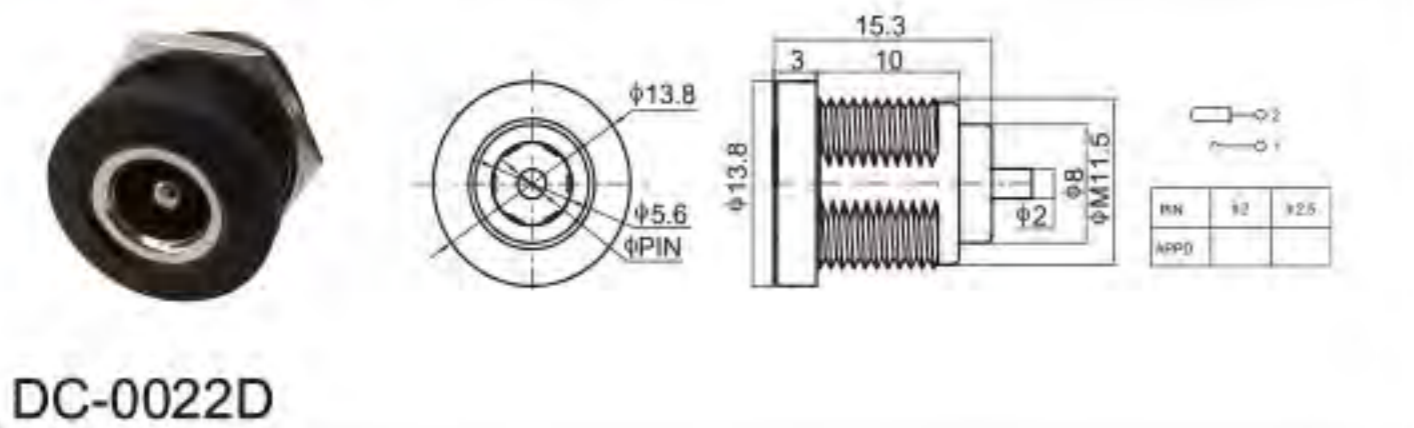
DC-0022B



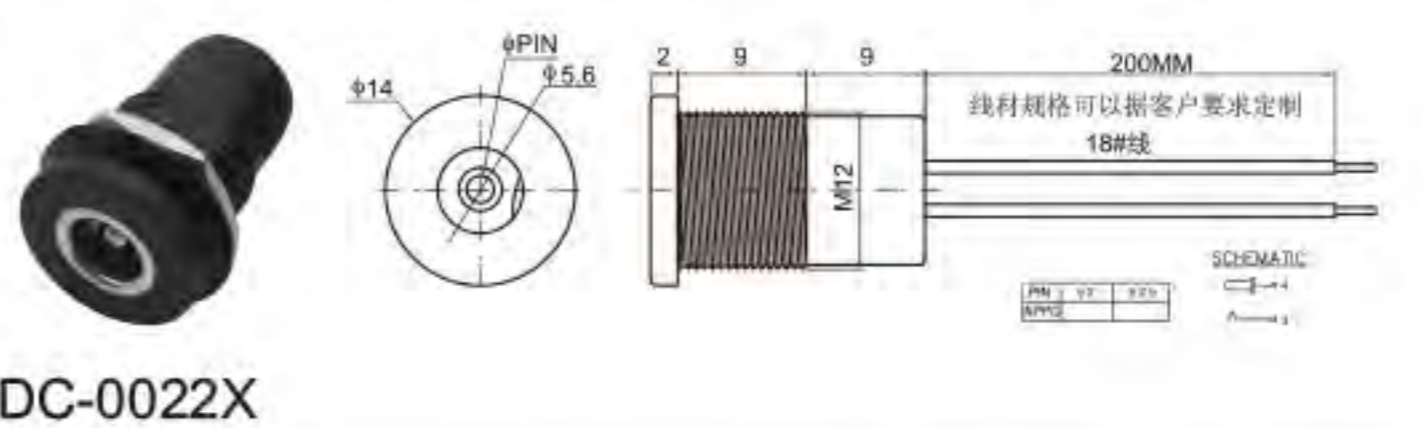
DC-0022C



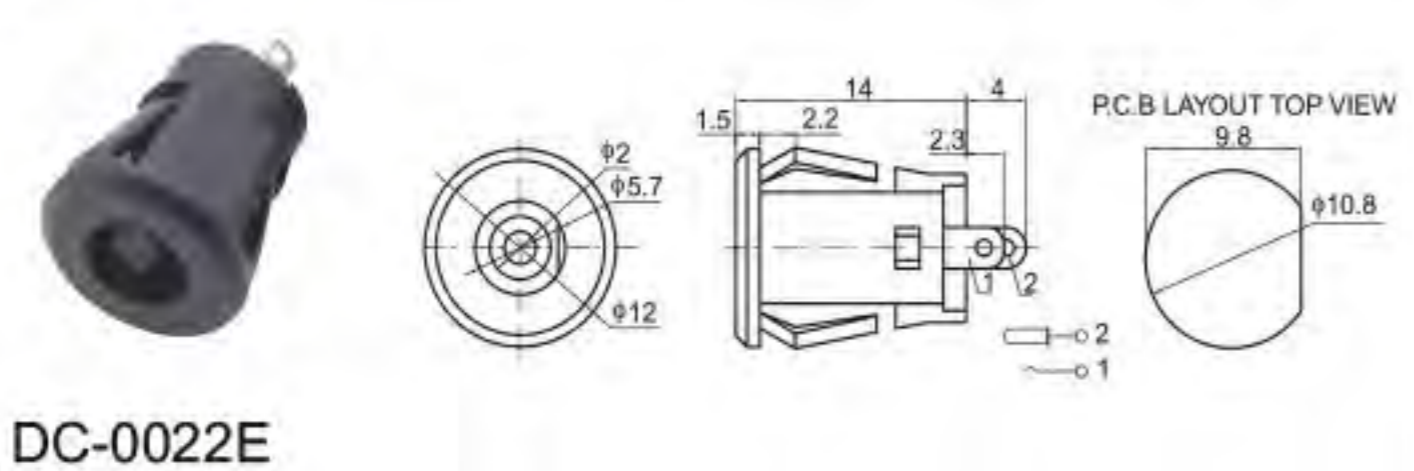
DC-0022U



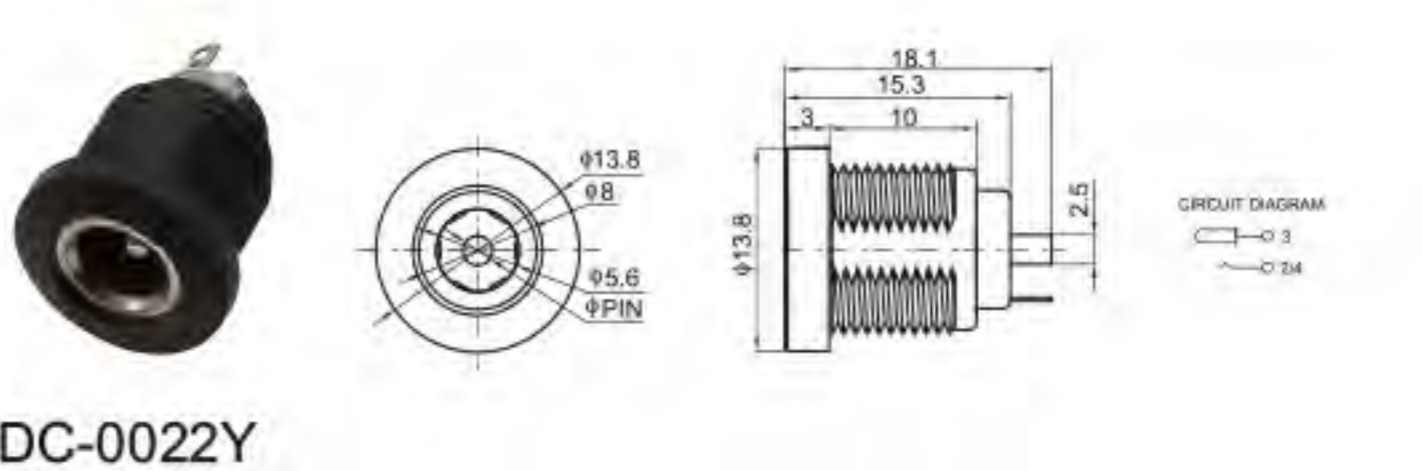
DC-0022D



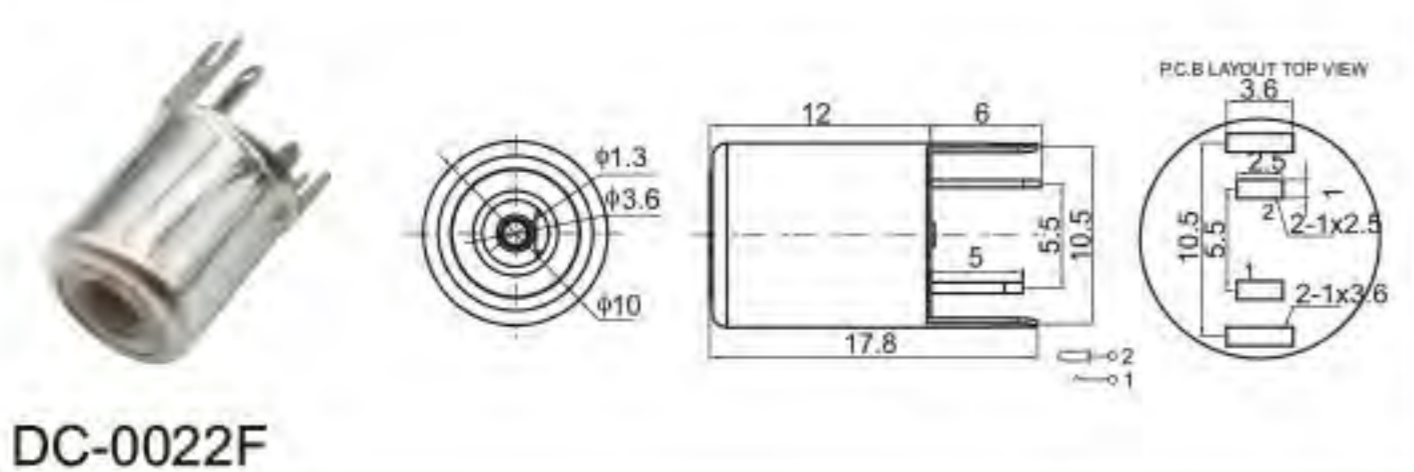
DC-0022X



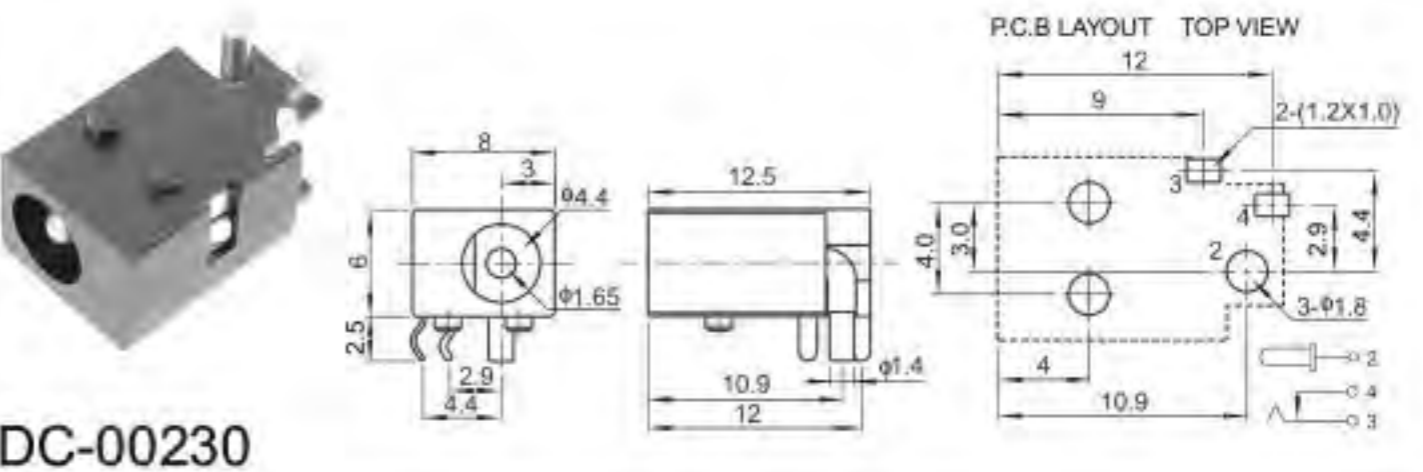
DC-0022E



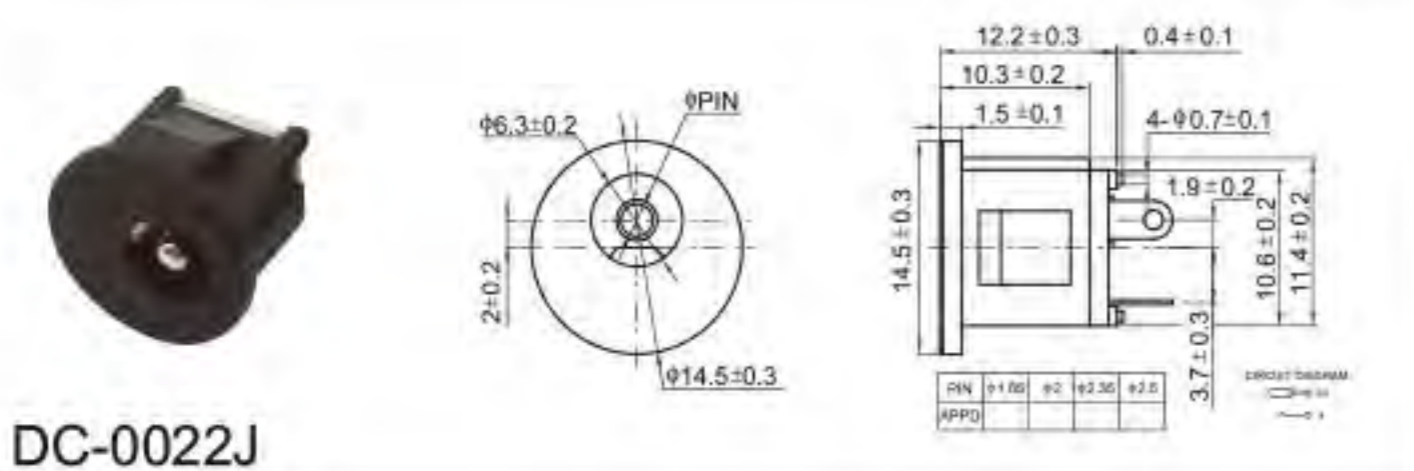
DC-0022Y



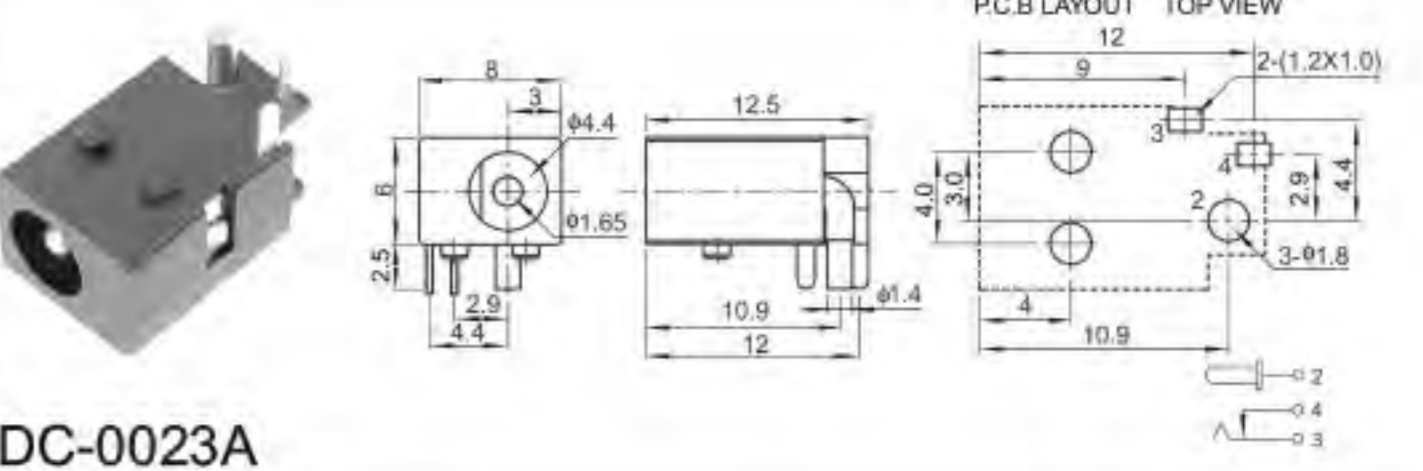
DC-0022F



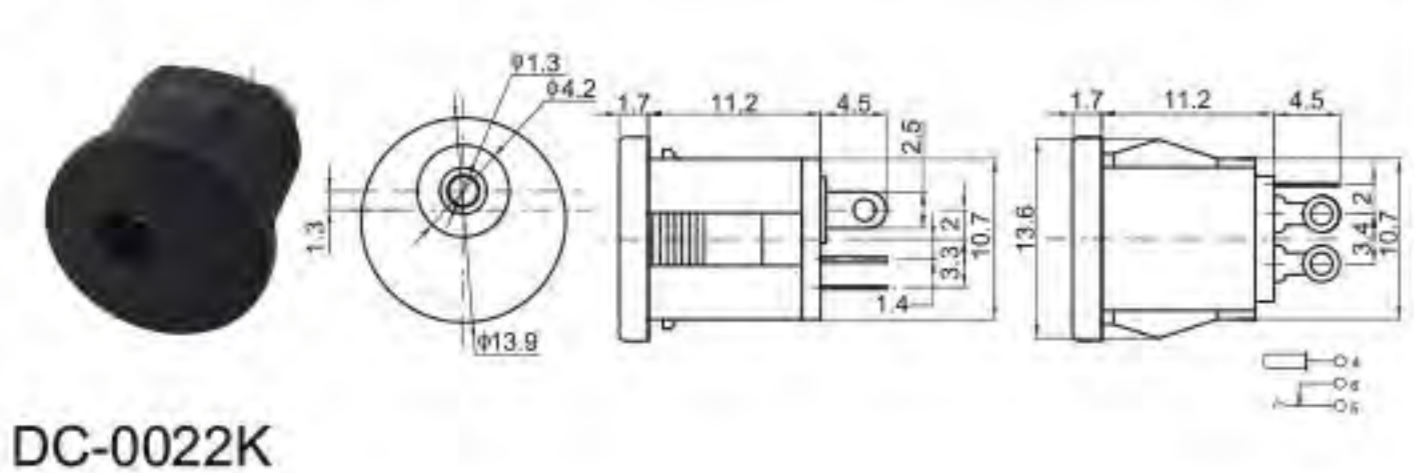
DC-00230



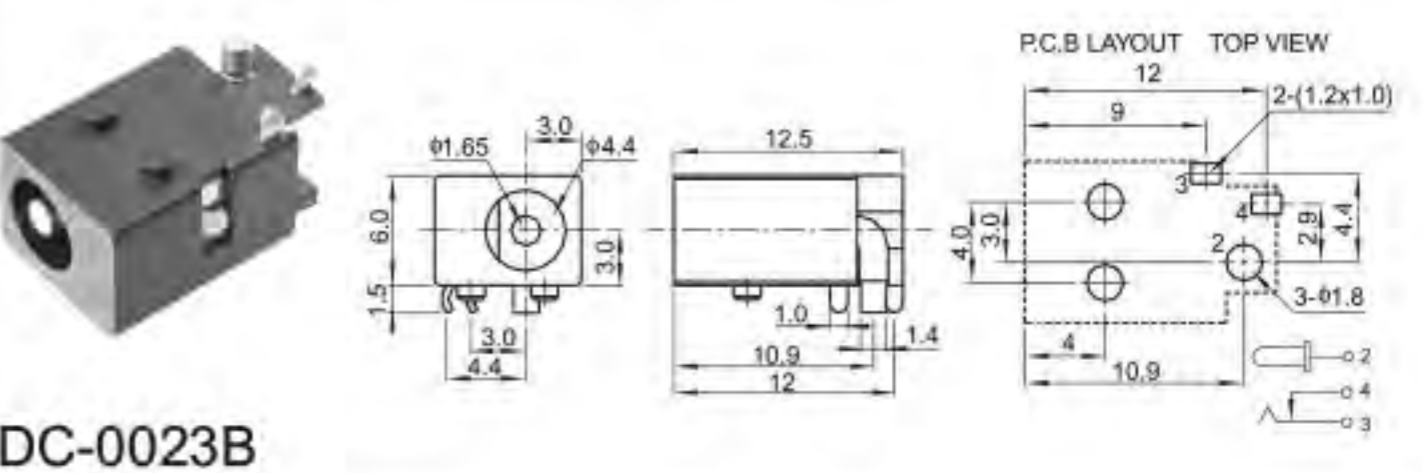
DC-0022J



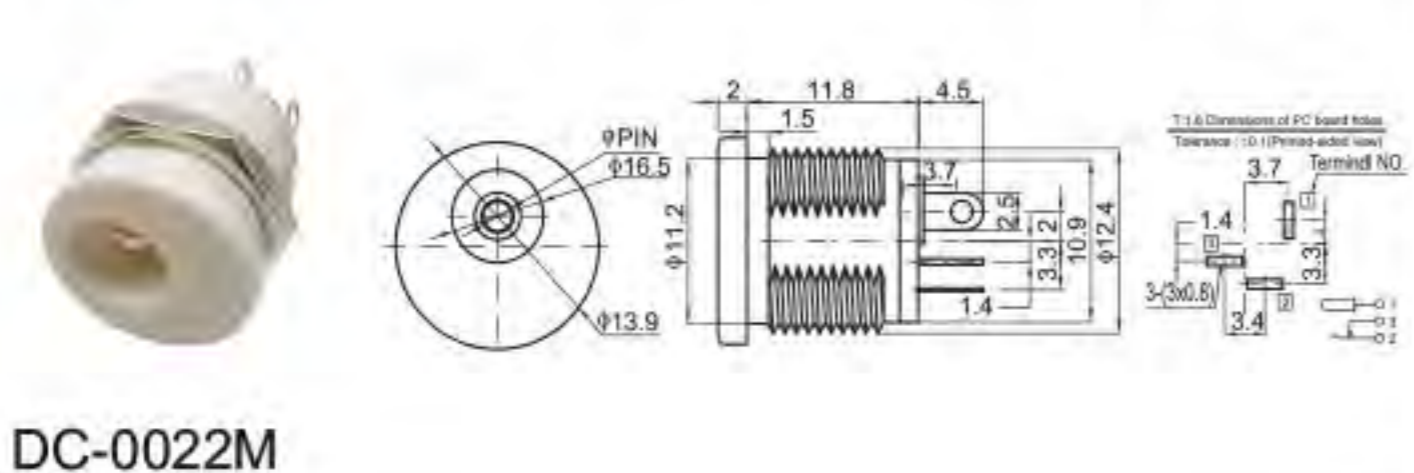
DC-0023A



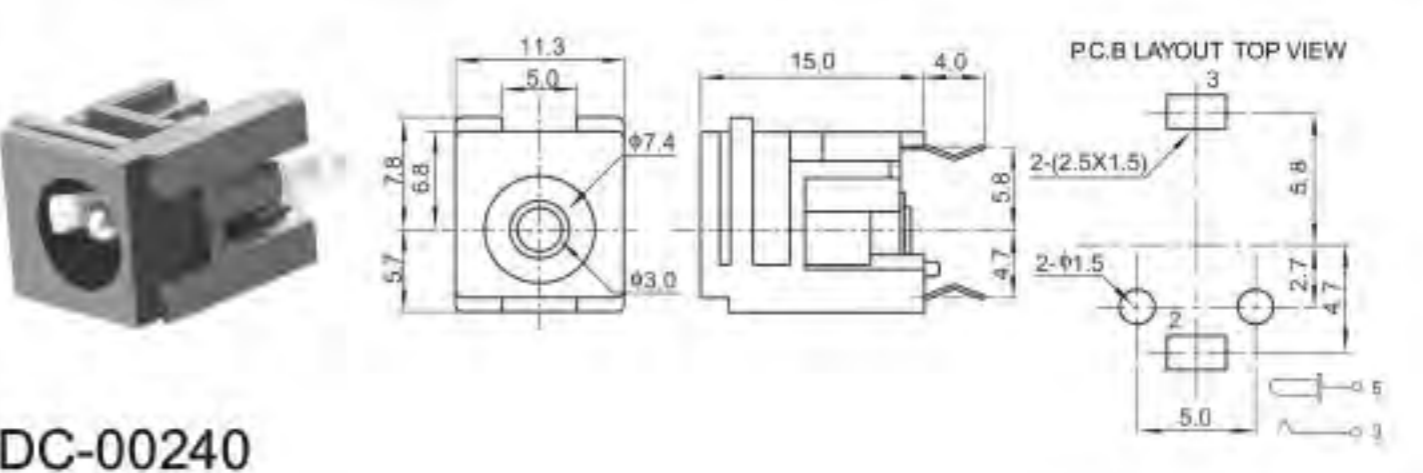
DC-0022K



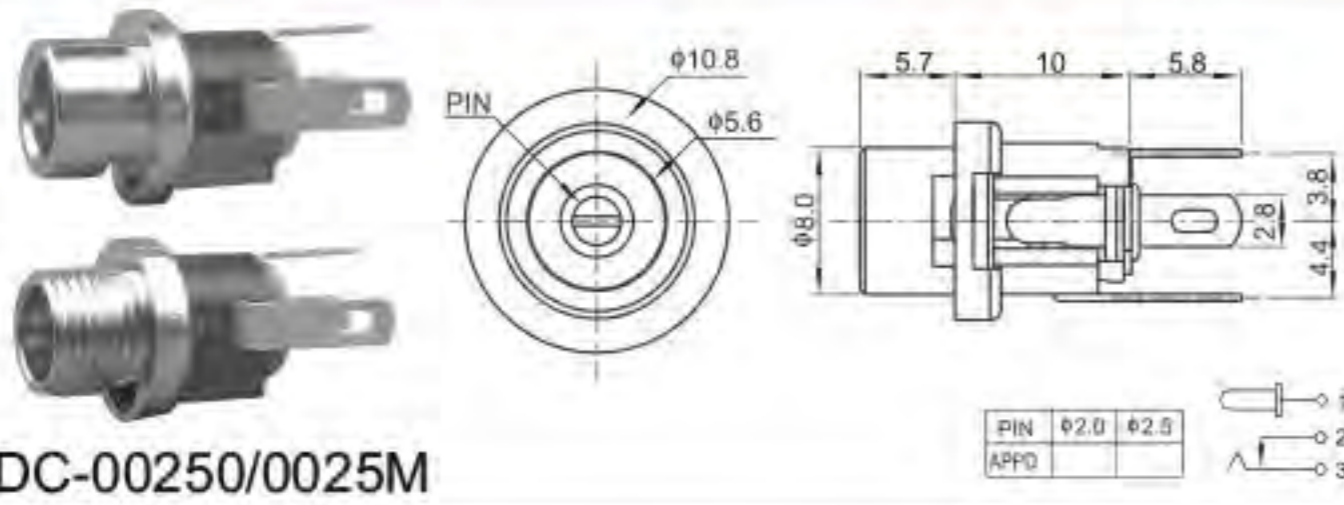
DC-0023B



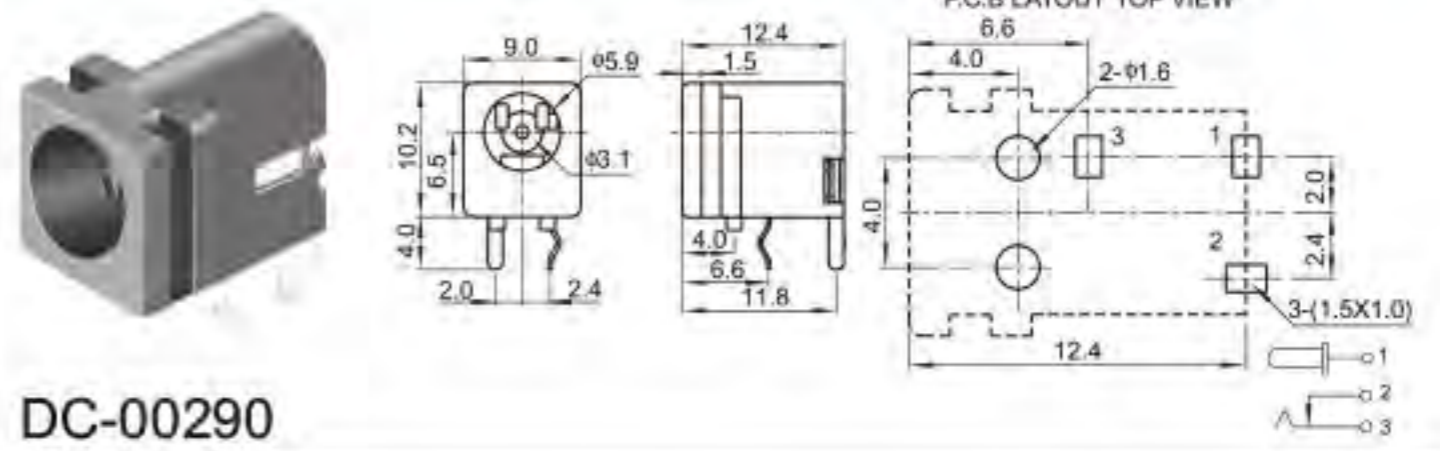
DC-0022M



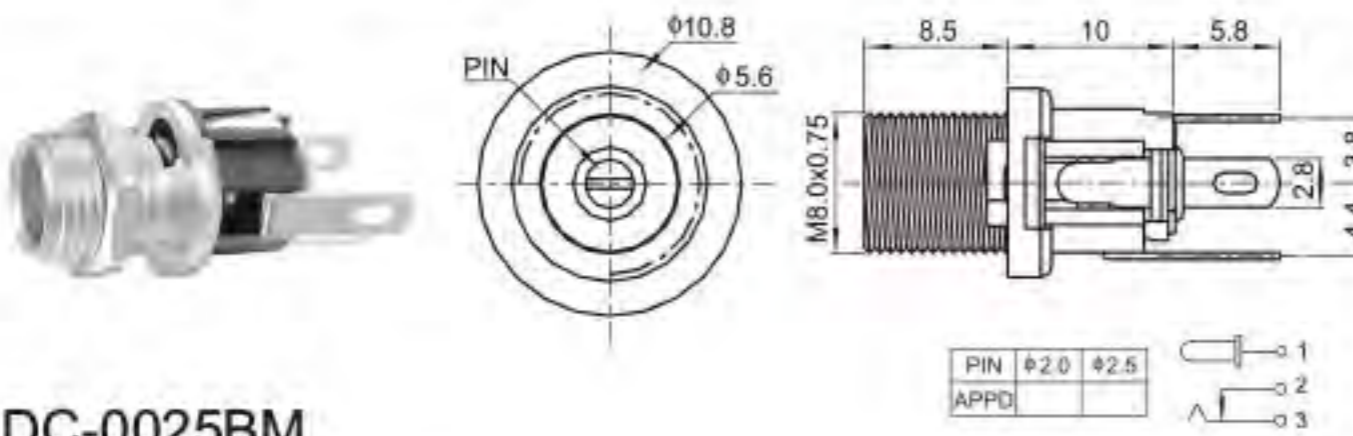
DC-00240



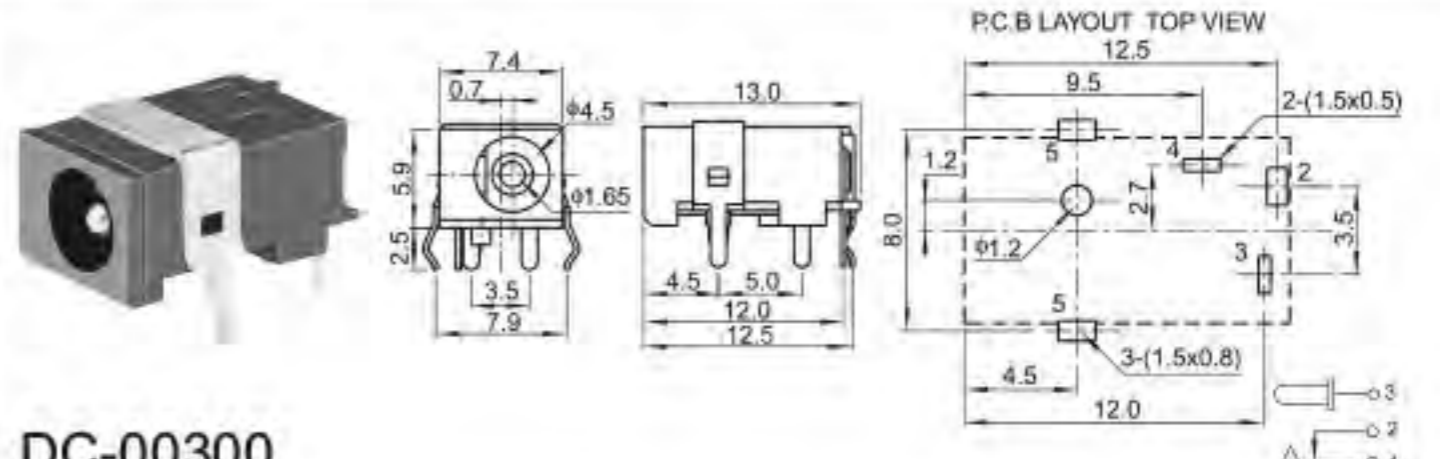
DC-00250/0025M



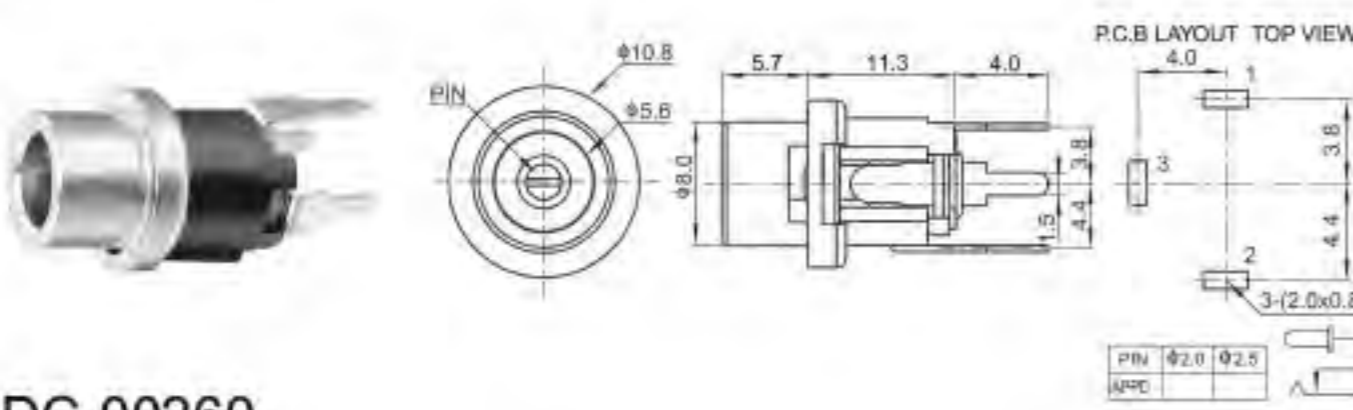
DC-00290



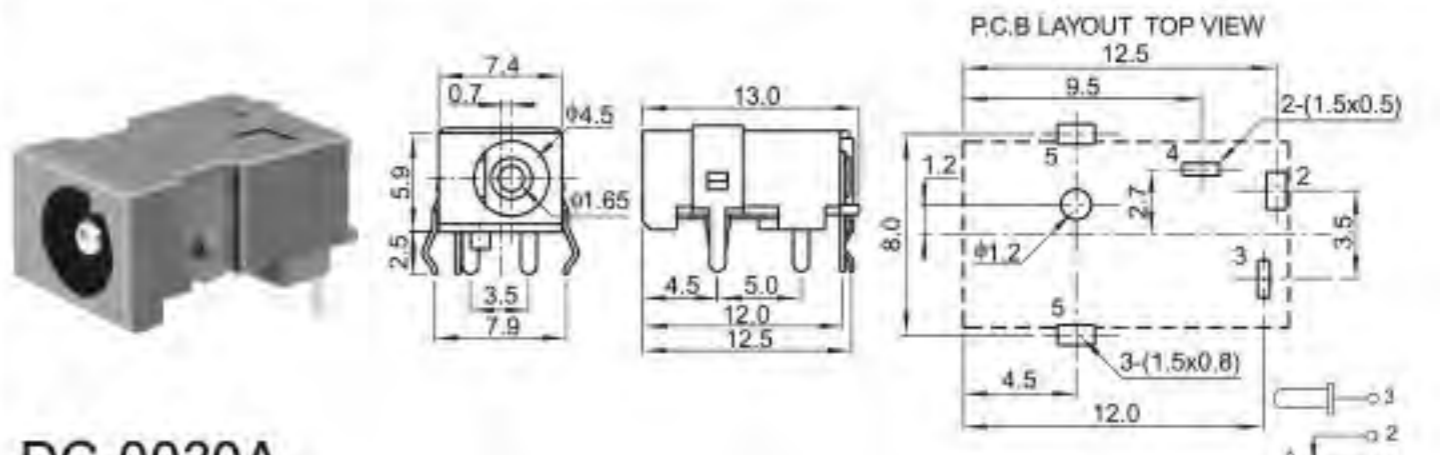
DC-0025BM



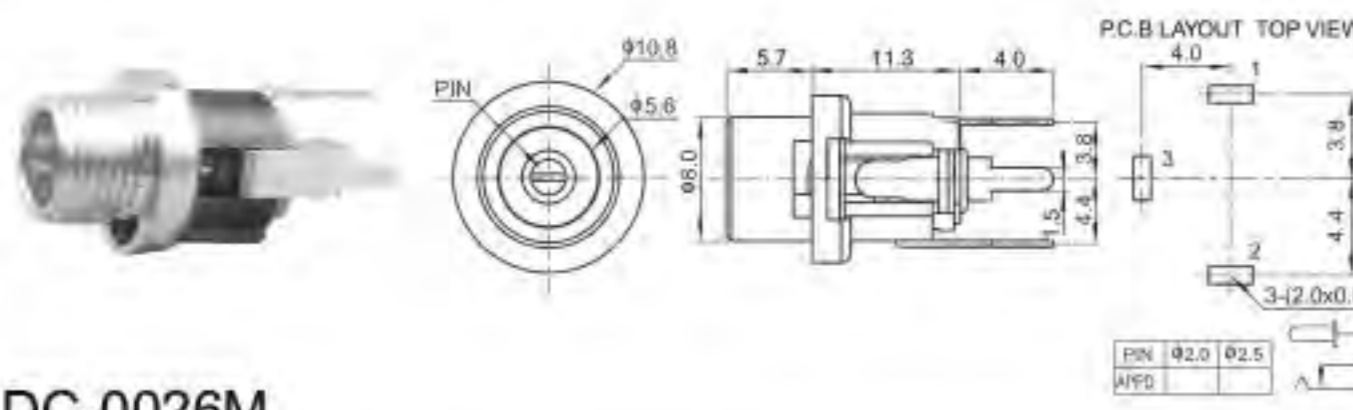
DC-00300



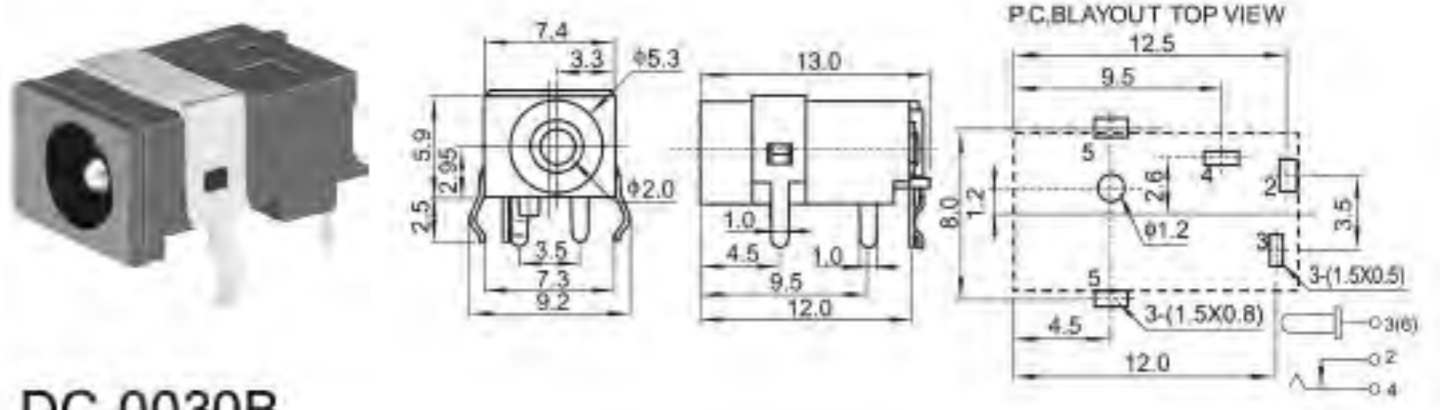
DC-00260



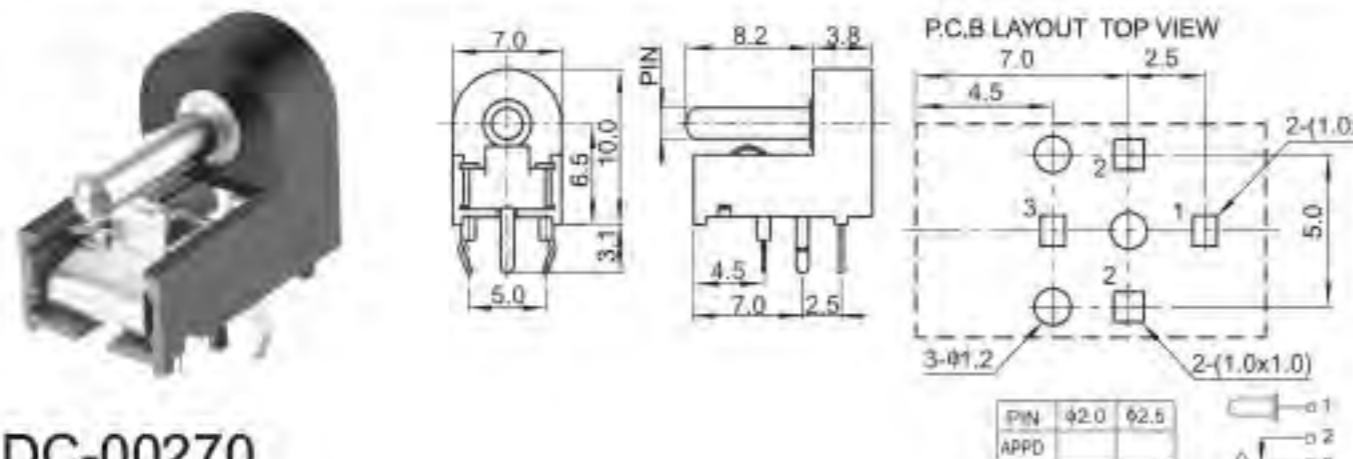
DC-0030A



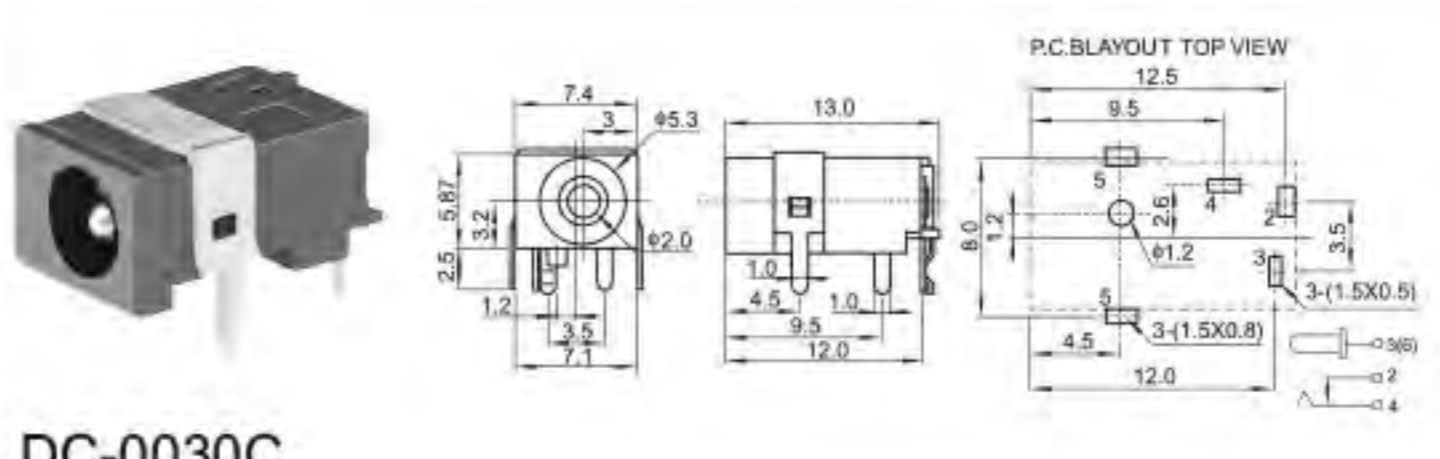
DC-0026M



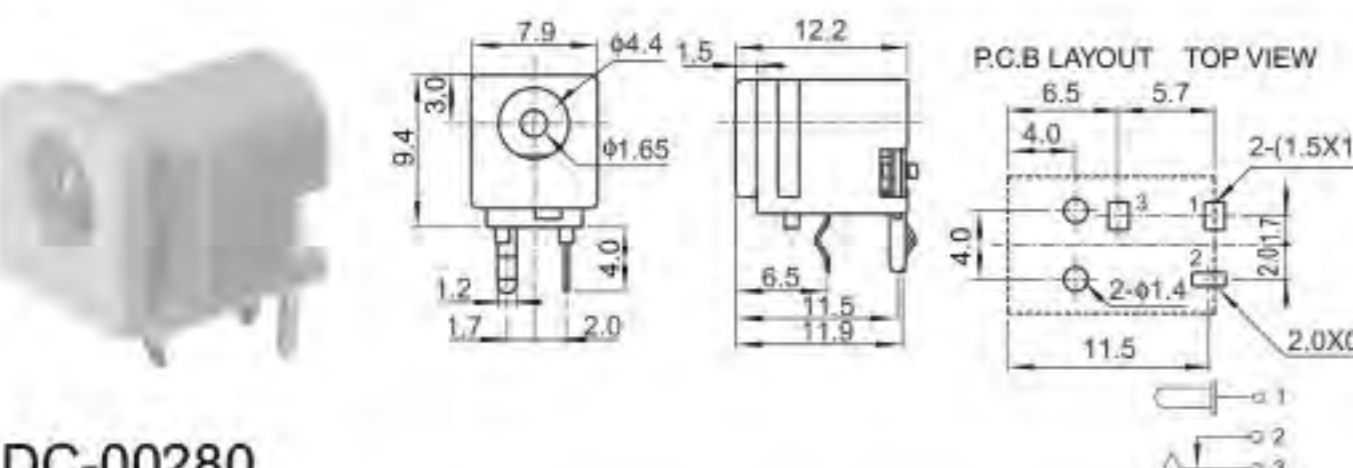
DC-0030B



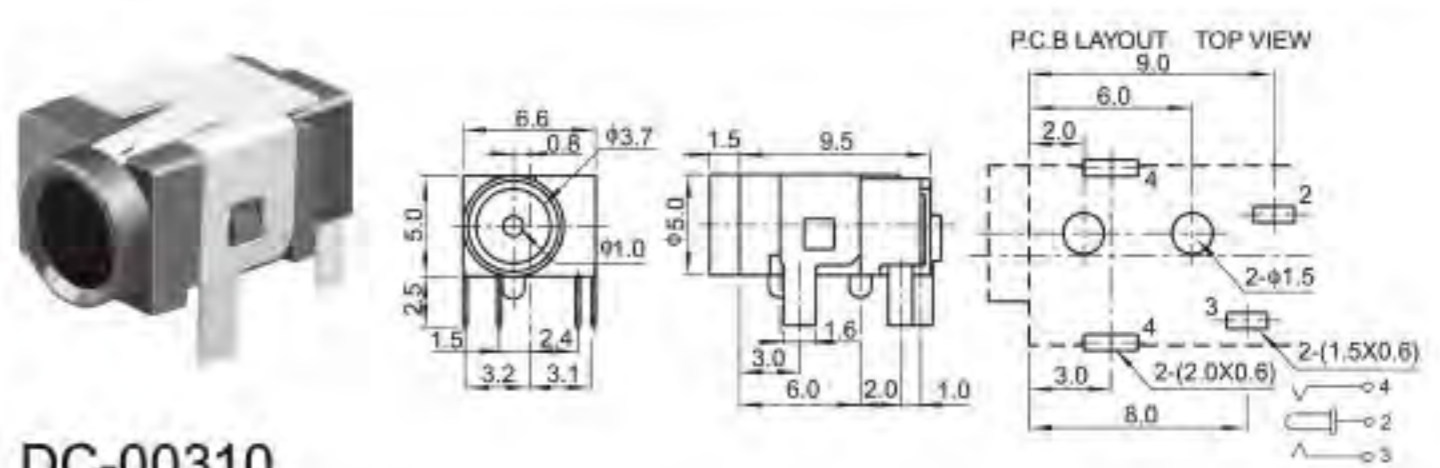
DC-00270



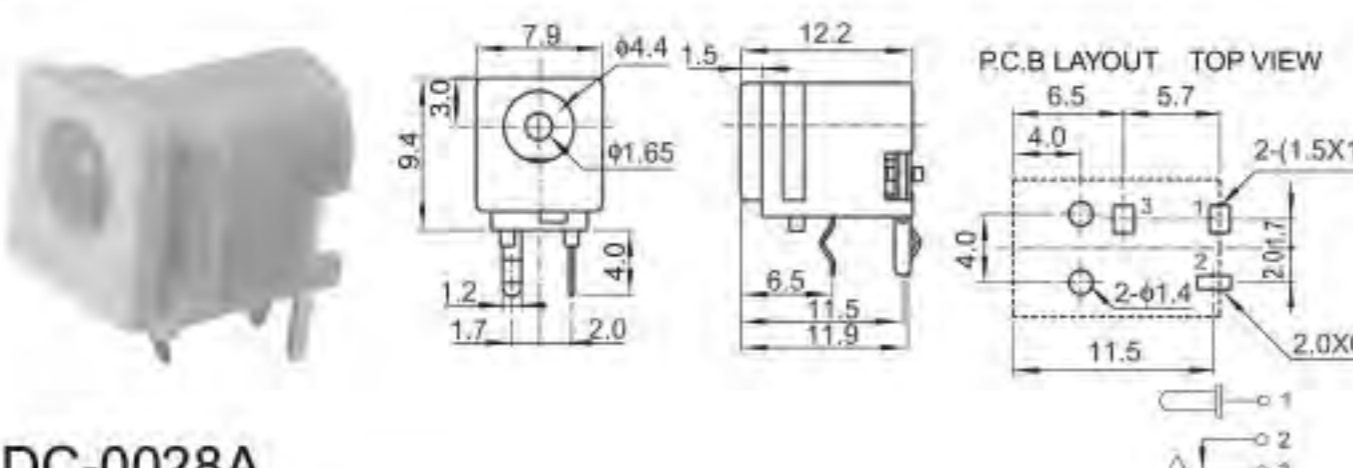
DC-0030C



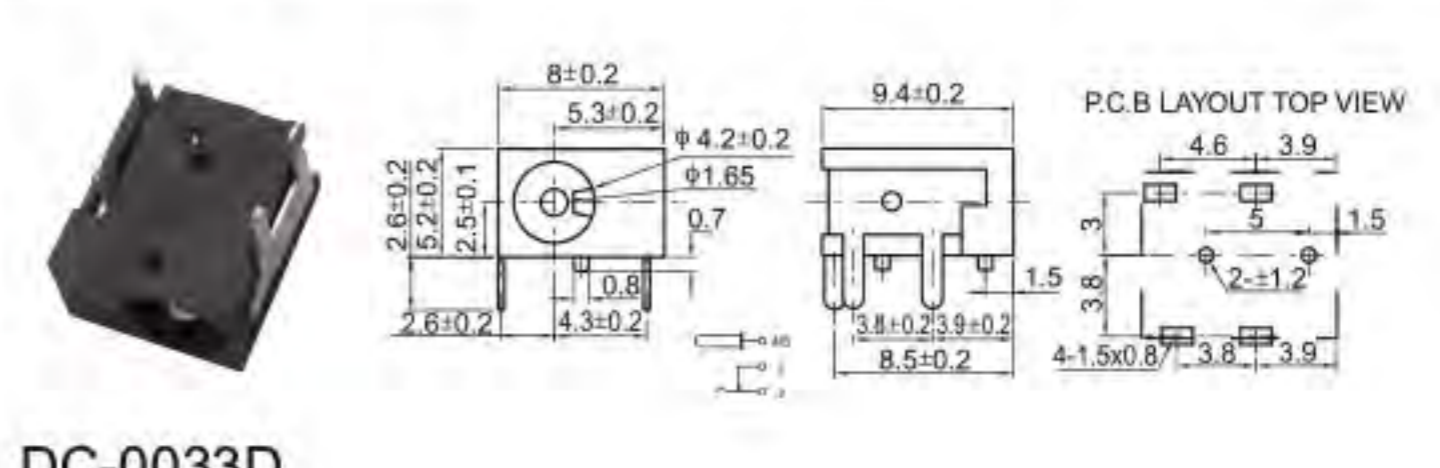
DC-00280



DC-00310

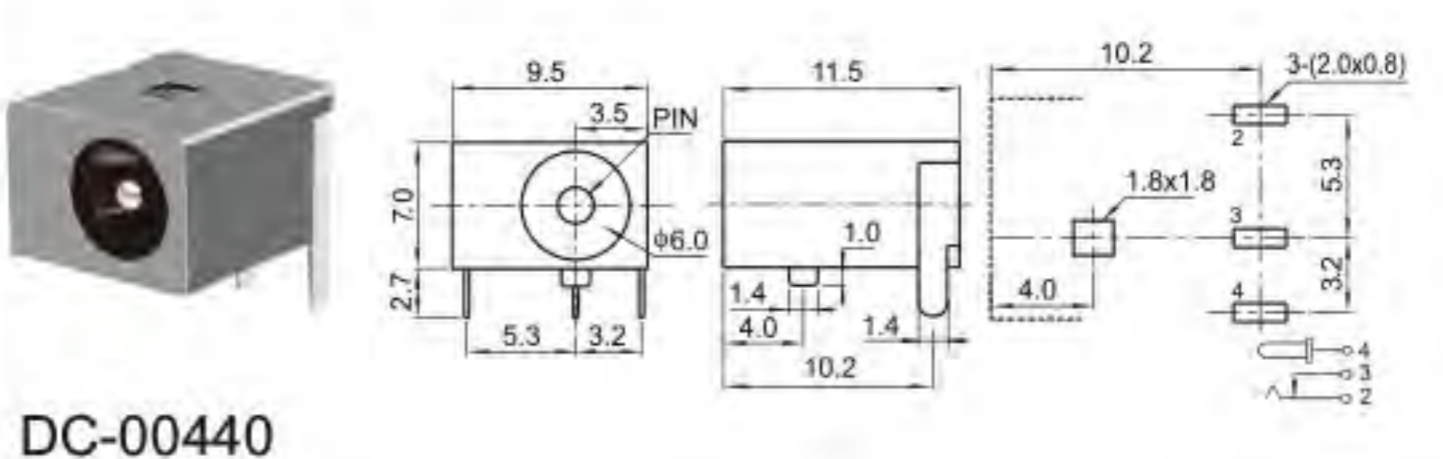
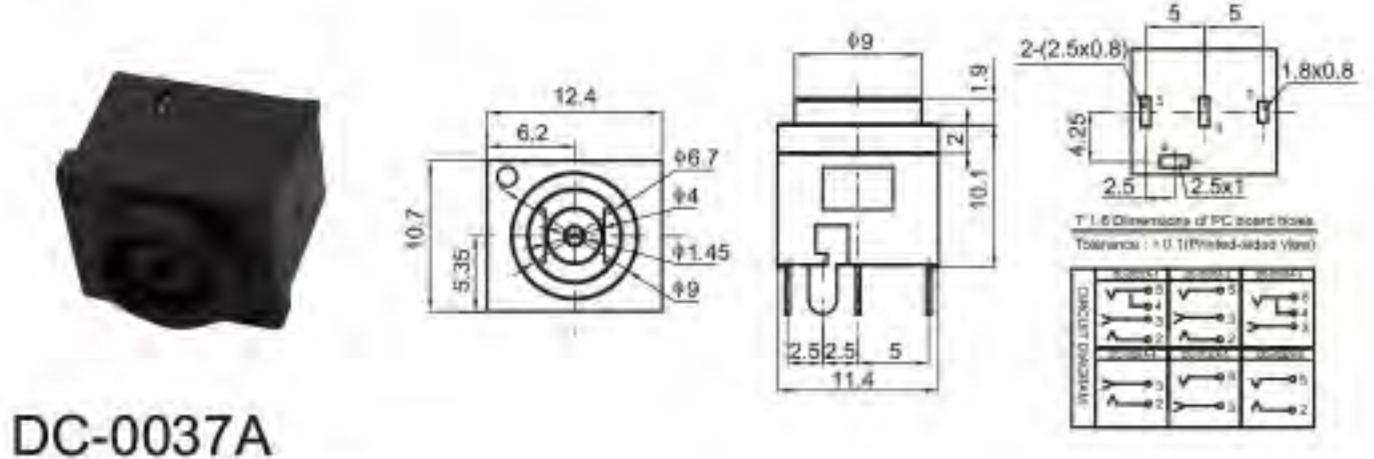
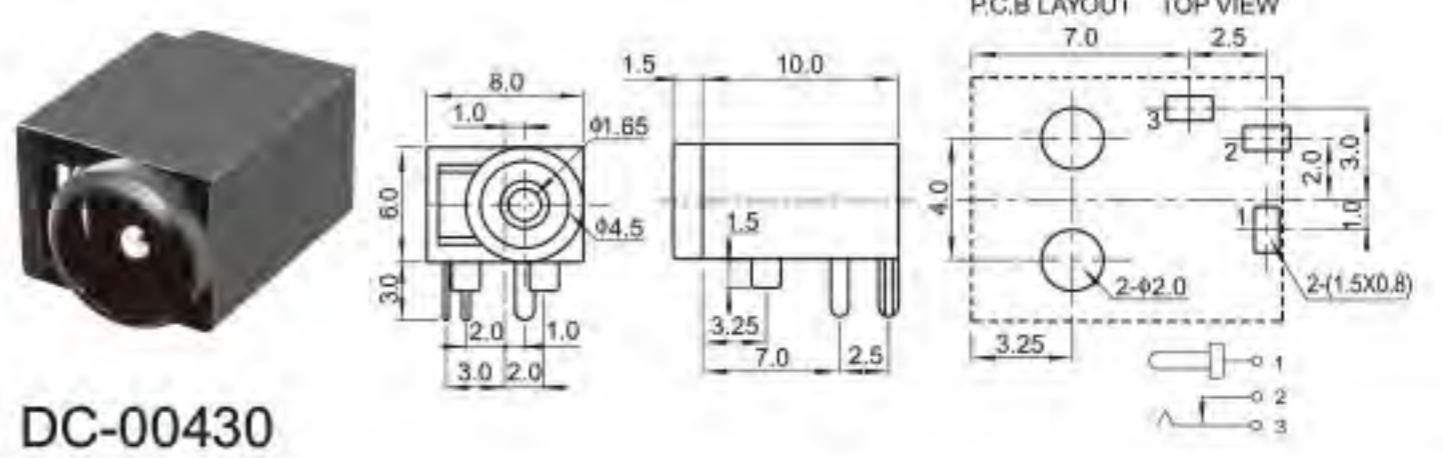
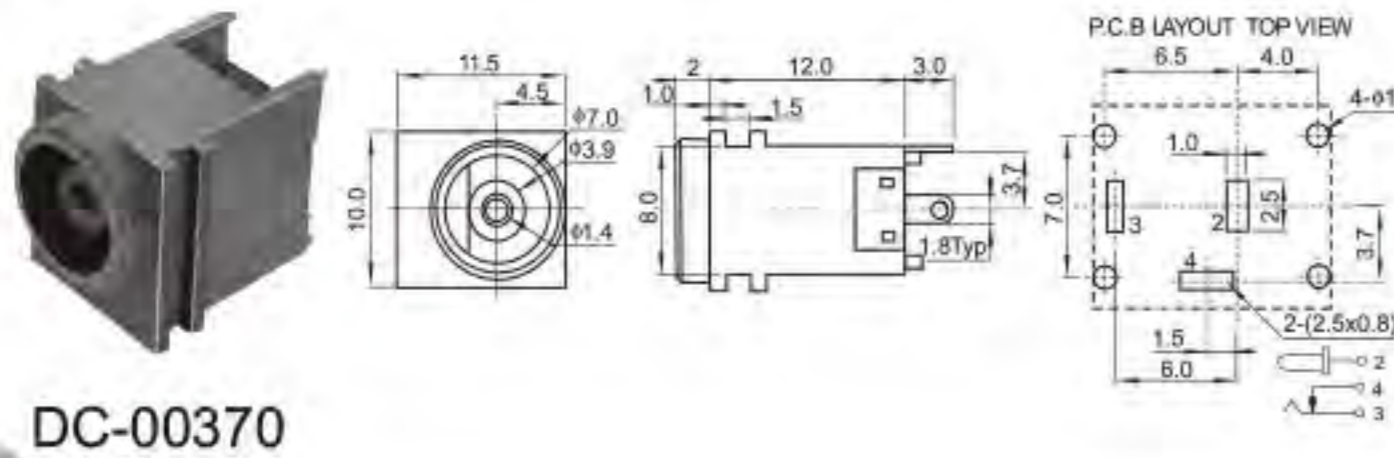
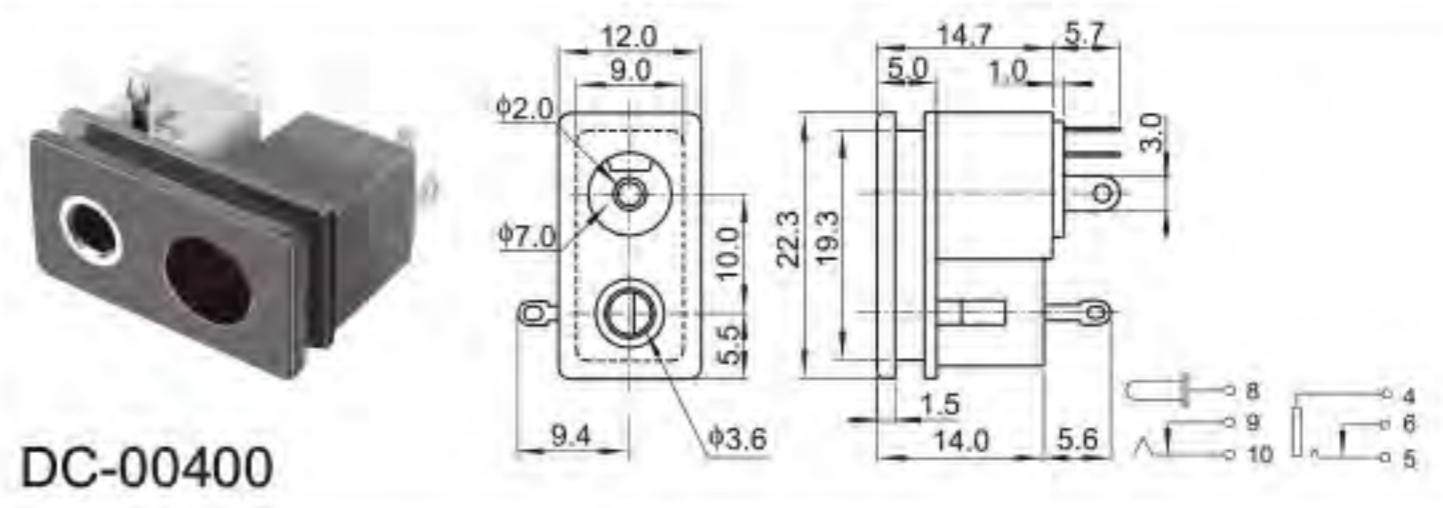
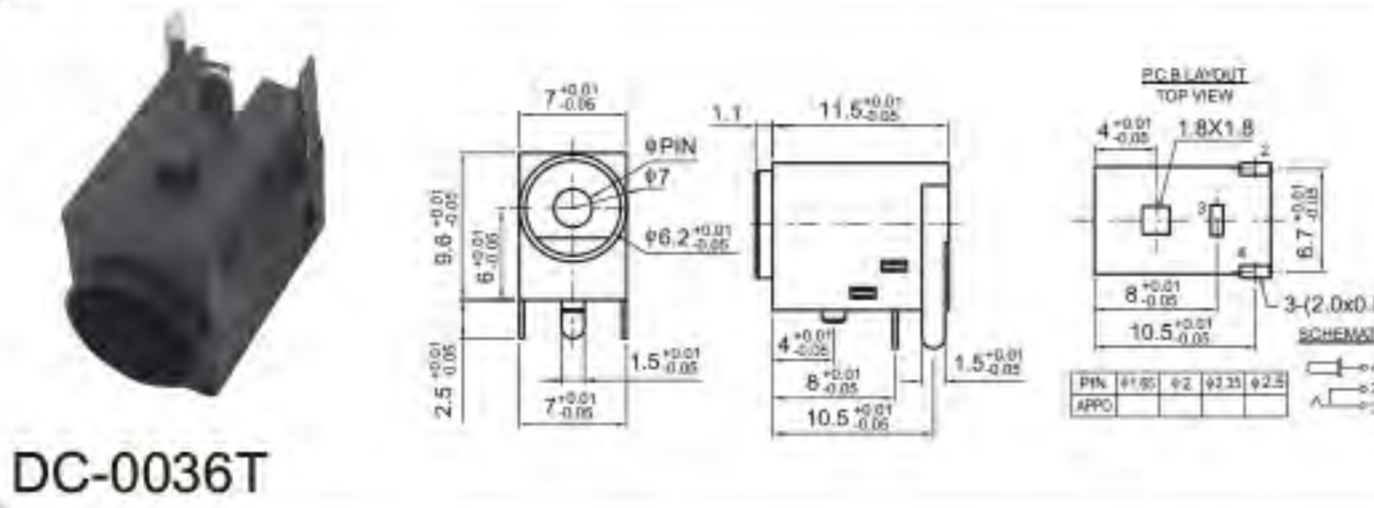
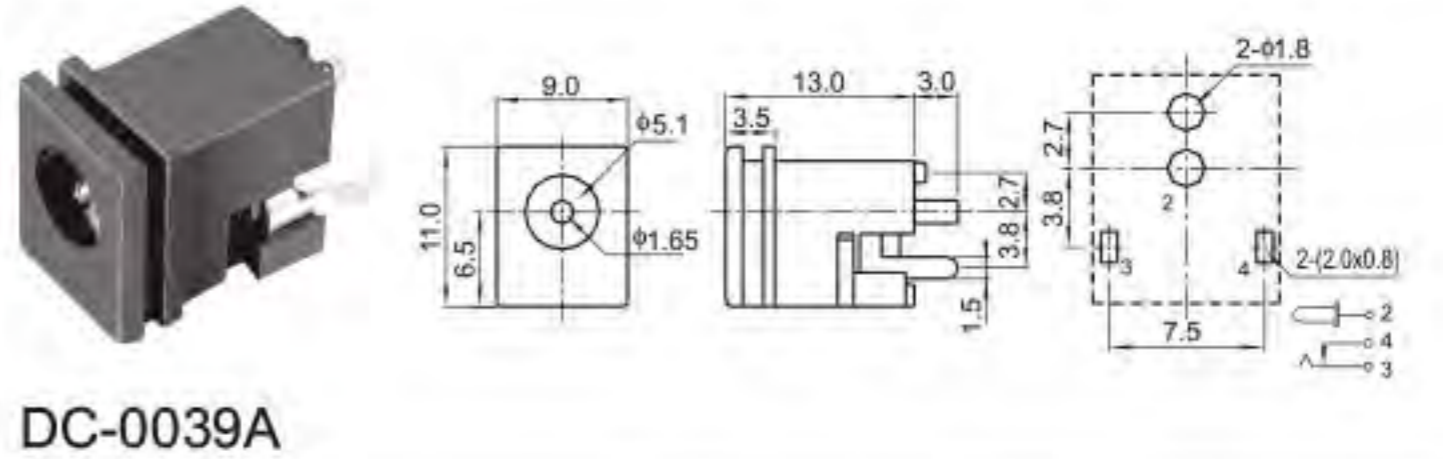
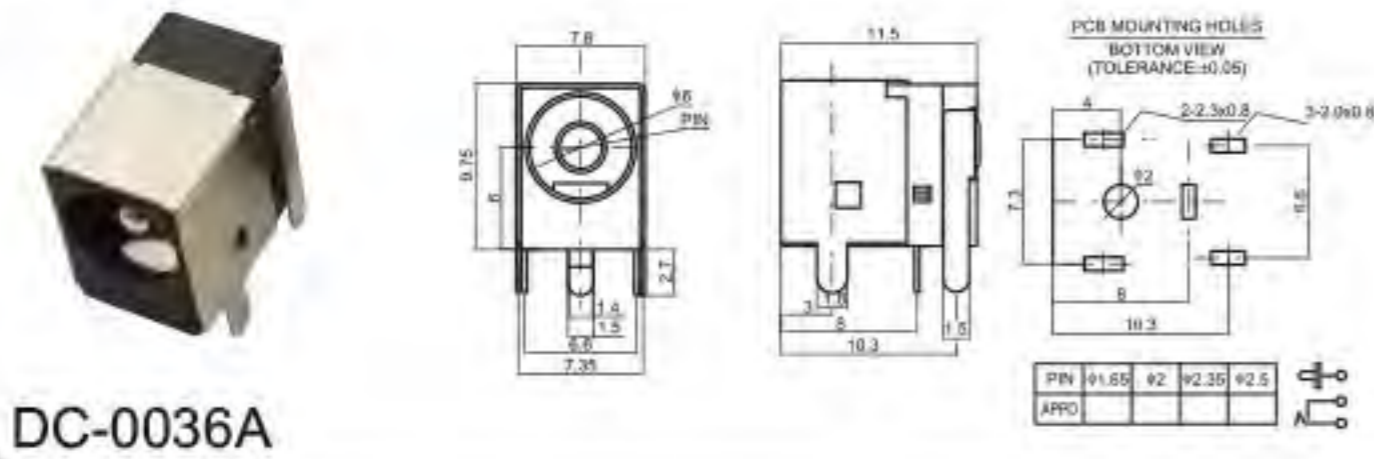
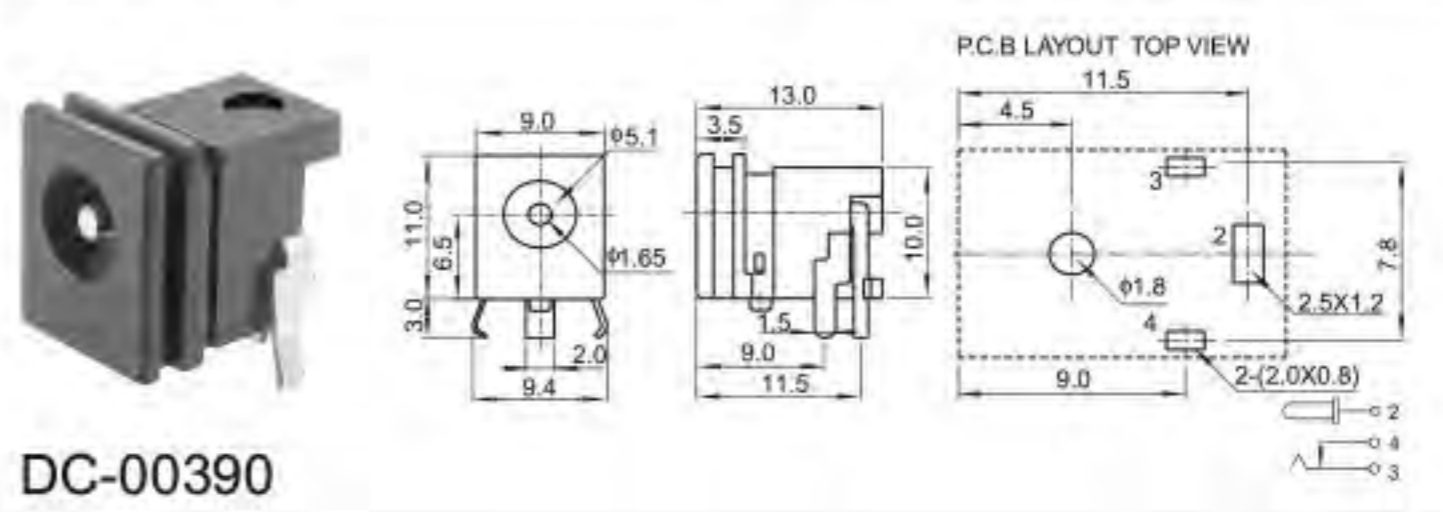
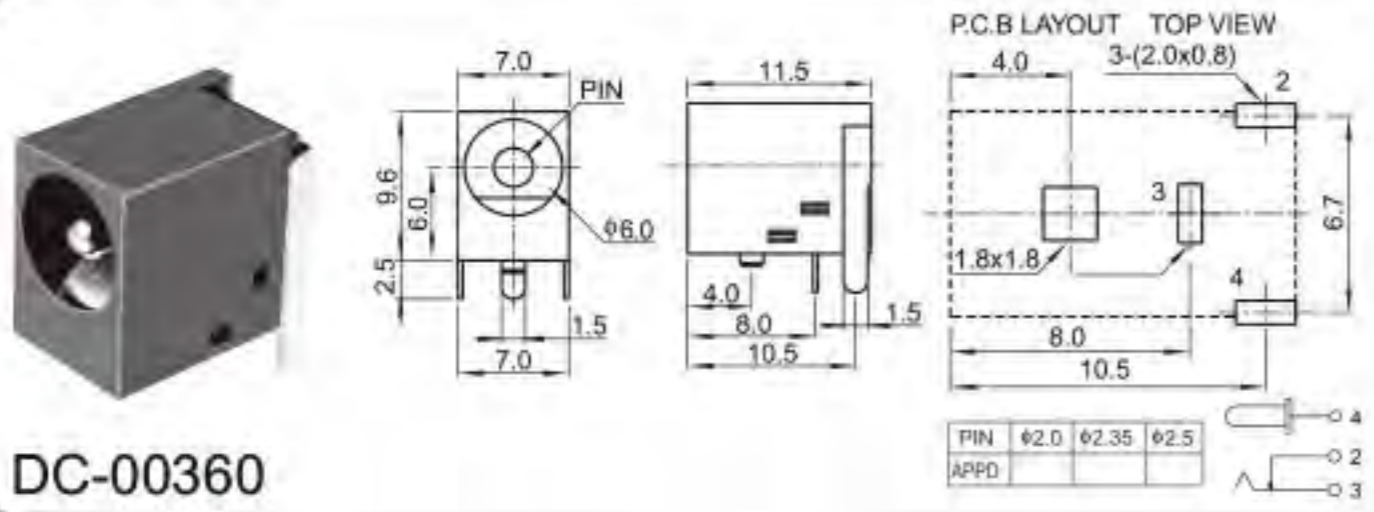
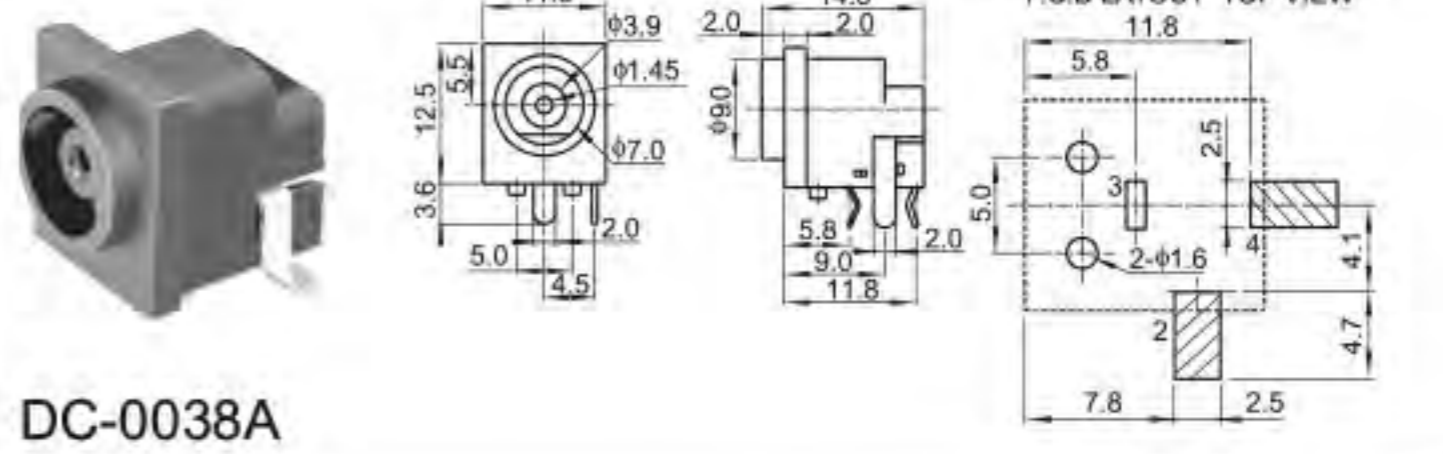
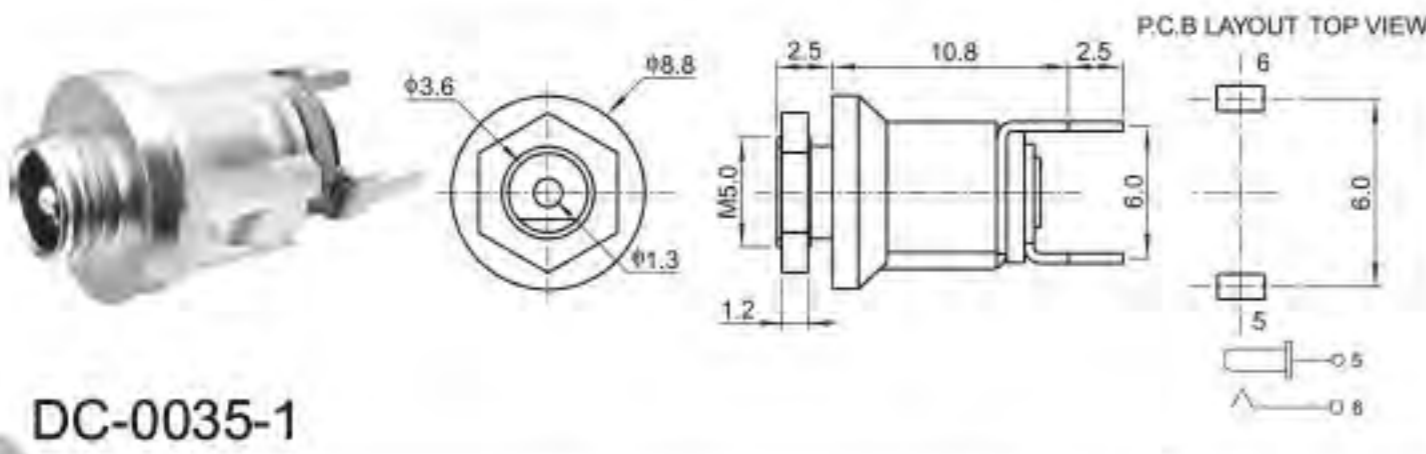
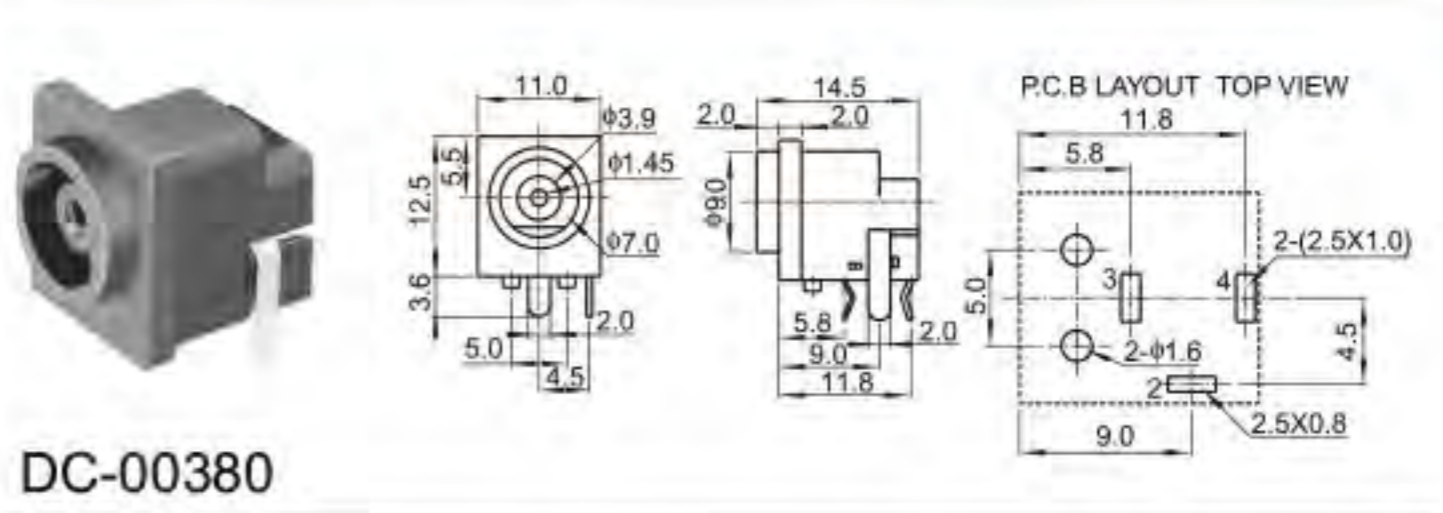
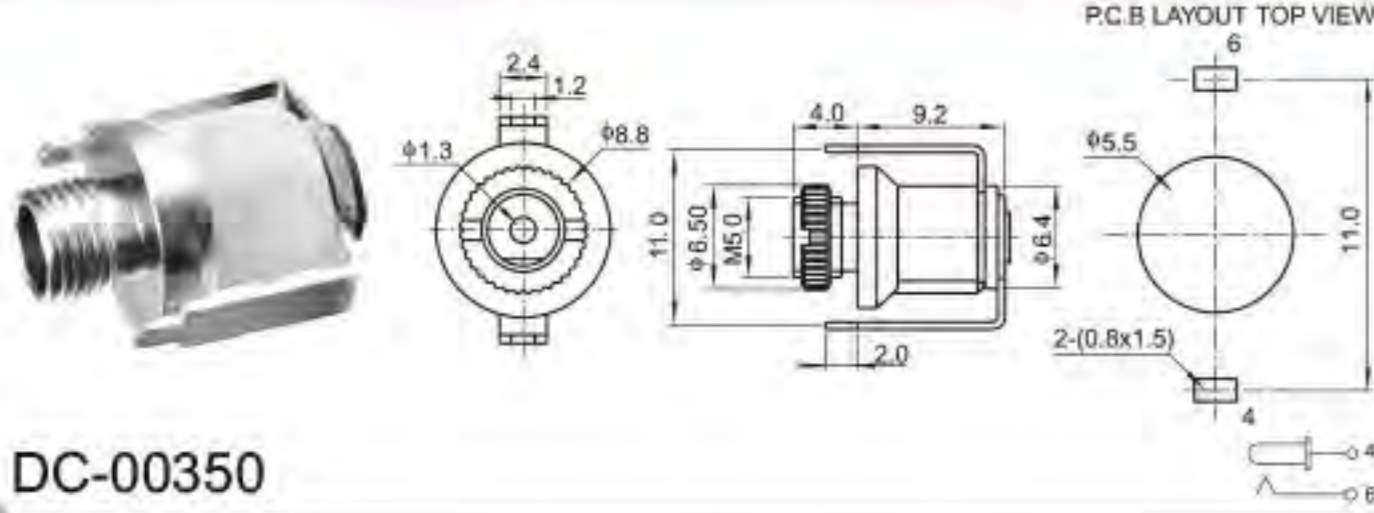


DC-0028A



DC-0033D



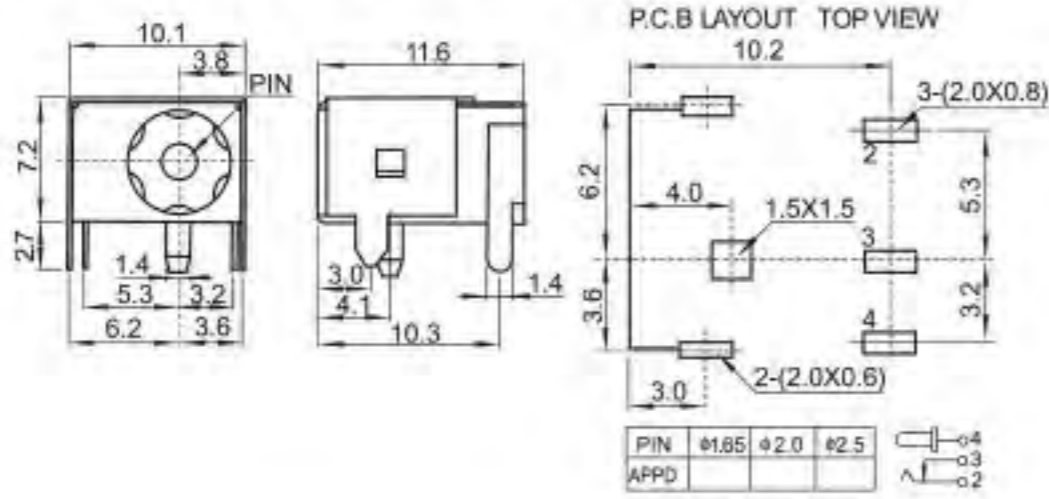




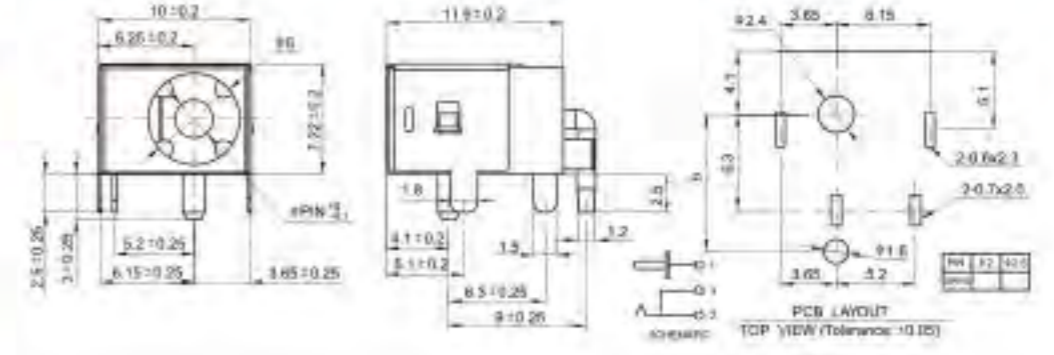
DC-0044A

DC-0044G

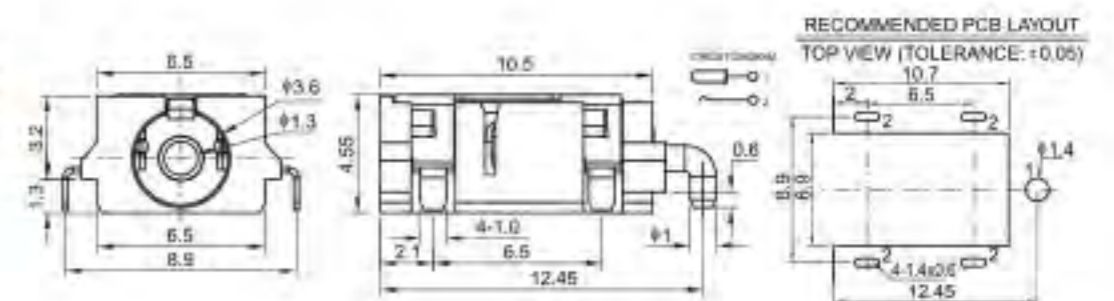
DC-0044H



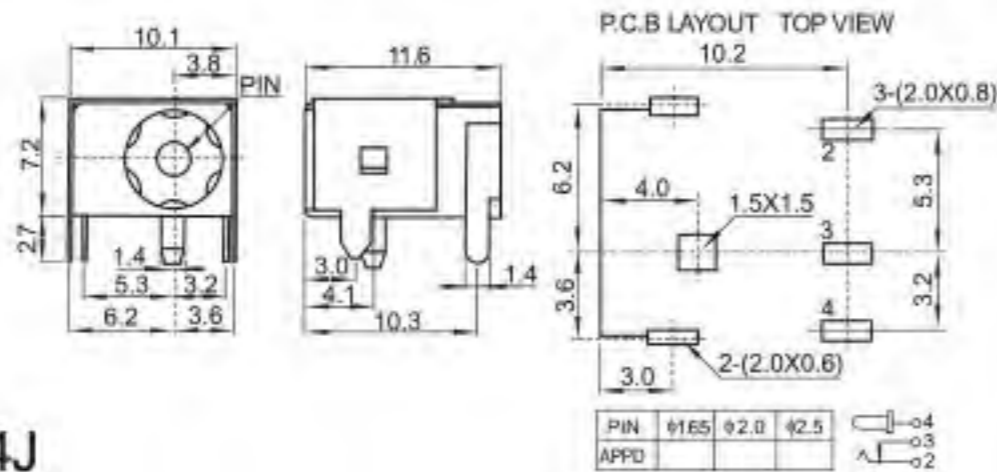
DC-0044L



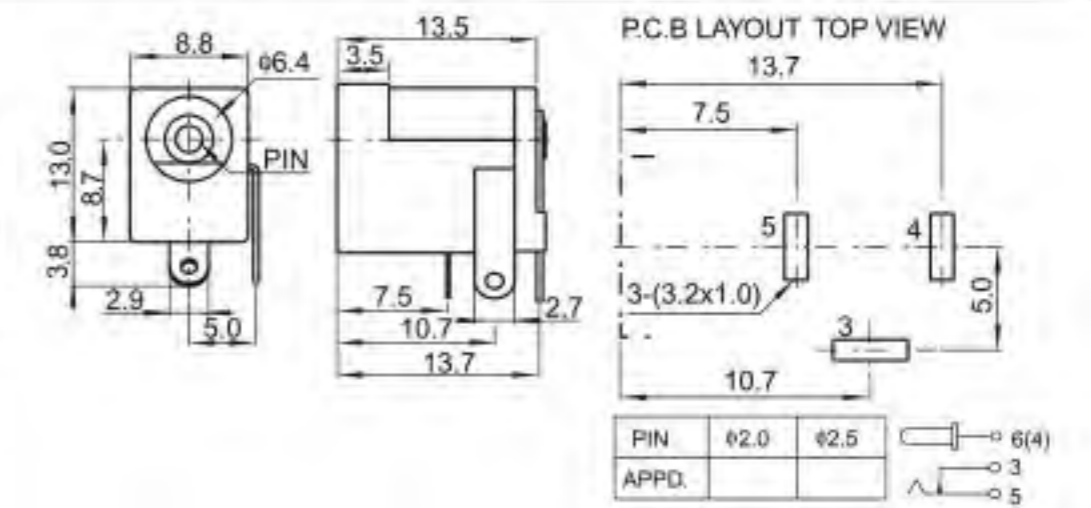
DC-0045T



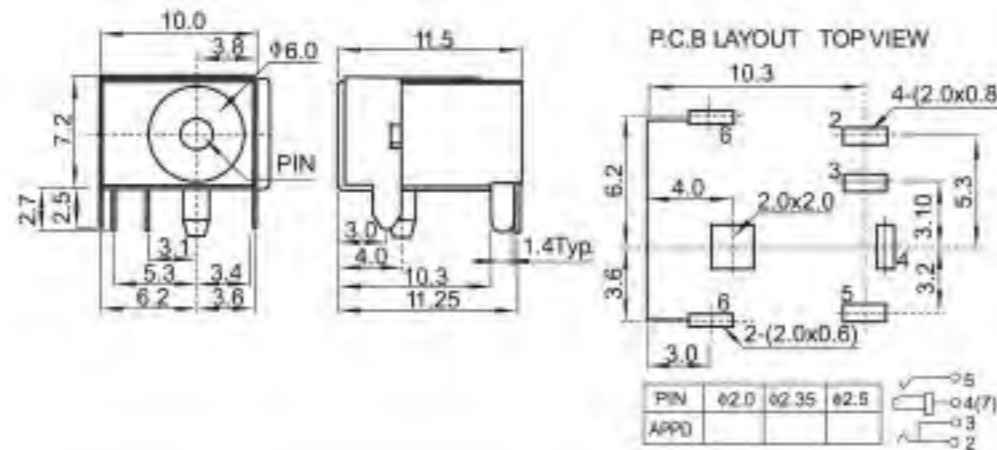
DC-0044B/0044J



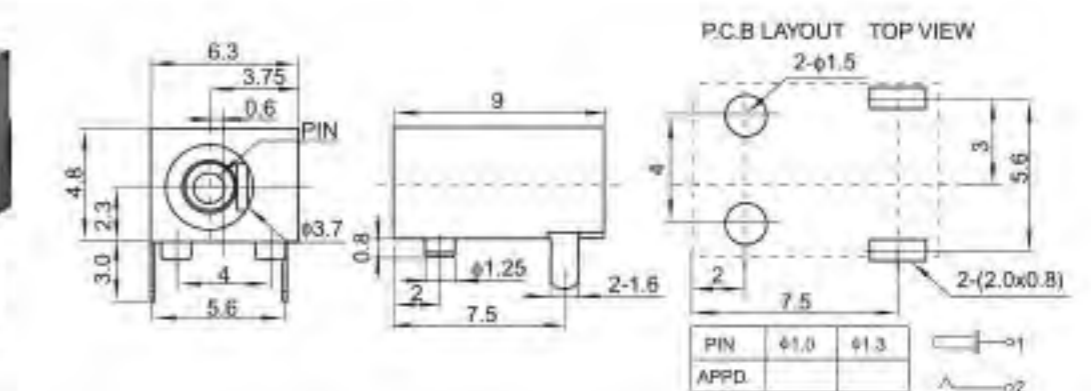
DC-00460



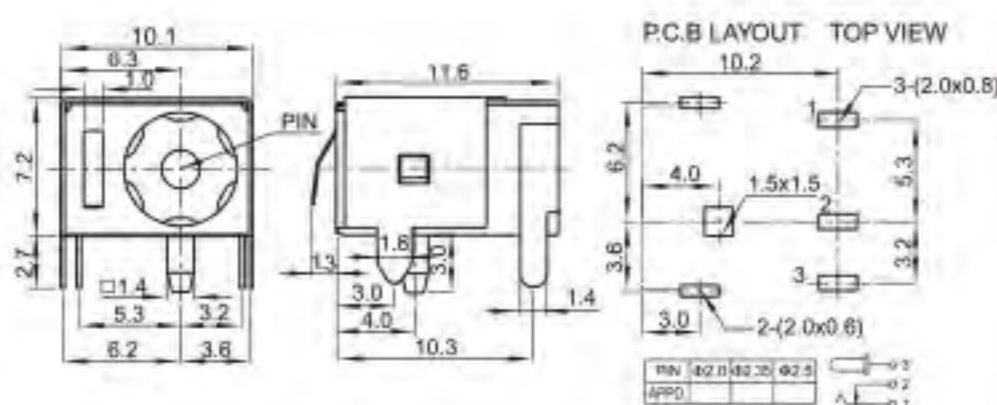
DC-0044C



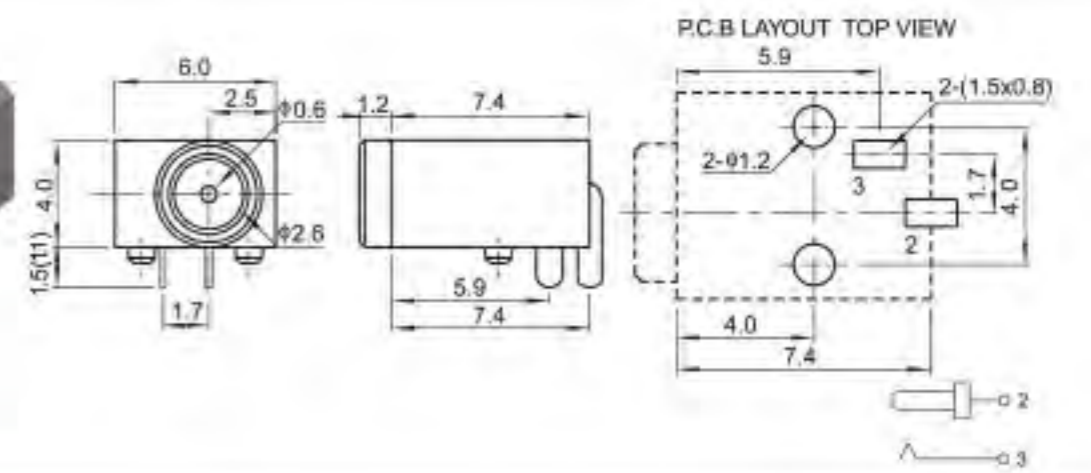
DC-0047B



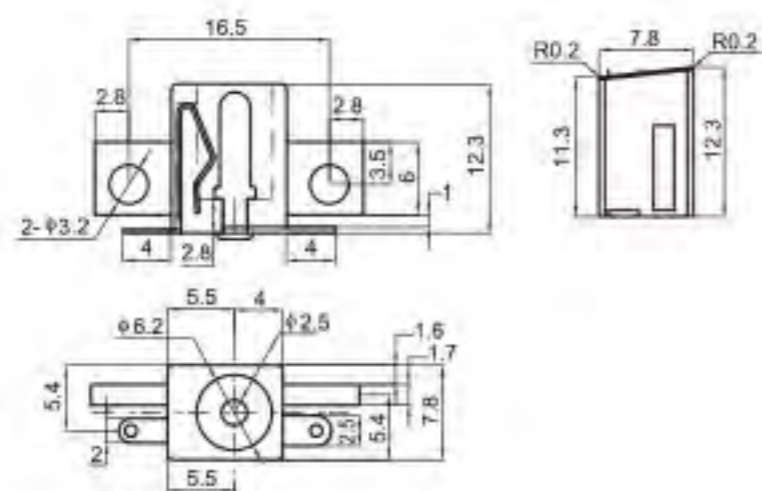
DC-0044E



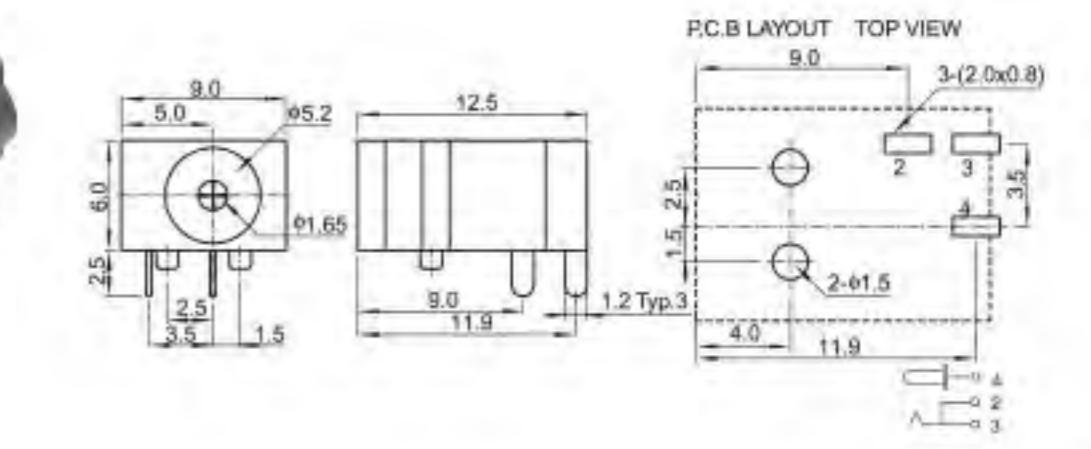
DC-00480



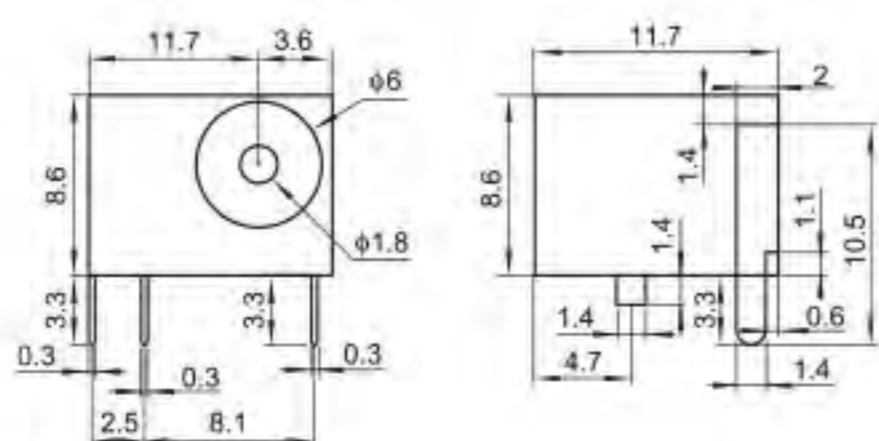
DC-0044F



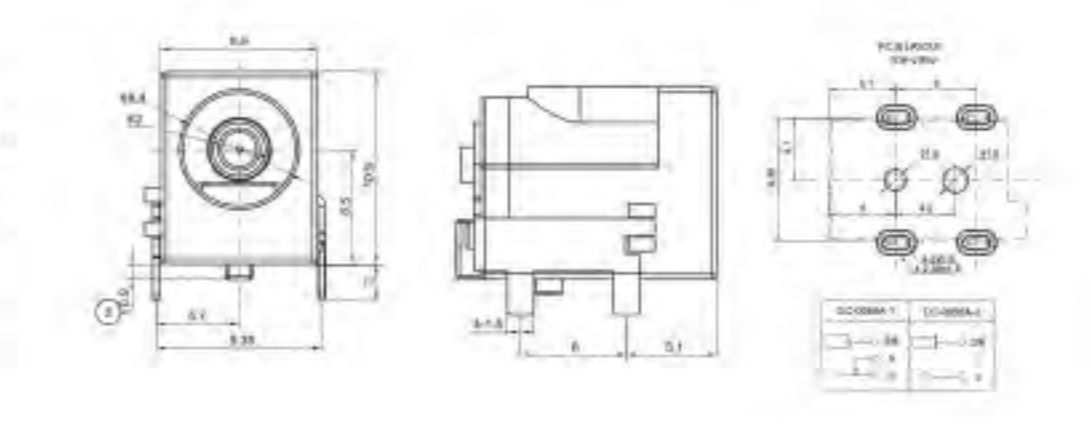
DC-00490

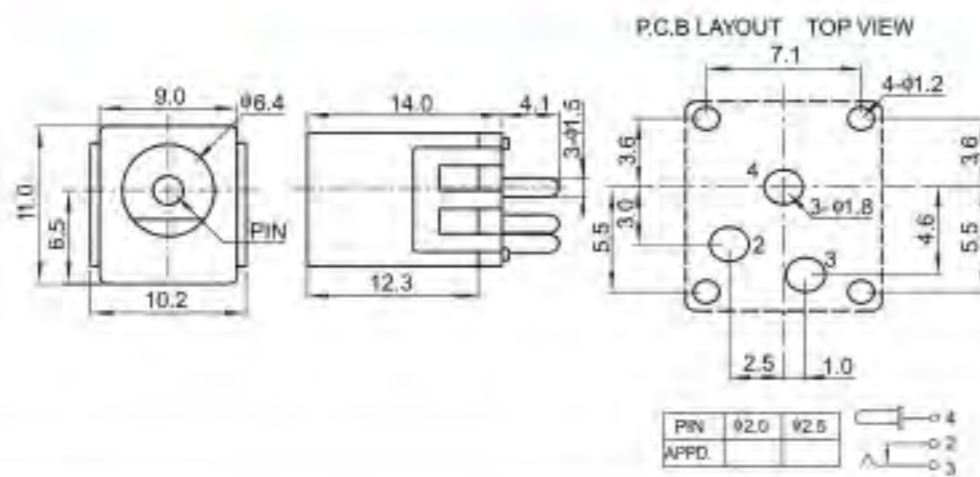


DC-0044K

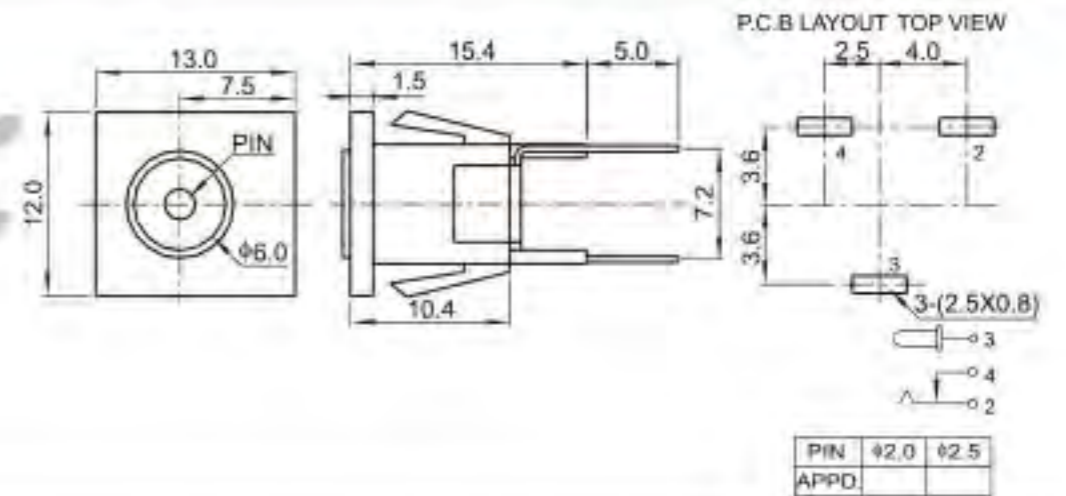


DC-0050A

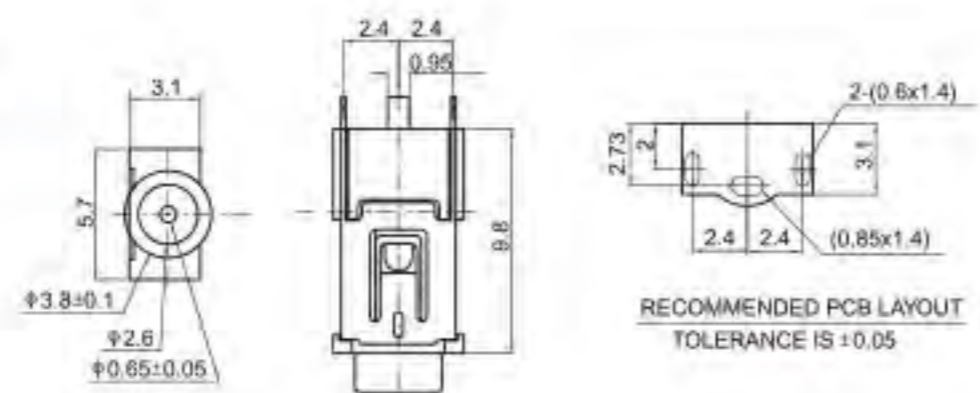




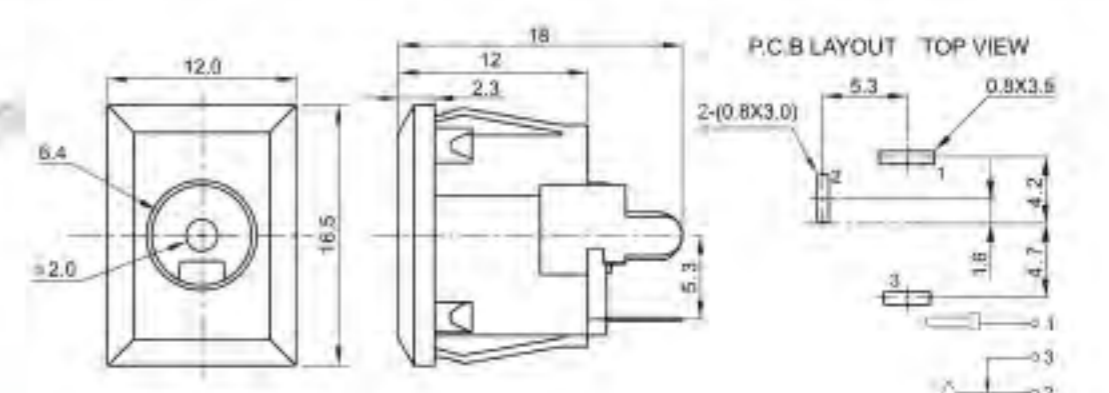
DC-00510



DC-00680



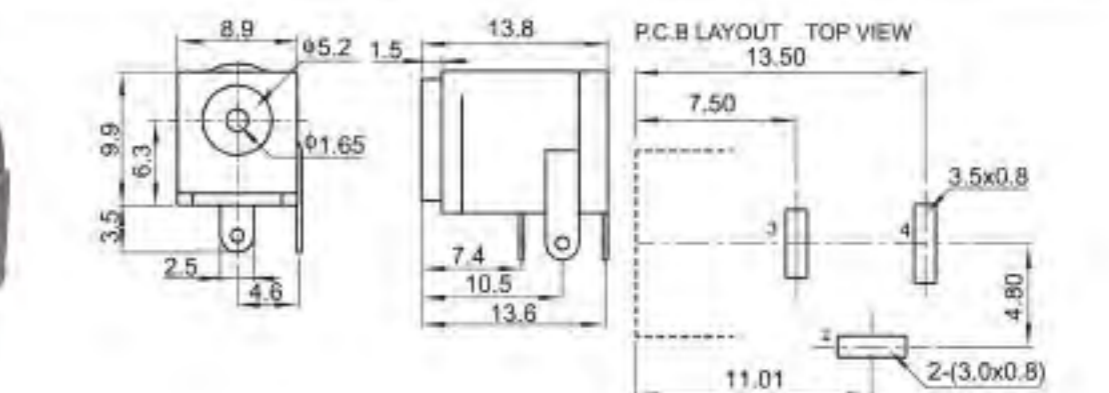
DC-0055L



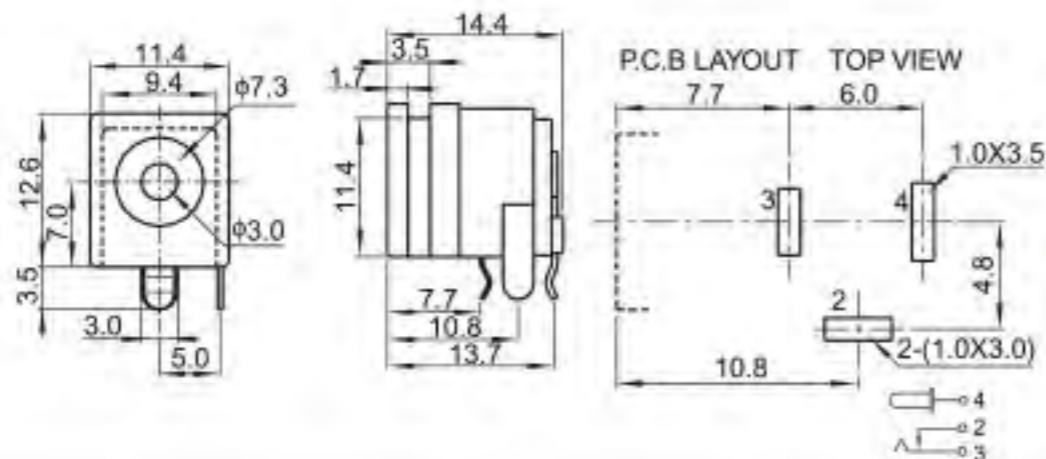
DC-00690



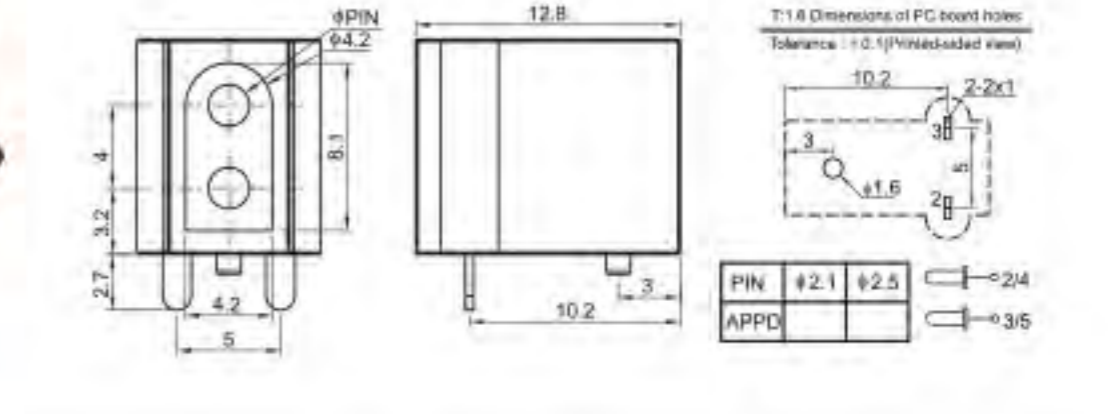
DC-0055W



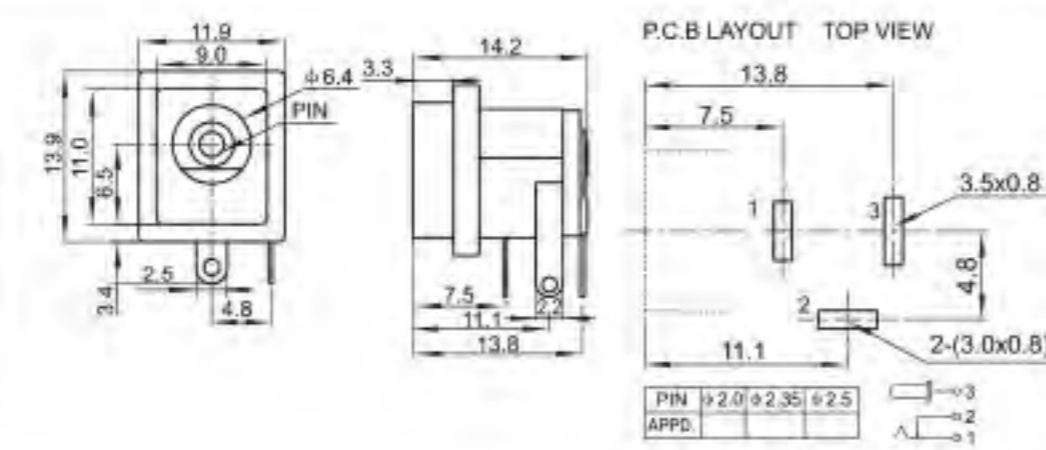
DC-00720



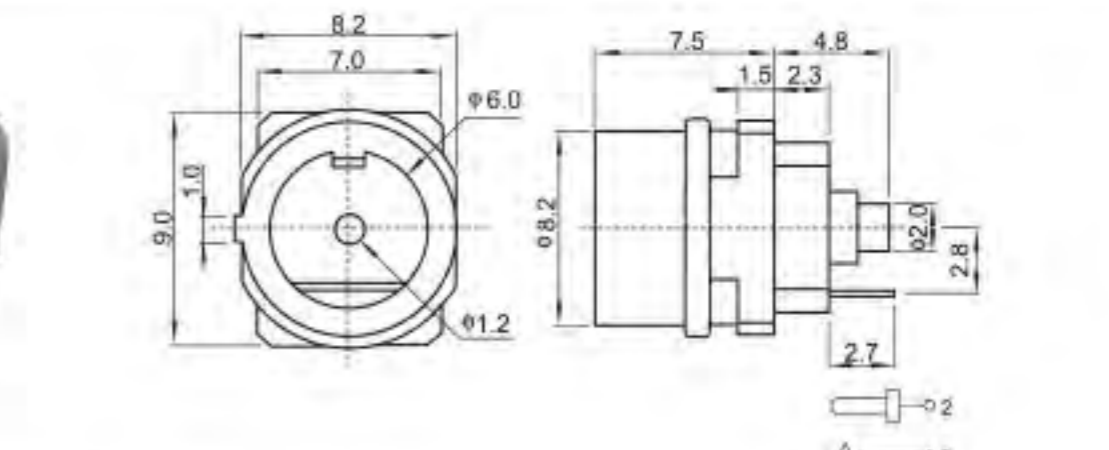
DC-00620



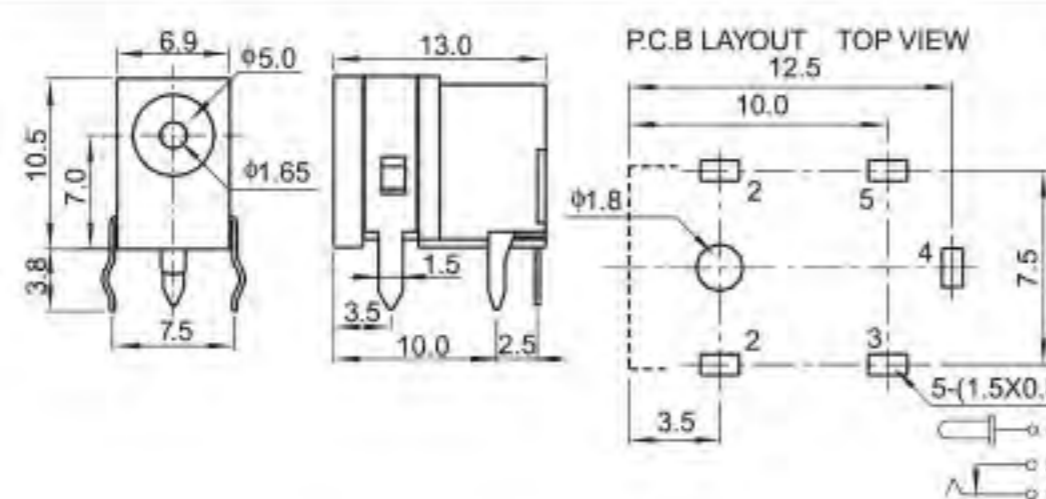
DC-0074A



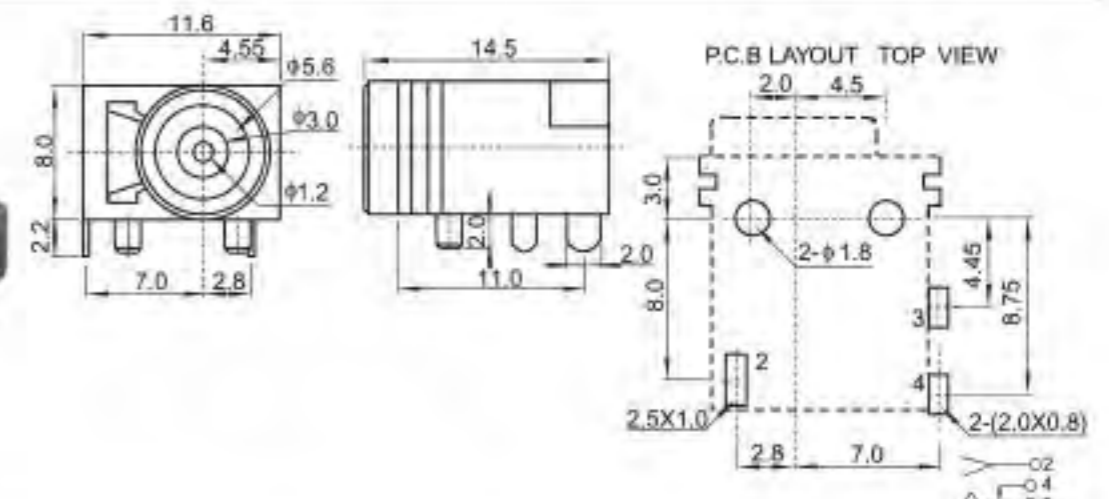
DC-00630



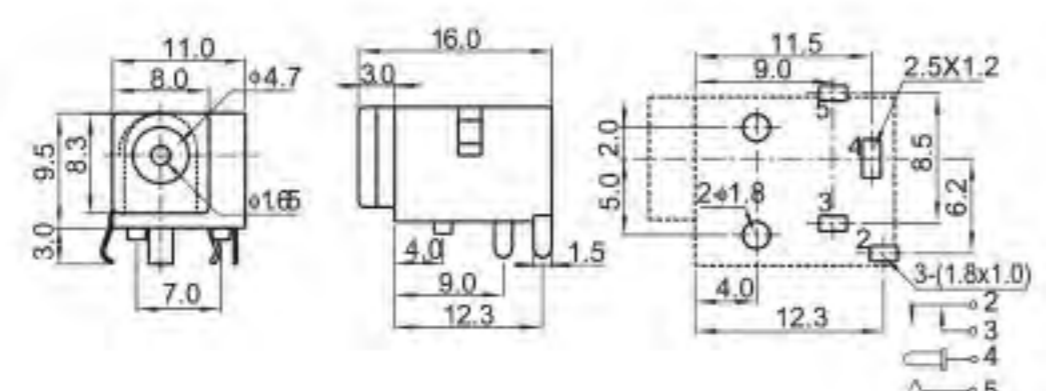
DC-00780



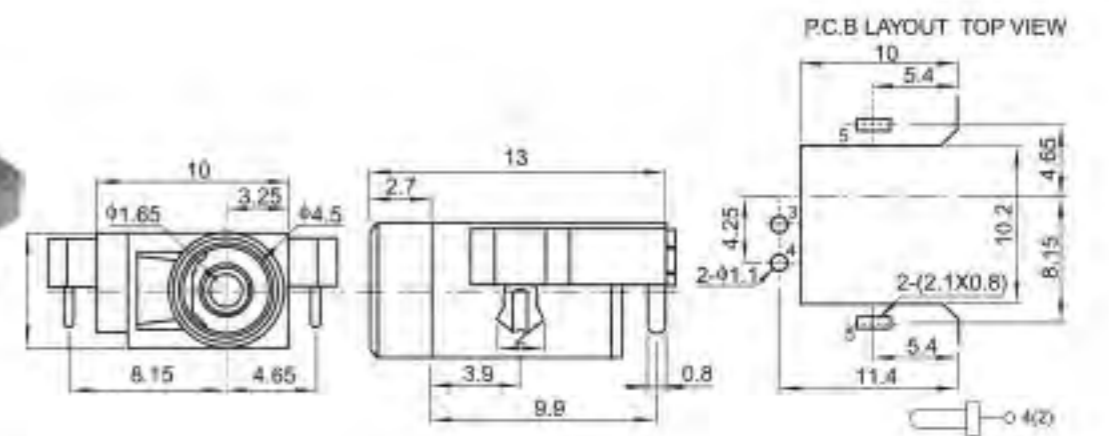
DC-00640



DC-00800



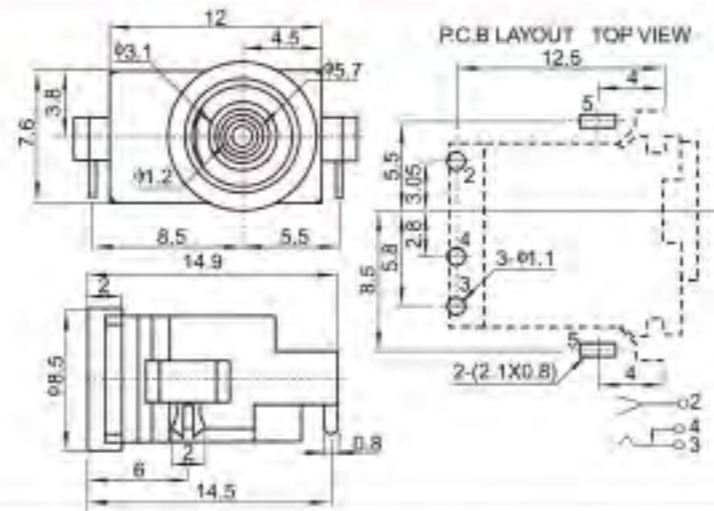
DC-00660



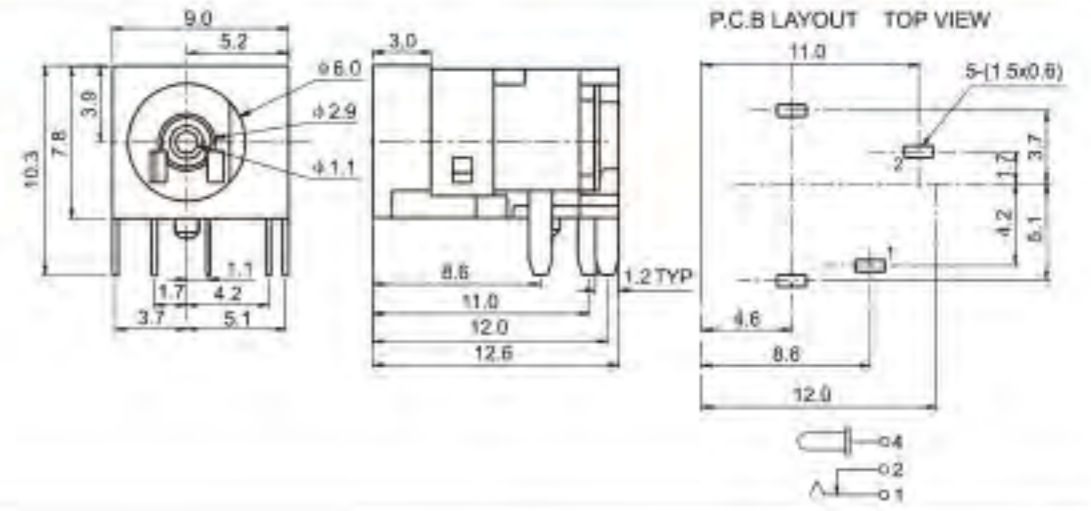
DC-00810



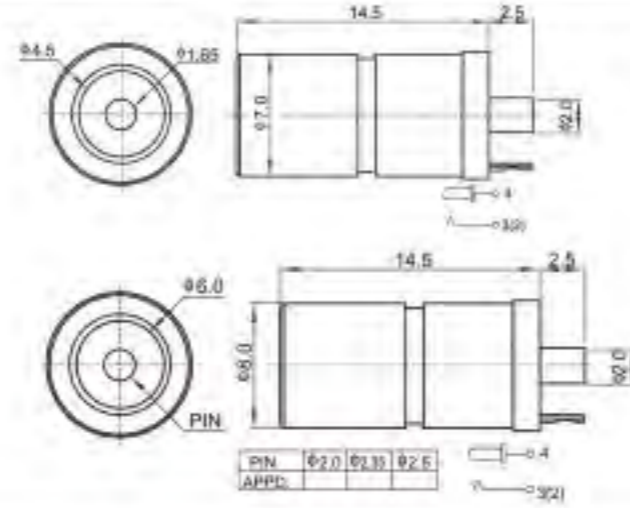
DC-0082A



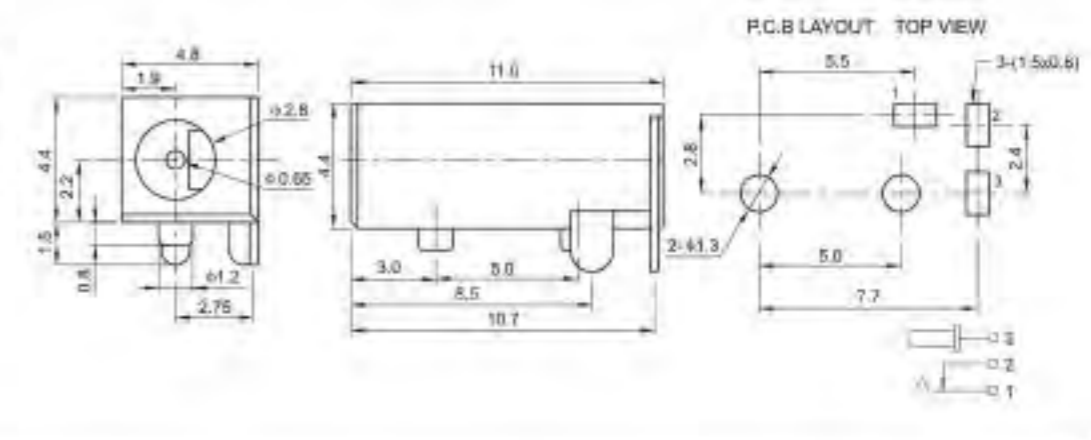
DC-00910



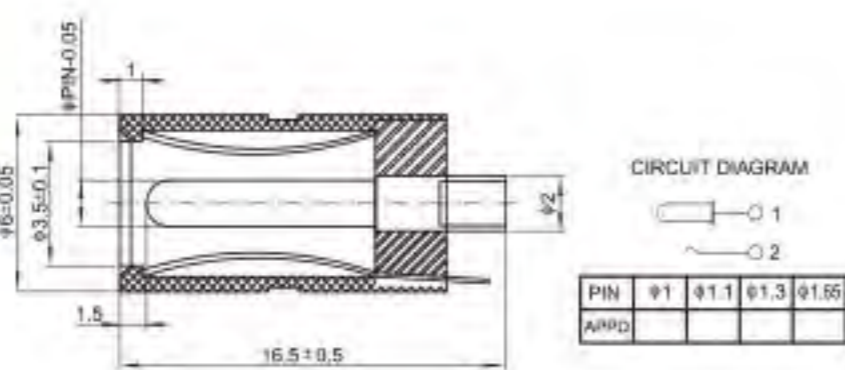
DC-00830/0083A/00840



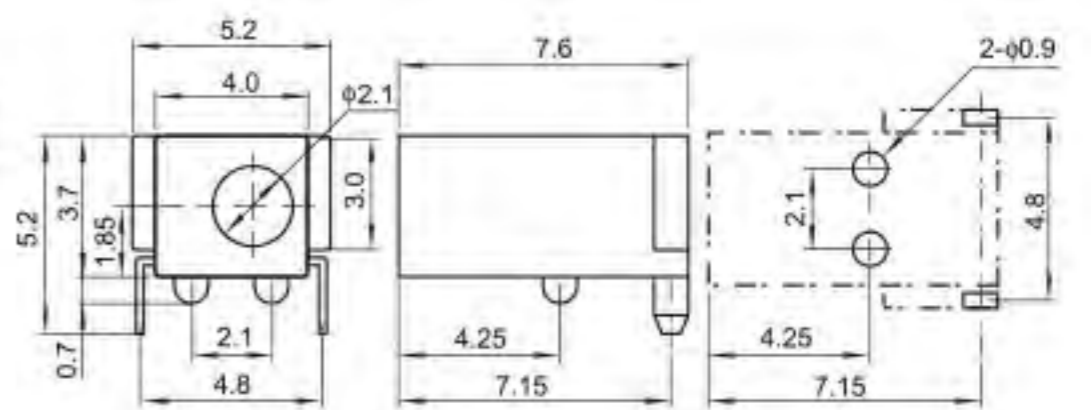
DC-00930



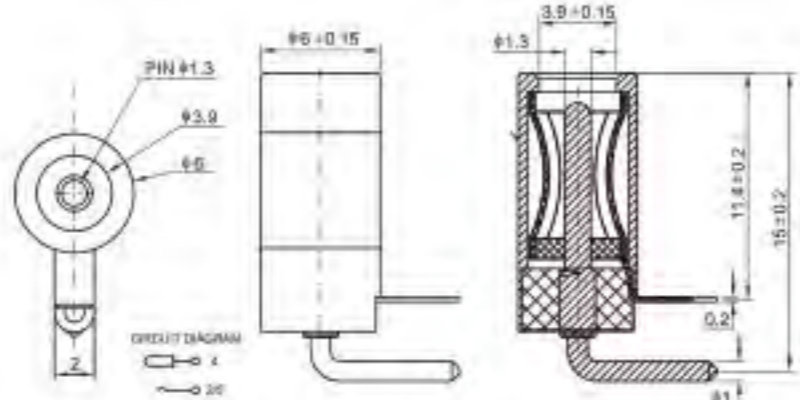
DC-0083C



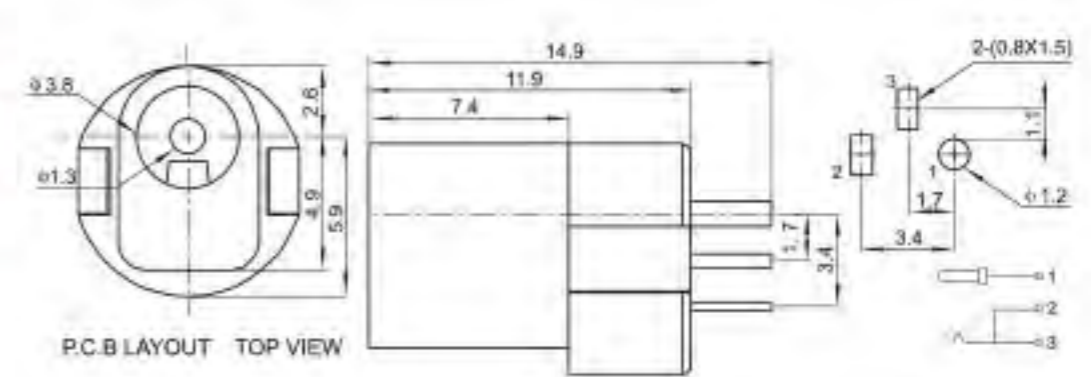
DC-0096C



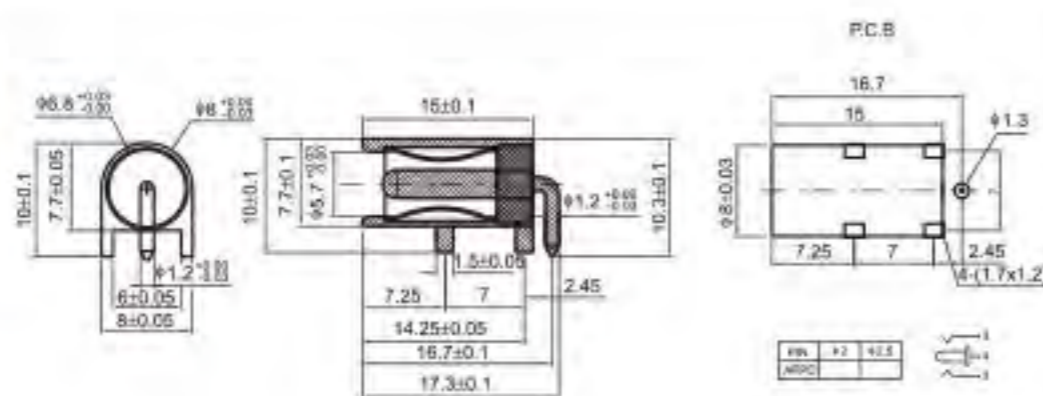
DC-0083F



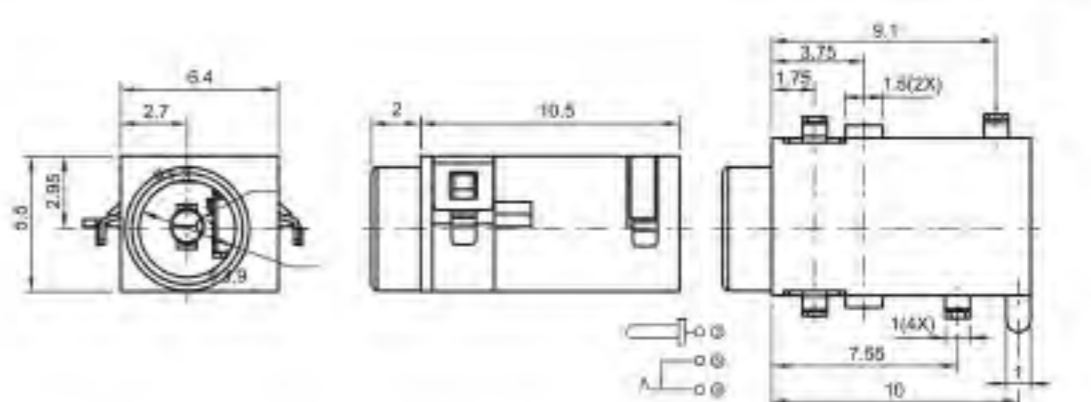
DC-00970



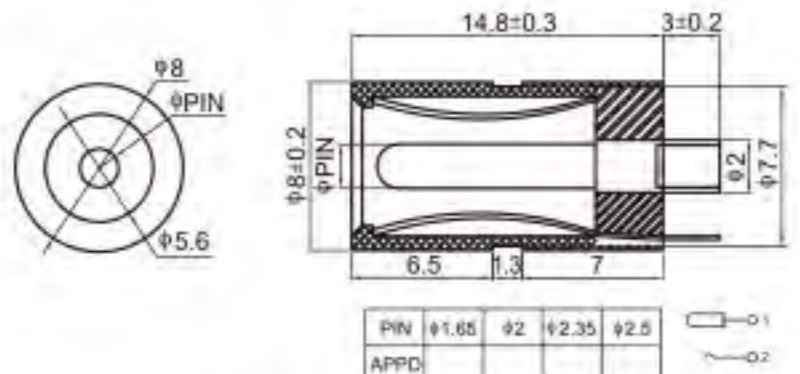
DC-0084B



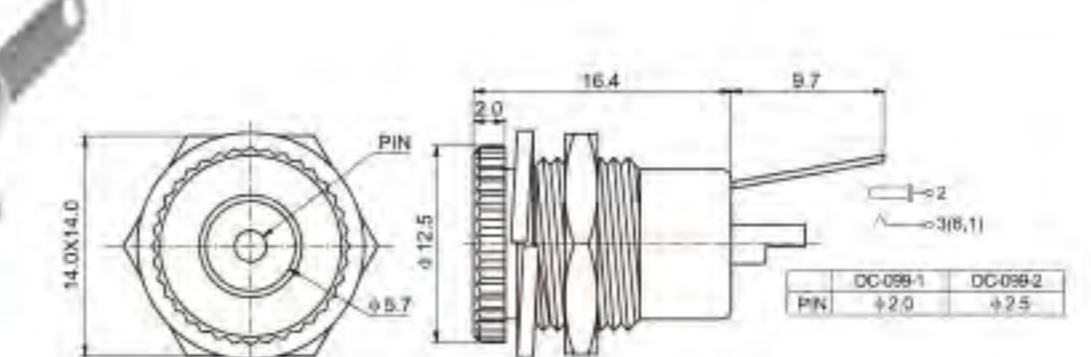
DC-0097B



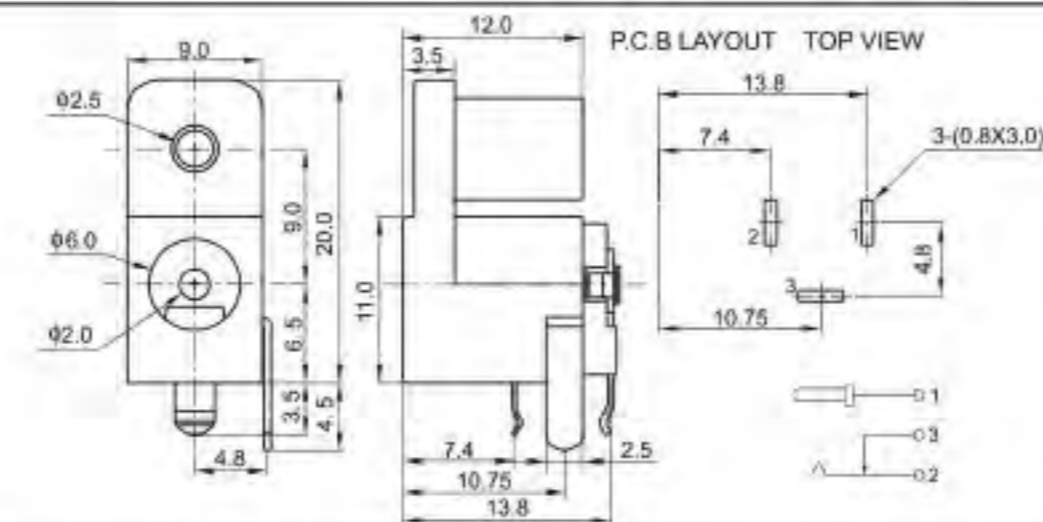
DC-0084C



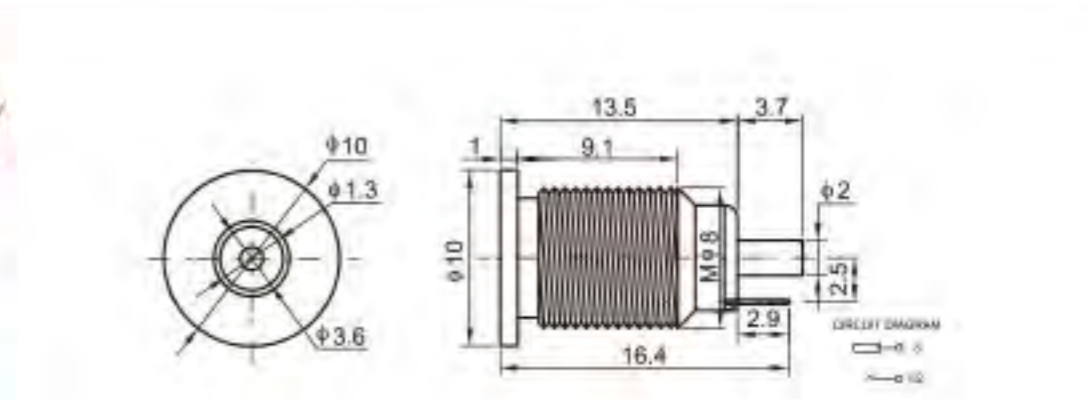
DC-00990

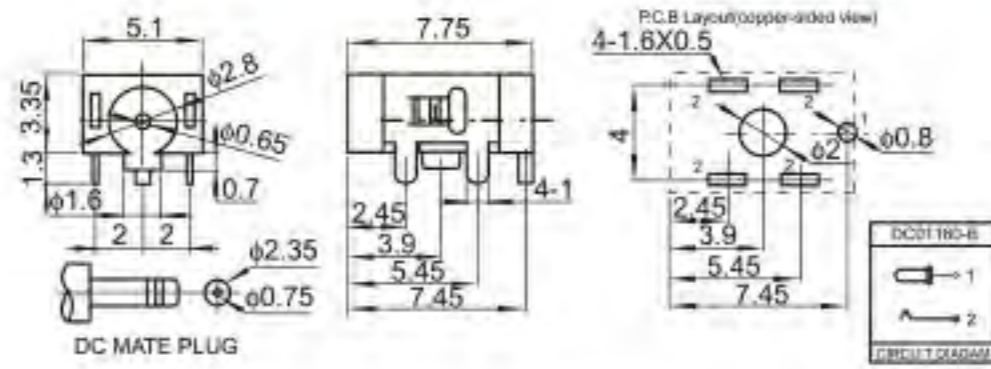


DC-00890

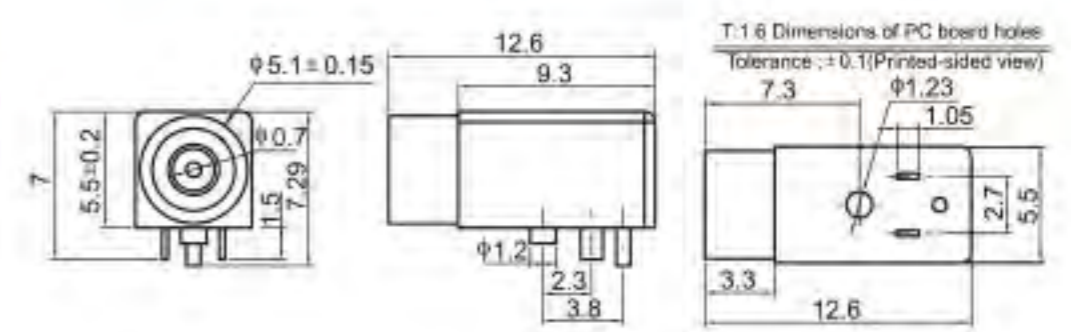


DC-0099C

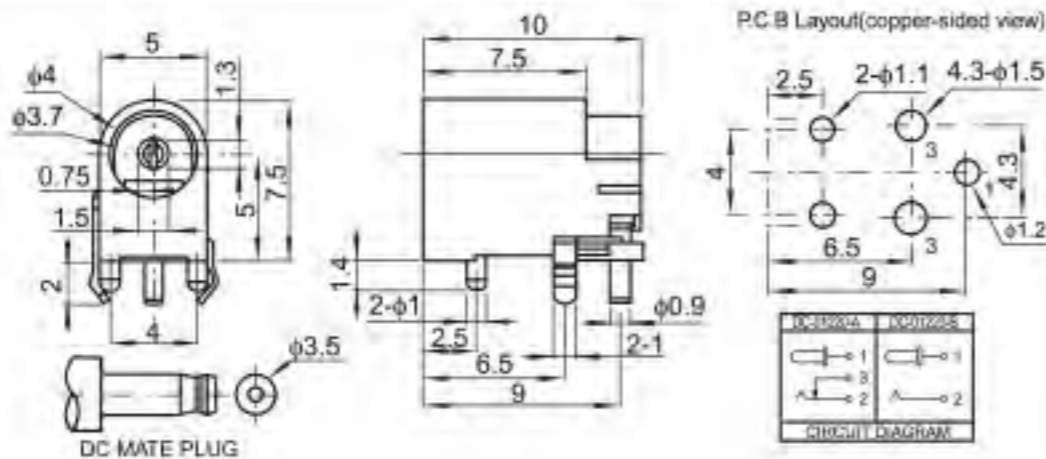




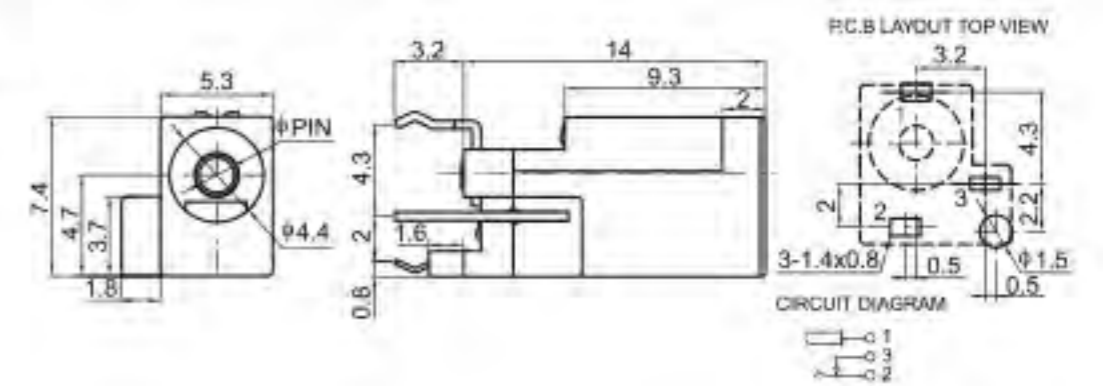
DC-01180



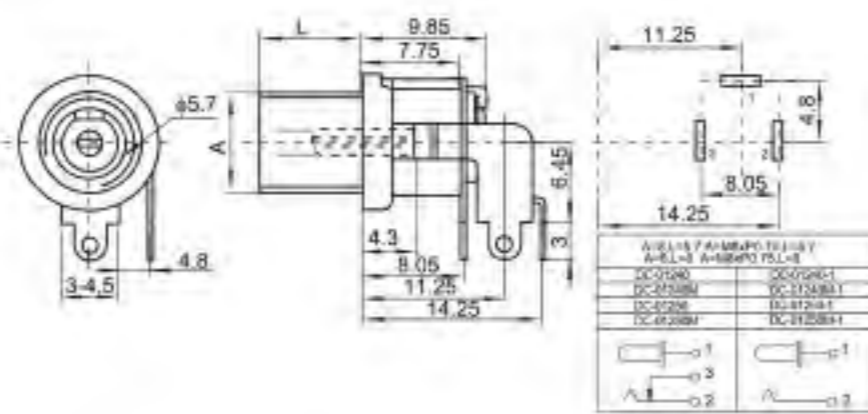
DC-1002E



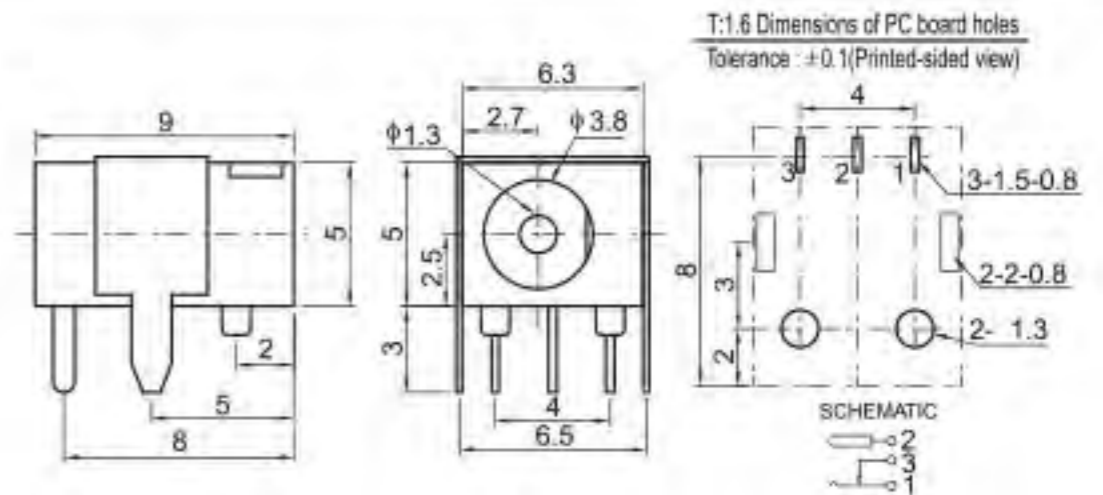
DC-01220



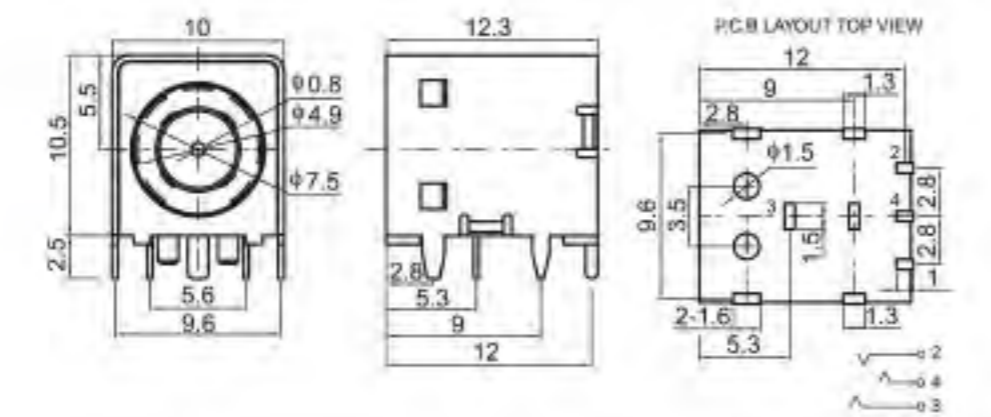
DC-1002F



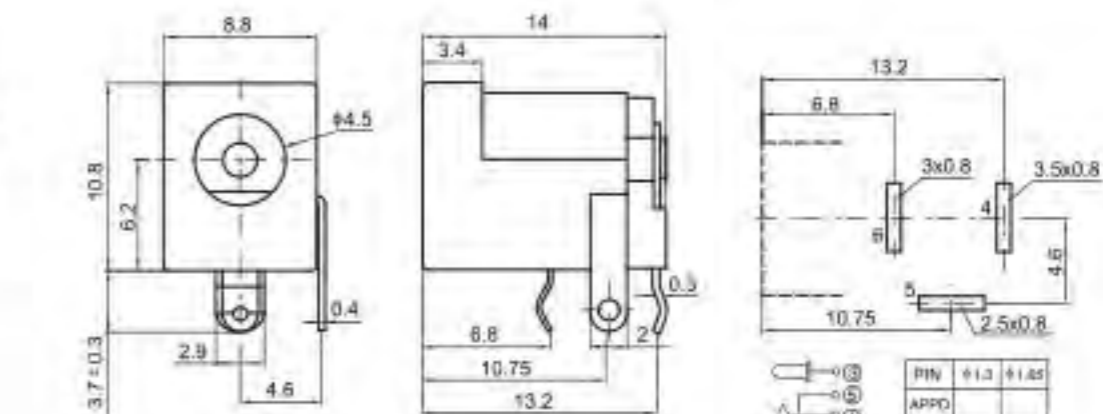
DC-01240/0124M  
DC-01250/0125M



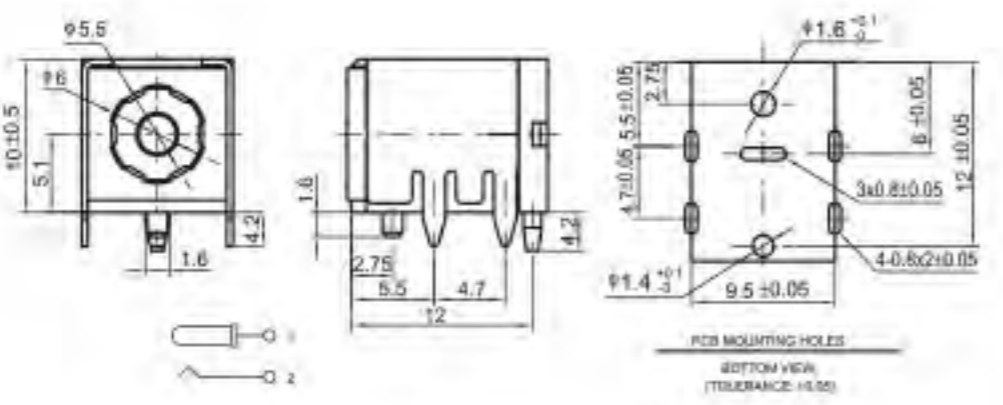
DC-1003F



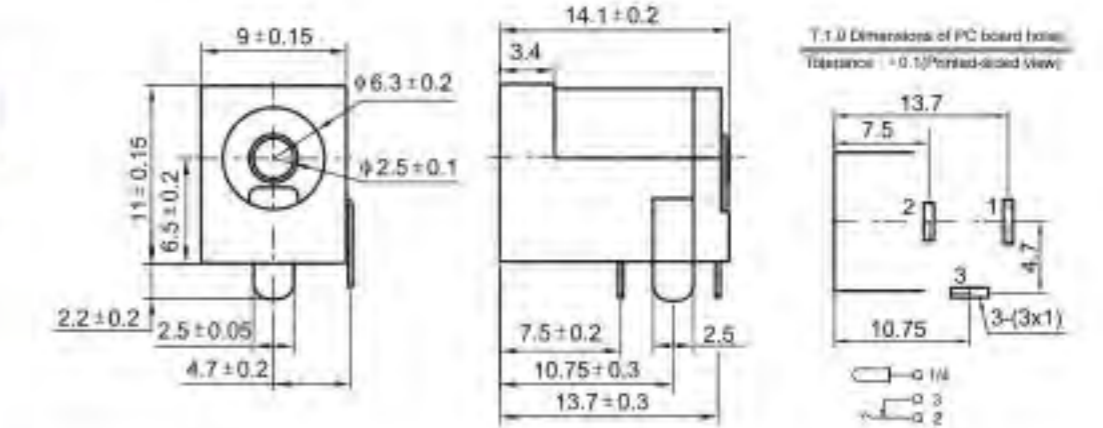
DC-01930



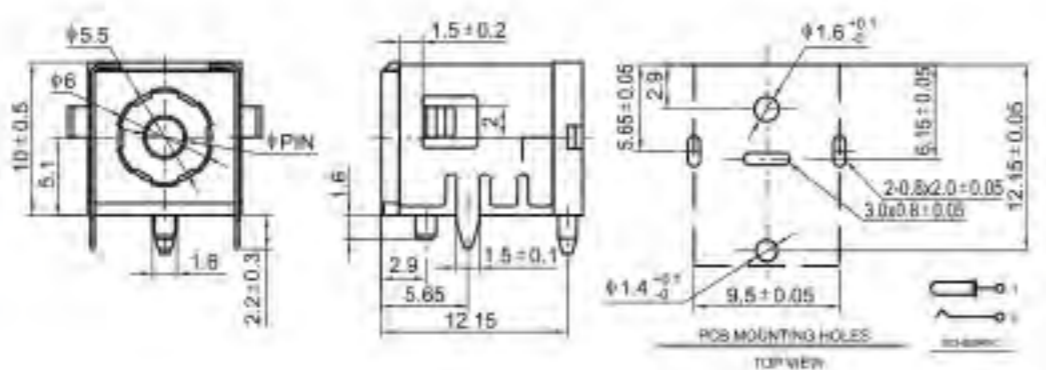
DC-1005A



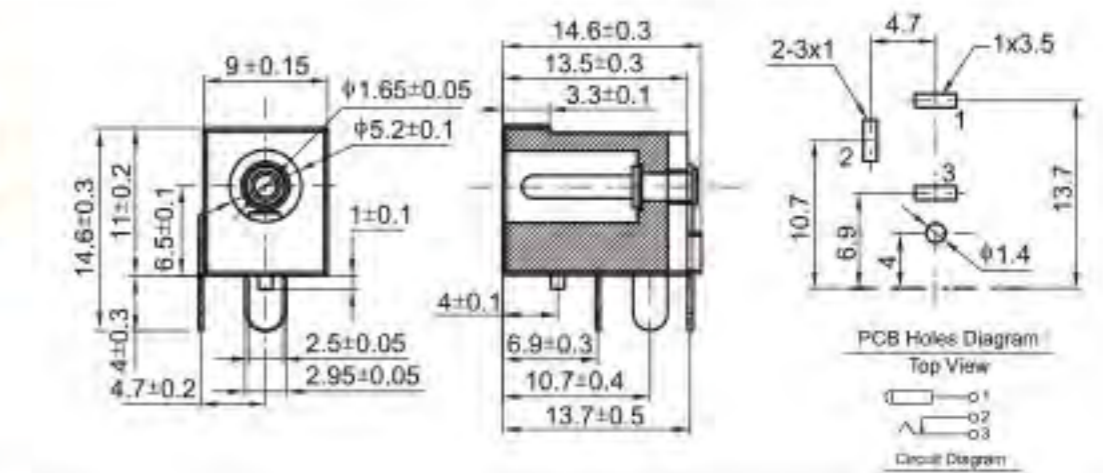
DC-10010



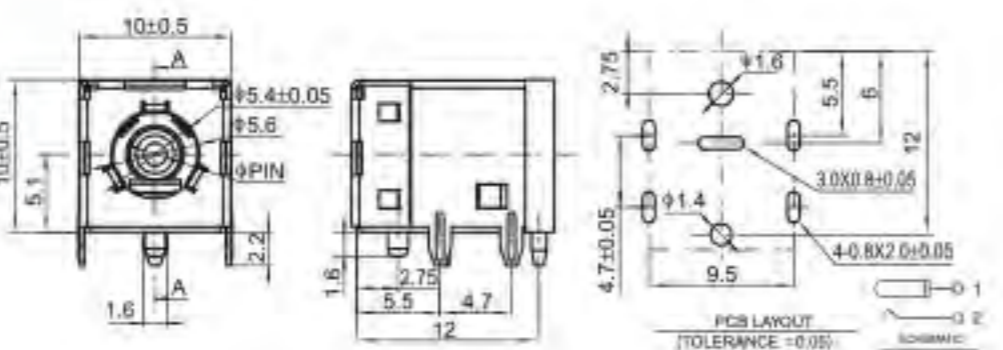
DC-1005D



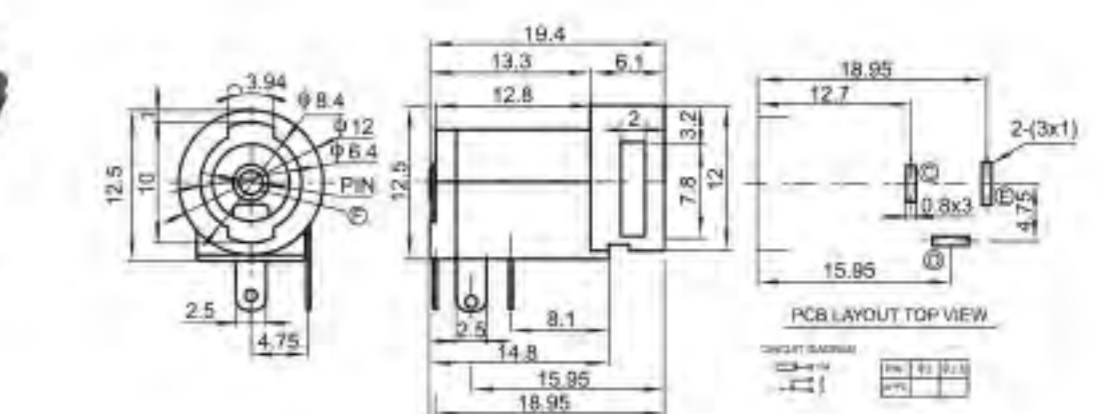
DC-1001D



DC-1005F



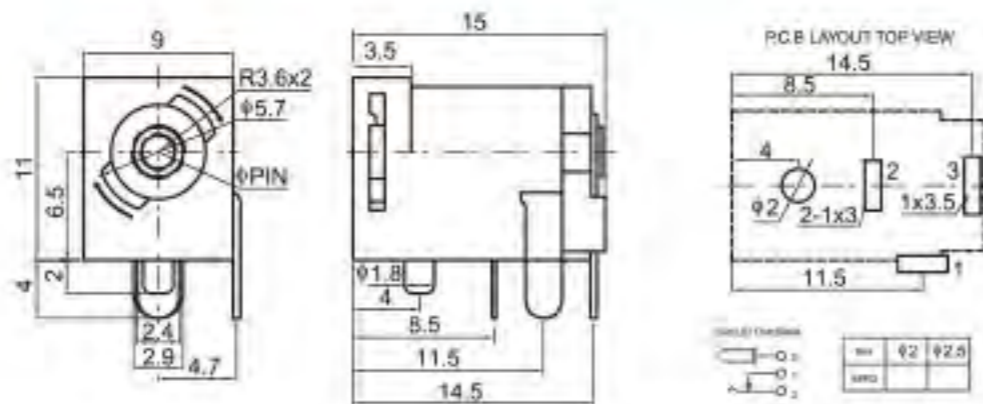
DC-1001T



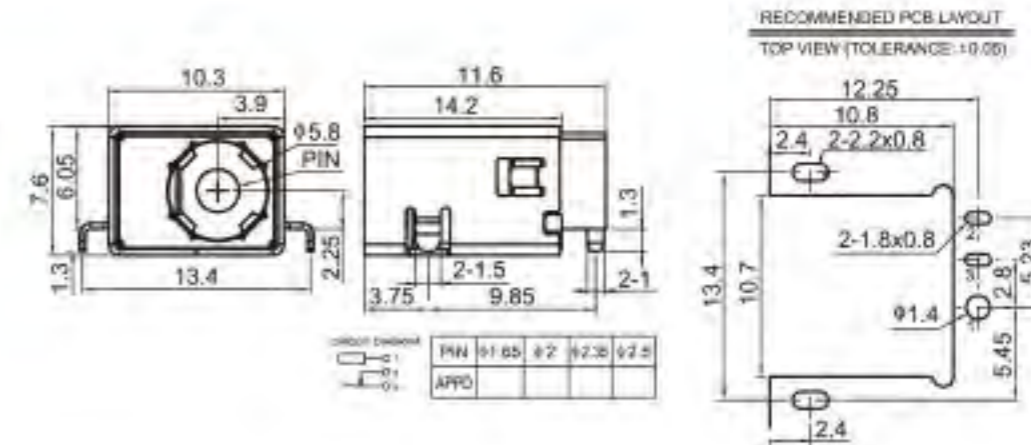
DC-1005J



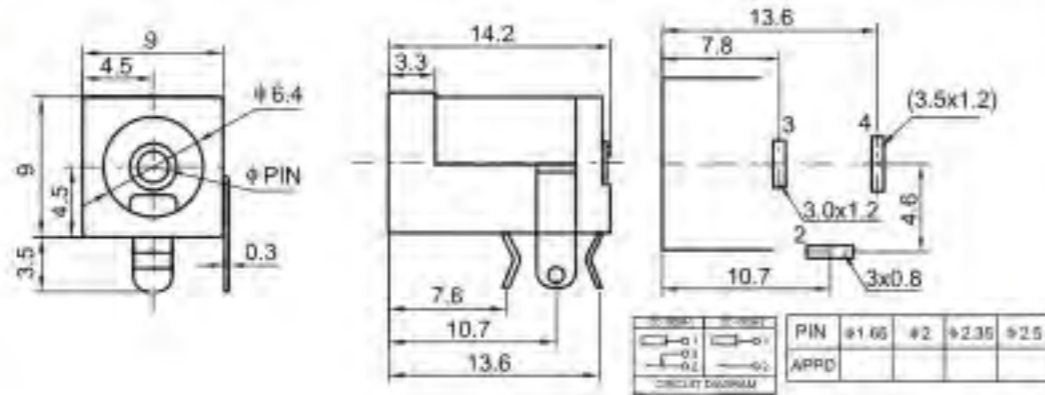
DC-1005M



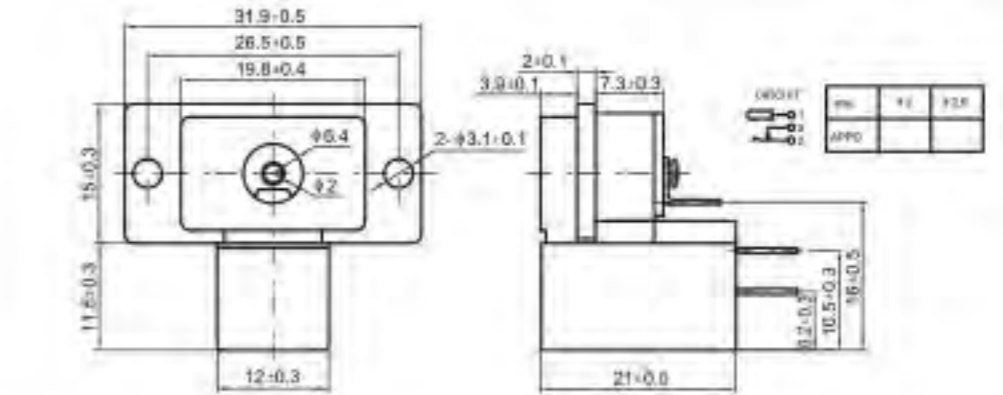
DC-10160



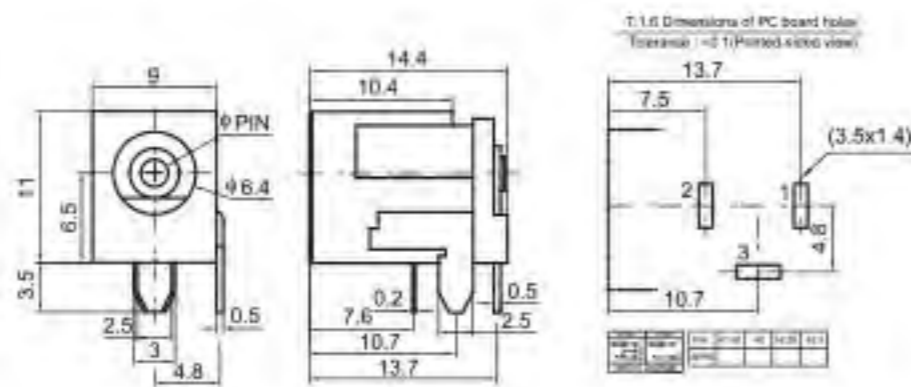
DC-1005R



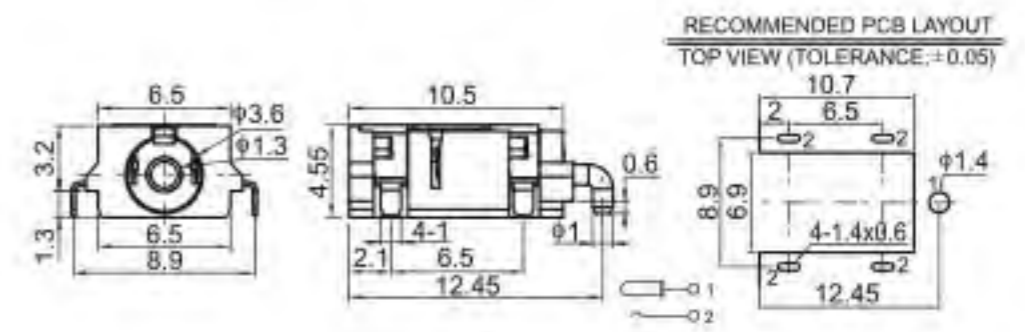
DC-10170



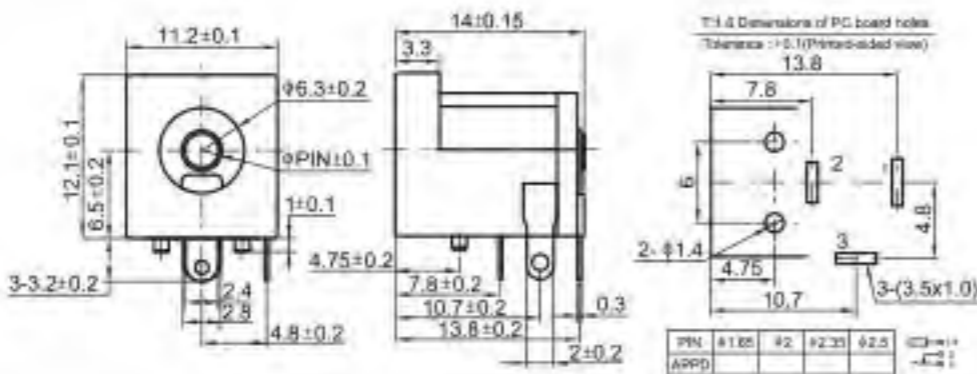
DC-1005T



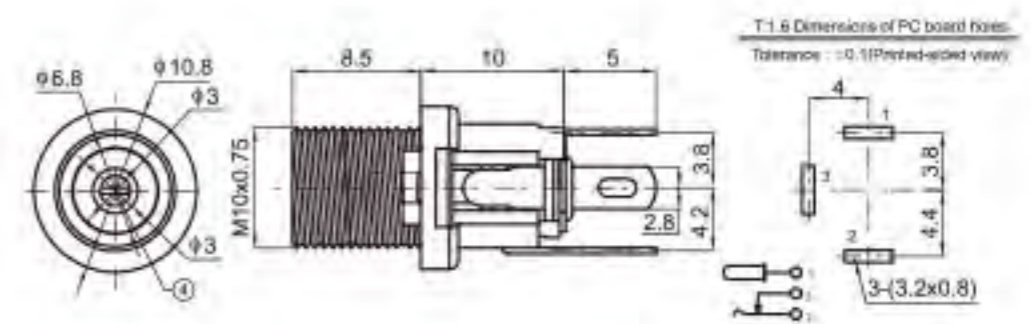
DC-1023D



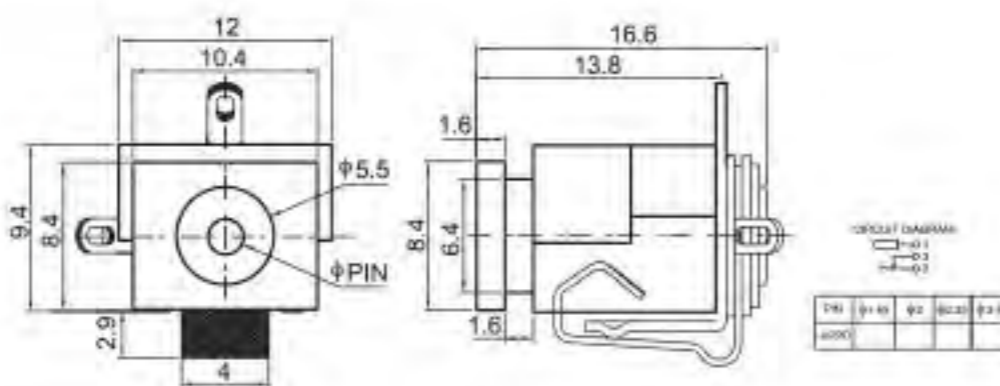
DC-1005X



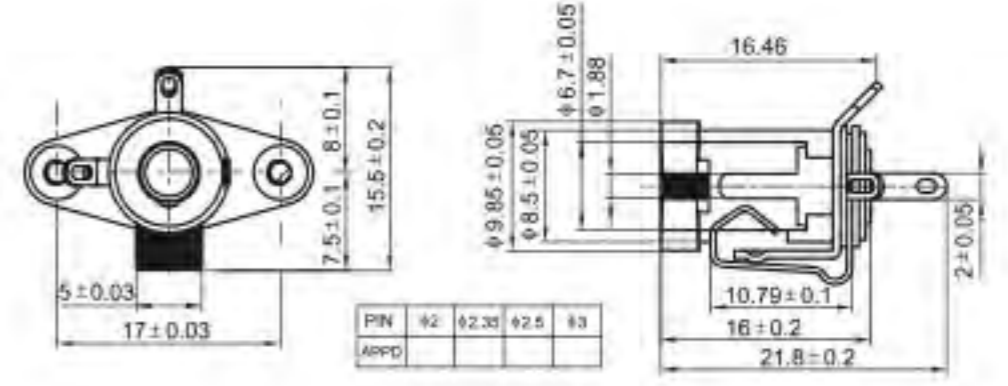
DC-1025M



DC-1018A



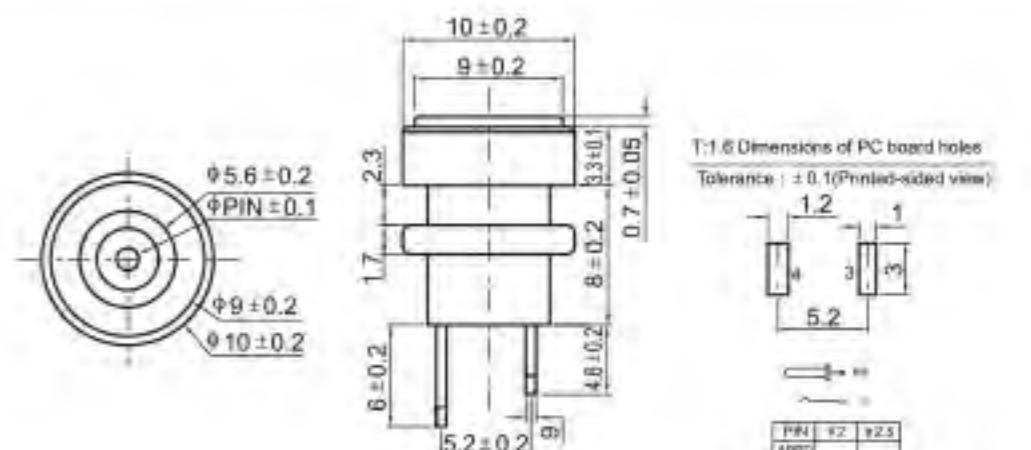
DC-1018T



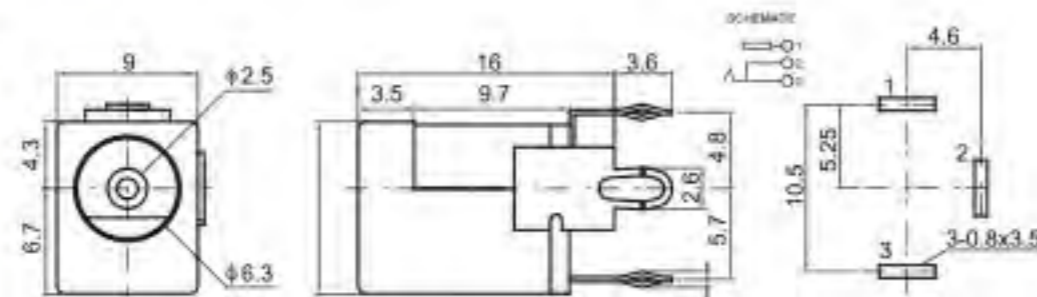
DC-10120



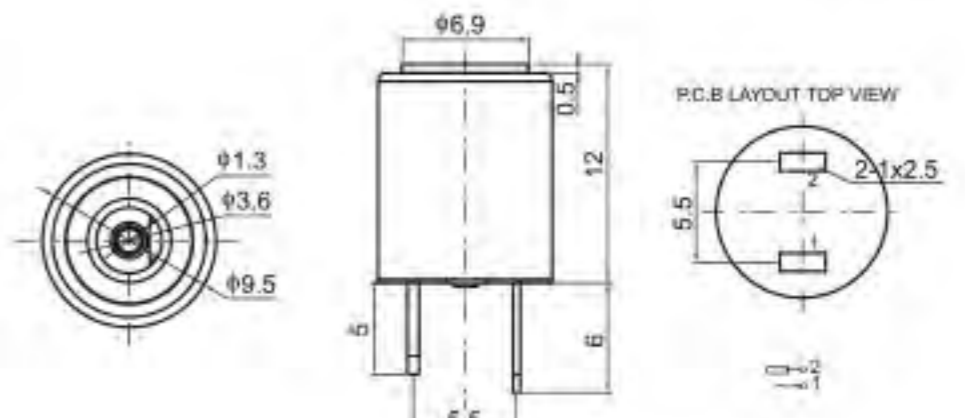
DC-1022B

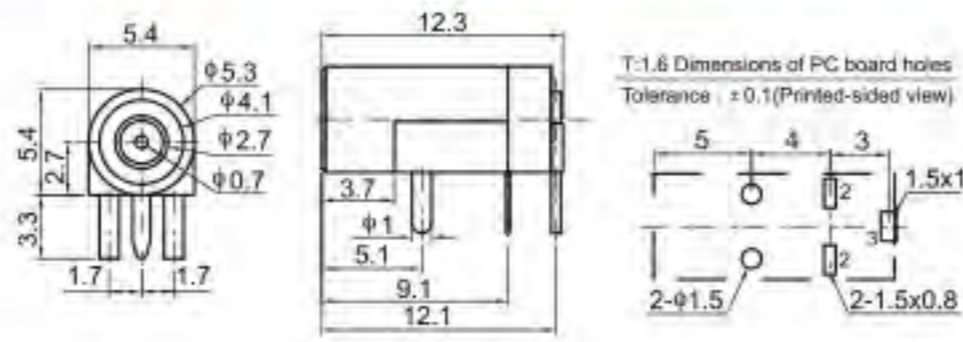


DC-10130

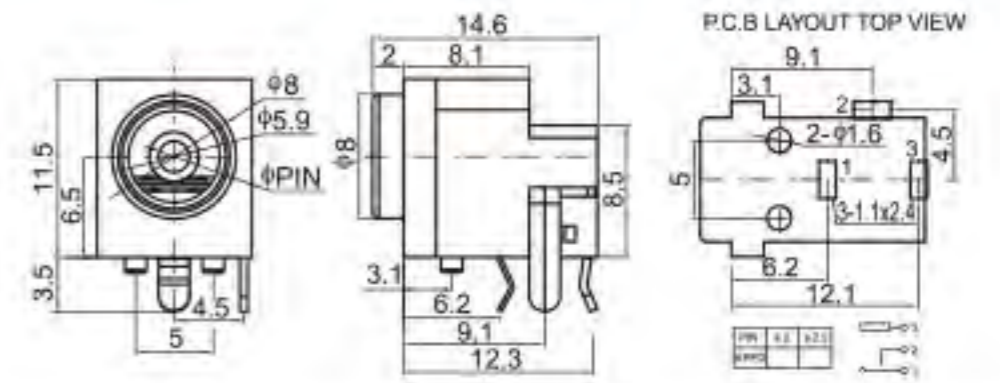


DC-1022F

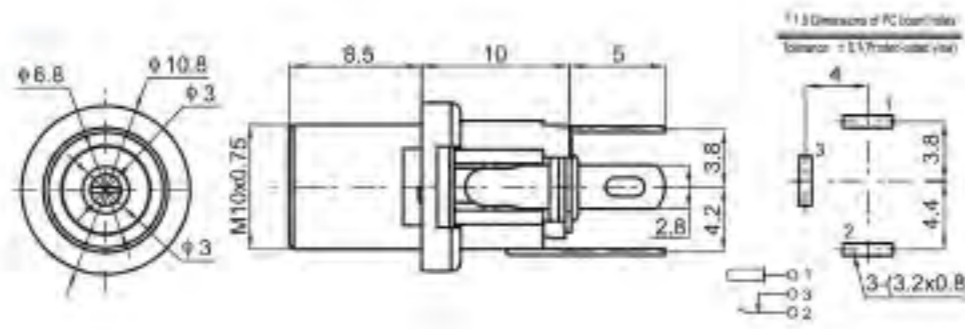




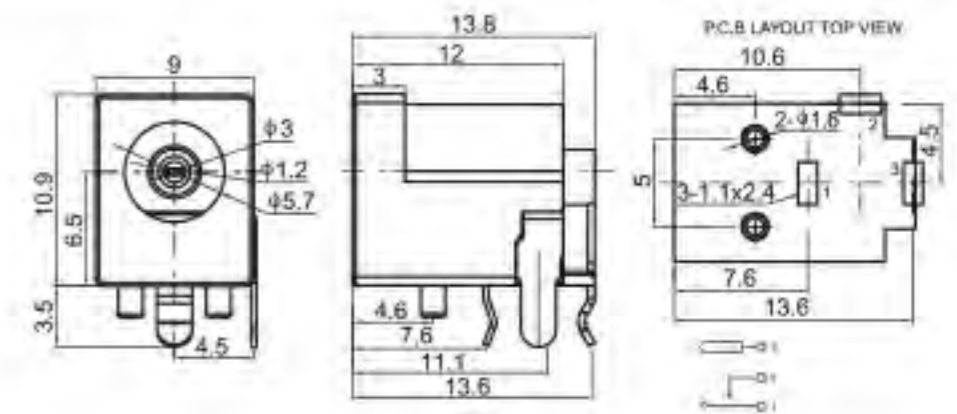
DC-1022T



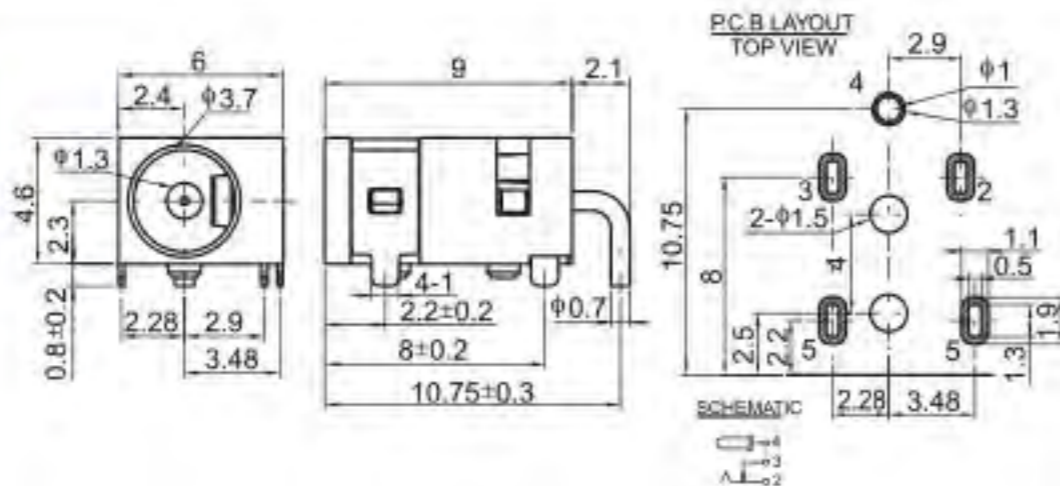
DC-1038F



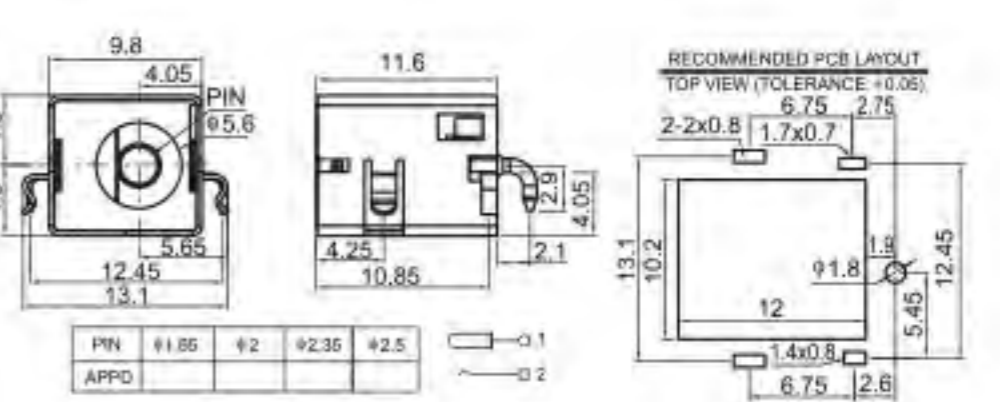
DC-10250



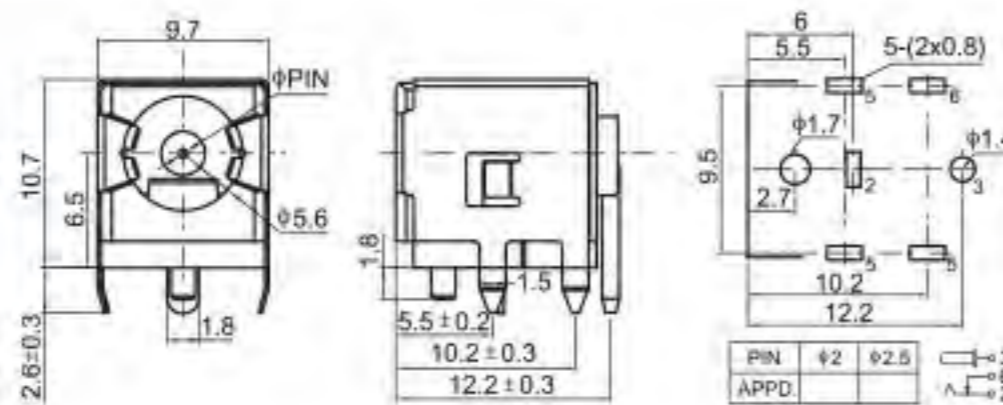
DC-1038T



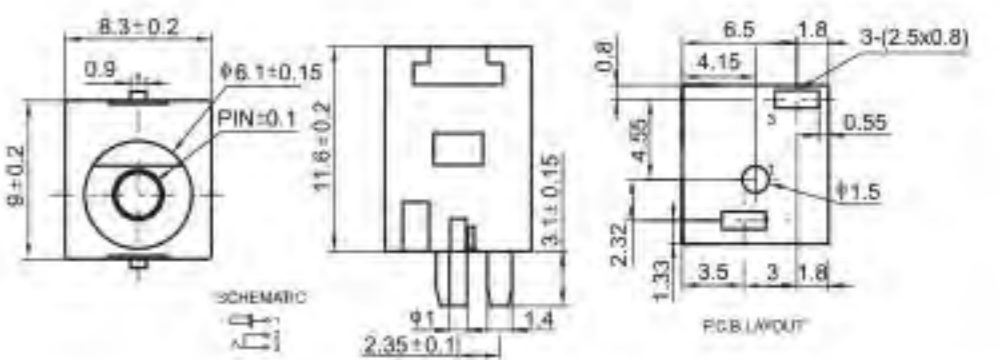
DC-10260



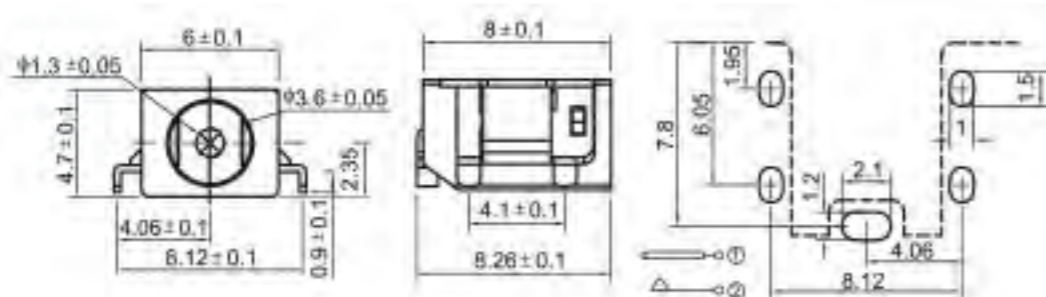
DC-1044B



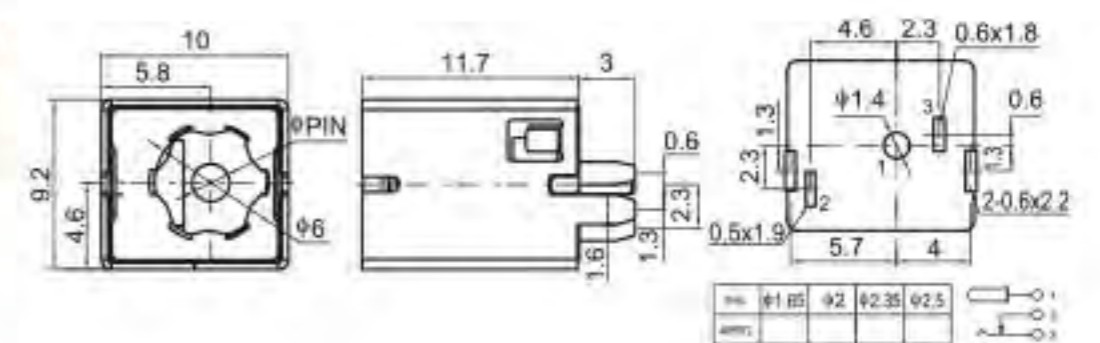
DC-1035A



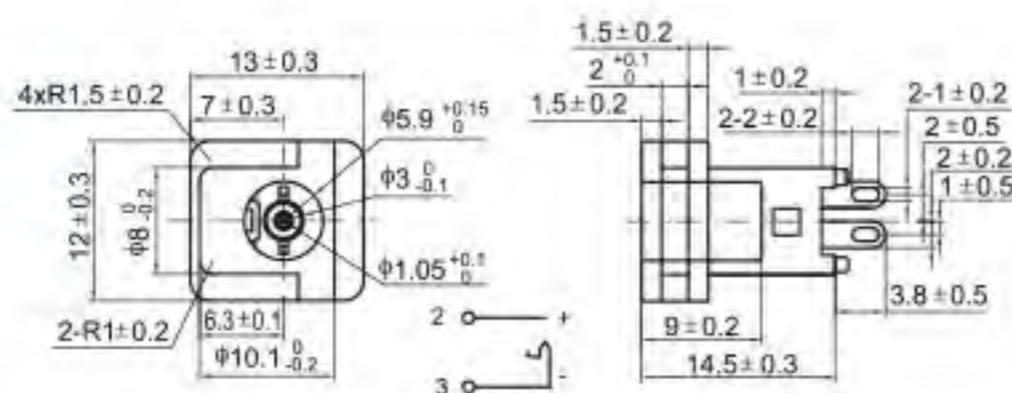
DC-1051A



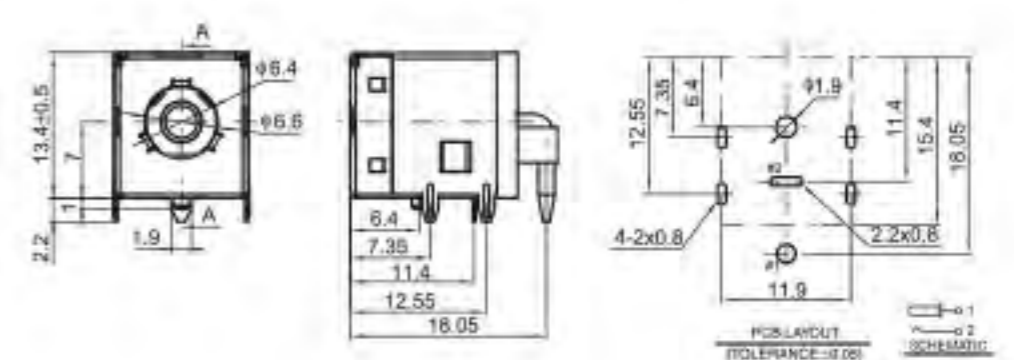
DC-1035B



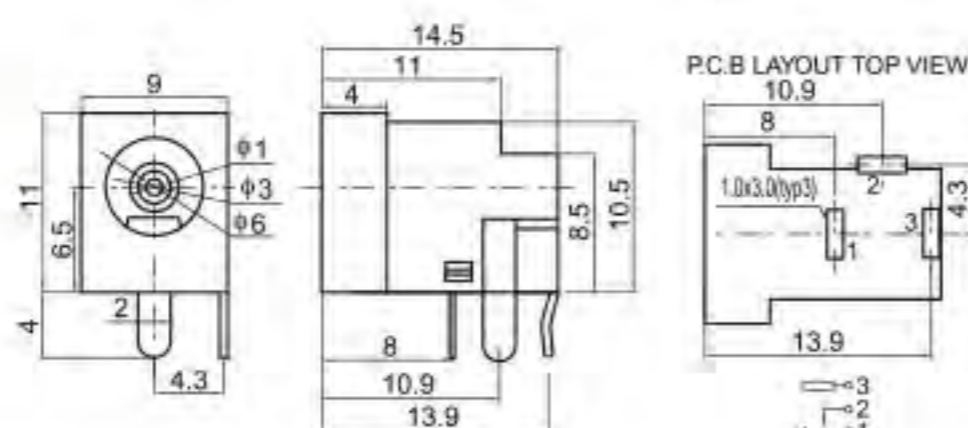
DC-1051B



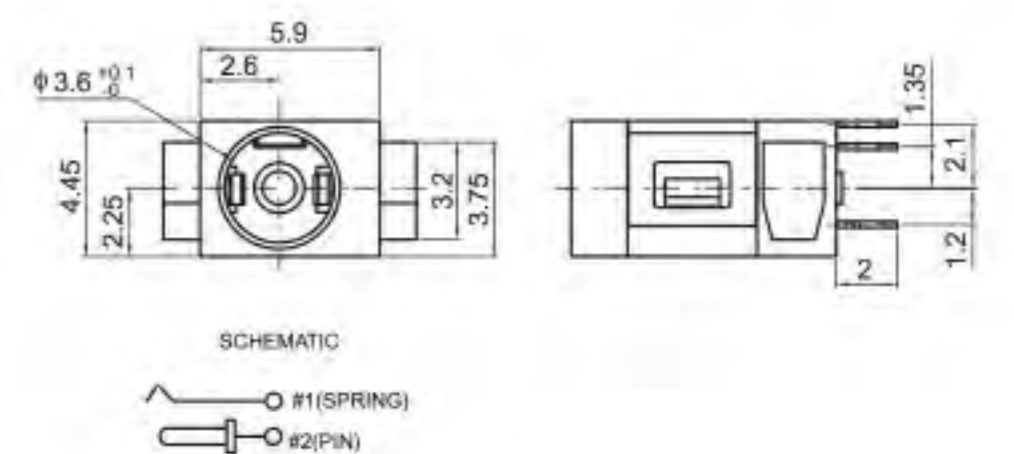
DC-1037F



DC-1052C



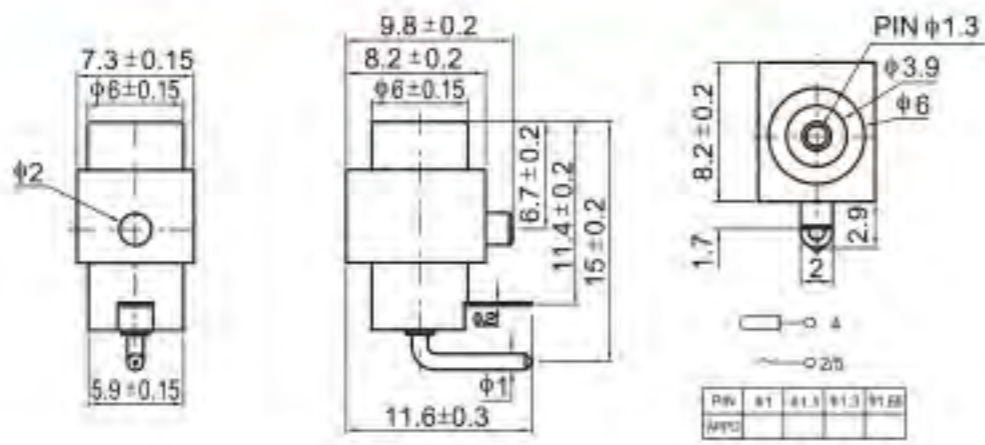
DC-10380



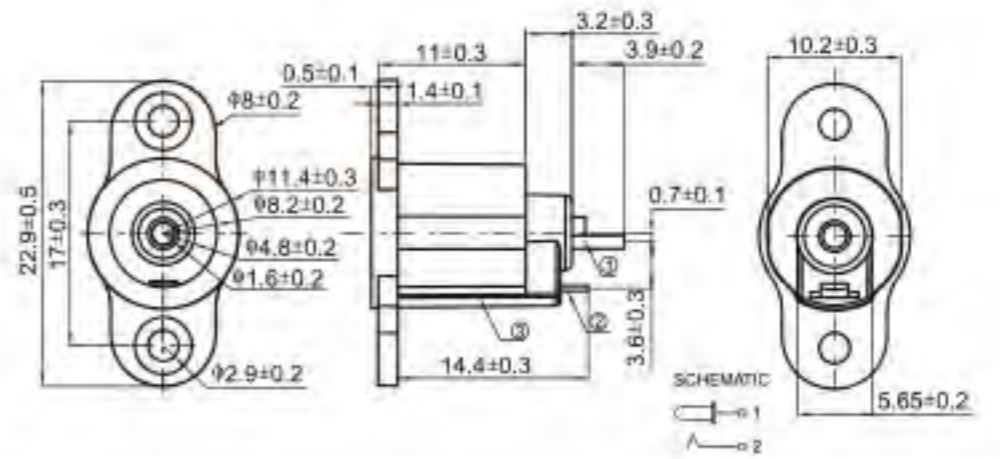
DC-10524



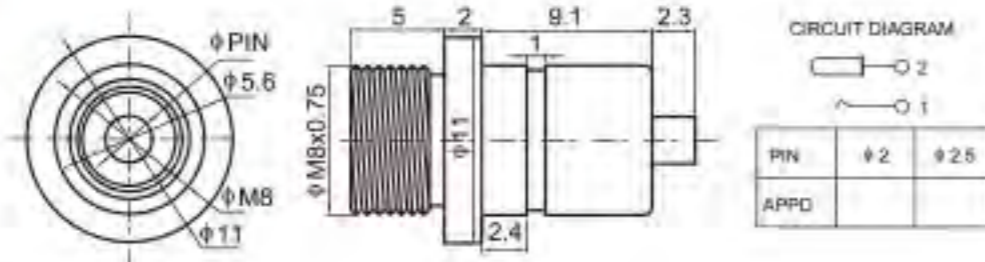
DC-1083A



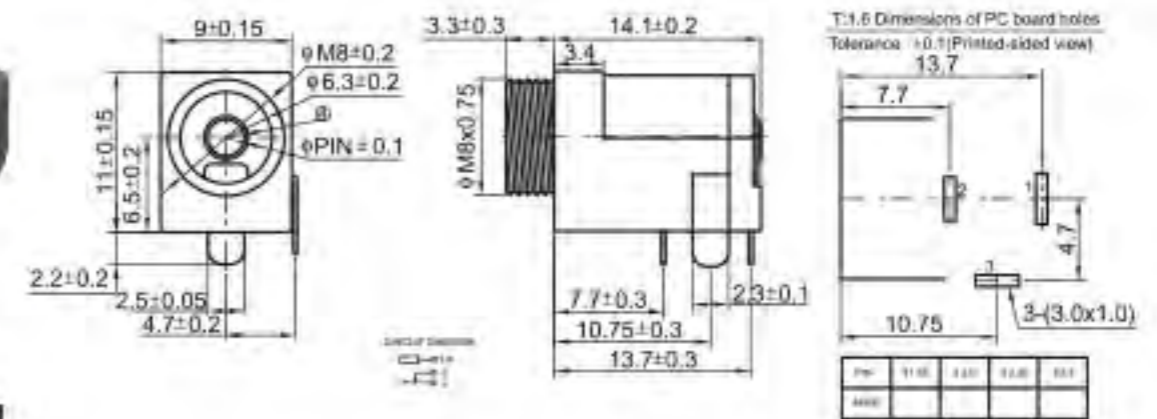
DC-18010



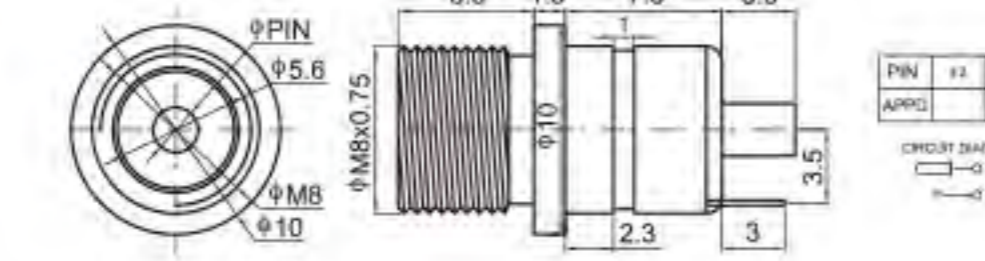
DC-1084A



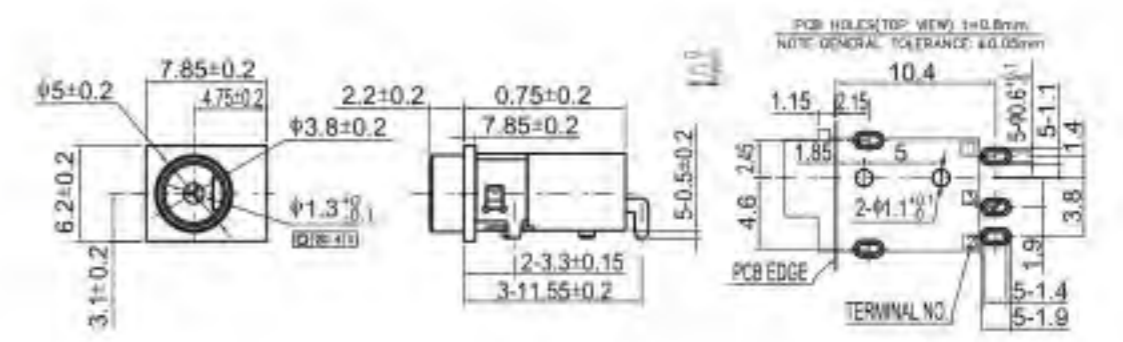
DC-2005M



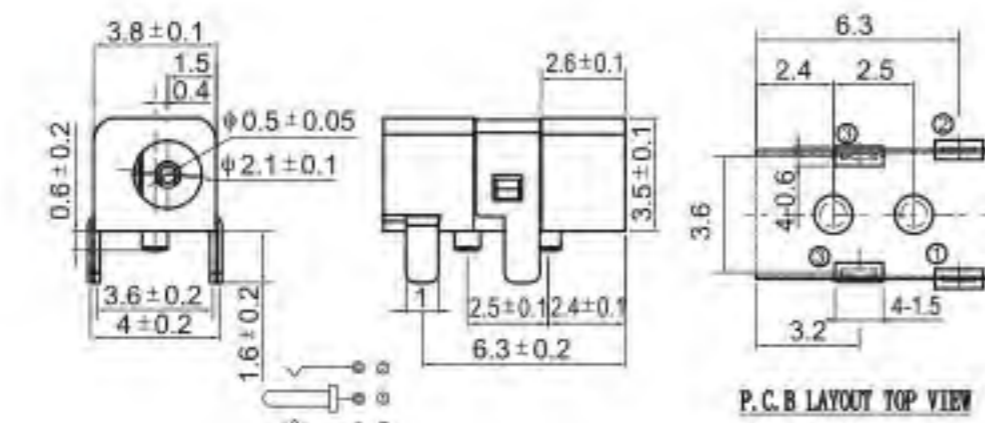
DC-1084M



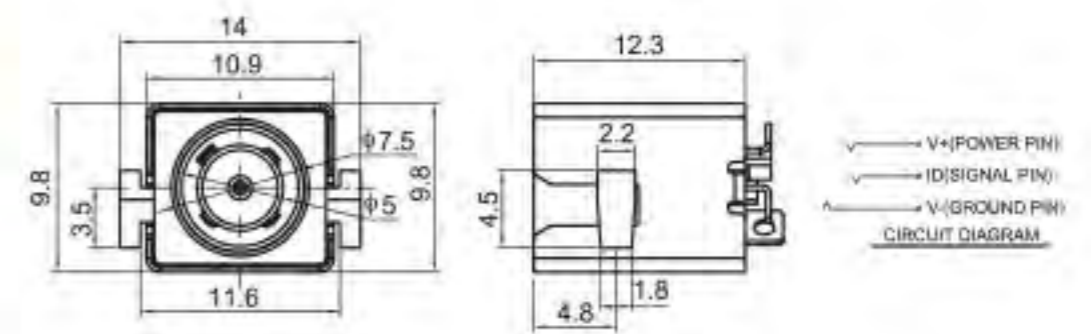
DC-20300



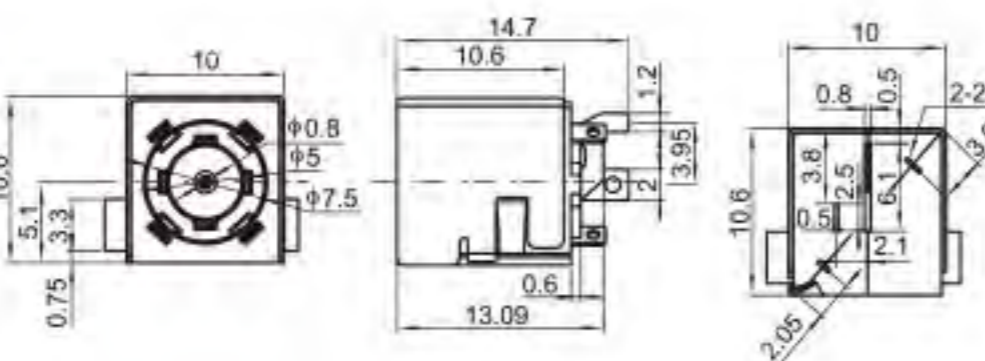
DC-1103A



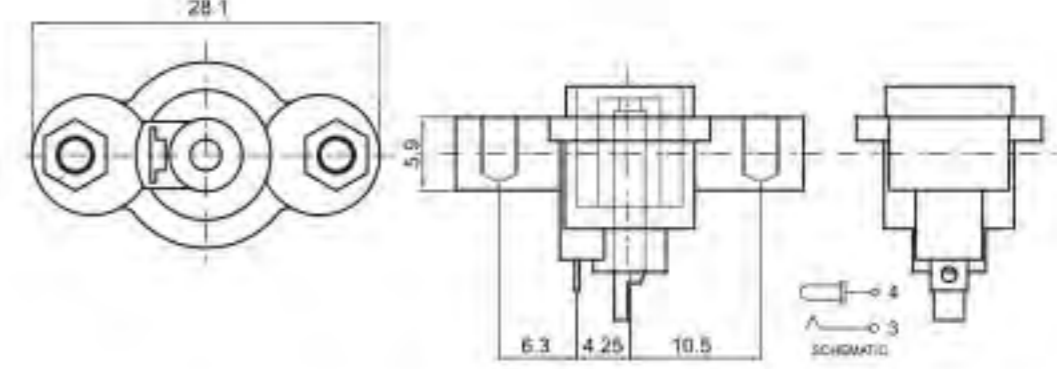
DC-21130



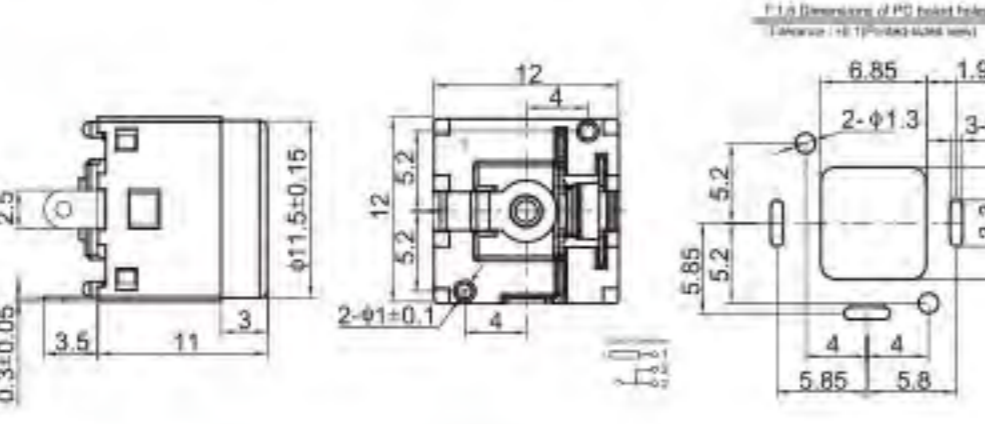
DC-1153F



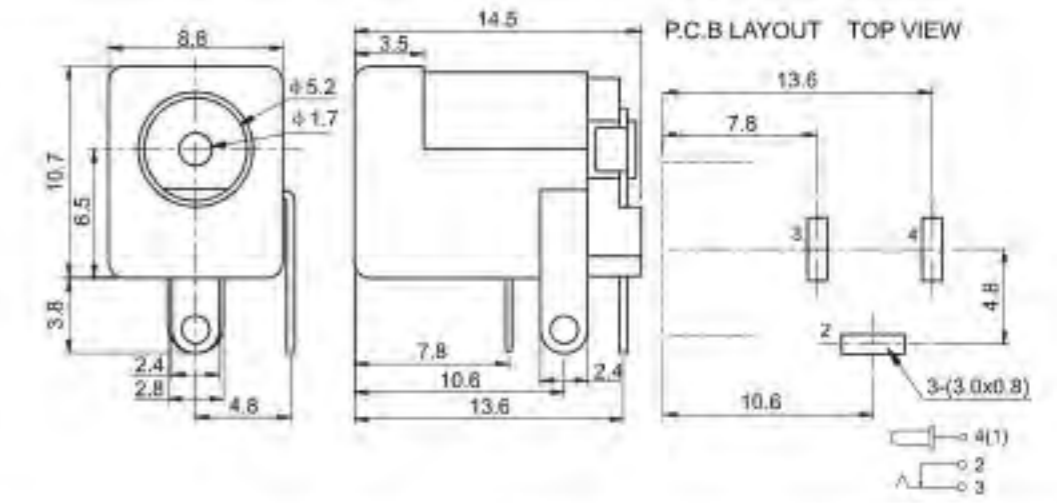
DC-28010



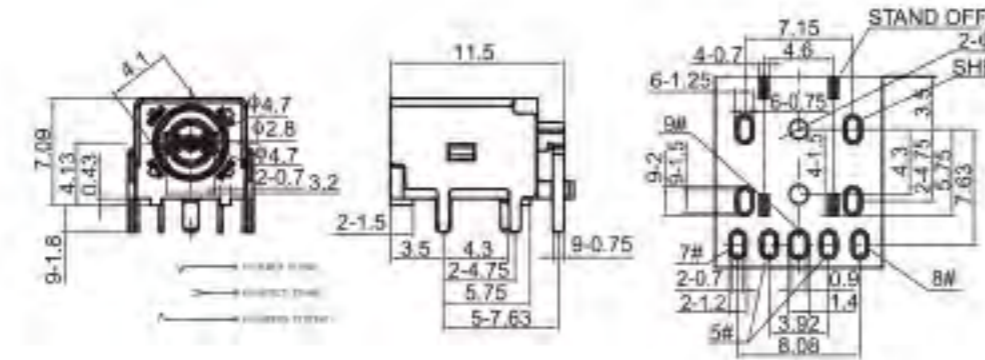
DC-1151T



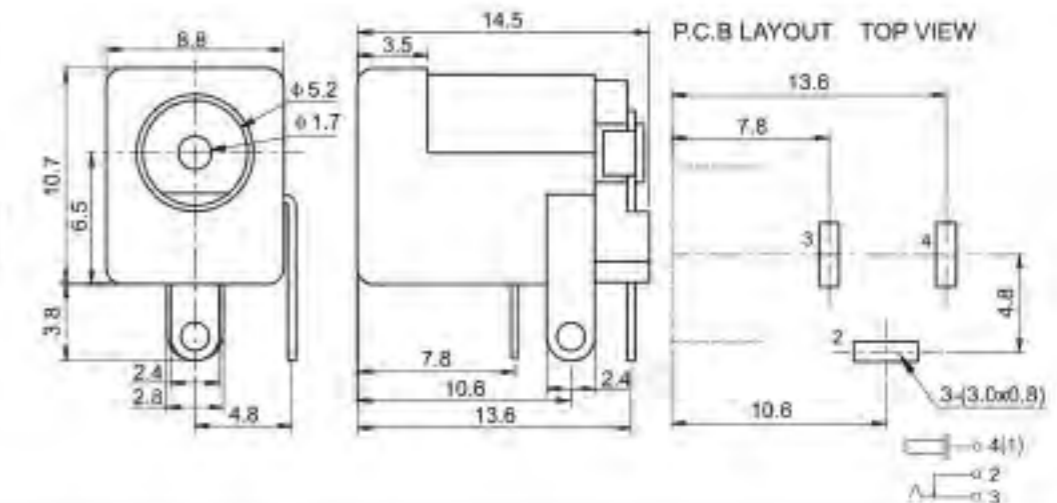
DC-50050



DC-14707



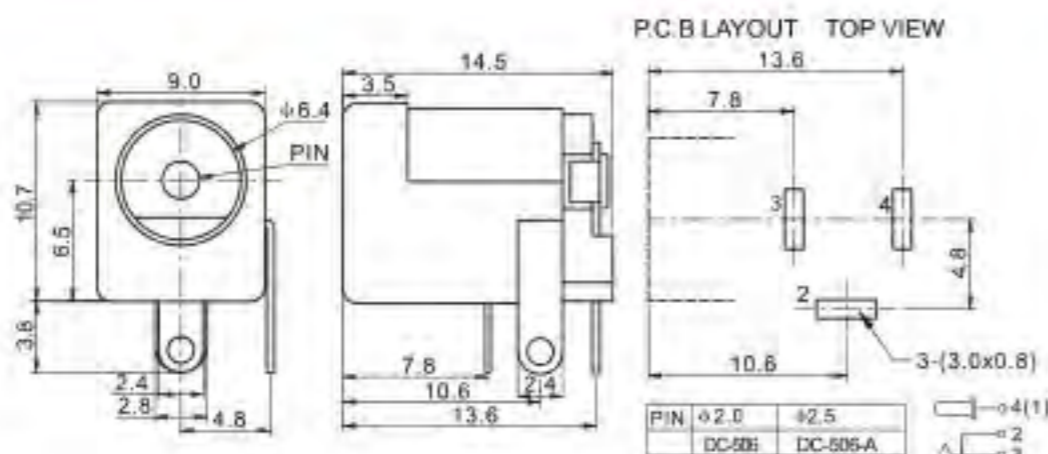
DC-5005C



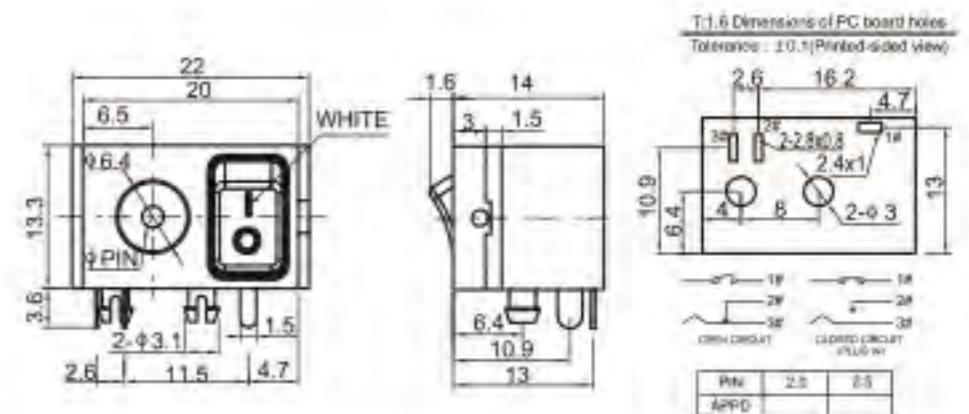




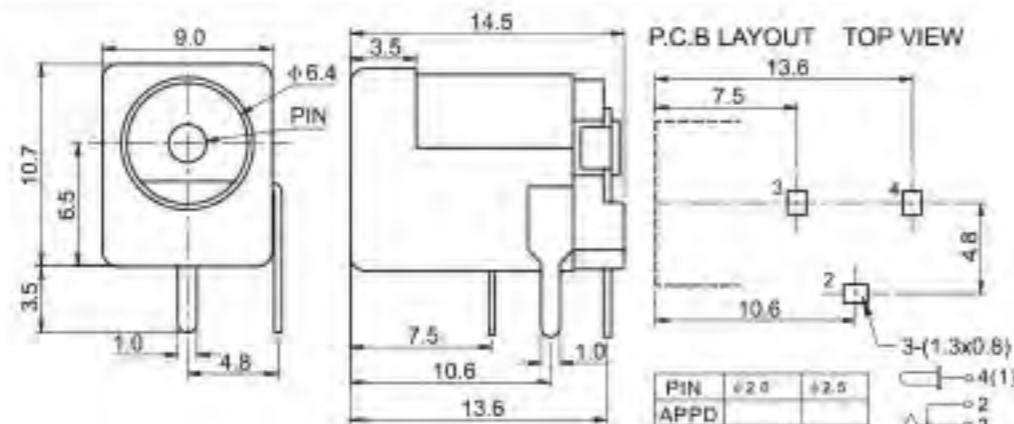
DC-50060



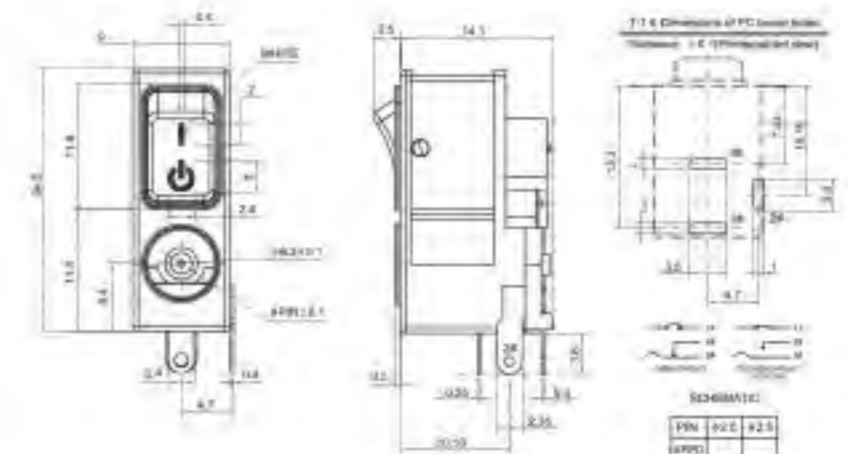
KCD-DC-00040



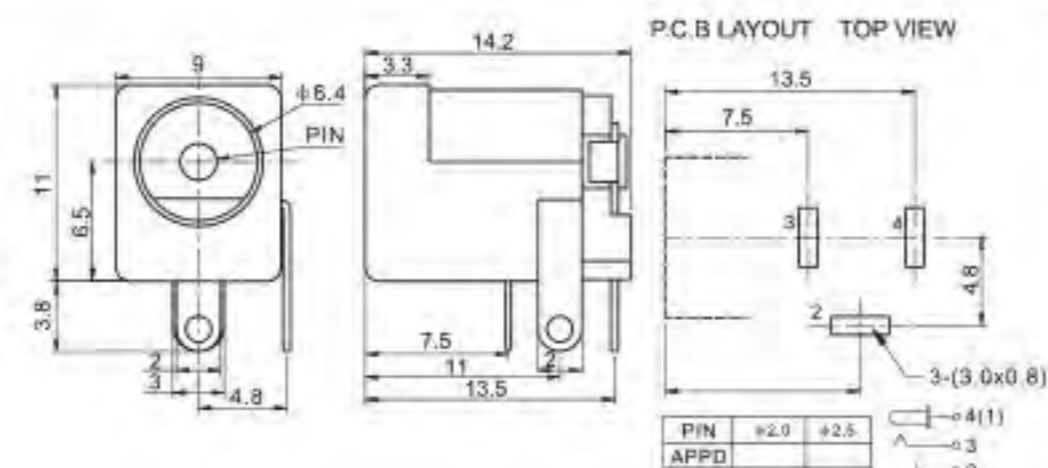
DC-5006B



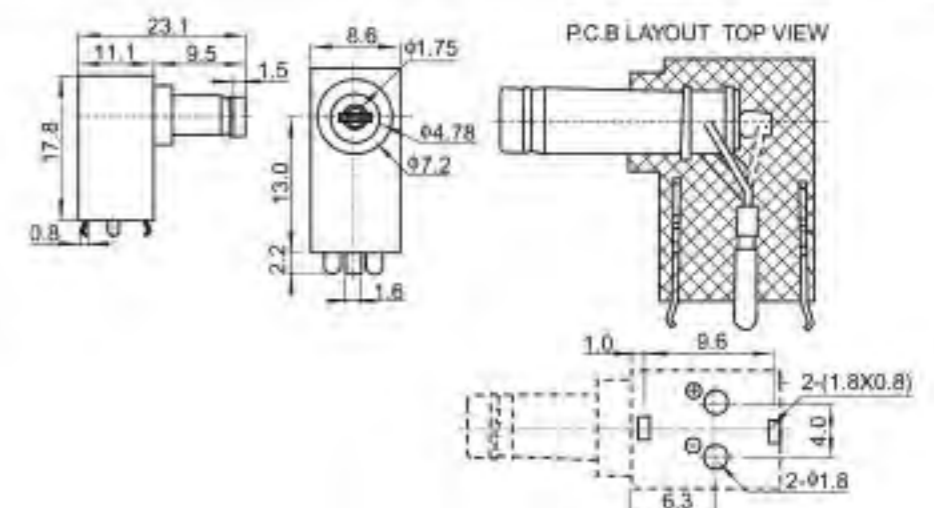
KCD-DC-00050



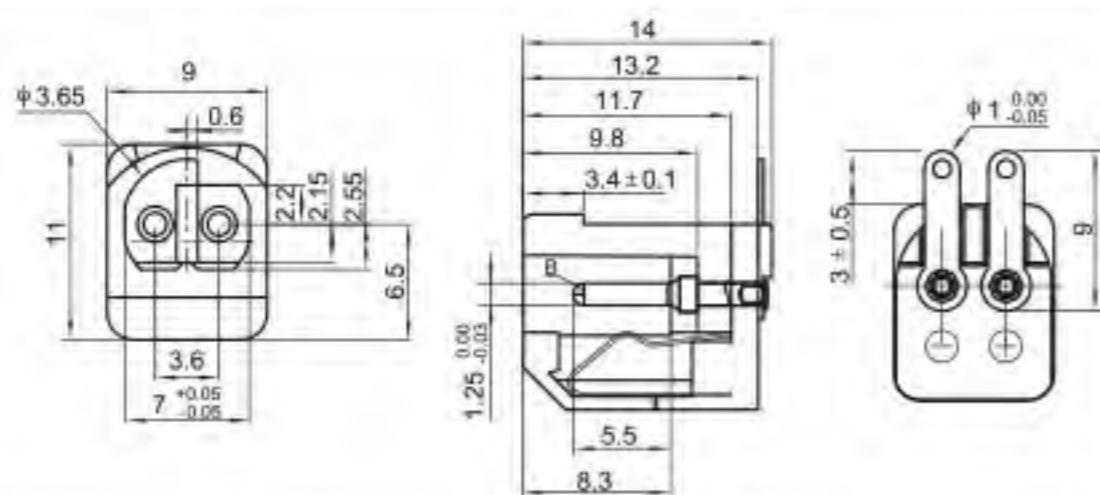
DC-50080



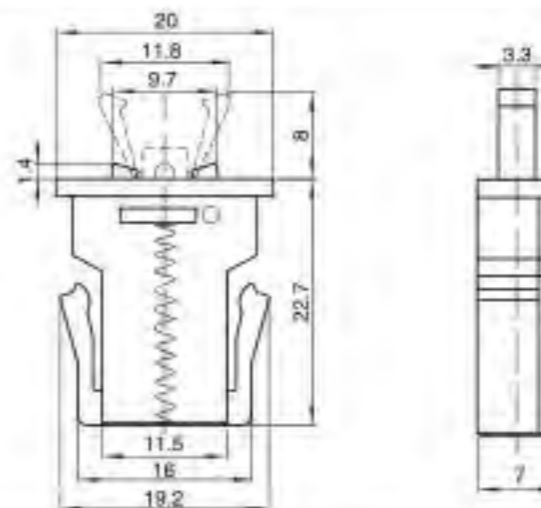
DC-P1750



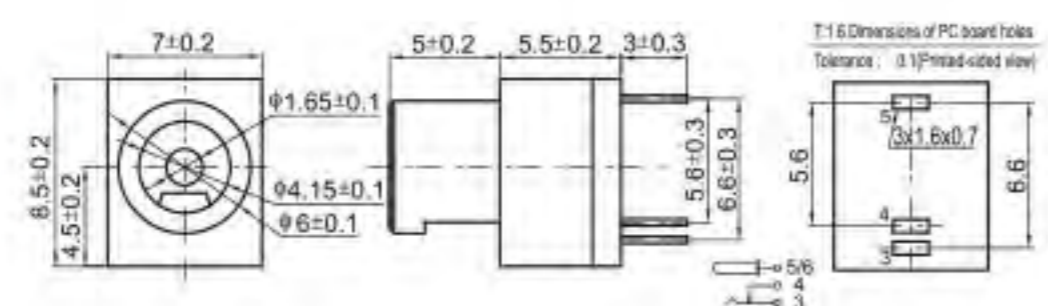
DC-50090



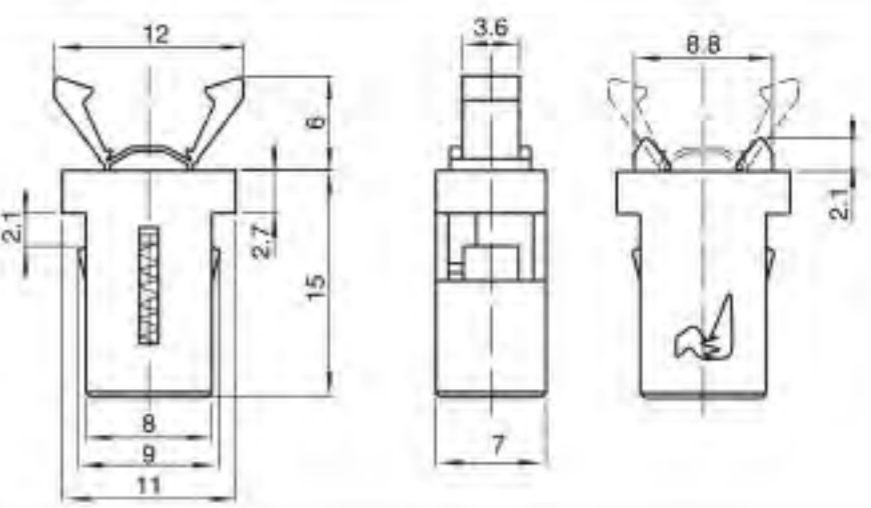
PR-01



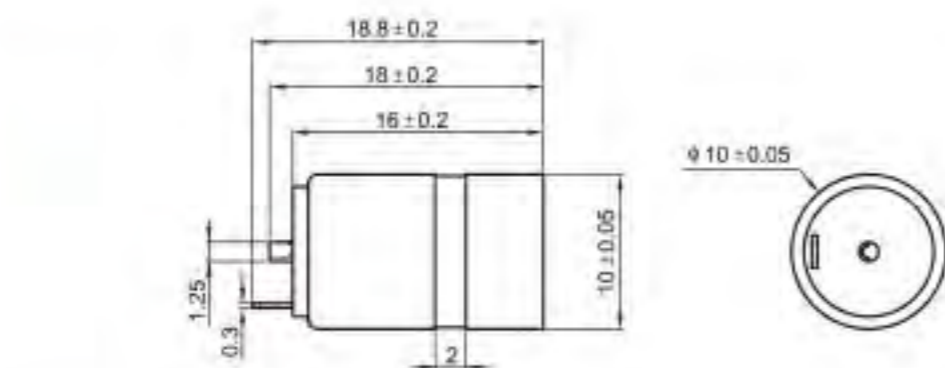
DC-51600



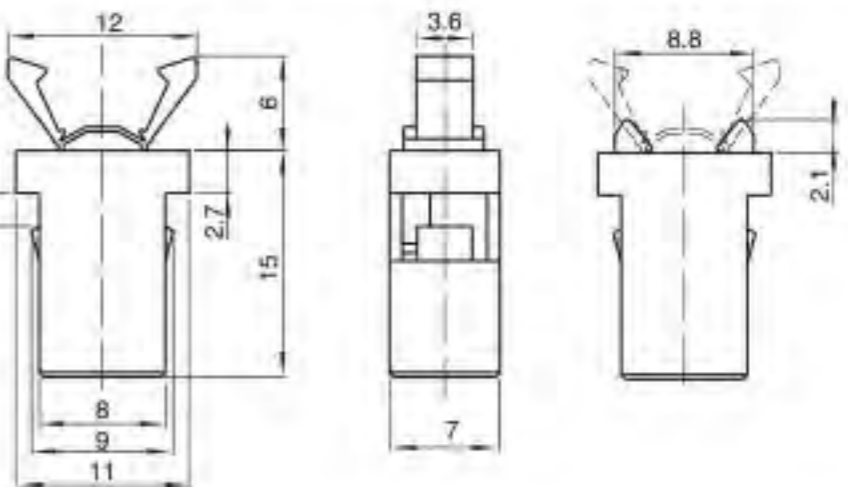
PR-02



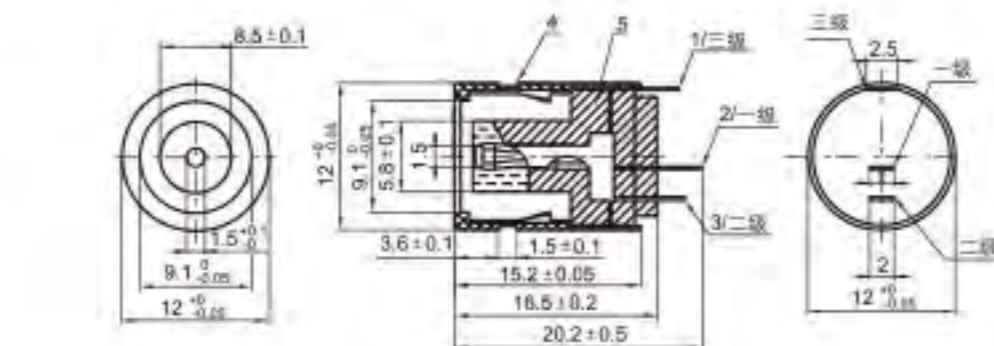
DC-74060



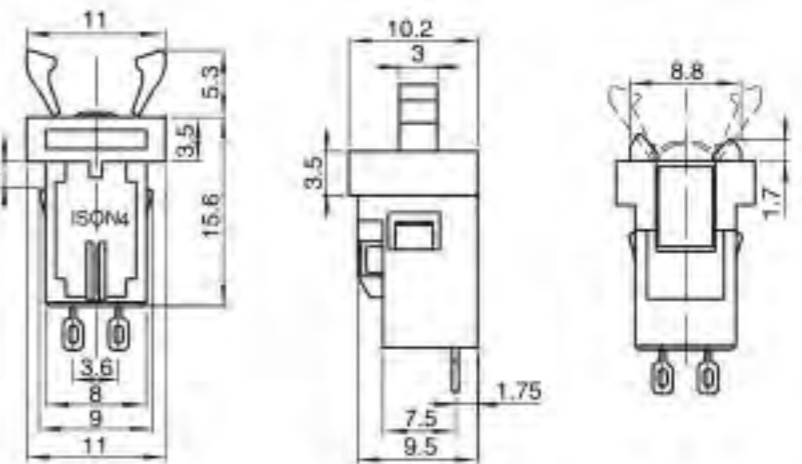
PR-03



DC-90150

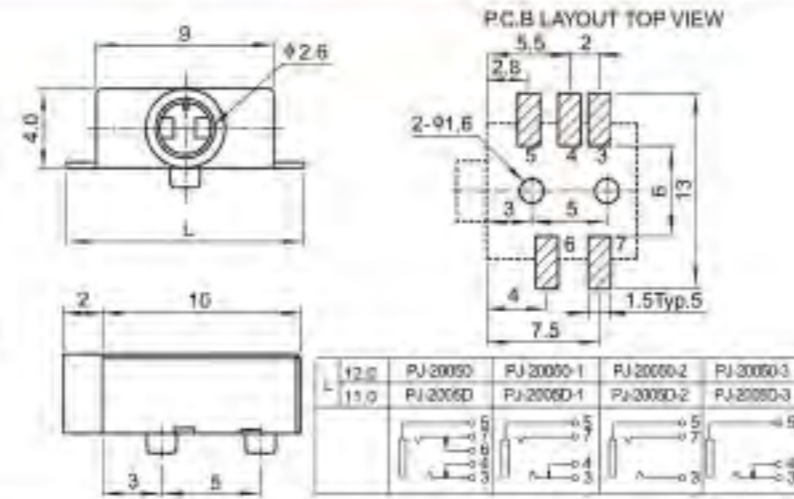


PR-04

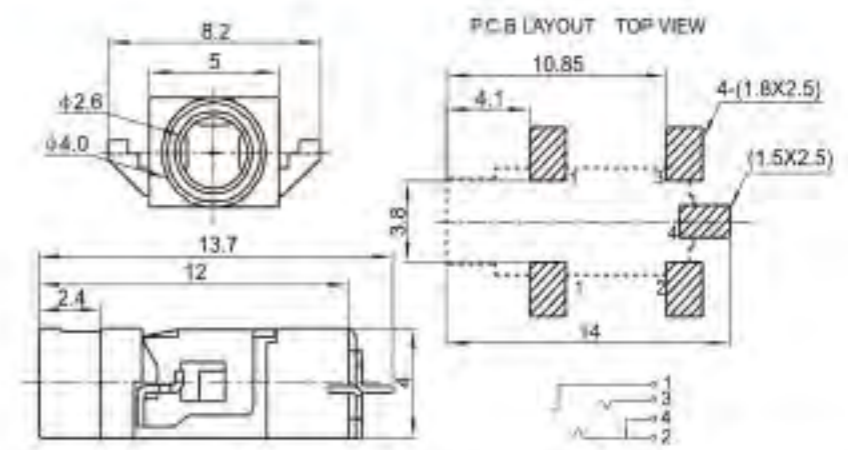




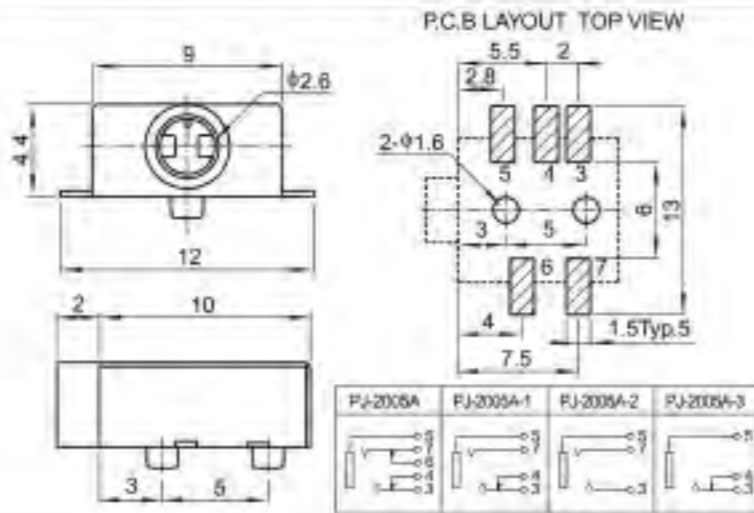
PJ-20050/2005D



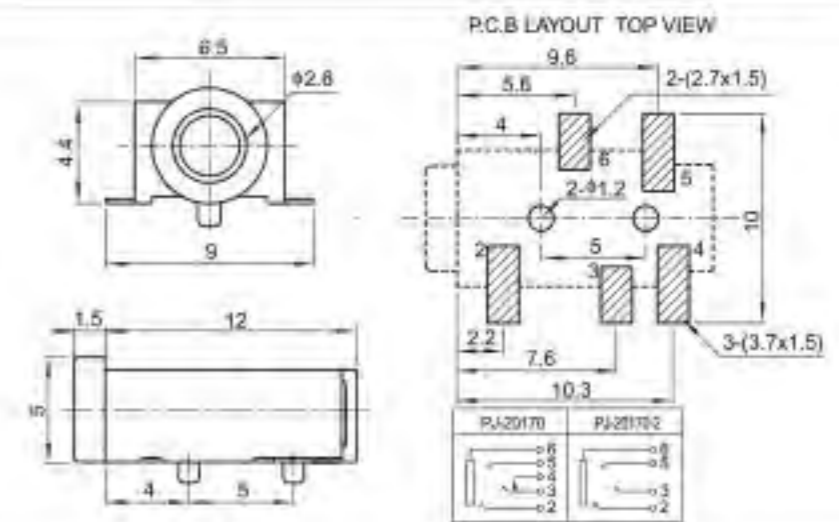
PJ-2009D



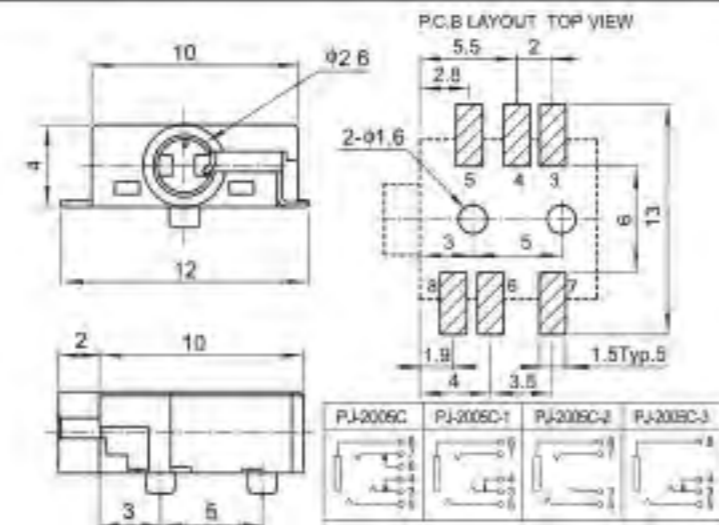
PJ-2005A



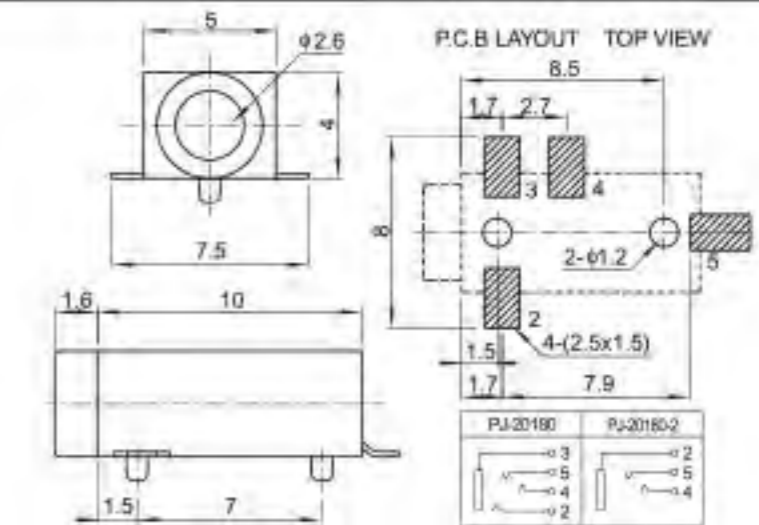
PJ-20170



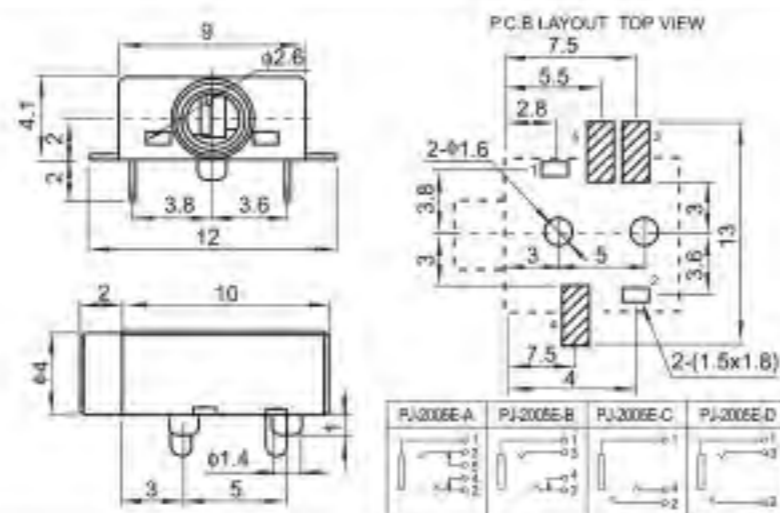
PJ-2005C



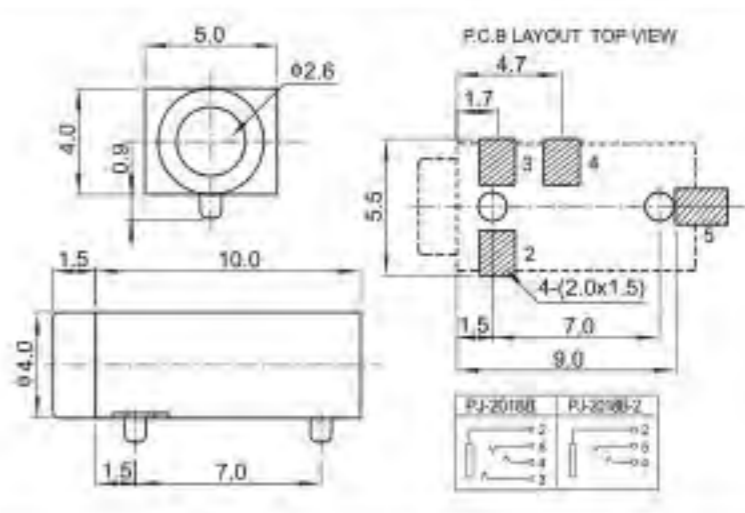
PJ-20180



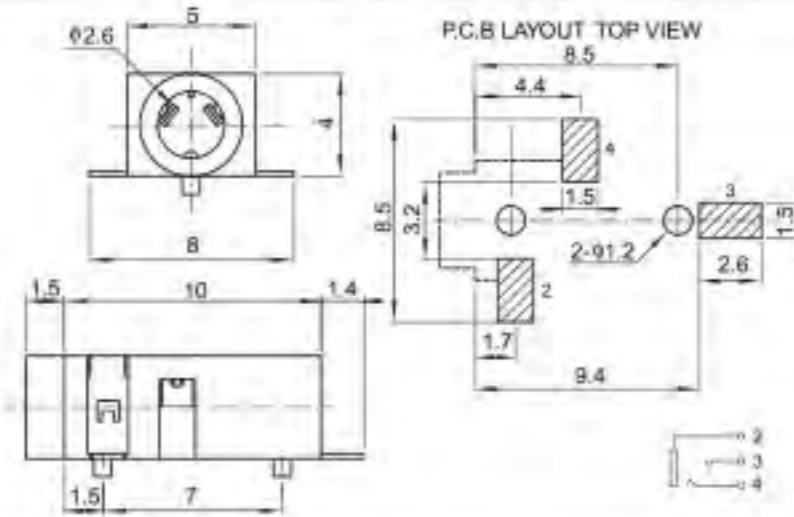
PJ-2005E



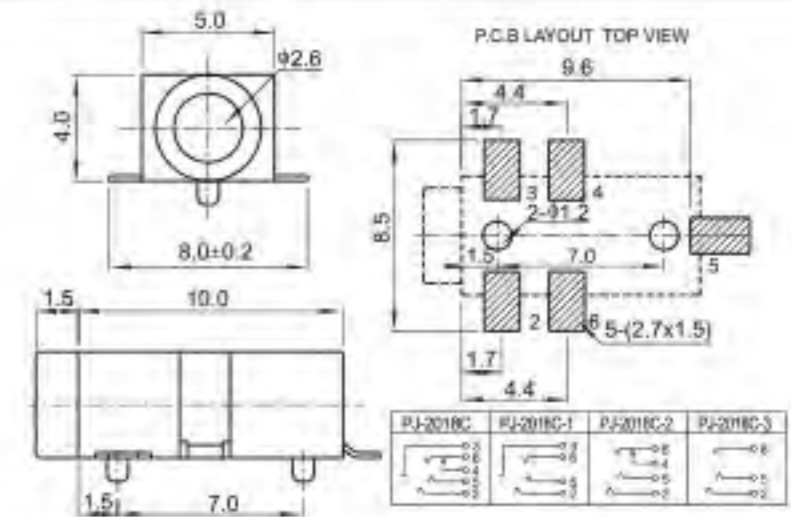
PJ-2018B



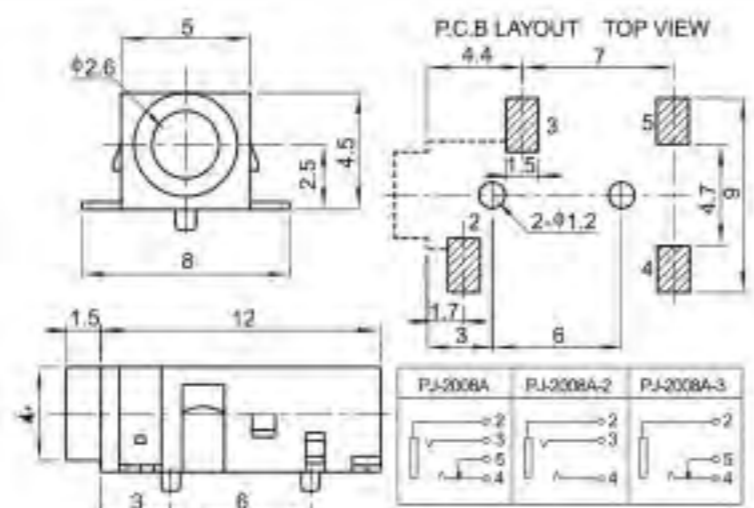
PJ-20080



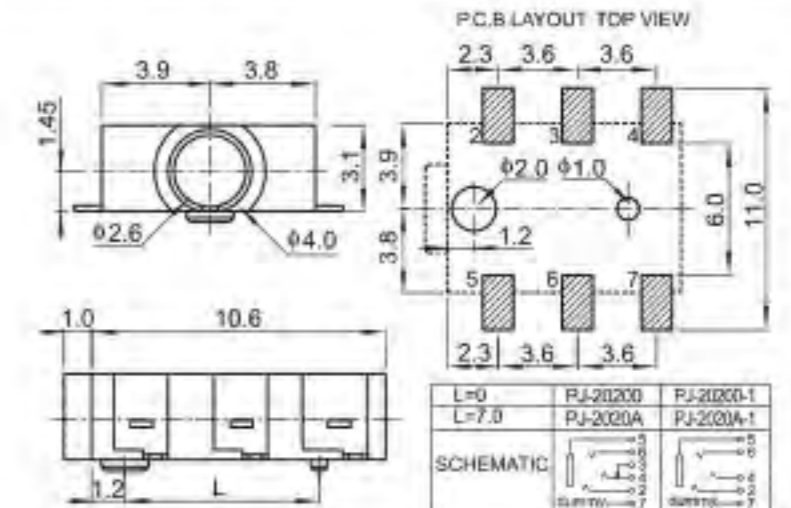
PJ-2018C



PJ-2008A

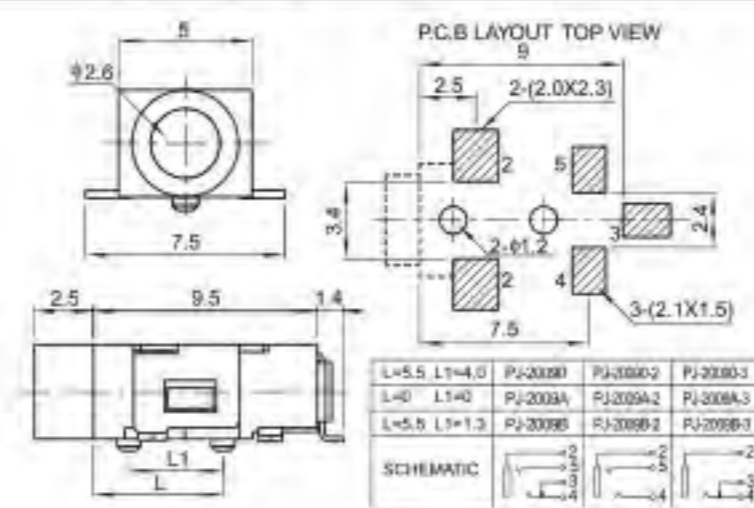


DC-20200

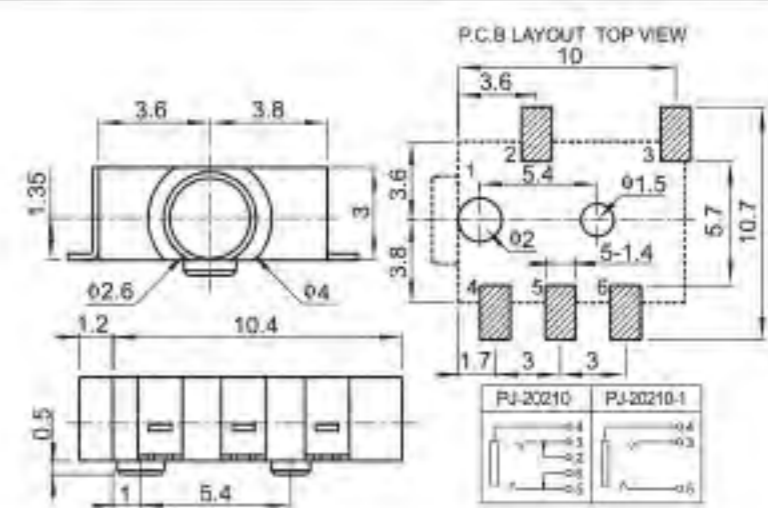


PJ-20090

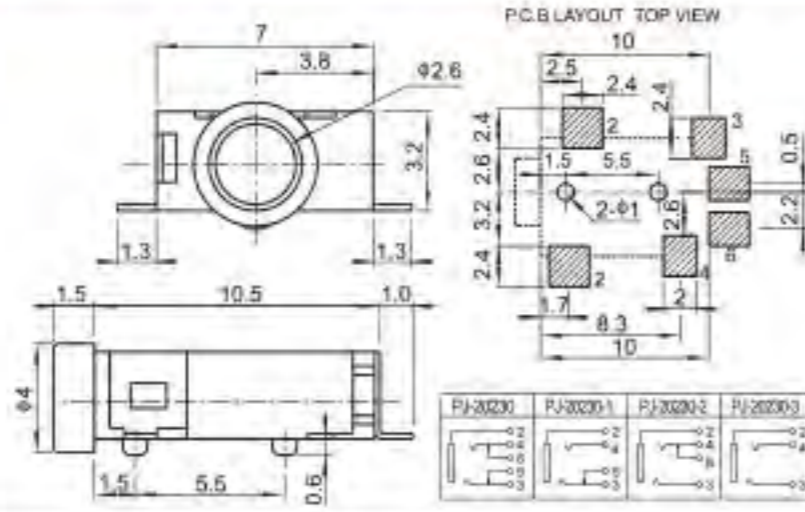
PJ-2009A/2009B



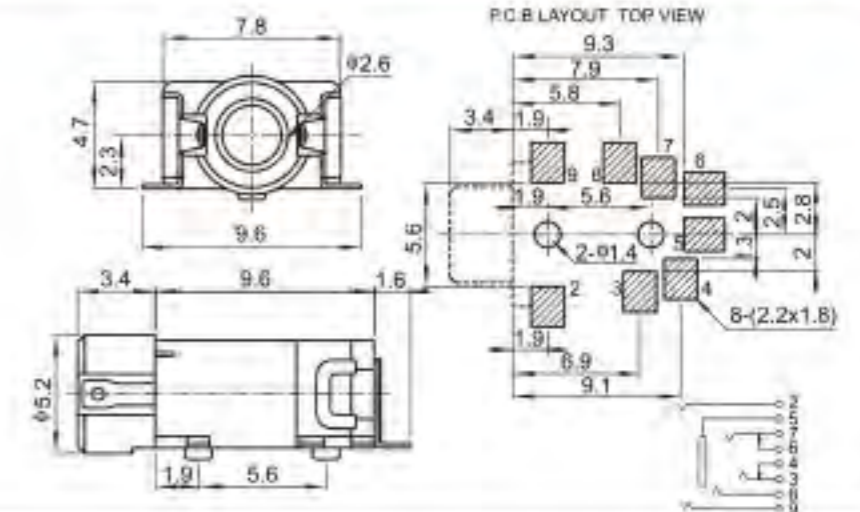
PJ-20210



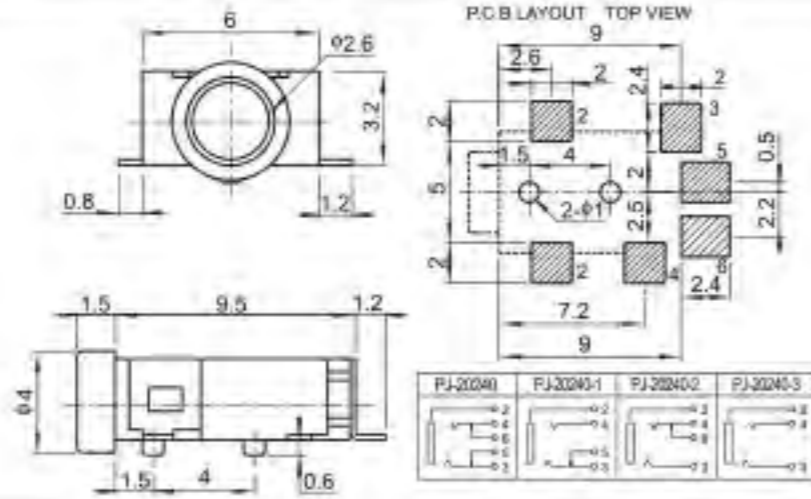
PJ-20230



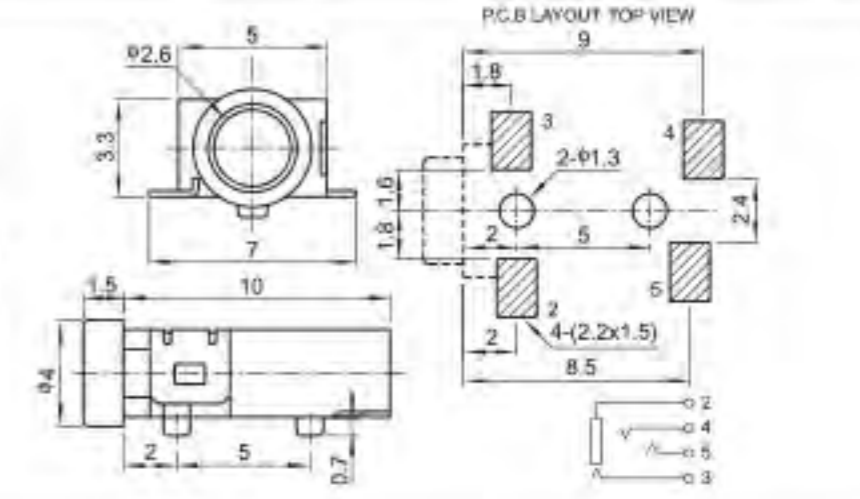
PJ-20320



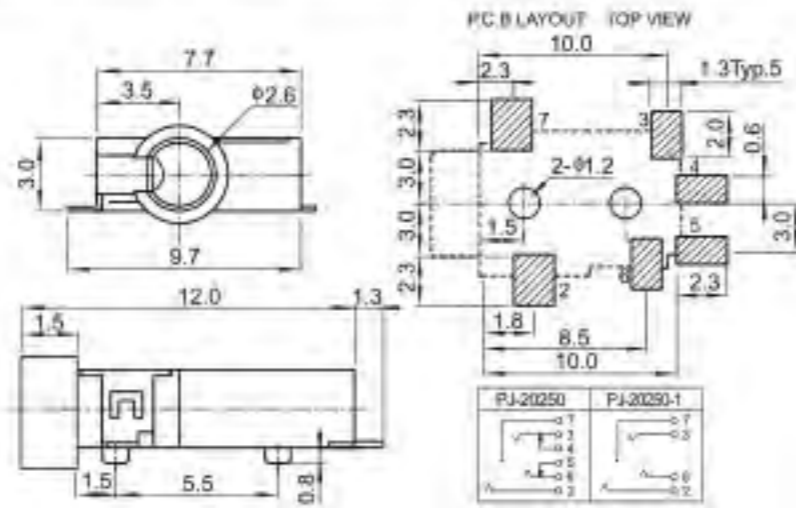
PJ-20240



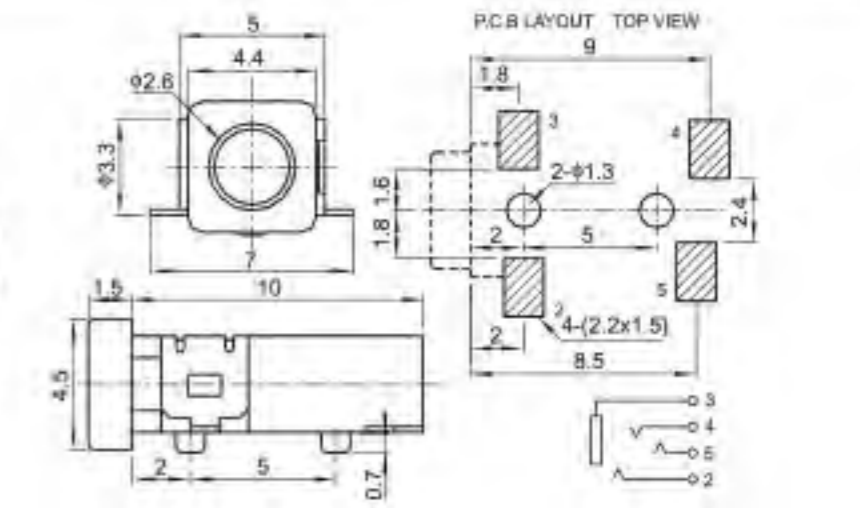
PJ-20340/2034A



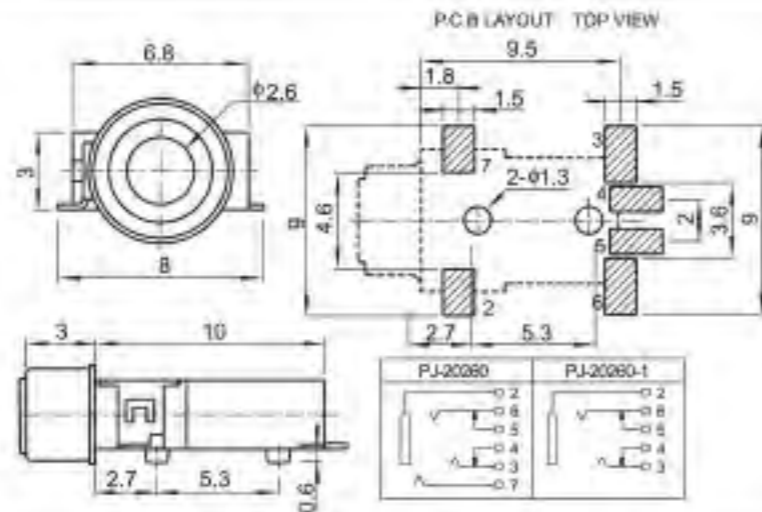
PJ-20250



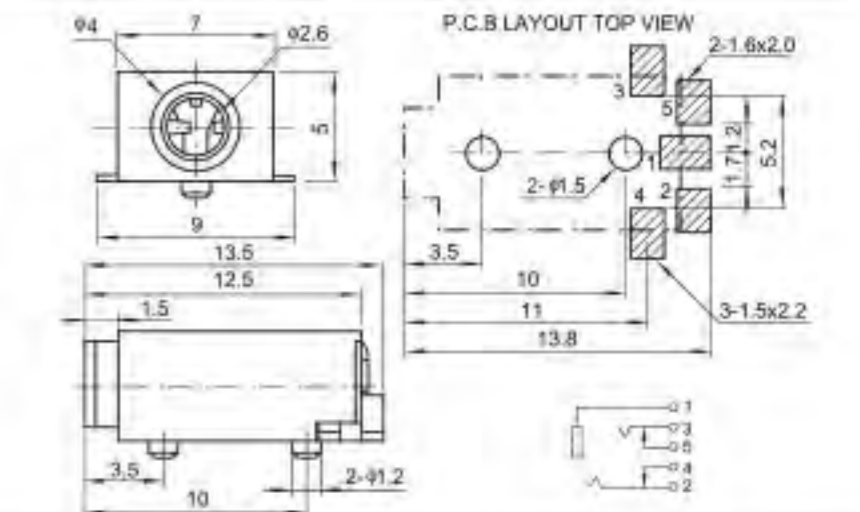
PJ-20350/2035A



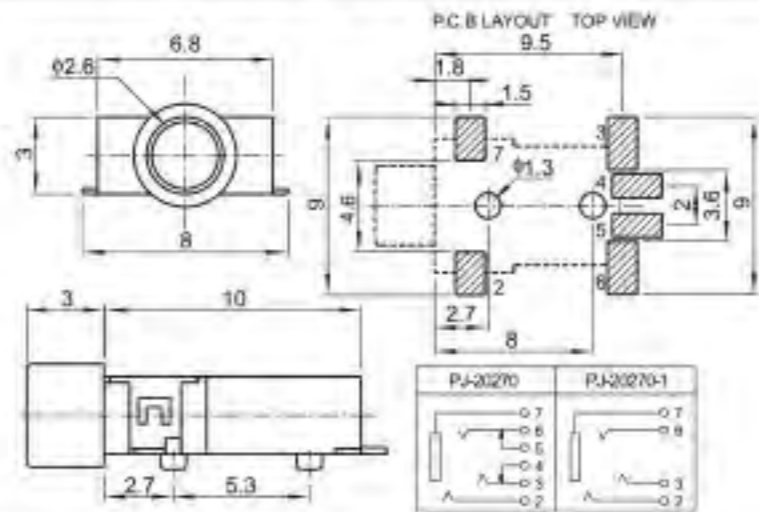
PJ-20260



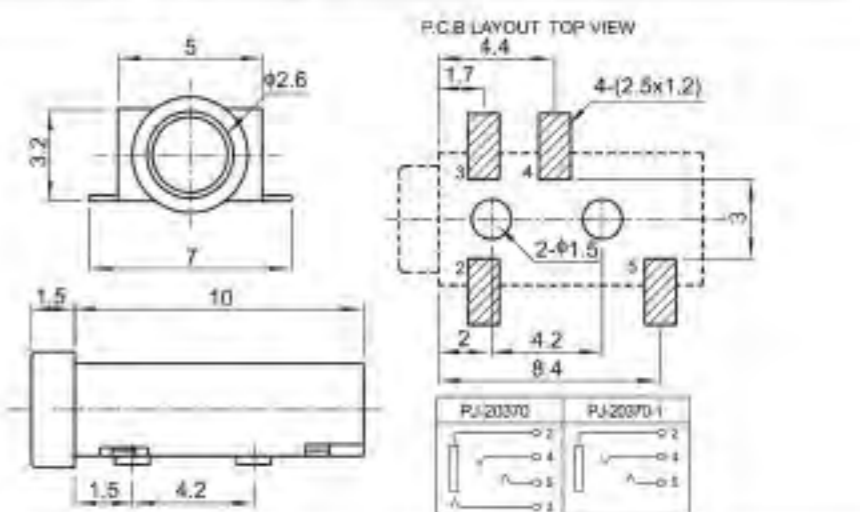
PJ-20360/2036A



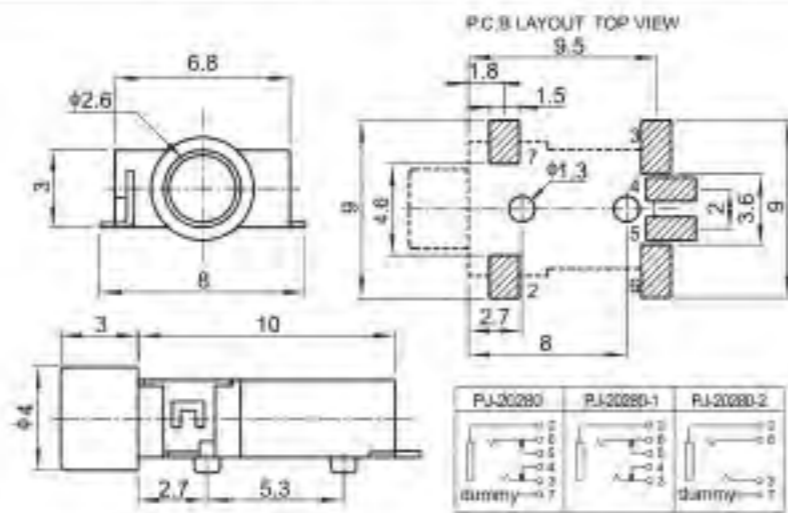
PJ-20270



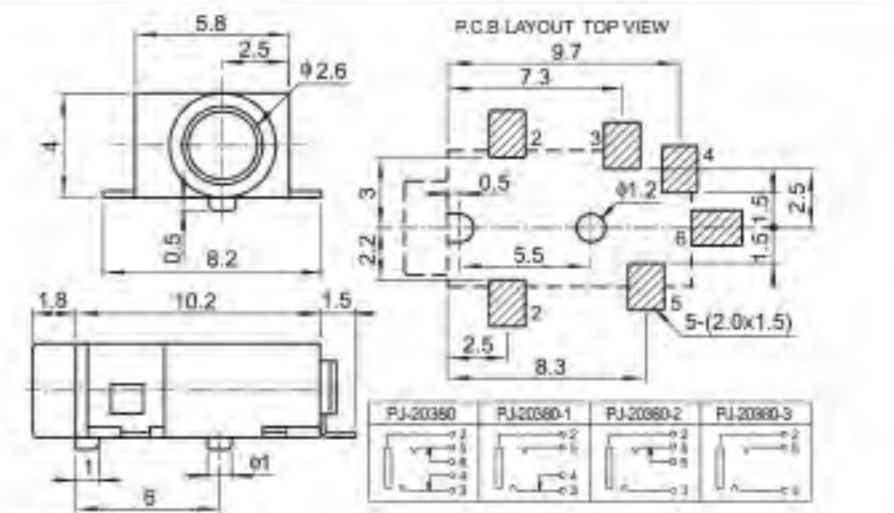
PJ-20370



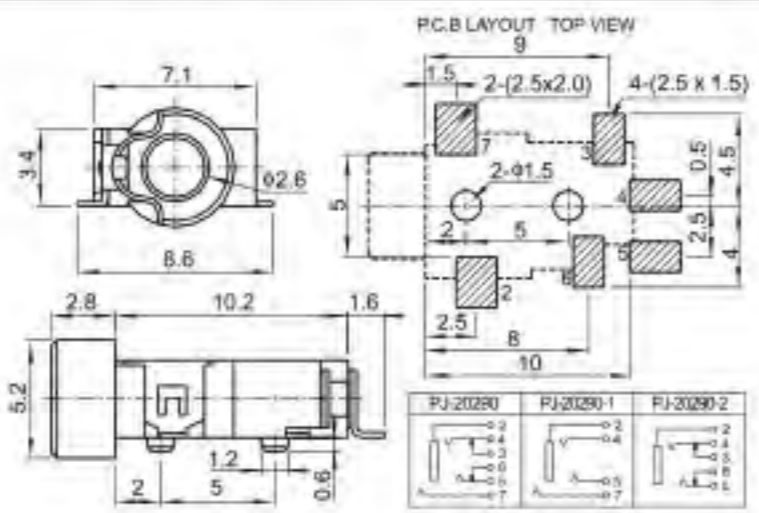
PJ-20280



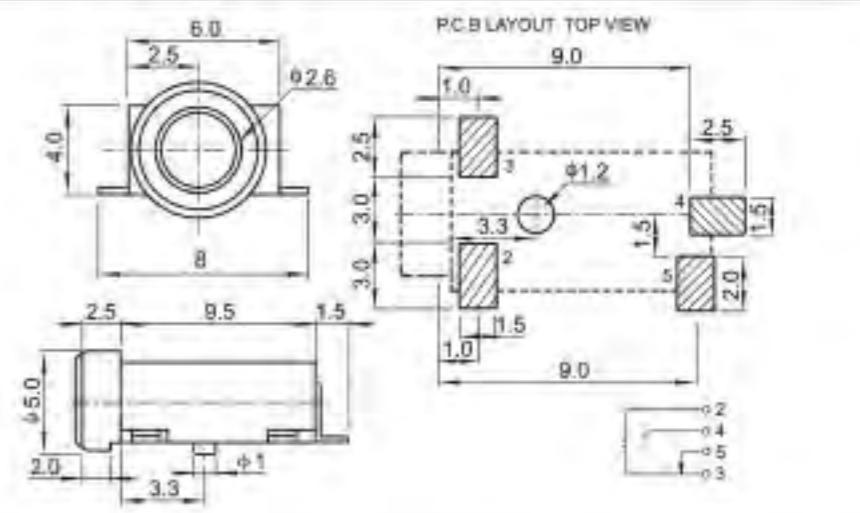
PJ-20380



PJ-20290

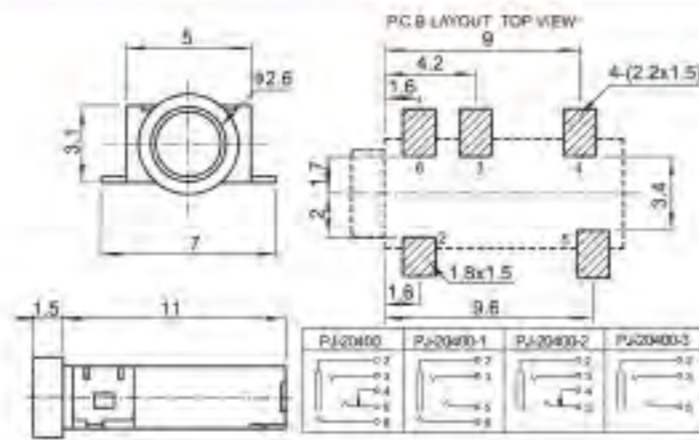


PJ-20390

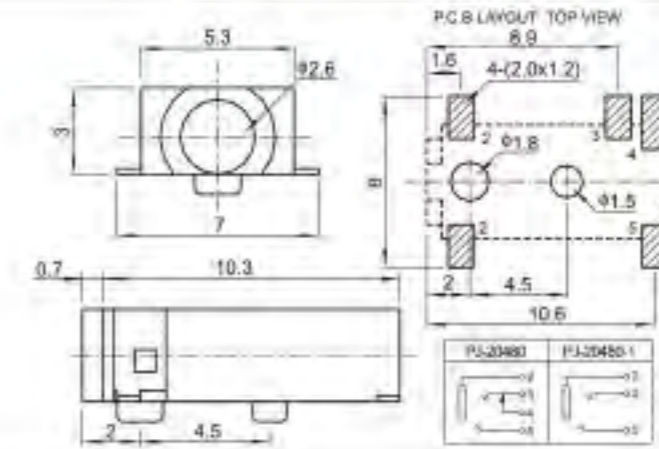




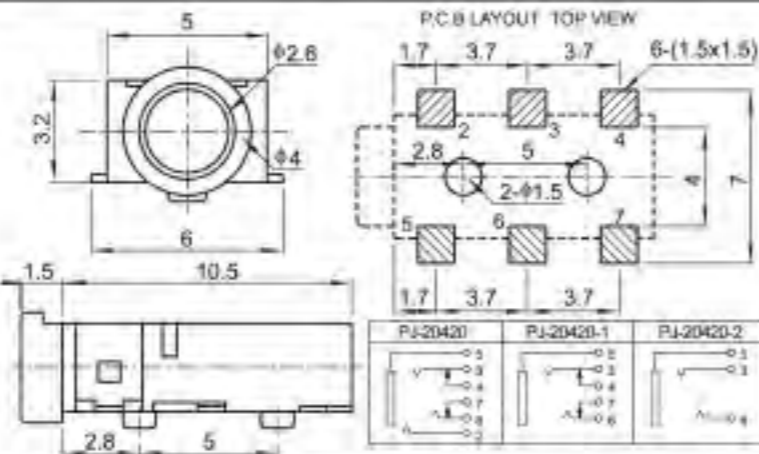
PJ-20400



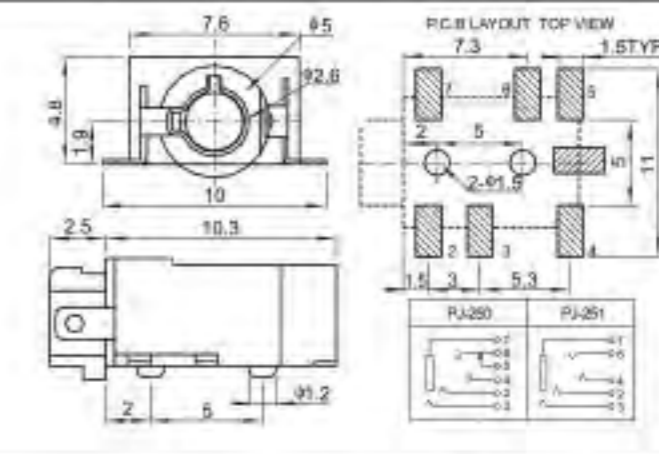
PJ-20480



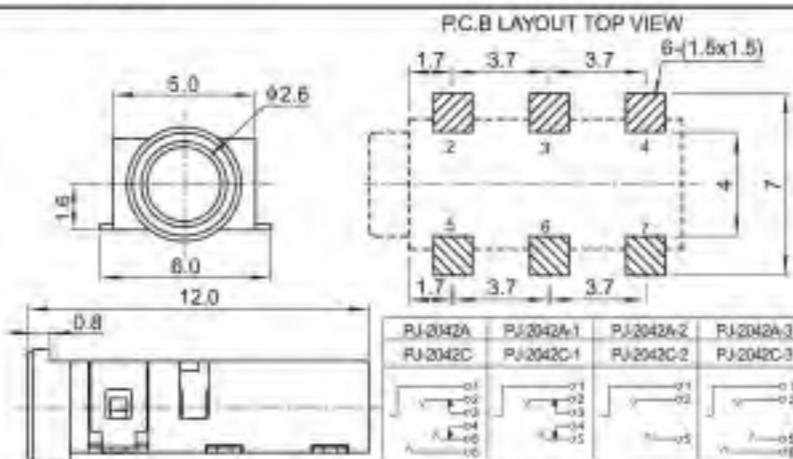
PJ-20420



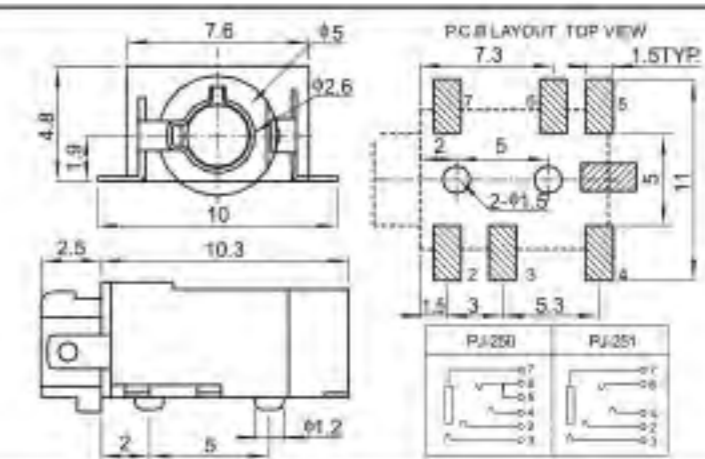
PJ-20500



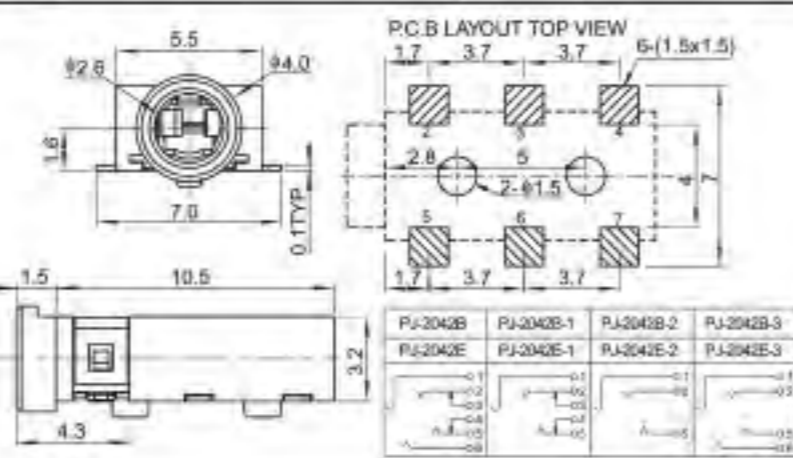
PJ-042A/2042C



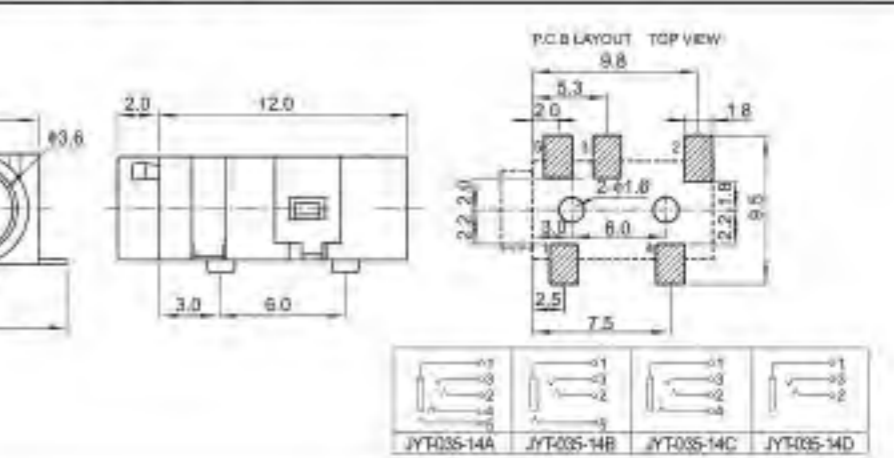
PJ-20510



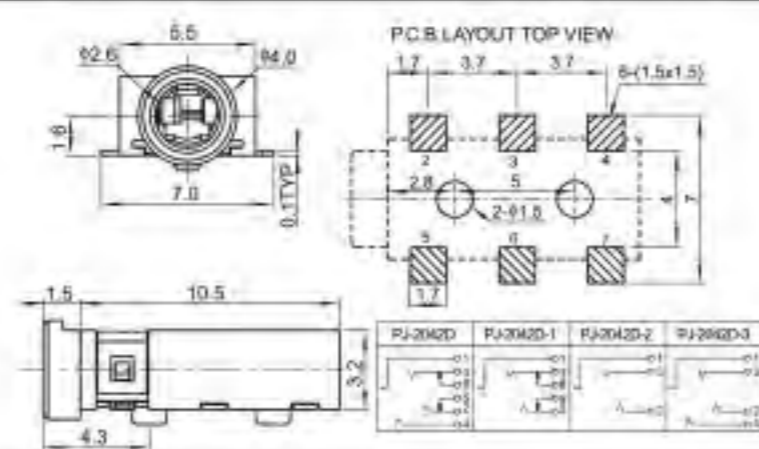
PJ-2042B/2042E



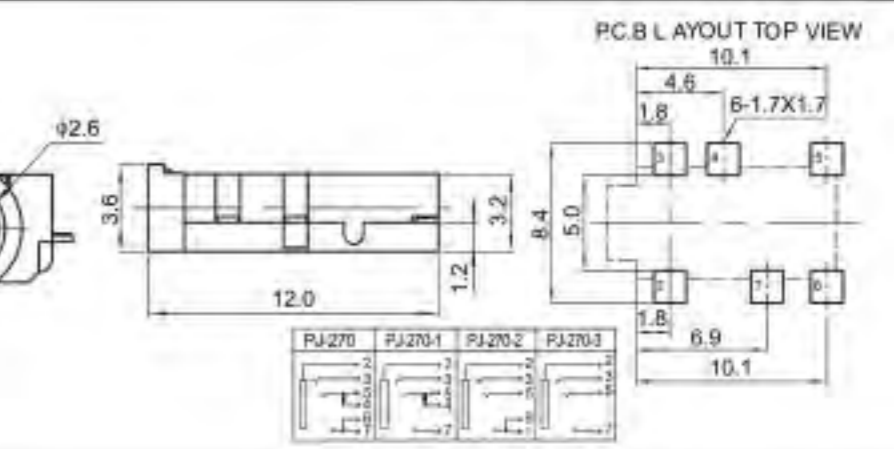
PJ-20610



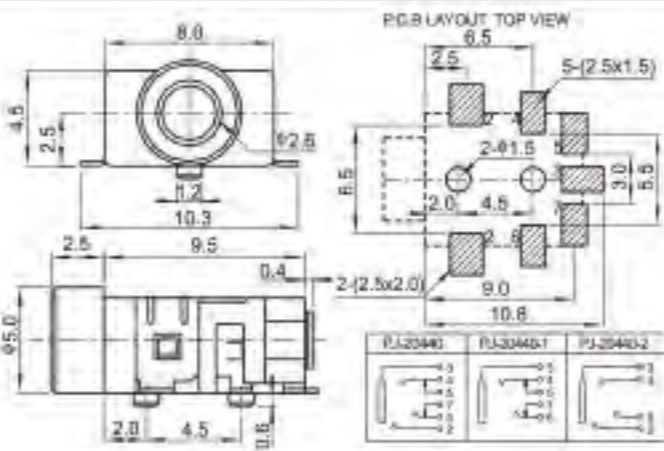
PJ-2042D



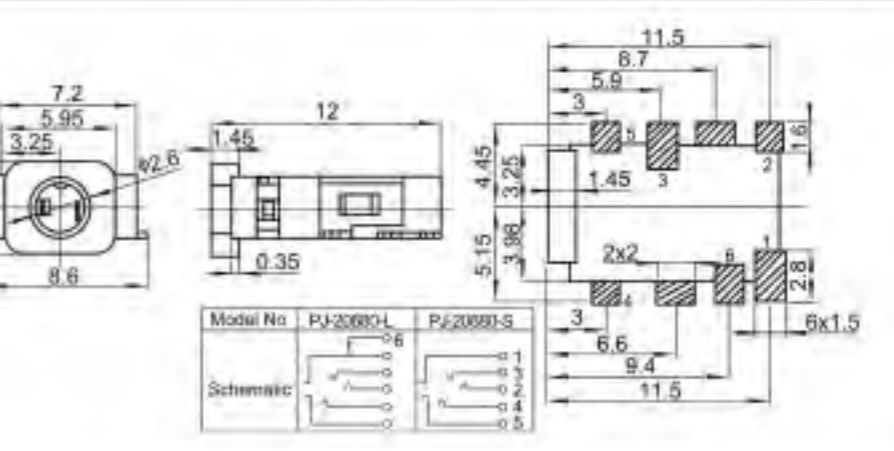
PJ-20650



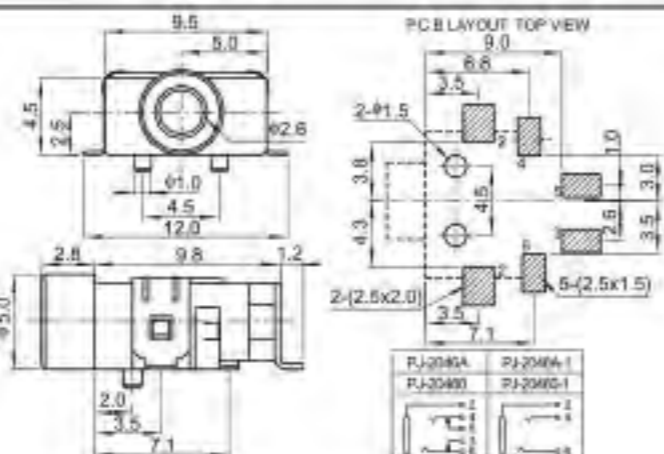
PJ-20440



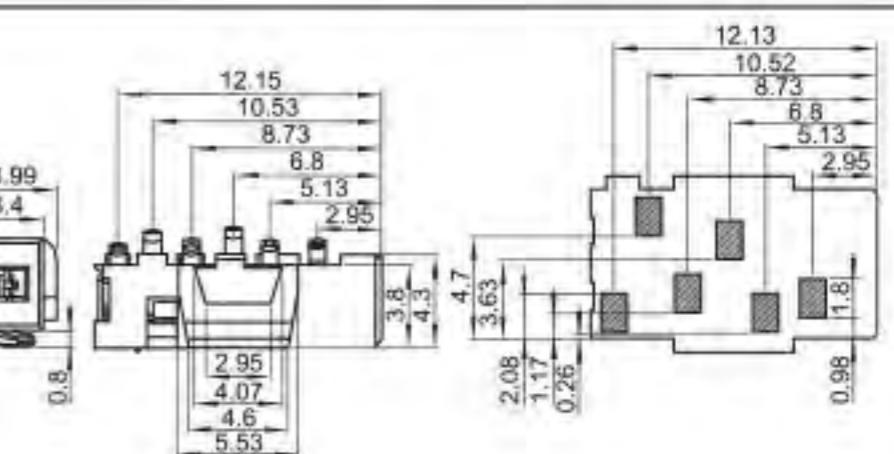
PJ-20680



PJ-20460



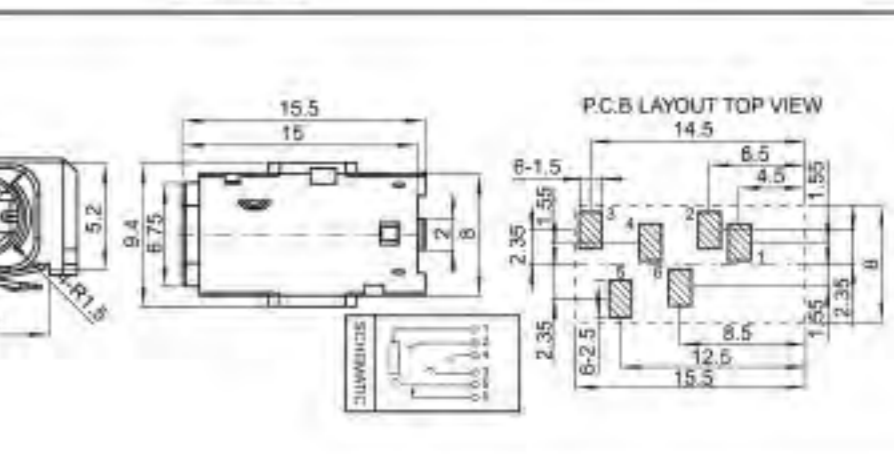
E66

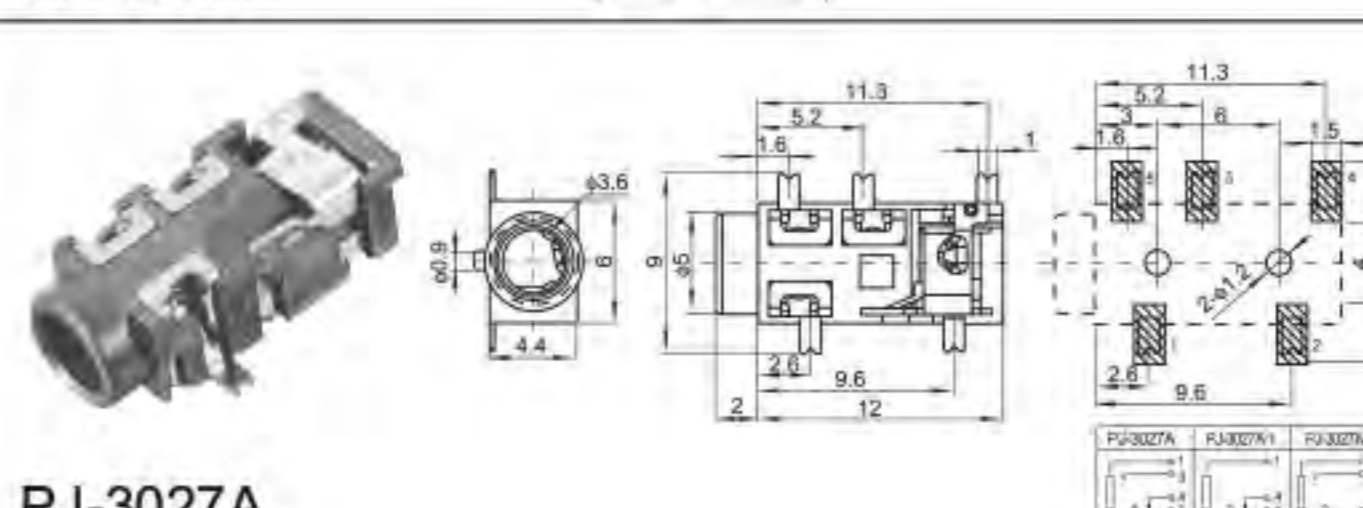
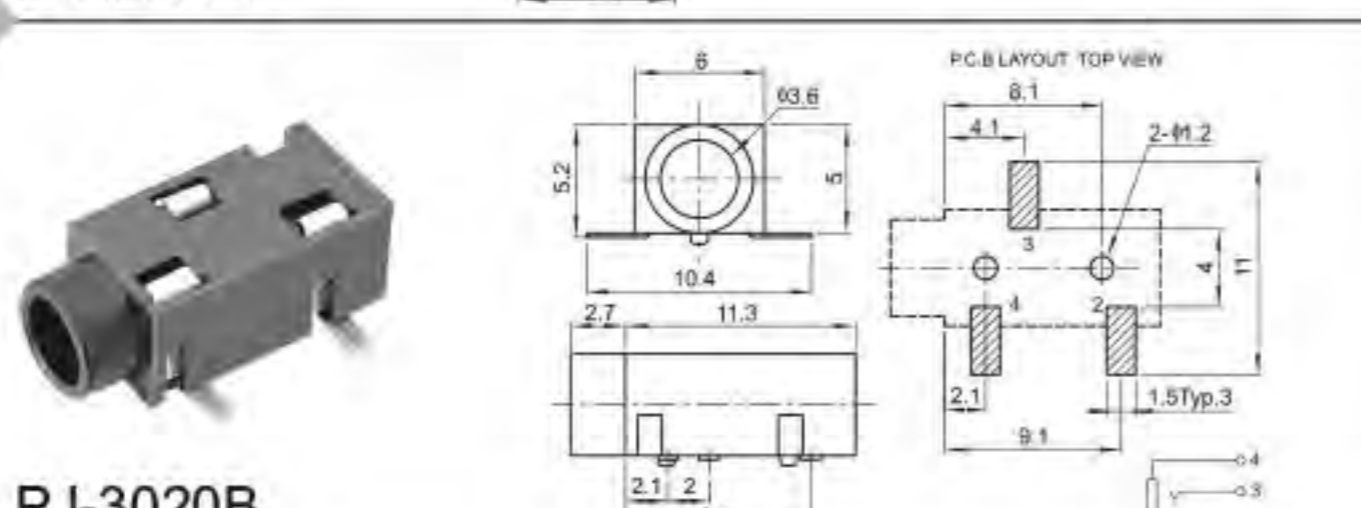
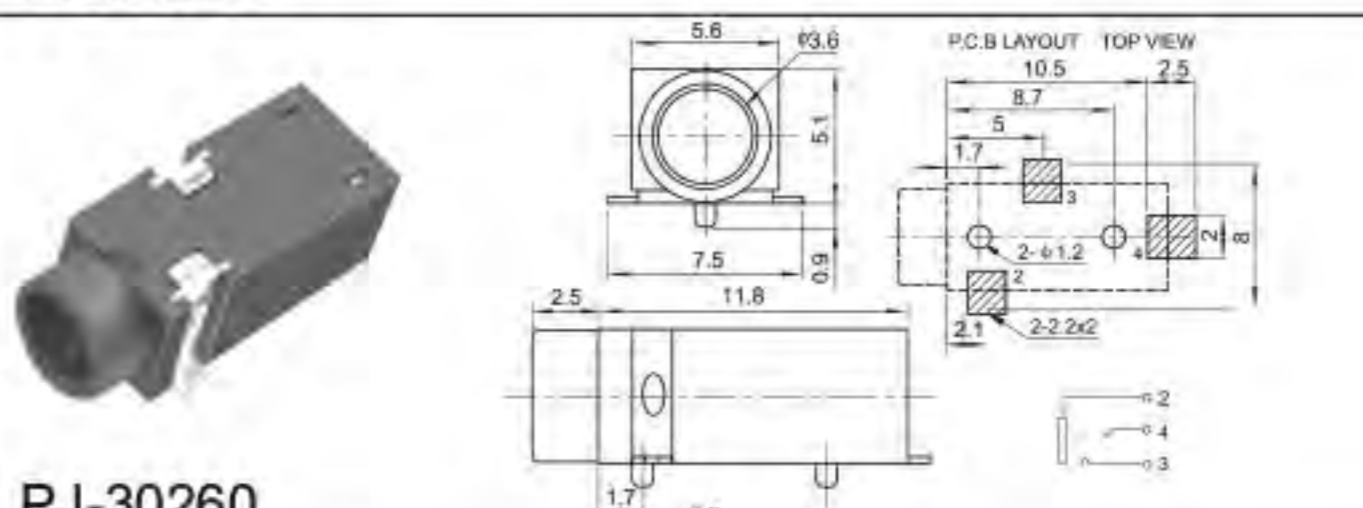
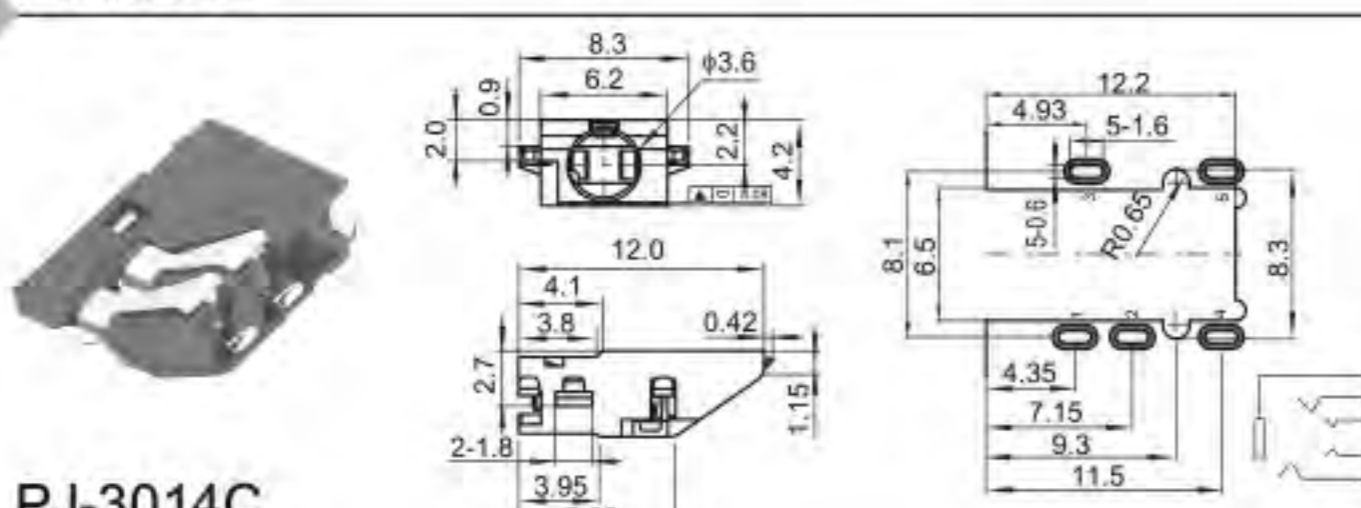
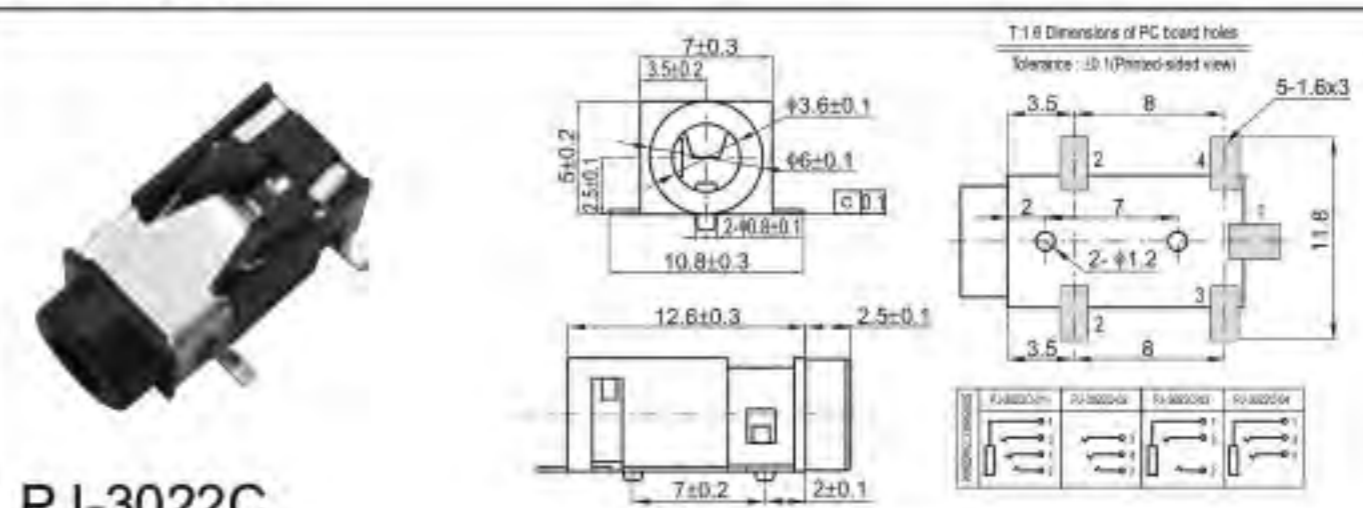
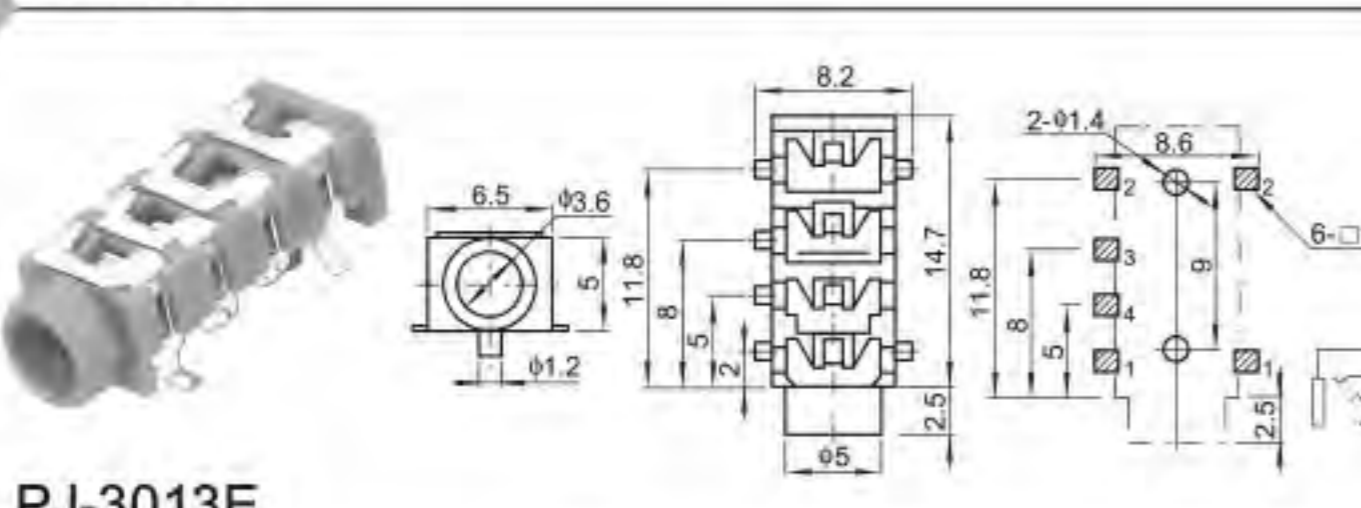
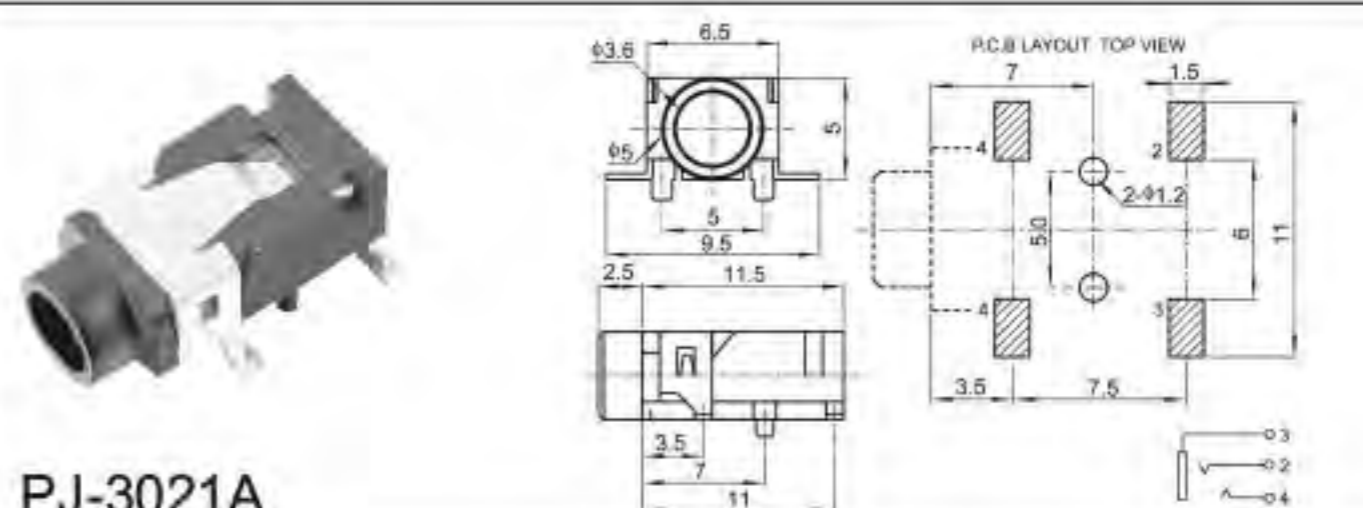
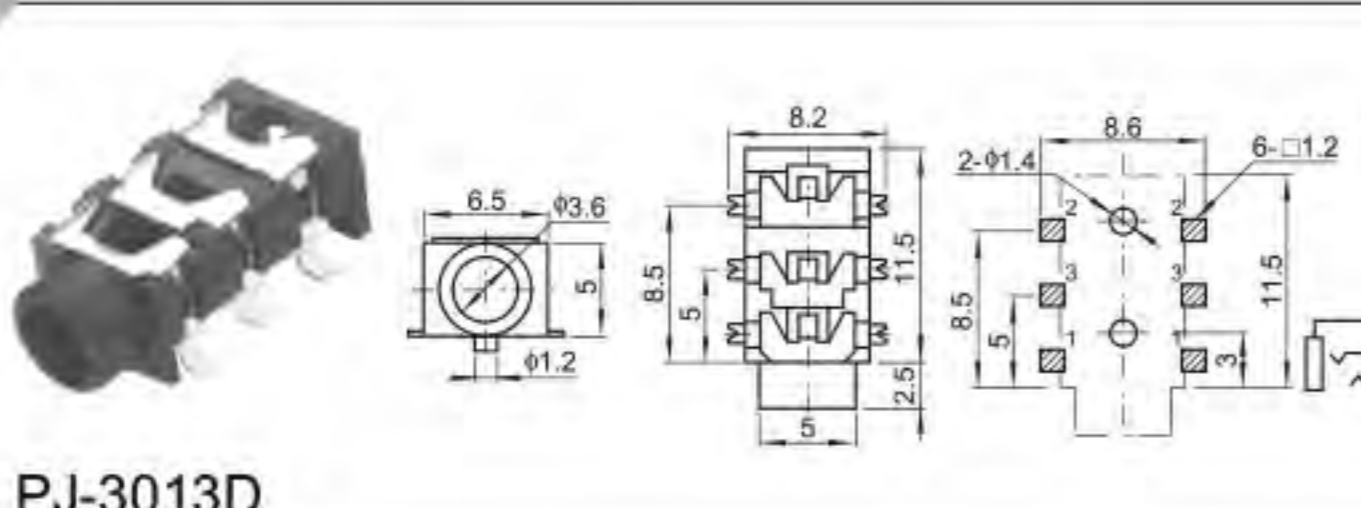
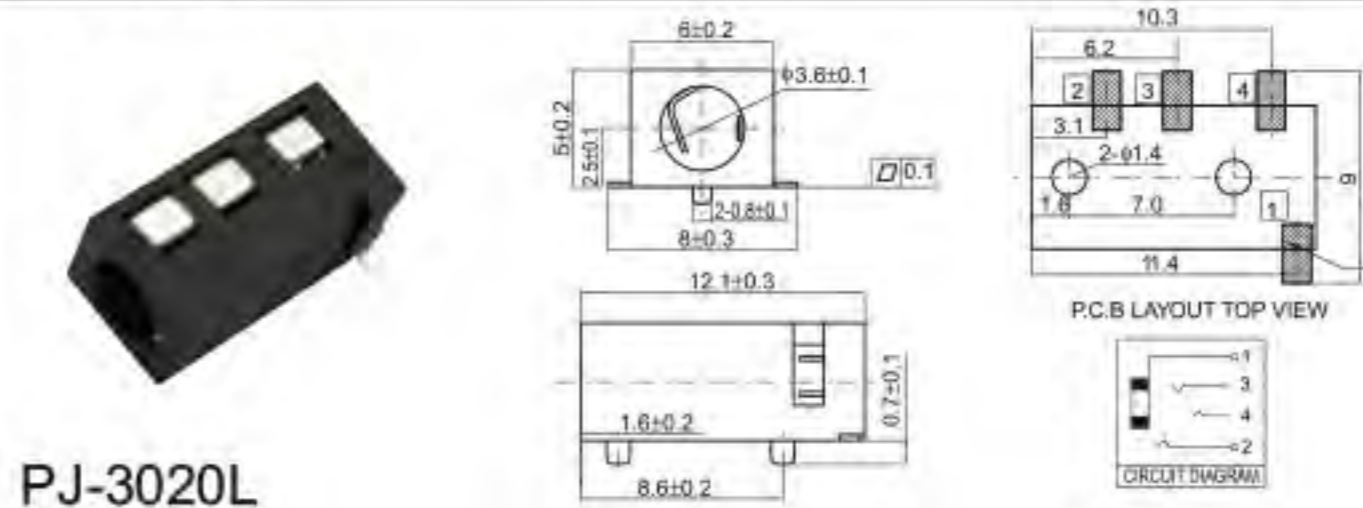
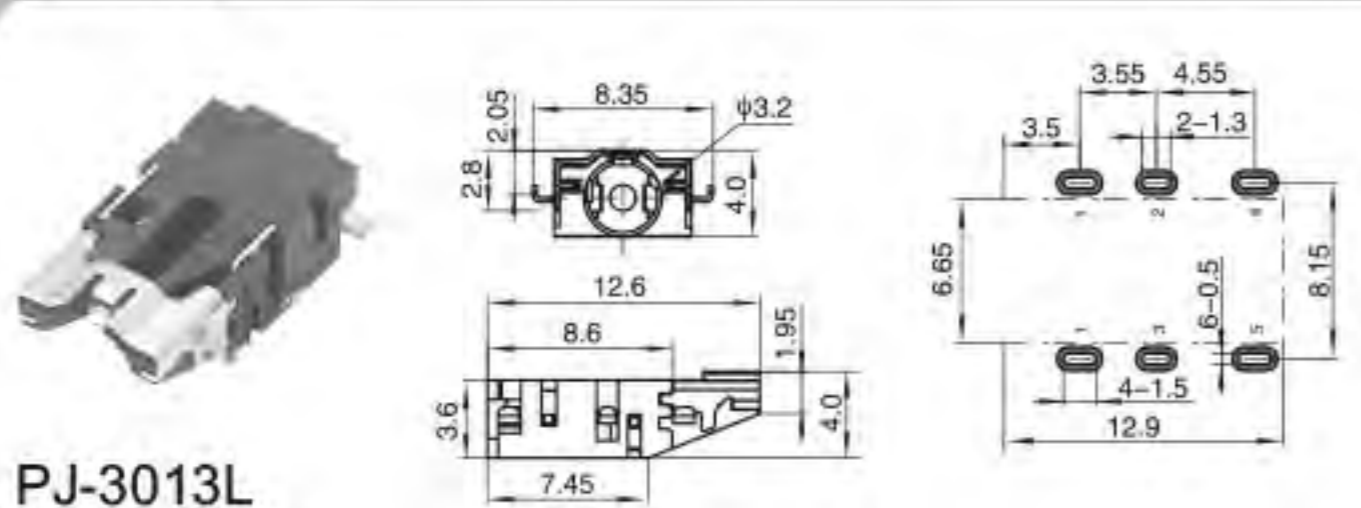
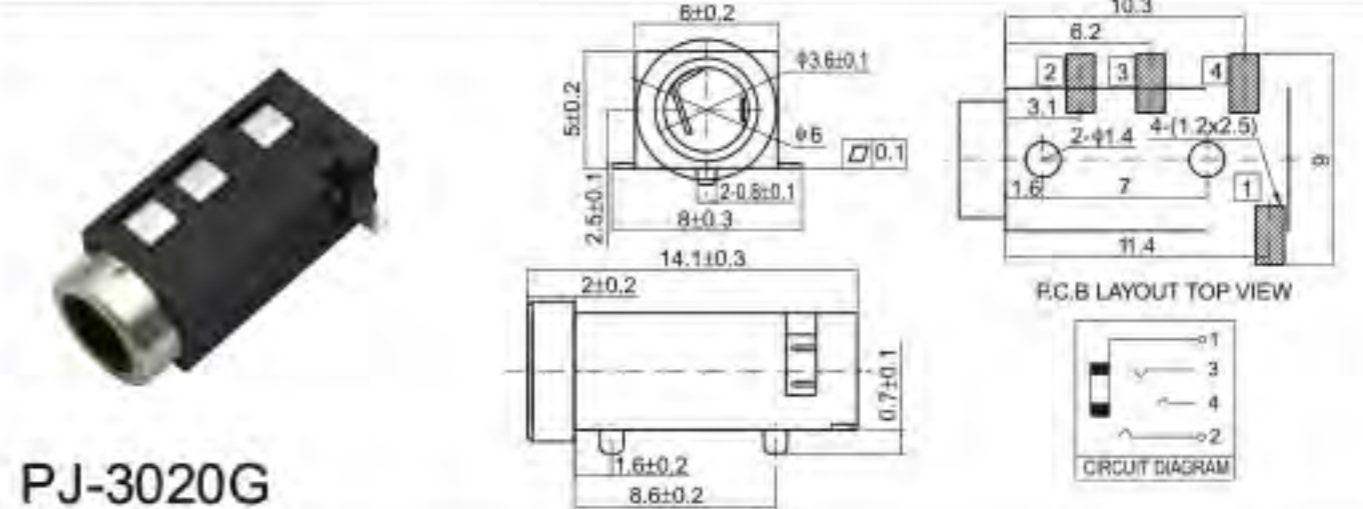
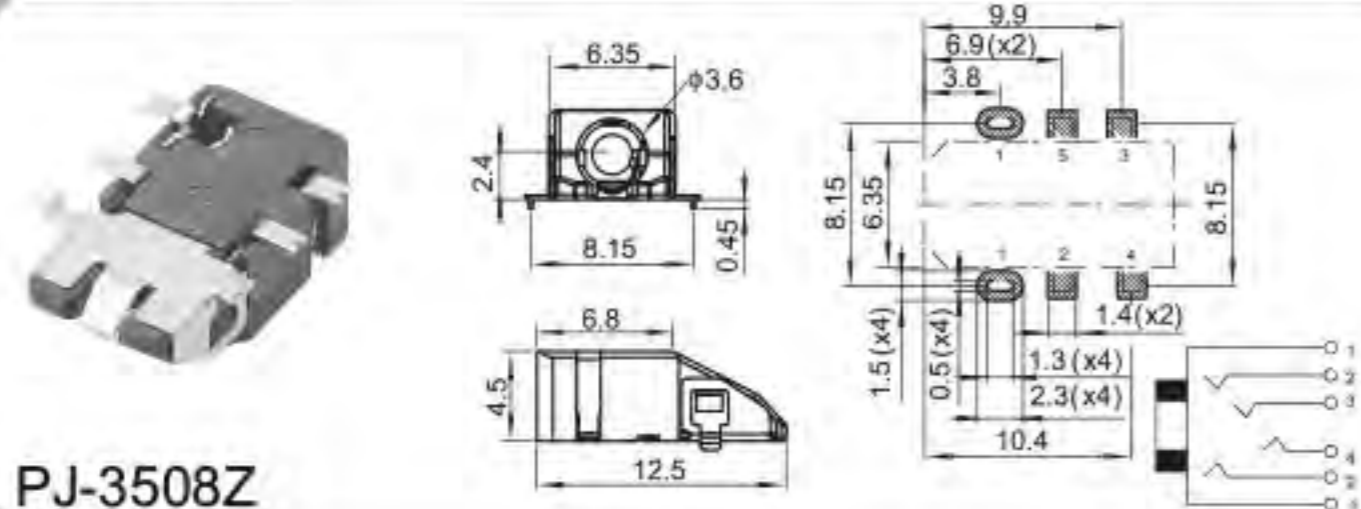
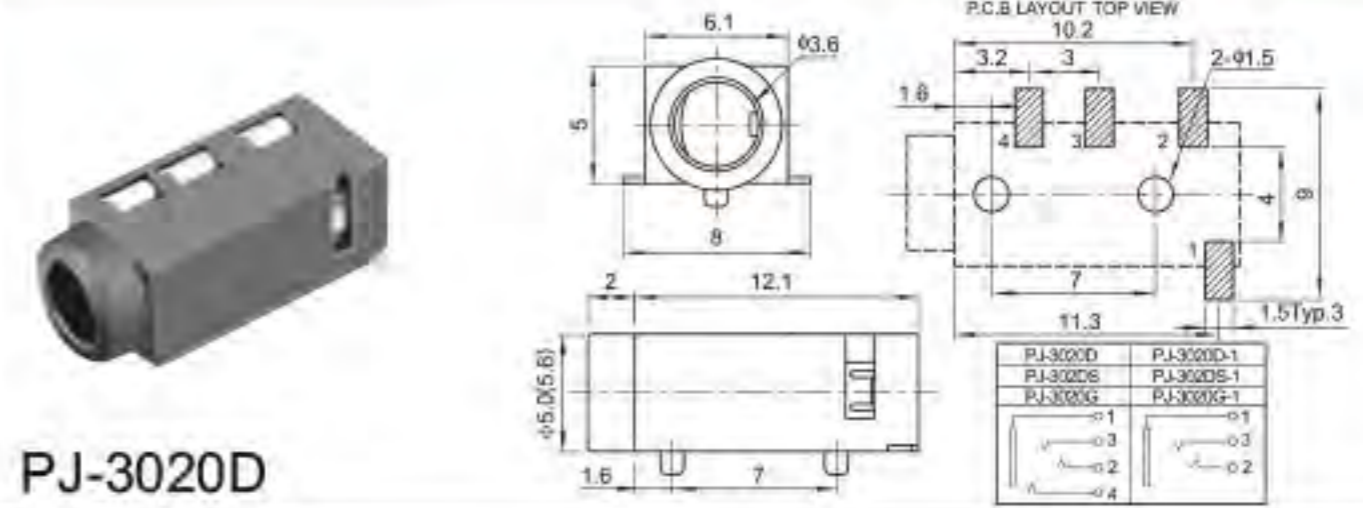
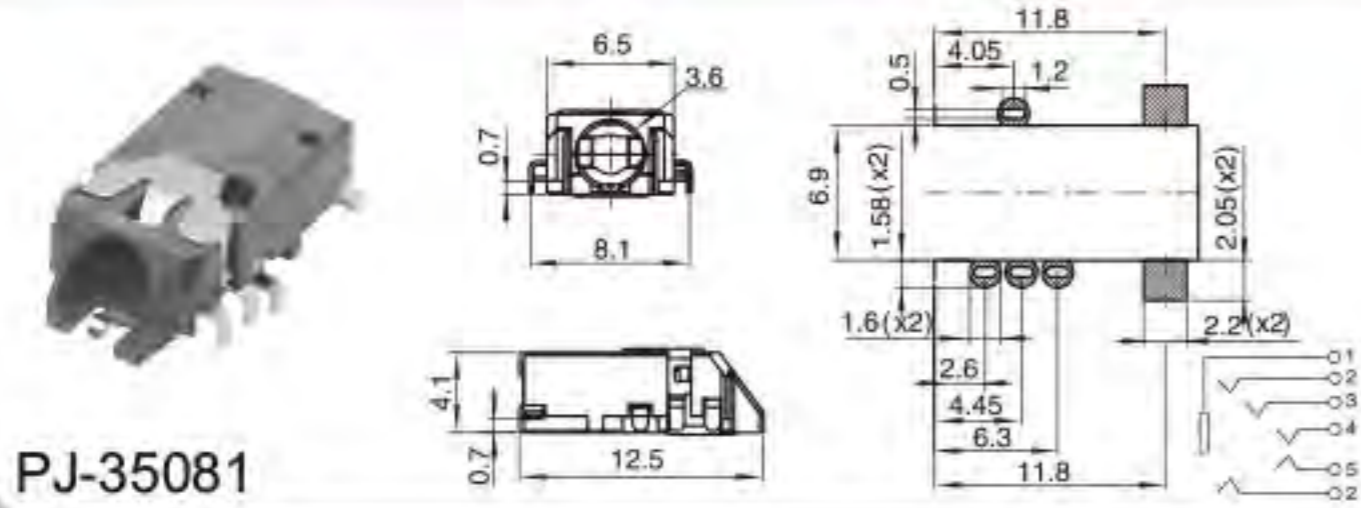


PJ-2046A



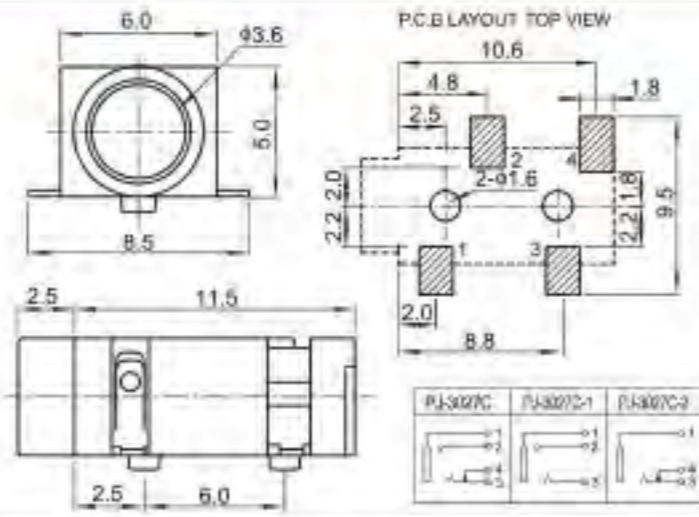
N95



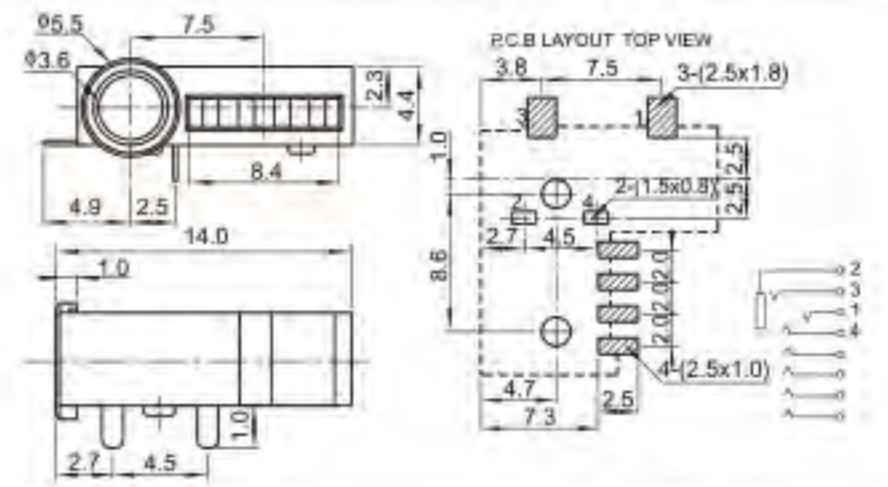




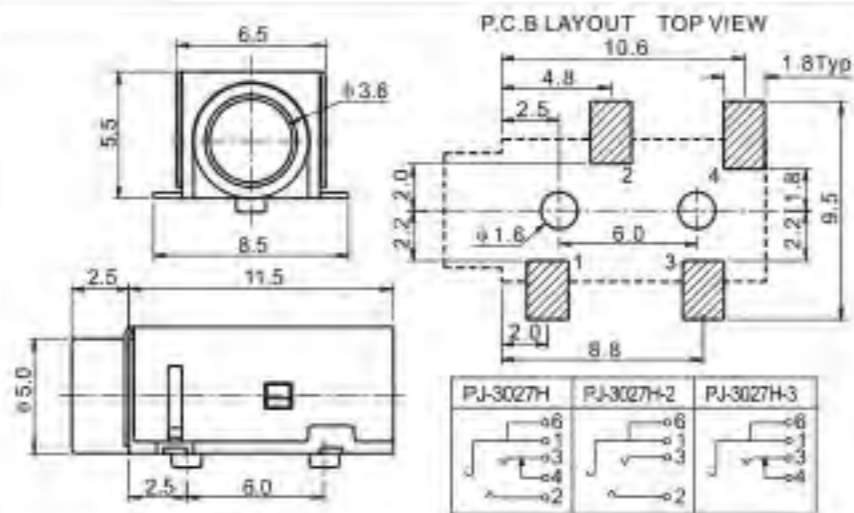
PJ-3027C



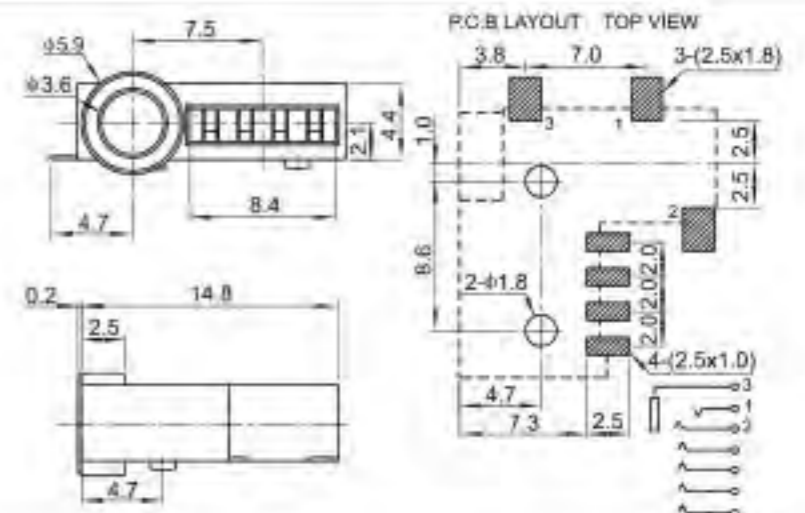
PJ-30470



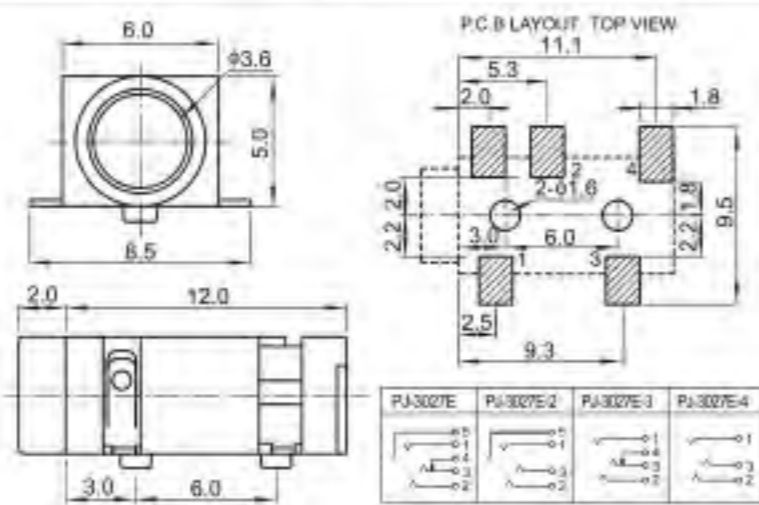
PJ-3027H



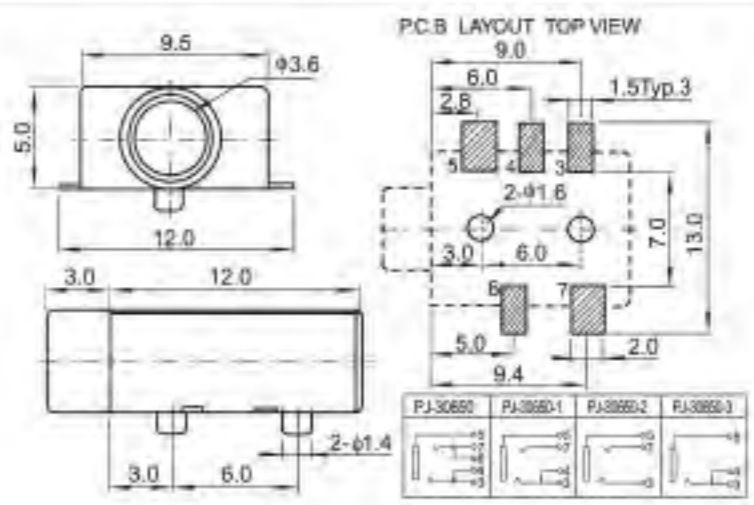
PJ-30480



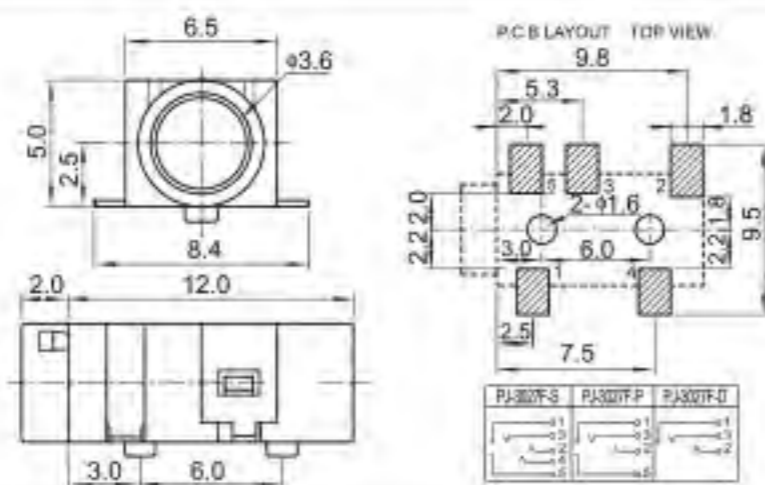
PJ-3027E



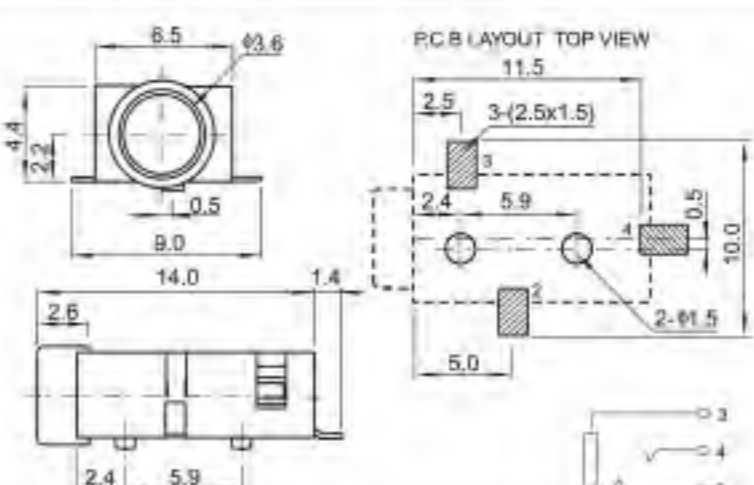
PJ-30650



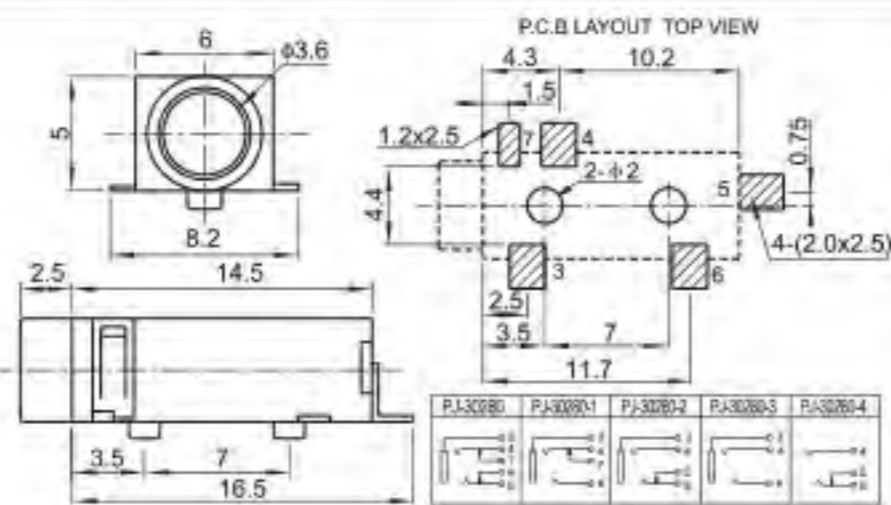
PJ-3027F



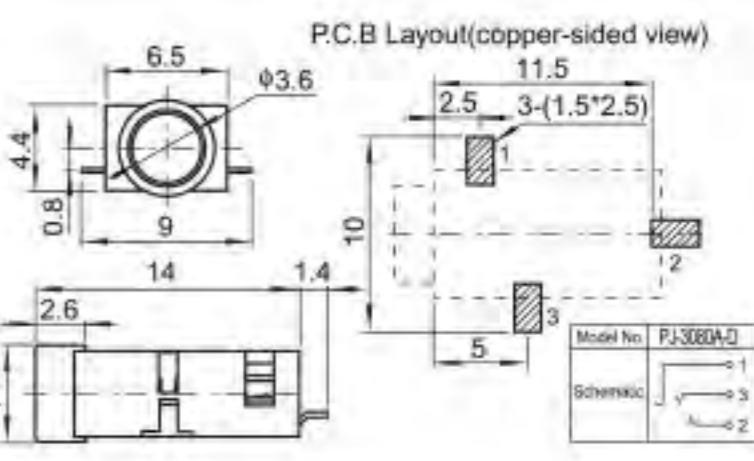
PJ-30800



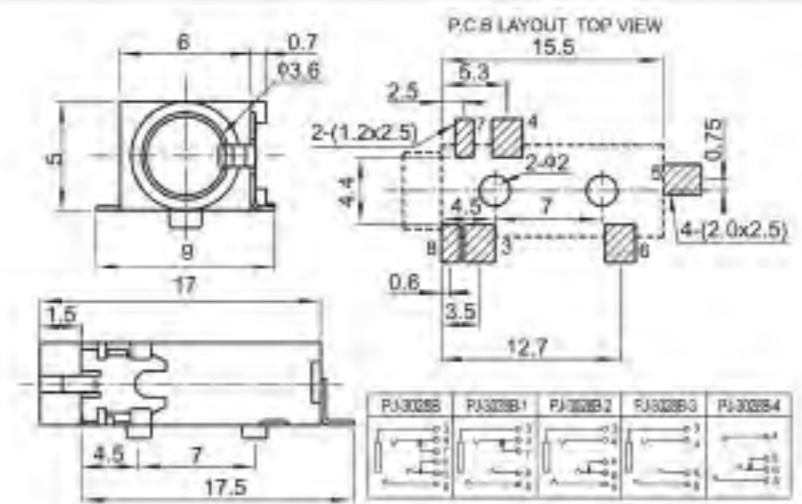
PJ-30280



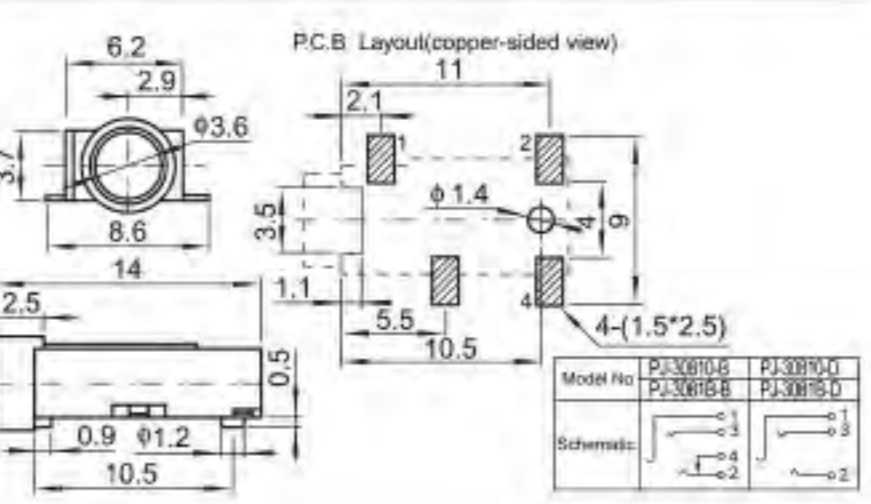
PJ-3080A



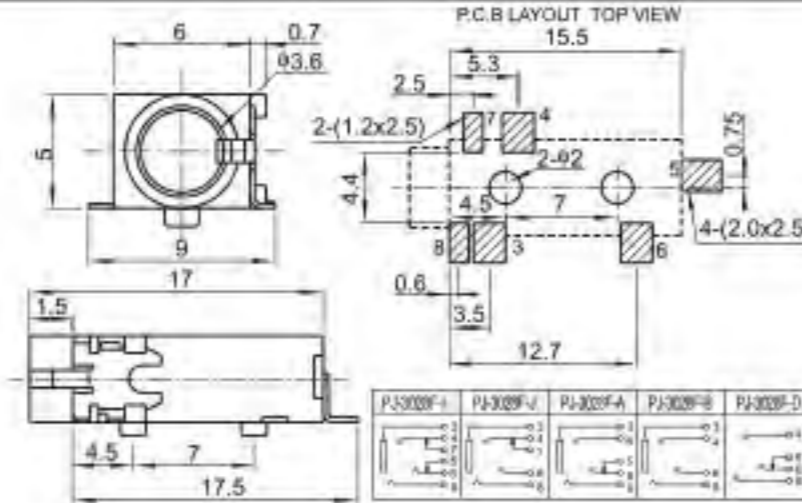
PJ-3028B



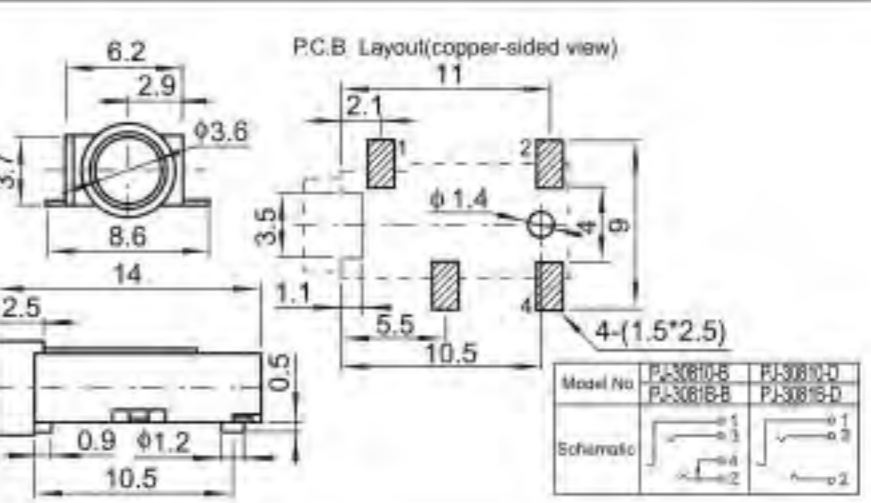
PJ-30810



PJ-3028F

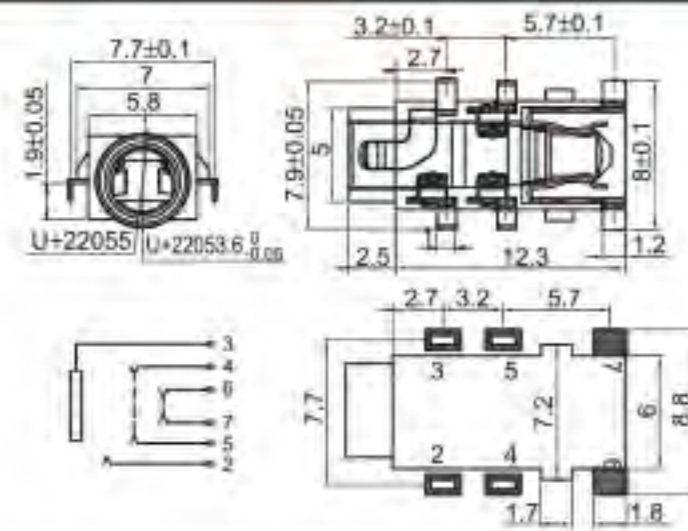


PJ-3081B

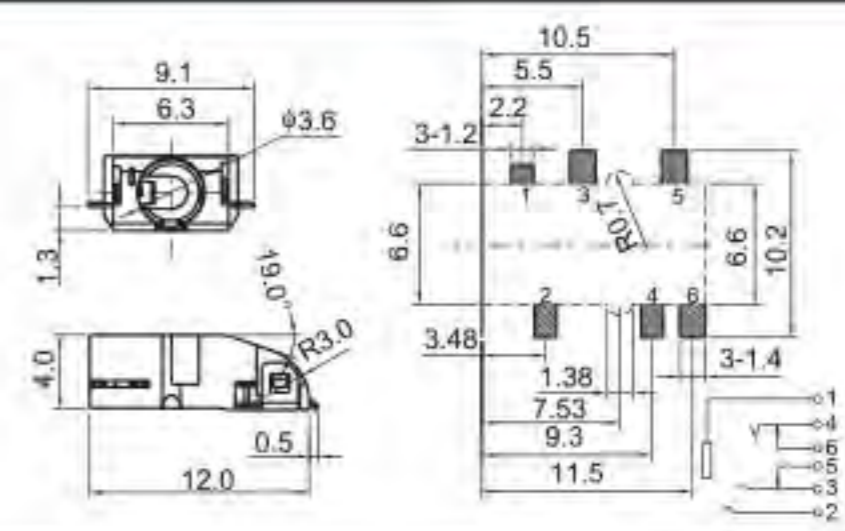




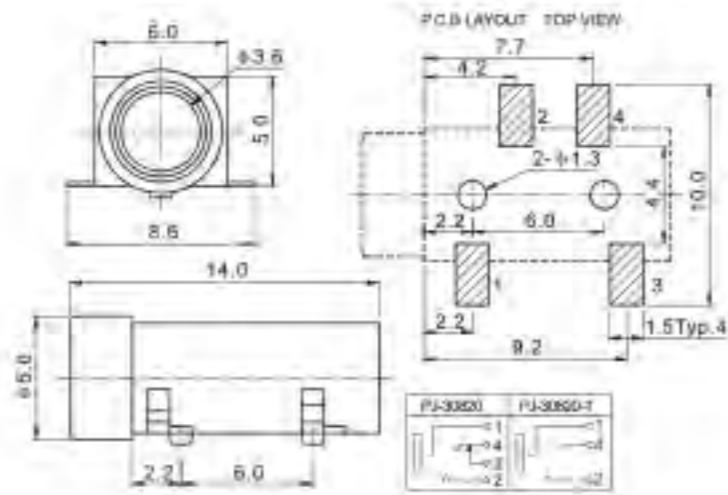
PJ-3081D



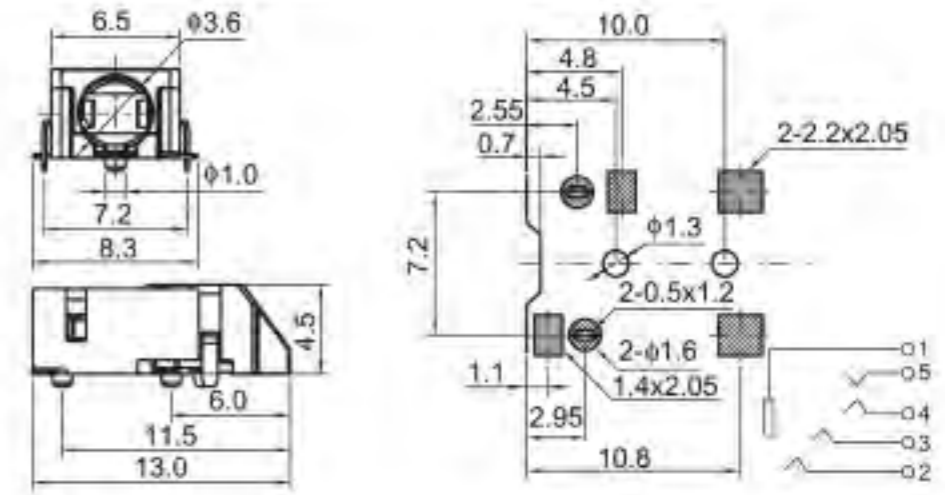
PJ-31003



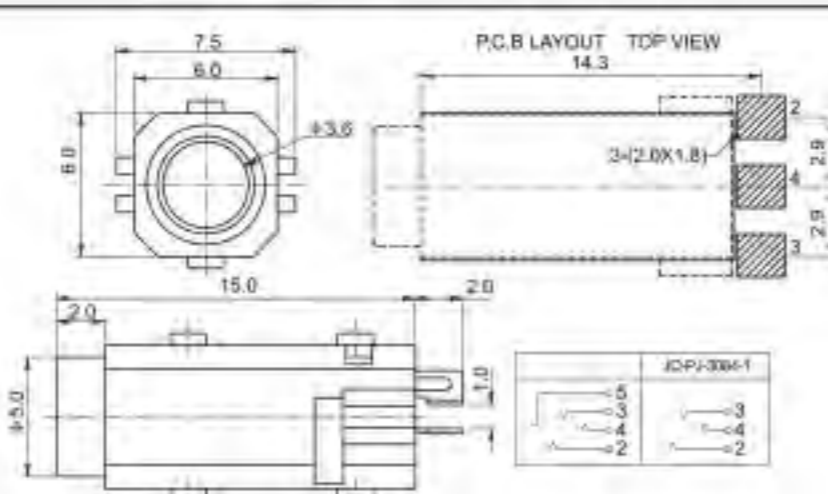
PJ-30820



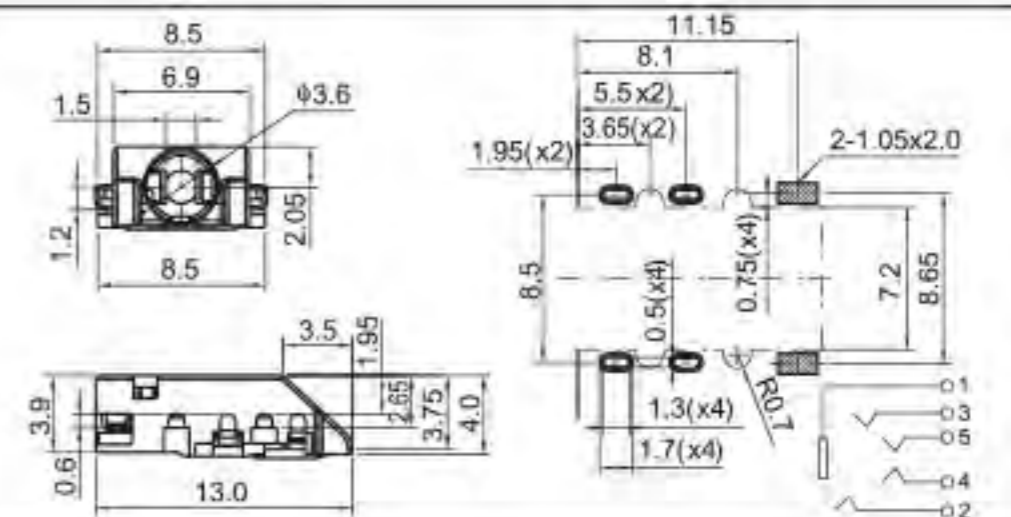
PJ-31004



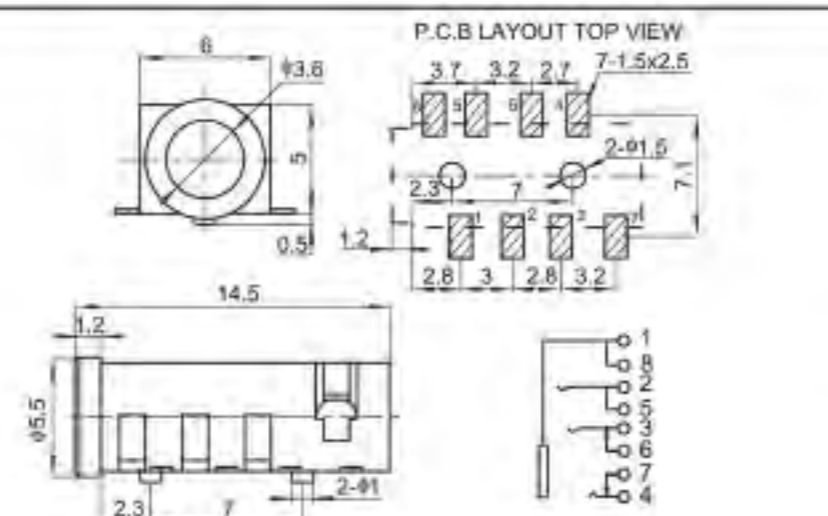
PJ-30840



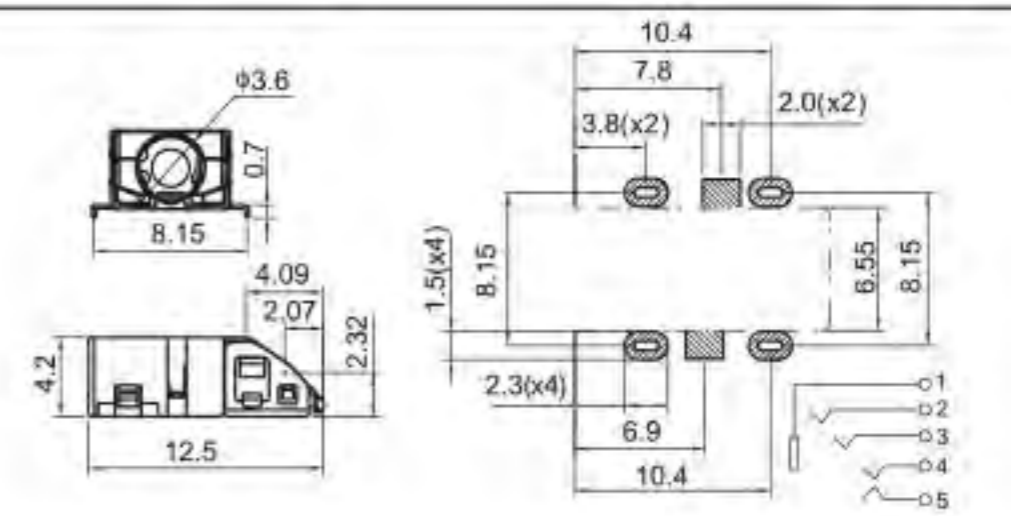
PJ-31005



PJ-30930



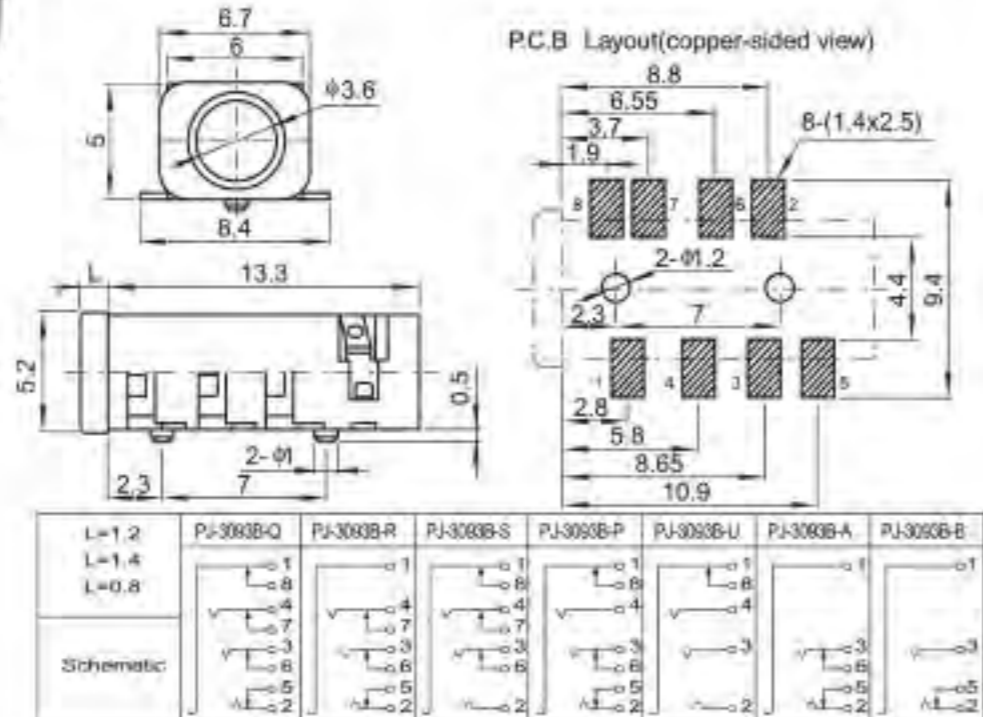
PJ-31006



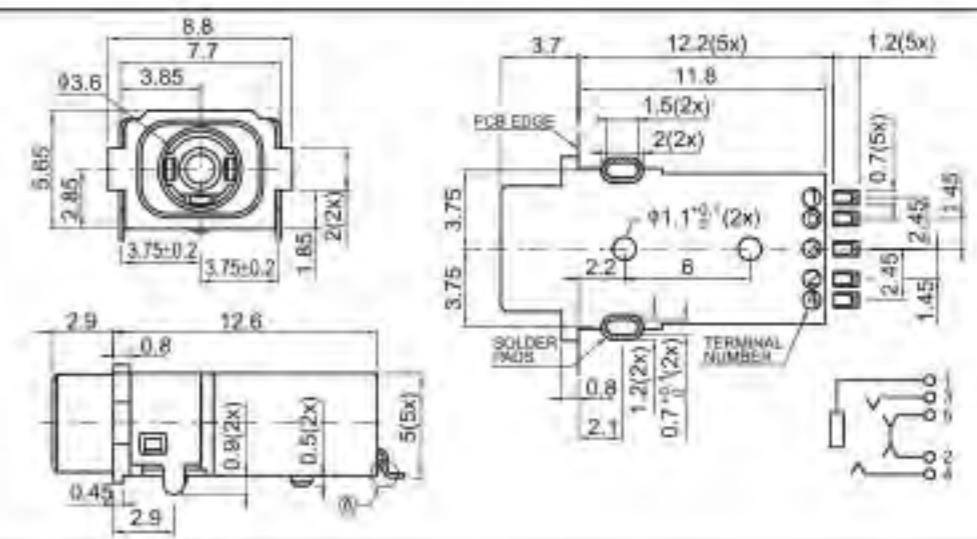
PJ-3093B

PJ-3093C

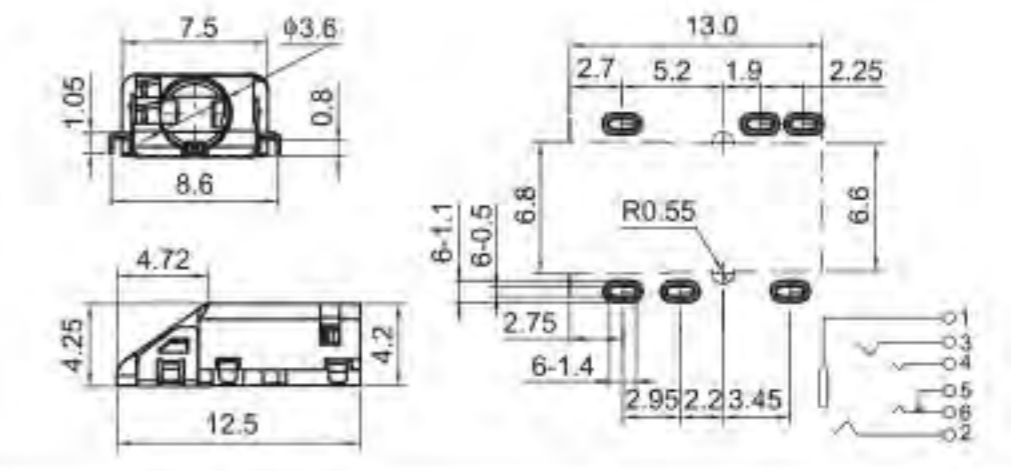
PJ-3093D



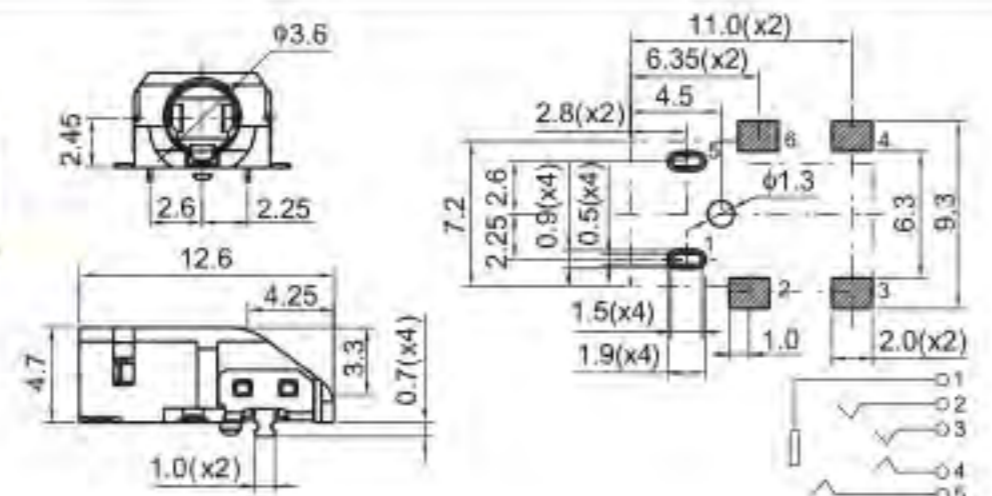
PJ-3101D



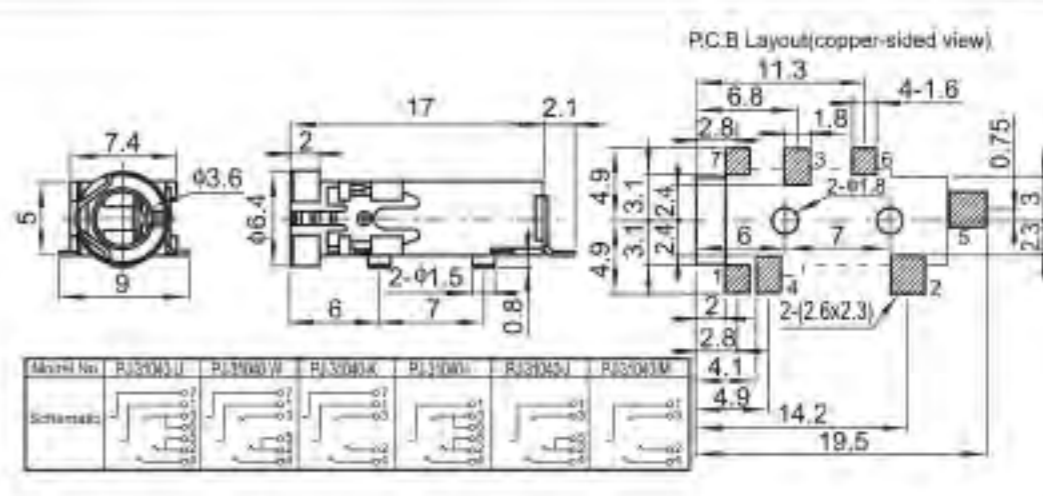
PJ-31012



PJ-31001

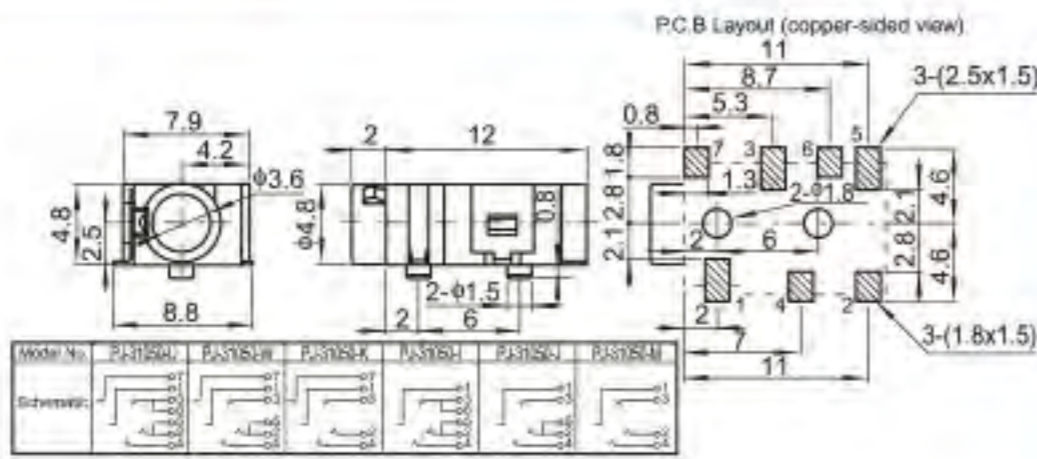


PJ-31040

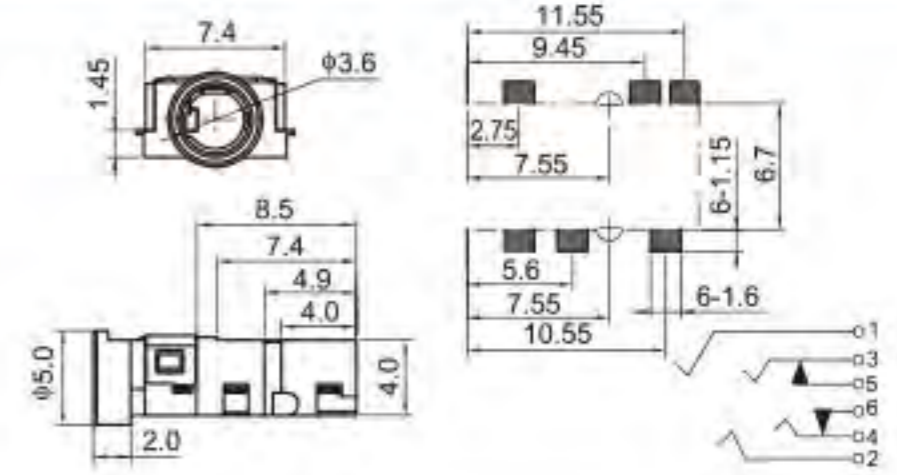




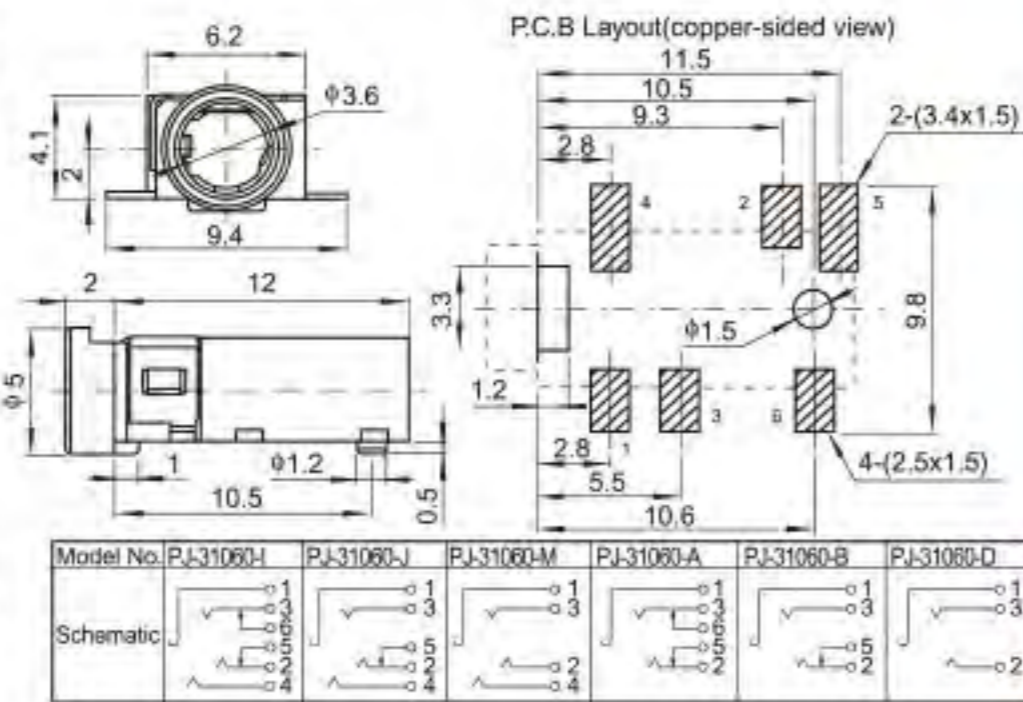
PJ-31050



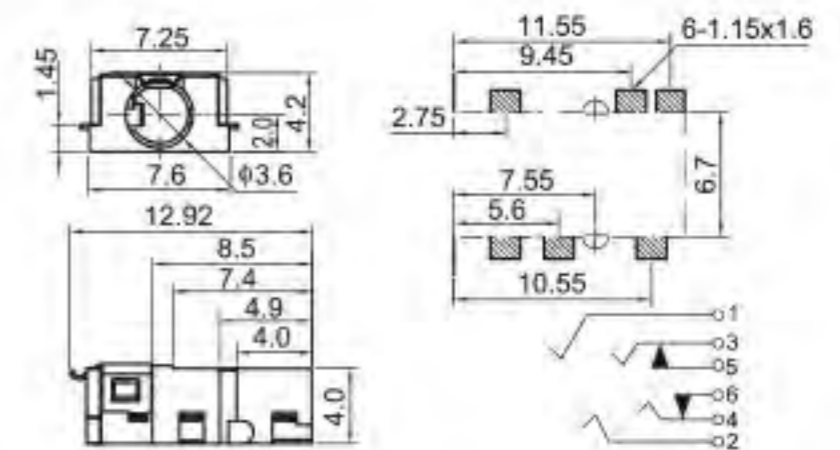
PJ-3106F



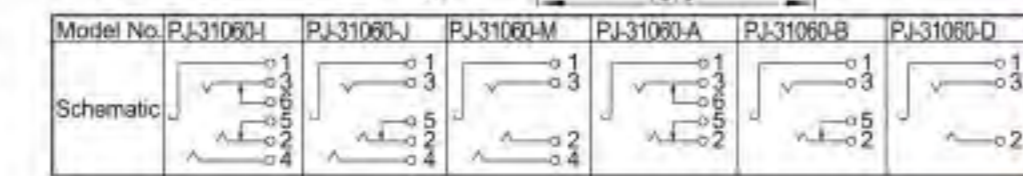
PJ-31060



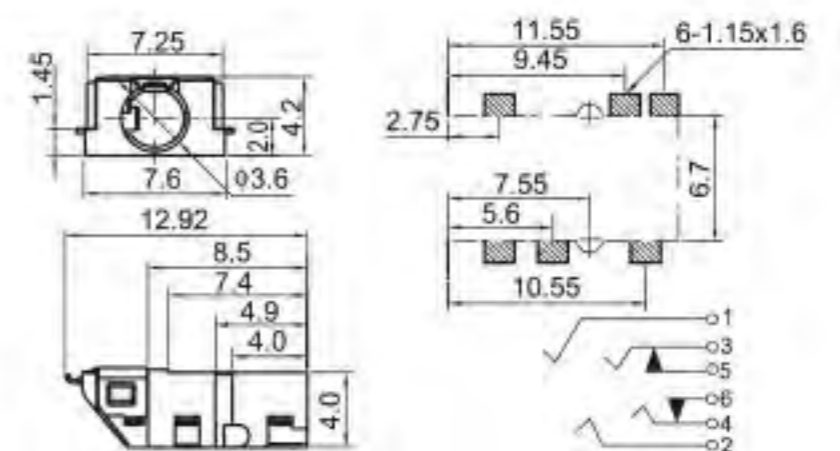
PJ-3106G



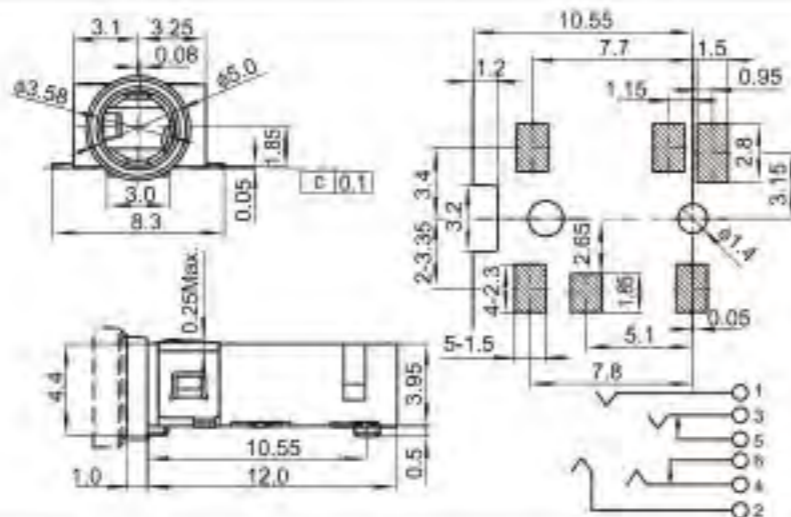
PJ-3106A



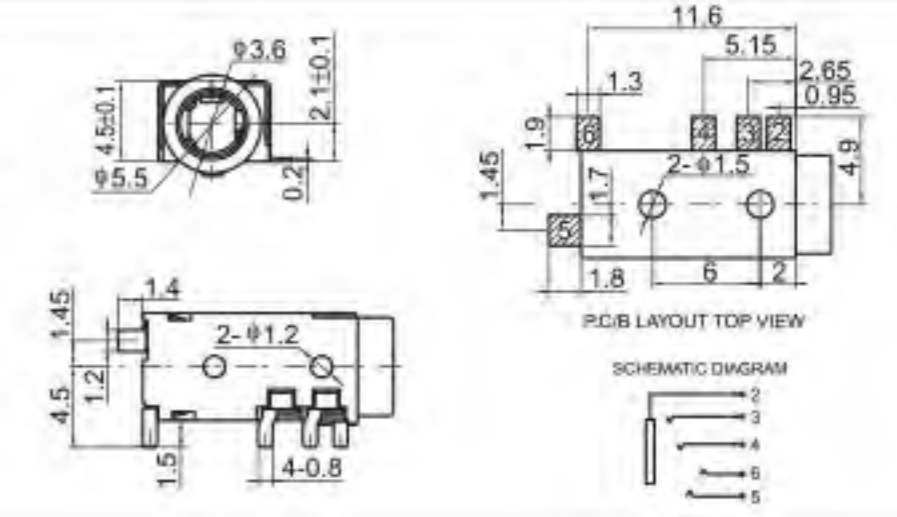
PJ-3106H



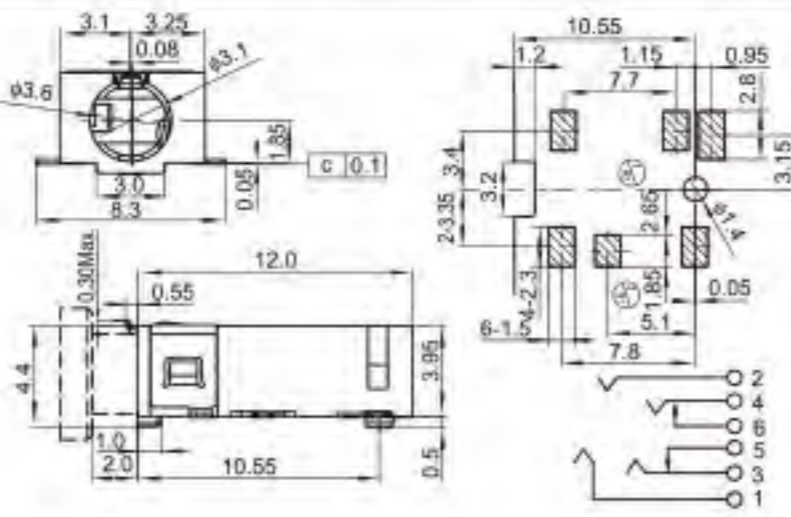
PJ-3106B



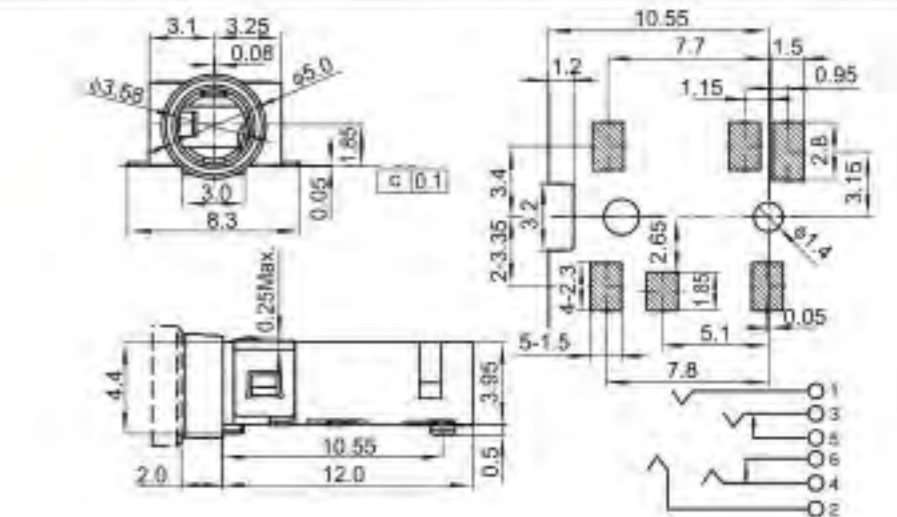
PJ-3106L



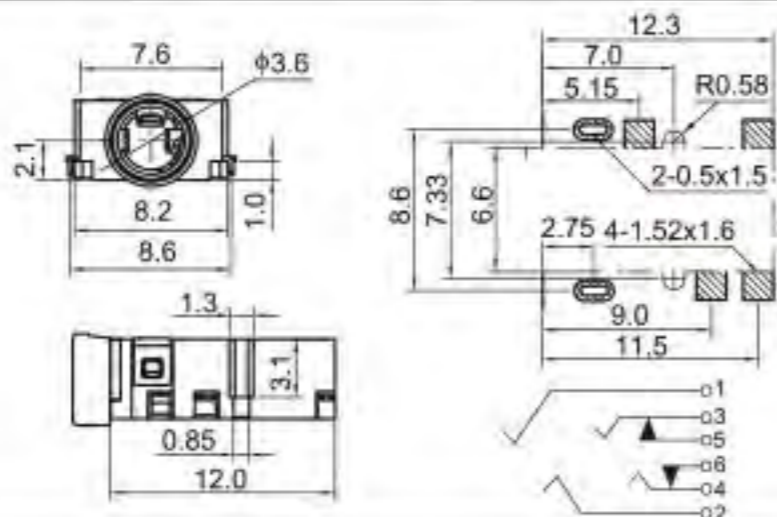
PJ-3106C



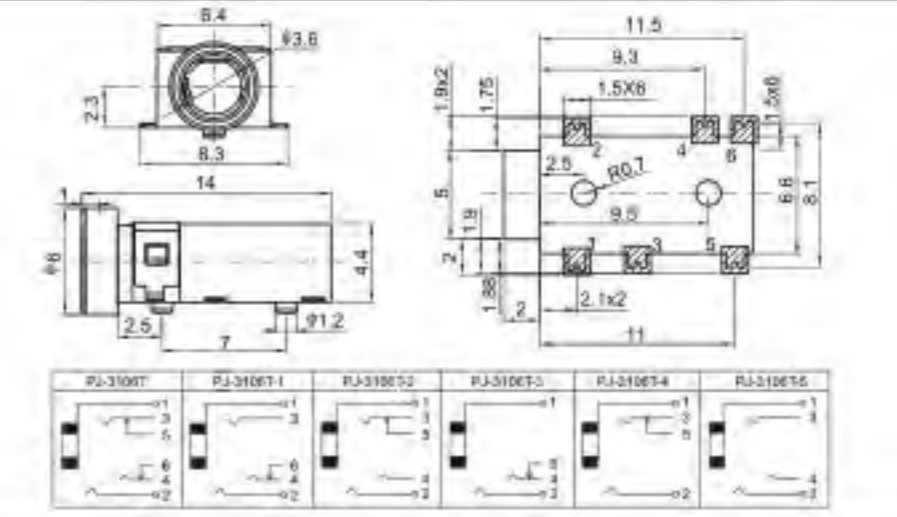
PJ-3106S



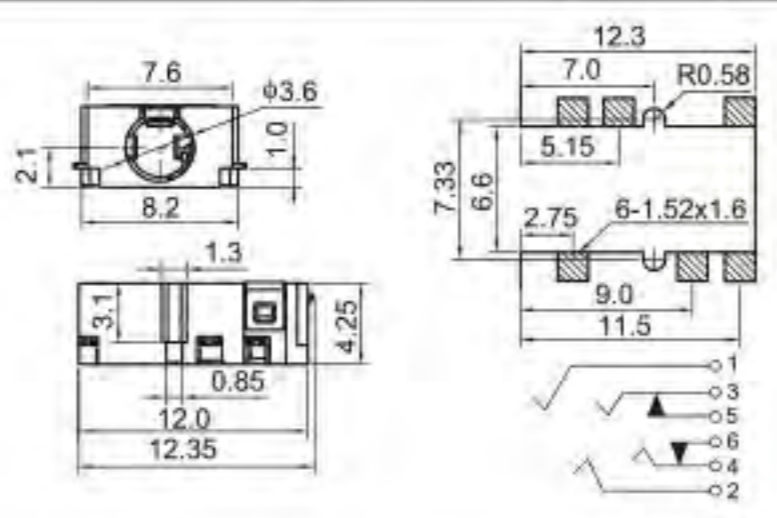
PJ-3106D



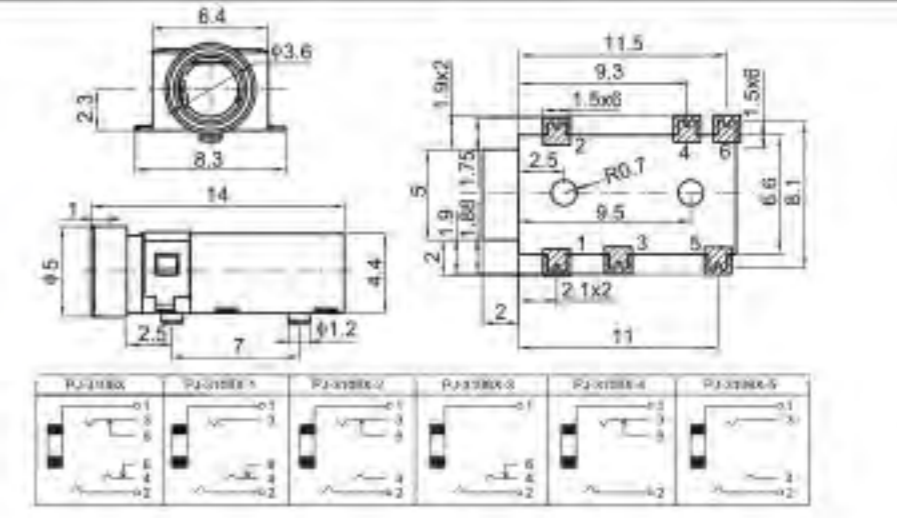
PJ-3106T



PJ-3106E



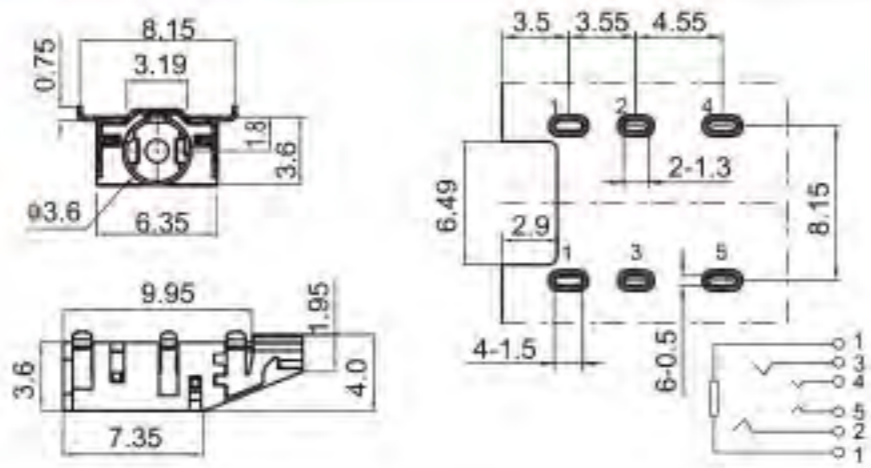
PJ-3106X



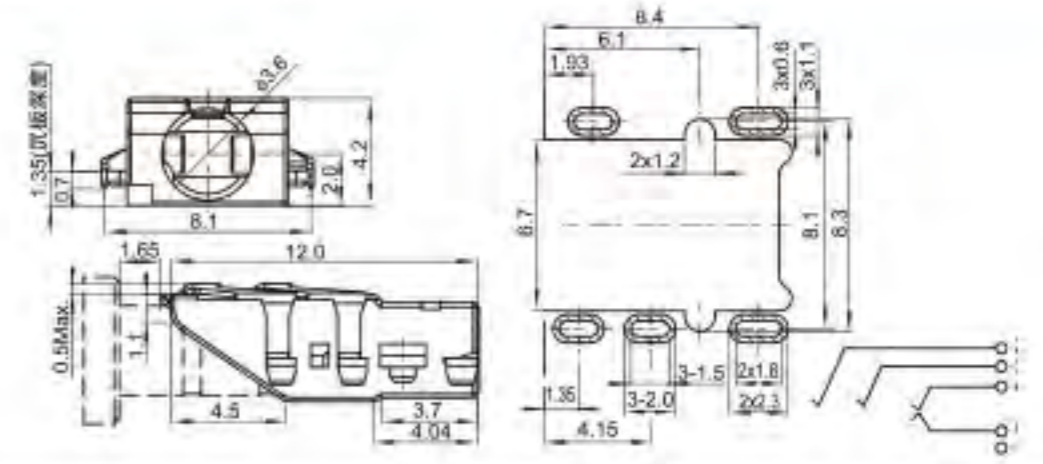




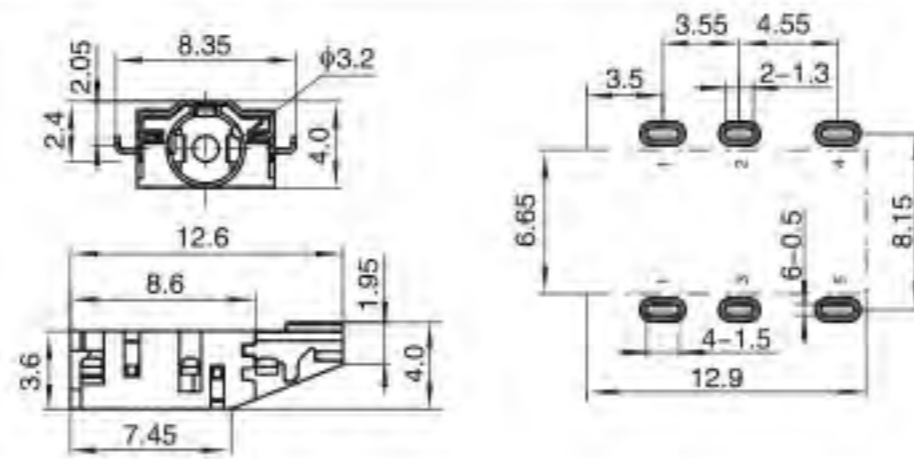
PJ-3113A



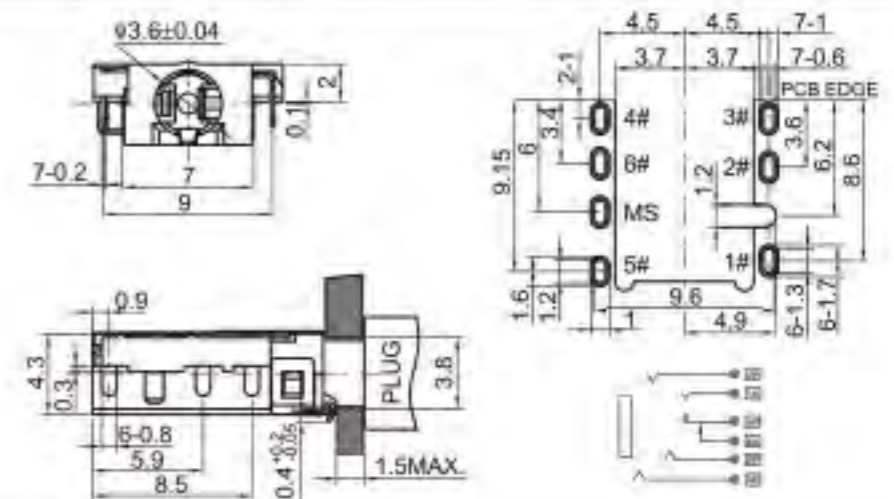
PJ-3114C



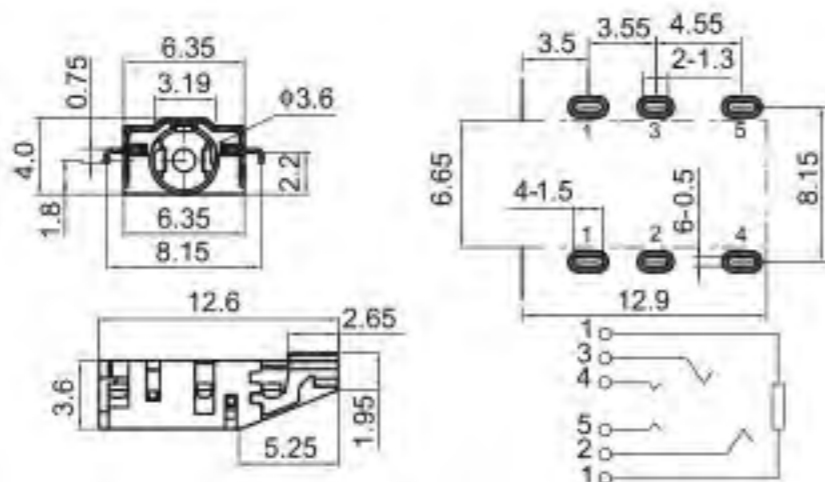
PJ-3113B



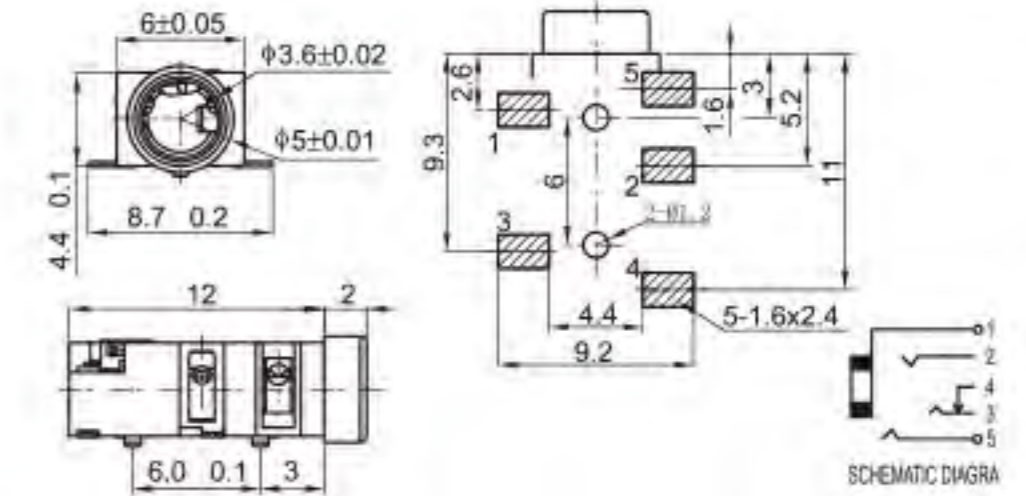
PJ-31167



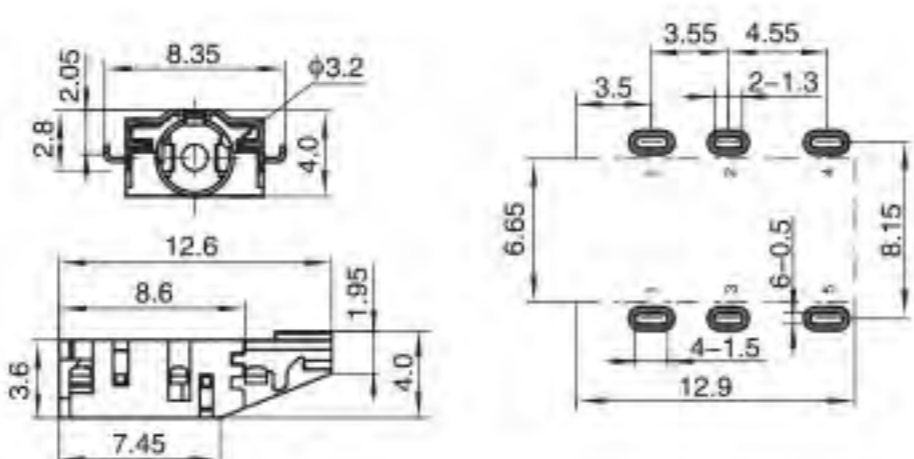
PJ-3113C



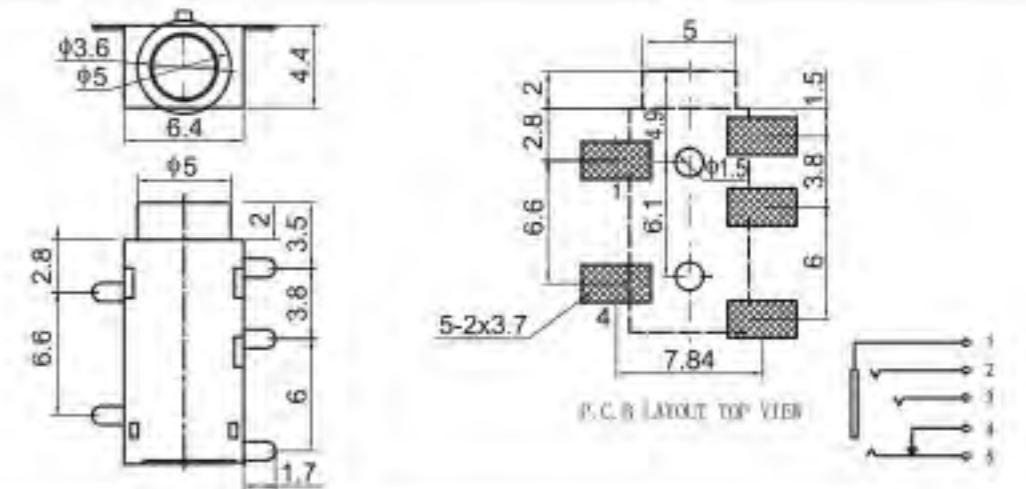
PJ-3127A



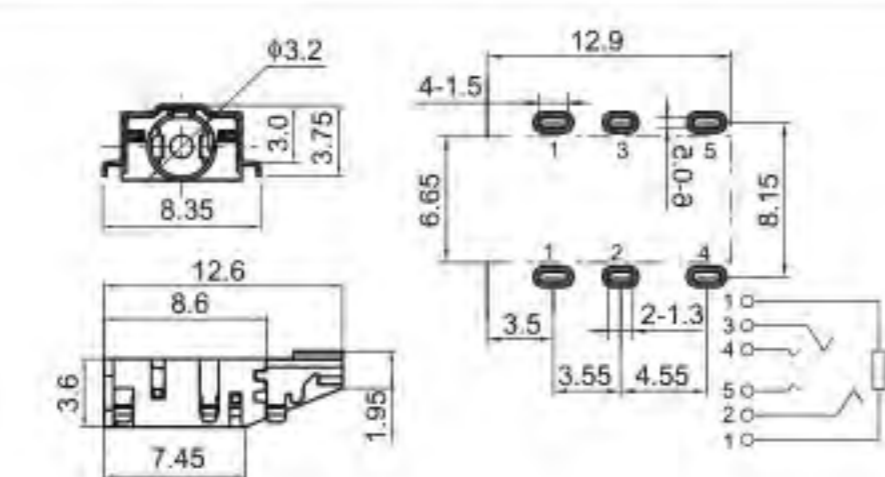
PJ-3113D



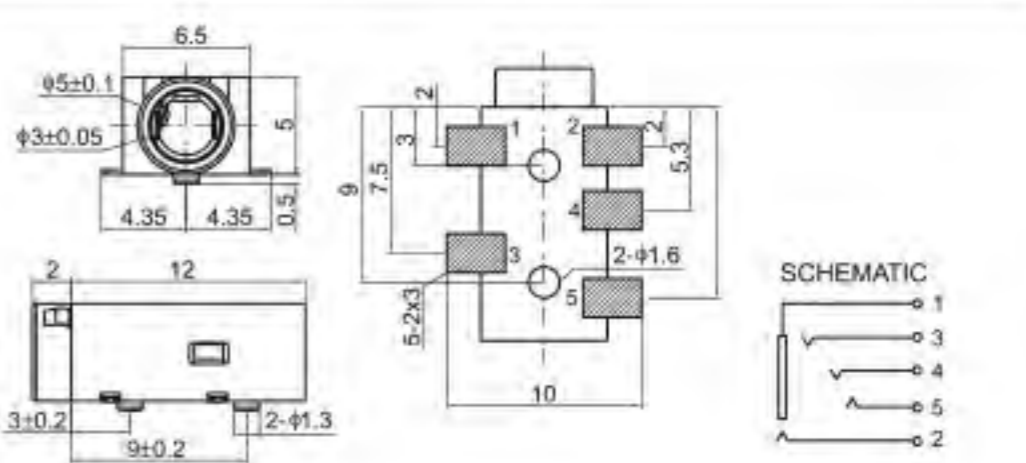
PJ-3127D



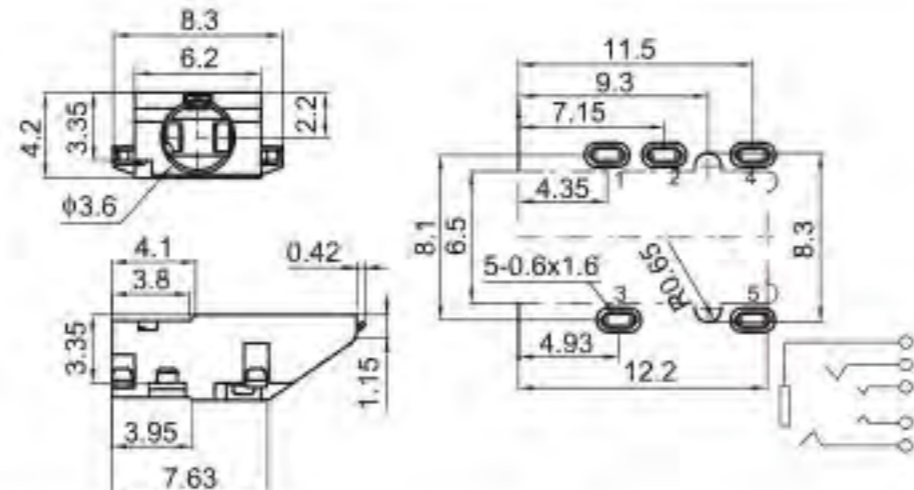
PJ-3113E



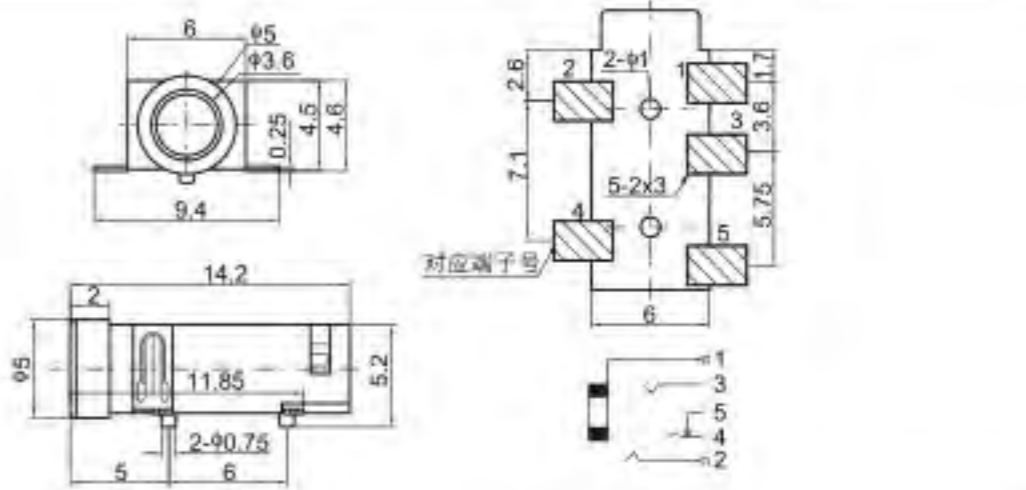
PJ-3127F



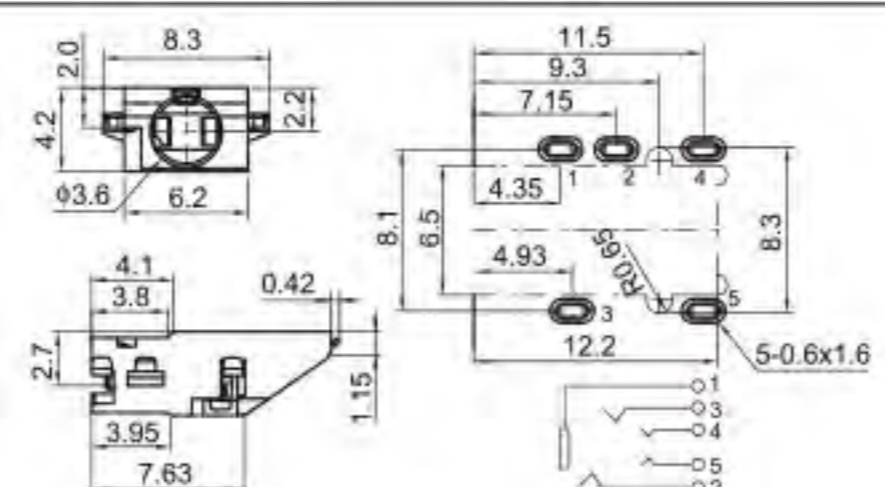
PJ-3114A



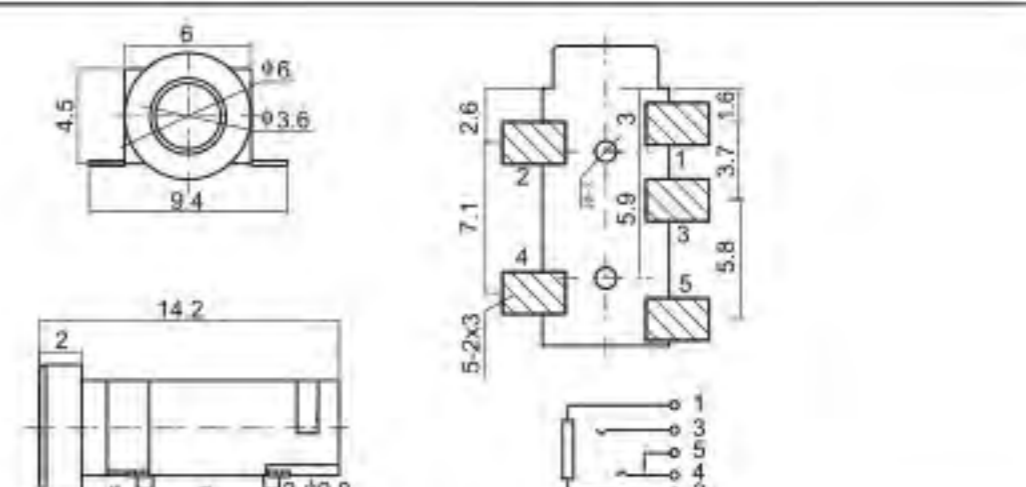
PJ-3127G



PJ-3114B

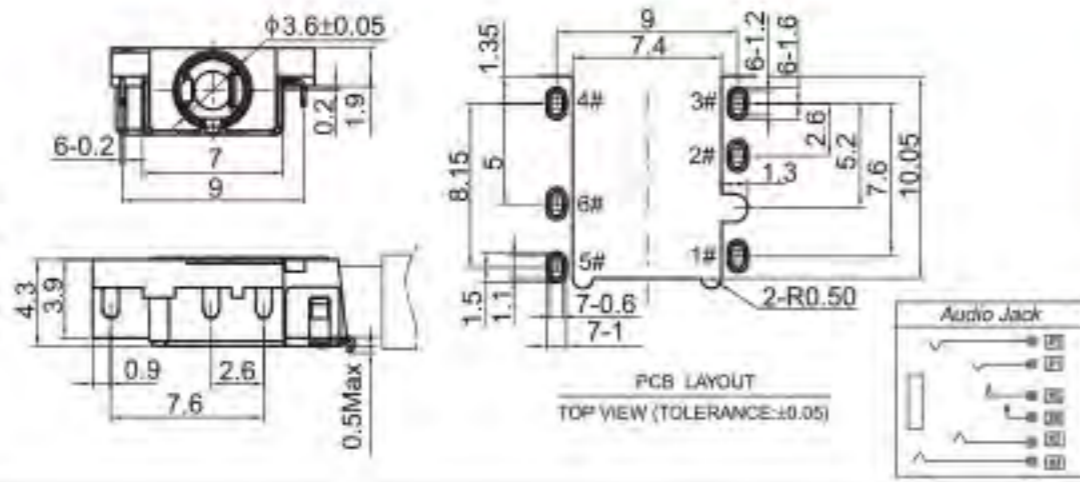


PJ-3127T

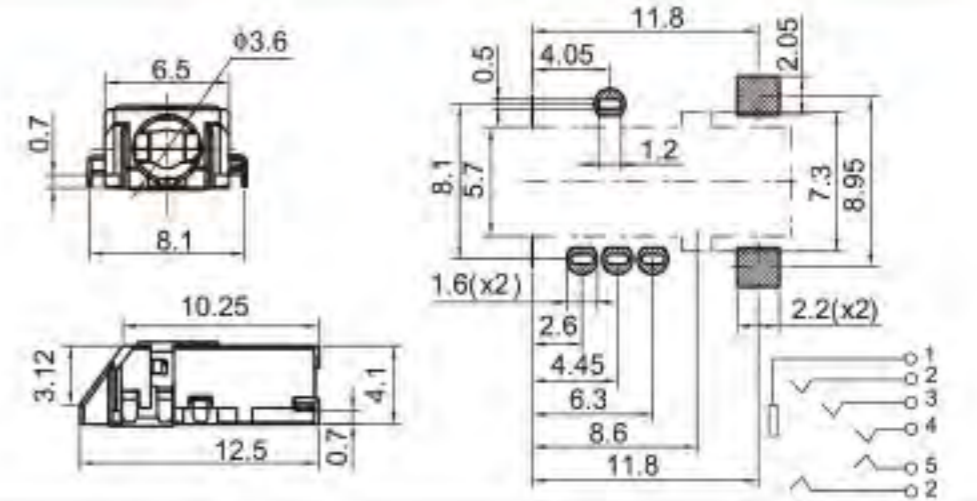




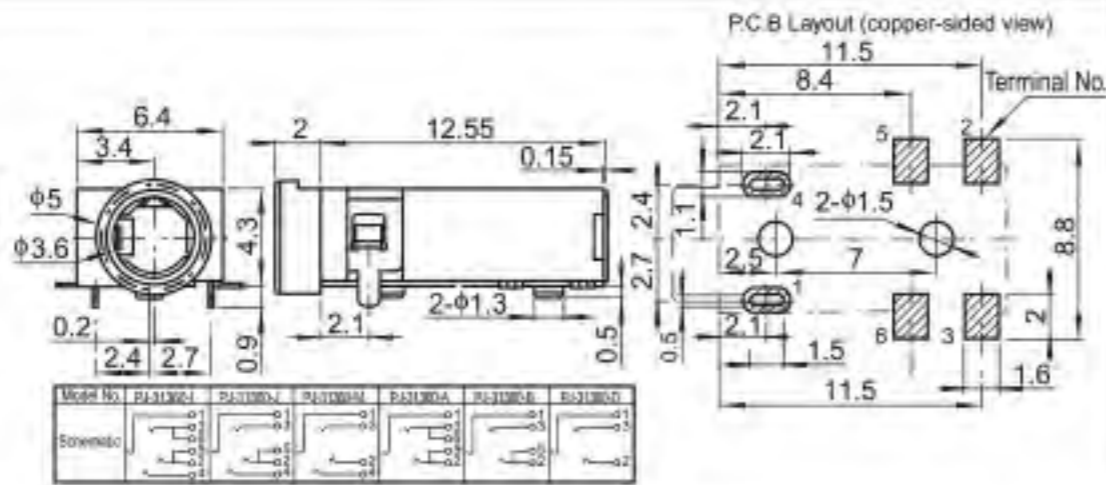
PJ-3129E



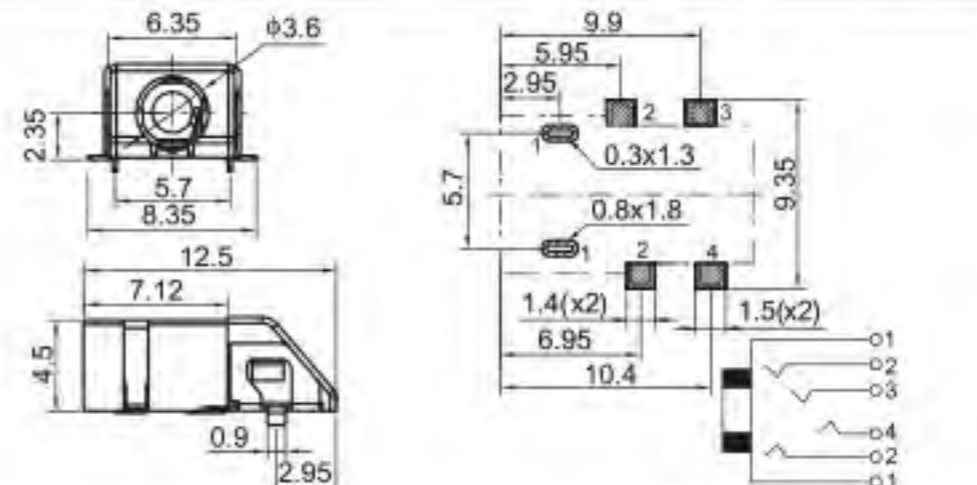
PJ-35081



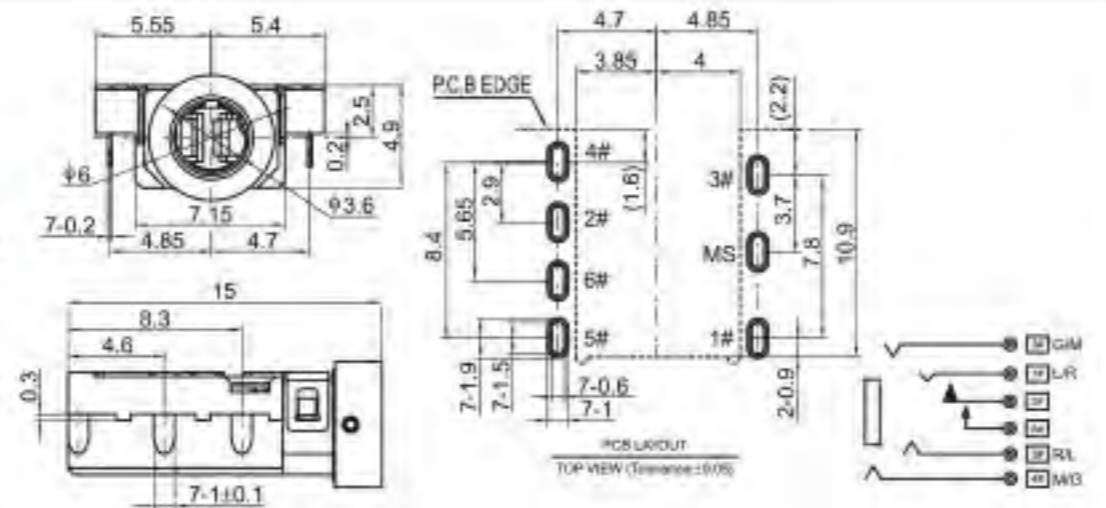
PJ-31360



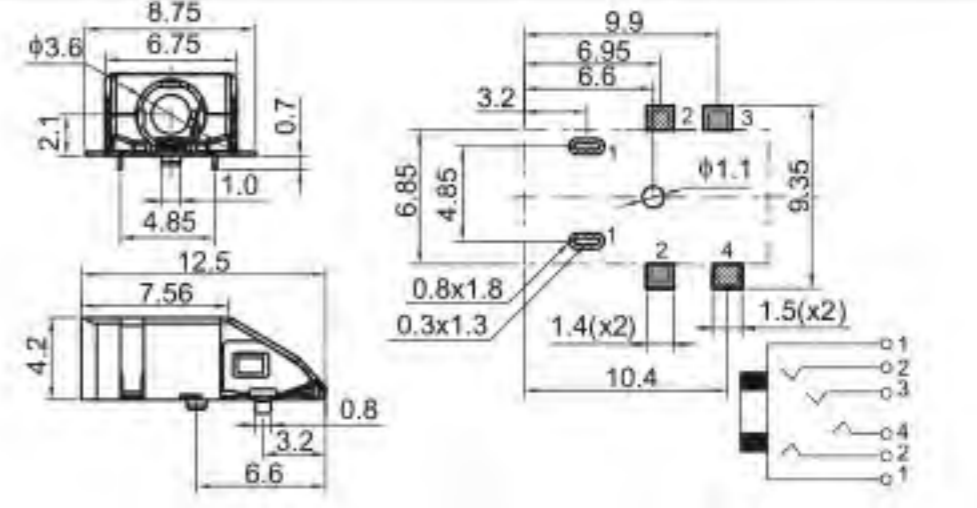
PJ-35082



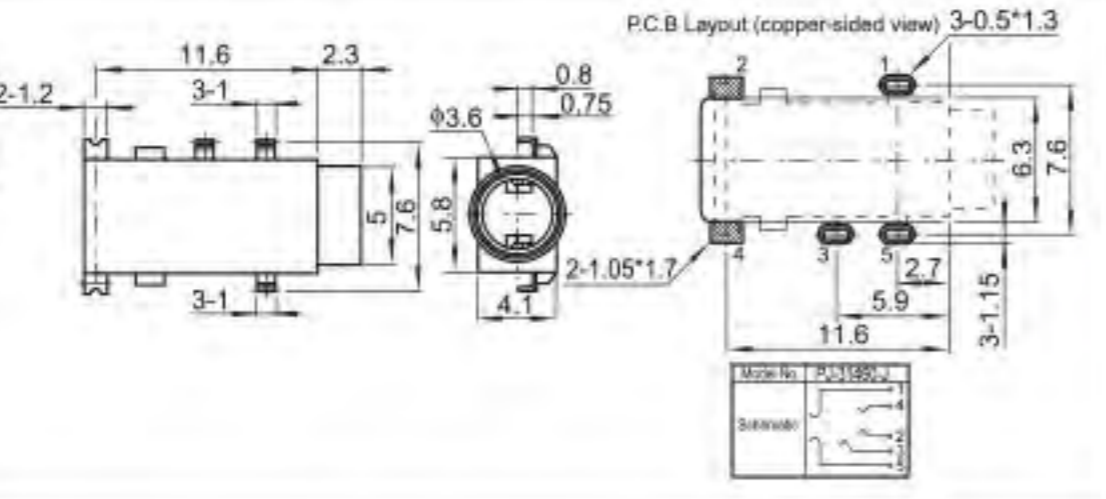
PJ-3142F



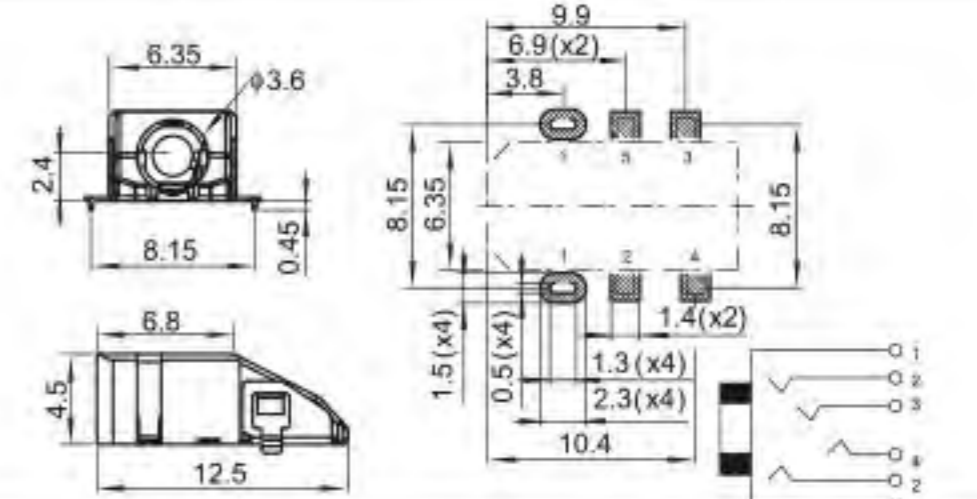
PJ-3508B



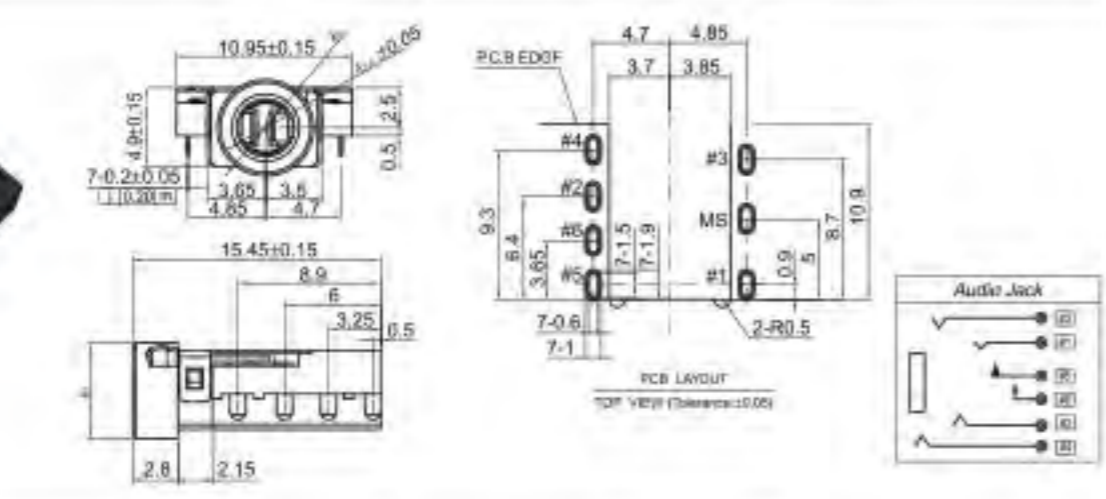
PJ-31460



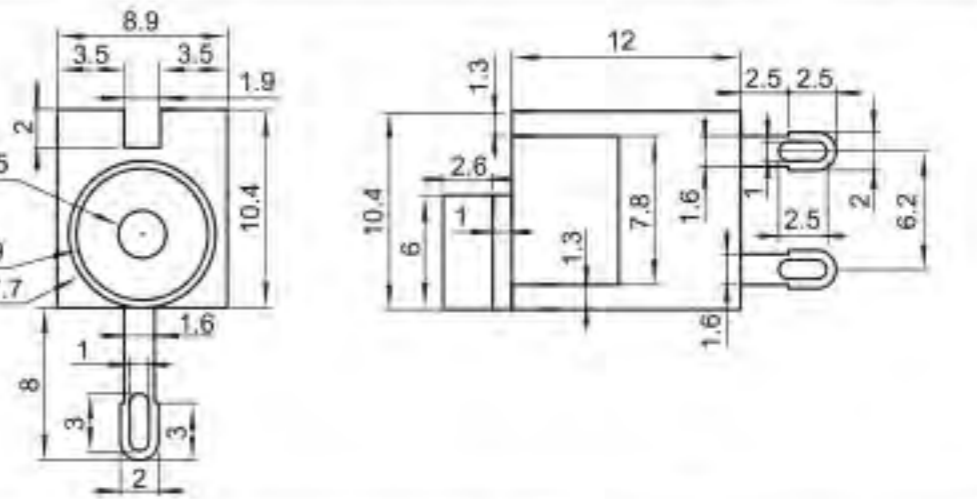
PJ-3508Z



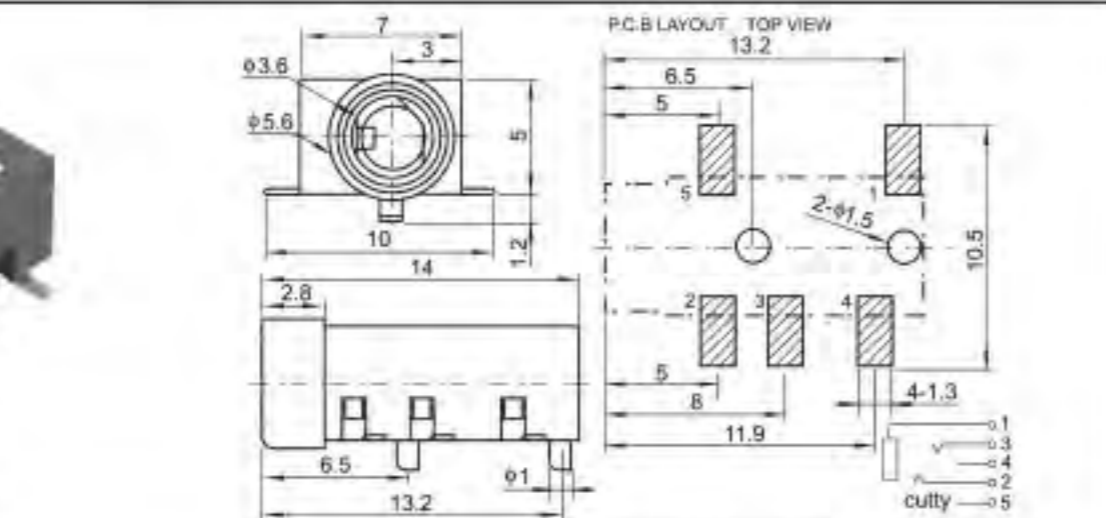
PJ-31750



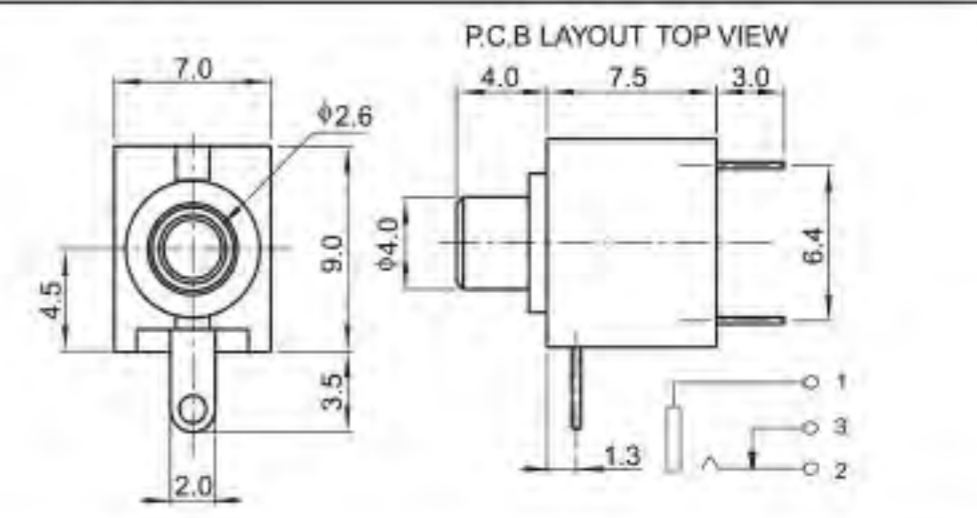
PJ-2001C



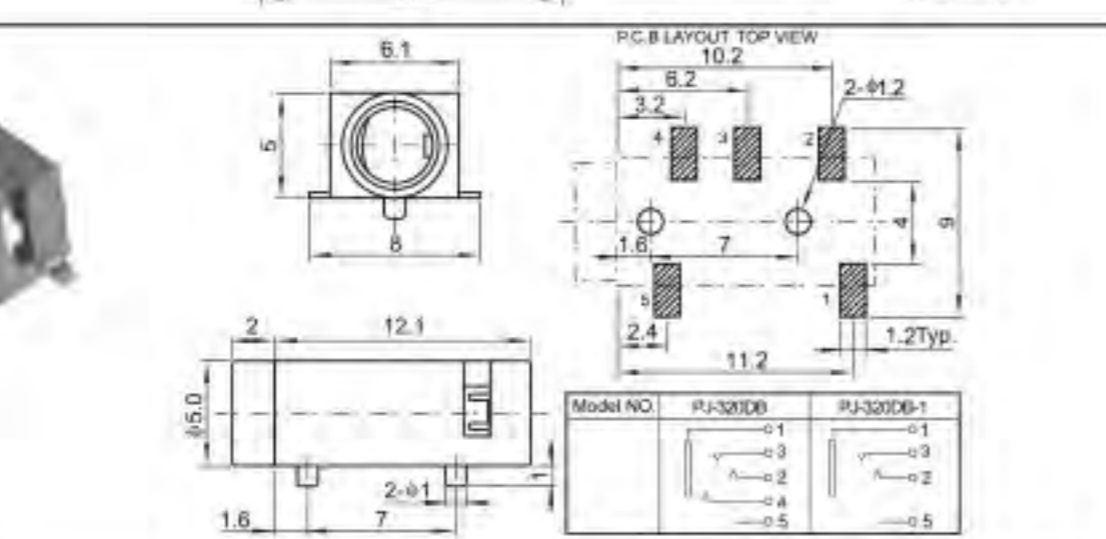
PJ-320EA



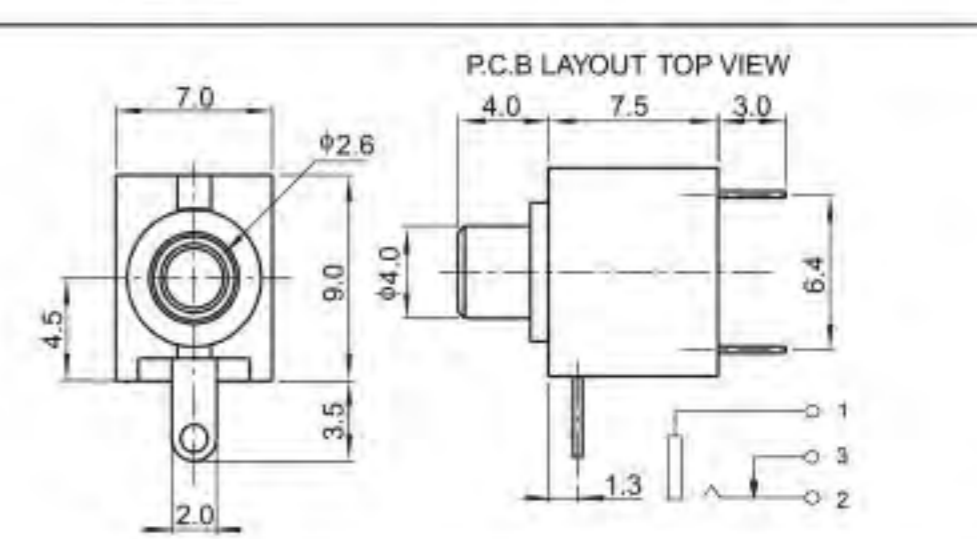
PJ-20010

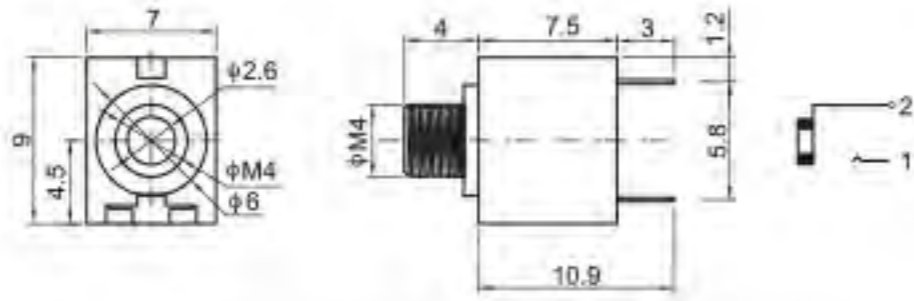


PJ-320DB

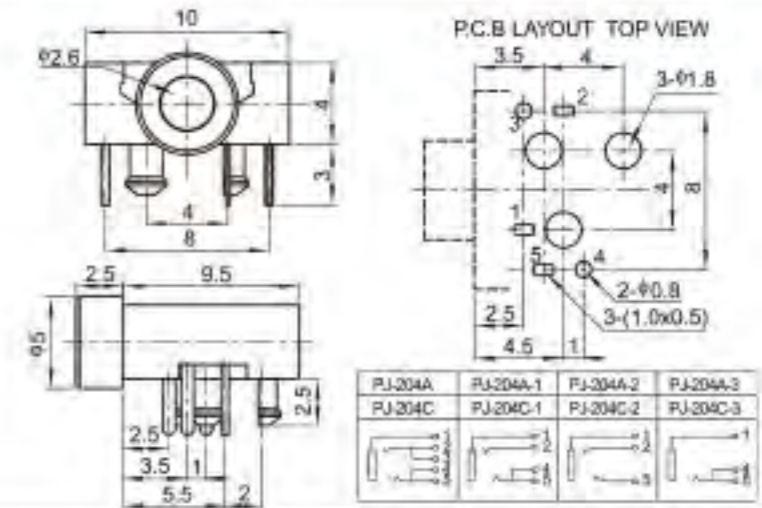


PJ-2001M

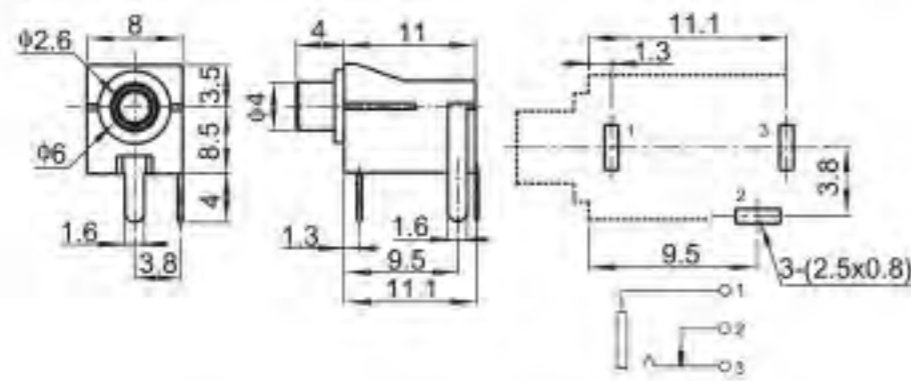




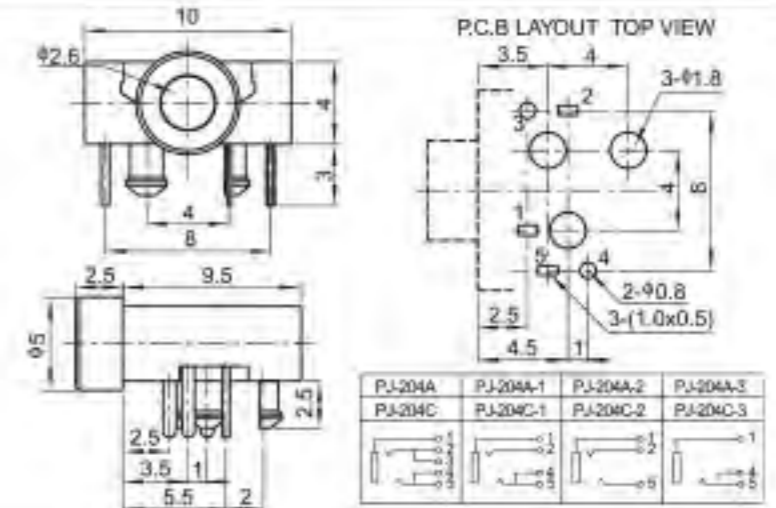
PJ-2001T



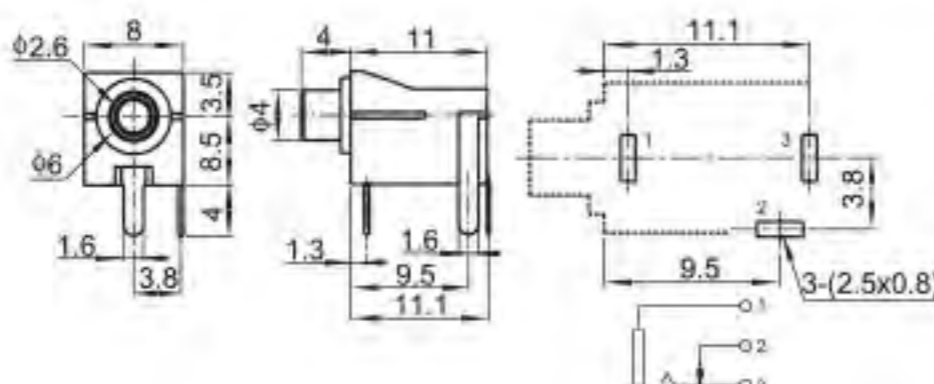
PJ-2004A



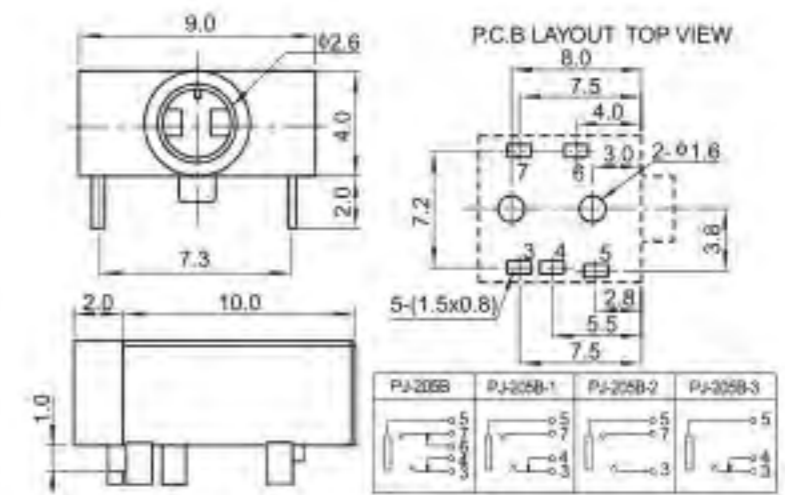
PJ-20020



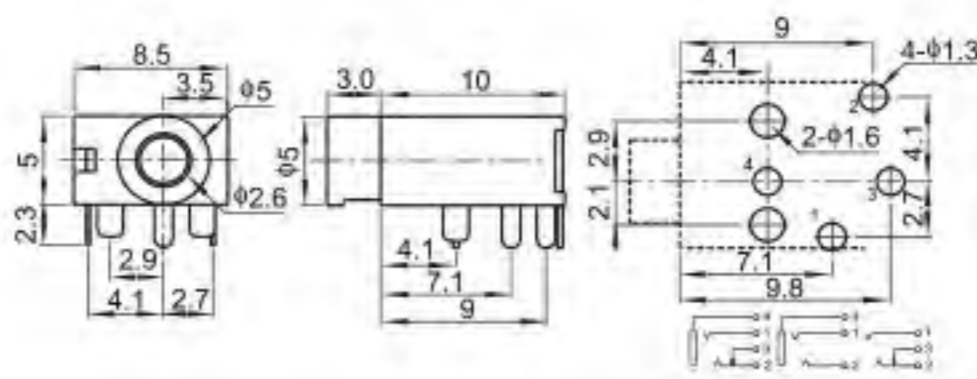
PJ-2004C



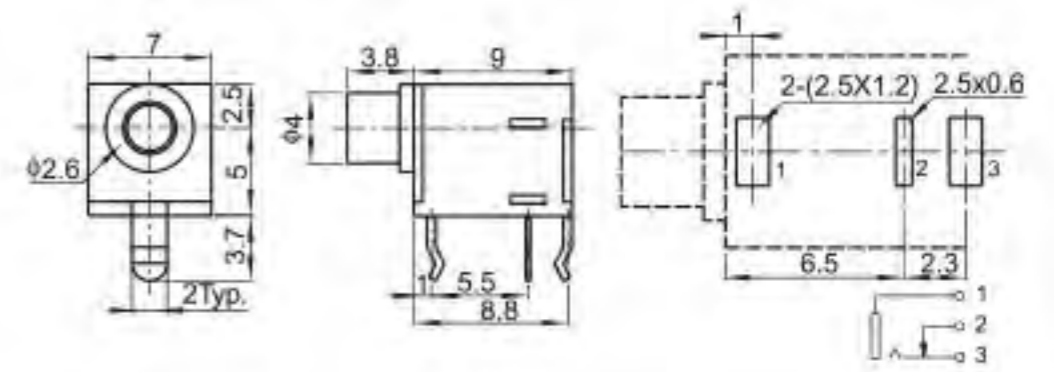
PJ-2002M



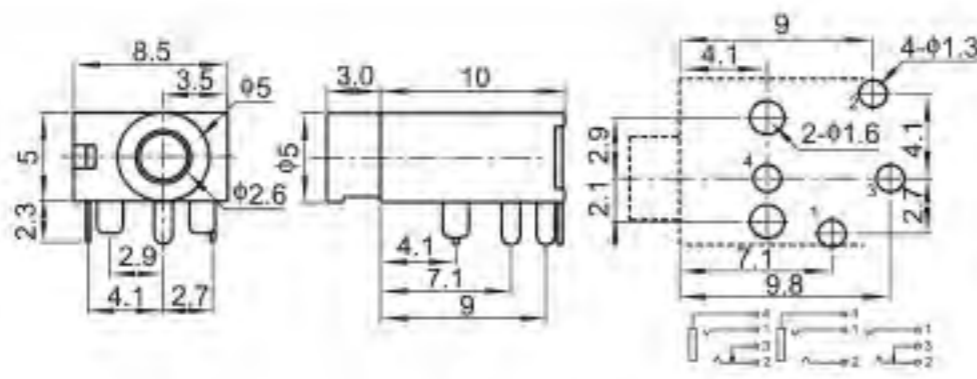
PJ-2005B



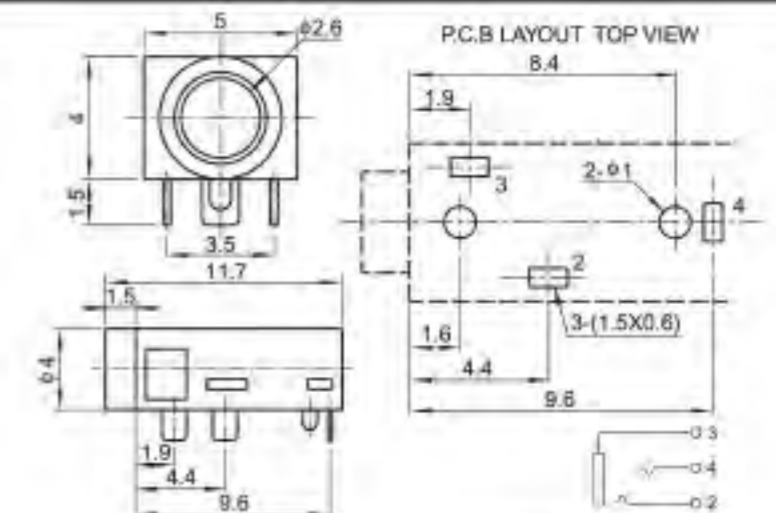
PJ-20030



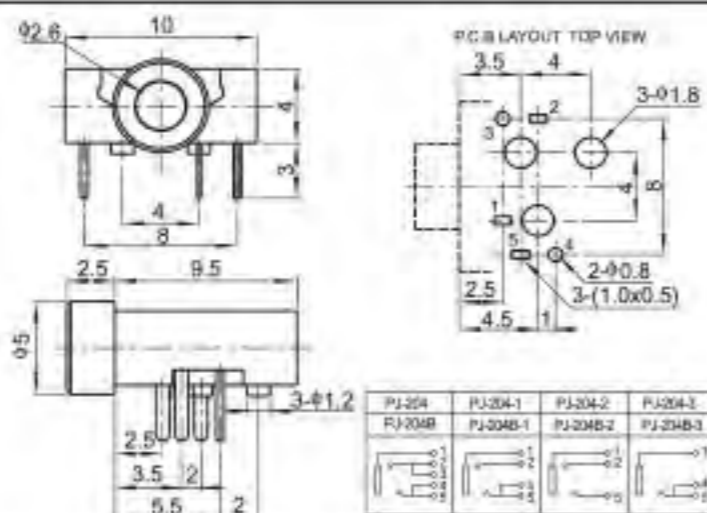
PJ-20060



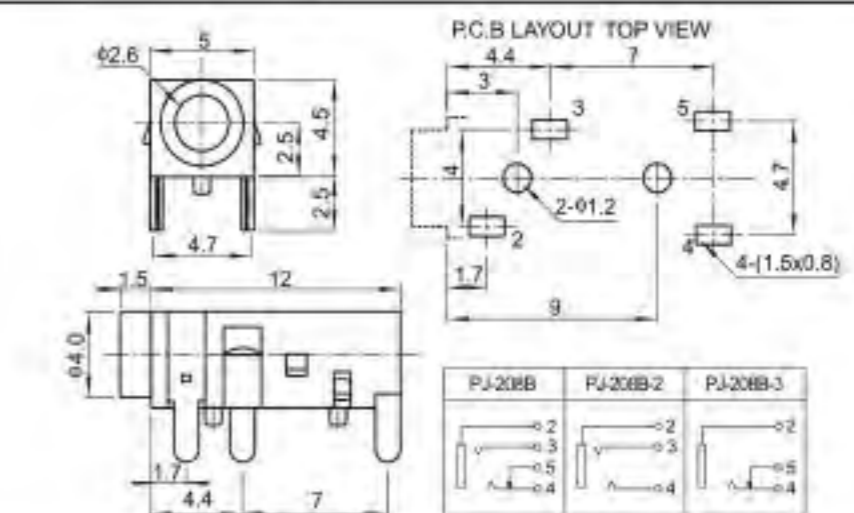
PJ-2003A



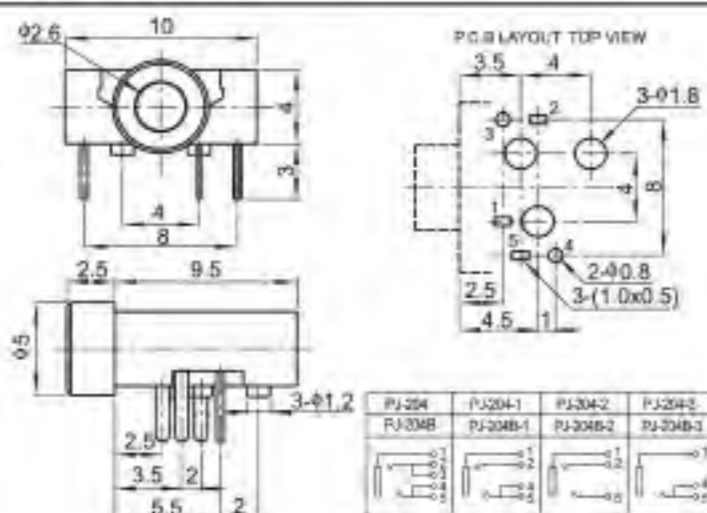
PJ-20070



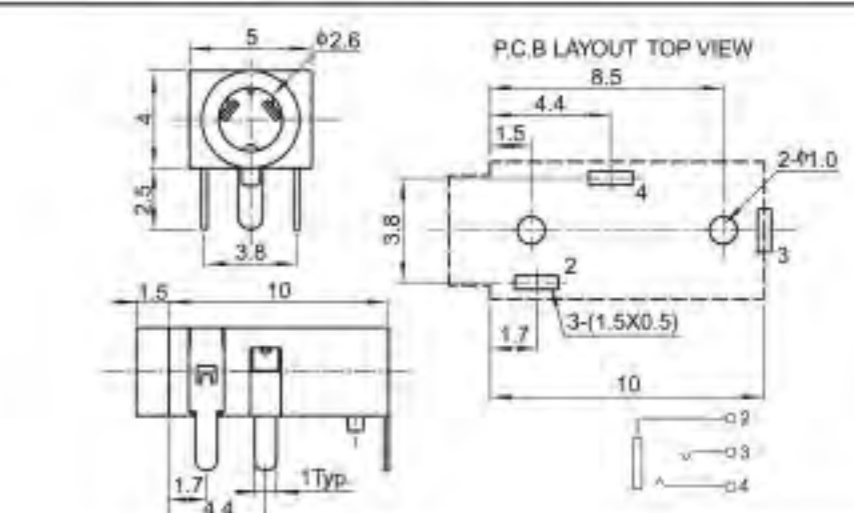
PJ-20040



PJ-2008B



PJ-2004B



PJ-2008C

**PJ-20100**

PC.B LAYOUT TOP VIEW

X	φ4.0	φ5.0
MODEL NO.	PJ-210	PJ-210A

**PJ-2010S**

PC.B LAYOUT TOP VIEW

**PJ-2010A**

PC.B LAYOUT TOP VIEW

X	φ4.0	φ5.0
MODEL NO.	PJ-210	PJ-210A

**PJ-2010T**

PC.B LAYOUT TOP VIEW

**PJ-2010B**

PC.B LAYOUT TOP VIEW

X	φ4.0	φ5.0
MODEL NO.	PJ-210B	PJ-210C

**PJ-20110**

PC.B LAYOUT TOP VIEW

**PJ-2010C**

PC.B LAYOUT TOP VIEW

X	φ4.0	φ5.0
MODEL NO.	PJ-210B	PJ-210C

**PJ-2011A**

PC.B LAYOUT TOP VIEW

X	φ4.0	φ5.0
MODEL NO.	PJ-211A	PJ-211C

**PJ-2010D**

PC.B LAYOUT TOP VIEW

**PJ-2011C**

PC.B LAYOUT TOP VIEW

X	φ4.0	φ5.0
MODEL NO.	PJ-211A	PJ-211C

**PJ-2010I**

PC.B LAYOUT TOP VIEW

X	φ4.0	φ5.0
MODEL NO.	PJ-210	PJ-210A

**PJ-2011B**

PC.B LAYOUT TOP VIEW

**PJ-2010L**

PC.B LAYOUT

**PJ-2011F**

PC.B LAYOUT TOP VIEW

PJ-211F #1	PJ-211F #2	PJ-211F #3	PJ-211F #4
------------	------------	------------	------------

**PJ-20120**

PC.B LAYOUT TOP VIEW

**PJ-2016A**

**PJ-20130**

PC.B LAYOUT TOP VIEW

**PJ-2016B**

**PJ-2013M**

PC.B LAYOUT TOP VIEW

**PJ-2018A**

PC.B LAYOUT TOP VIEW

**PJ-213BM**

PC.B LAYOUT TOP VIEW

**PJ-20300**

PC.B LAYOUT TOP VIEW

**PJ-20140**

PC.B LAYOUT TOP VIEW

**PJ-20520**

PC.B LAYOUT TOP VIEW

**PJ-20150**

PC.B LAYOUT TOP VIEW

**PJ-20600**

PC.B LAYOUT TOP VIEW


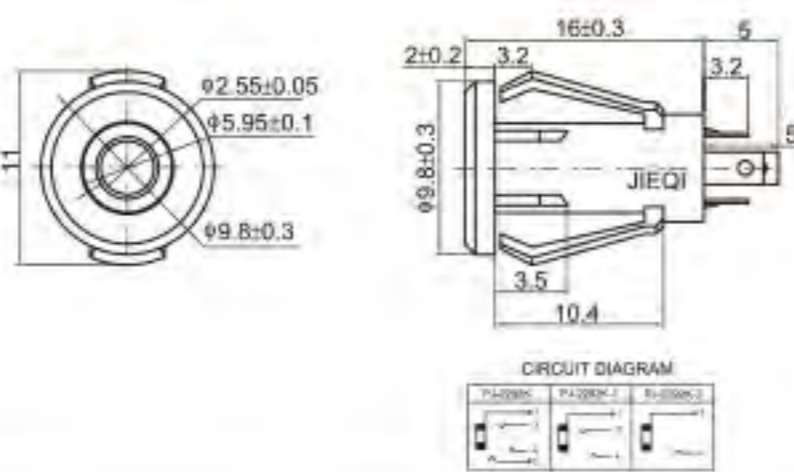

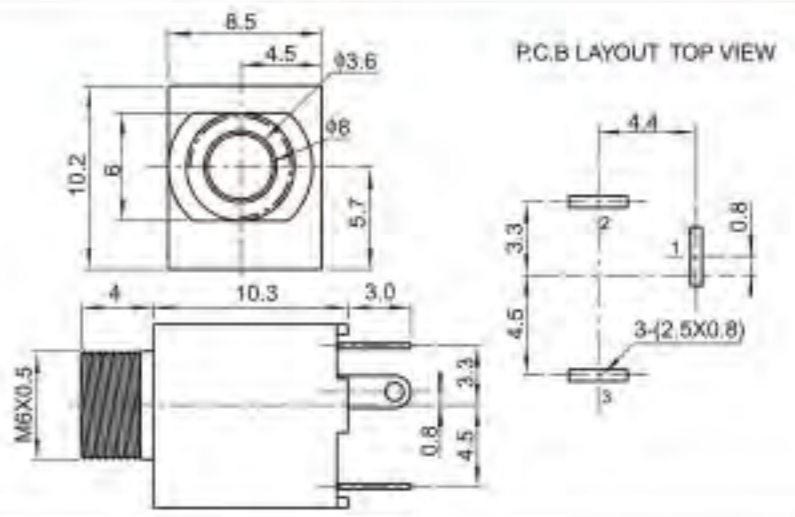

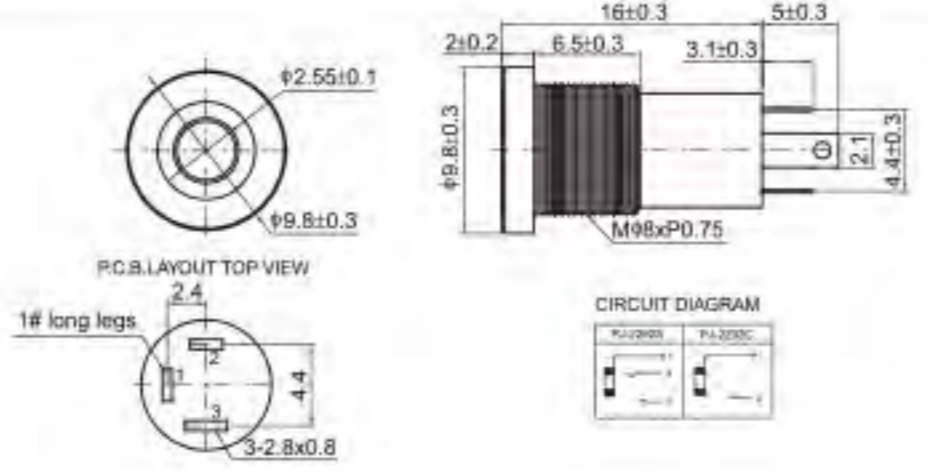

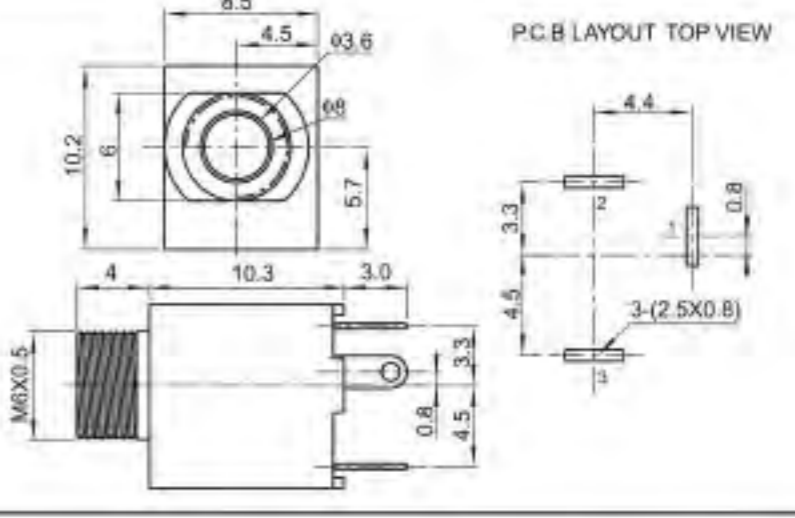

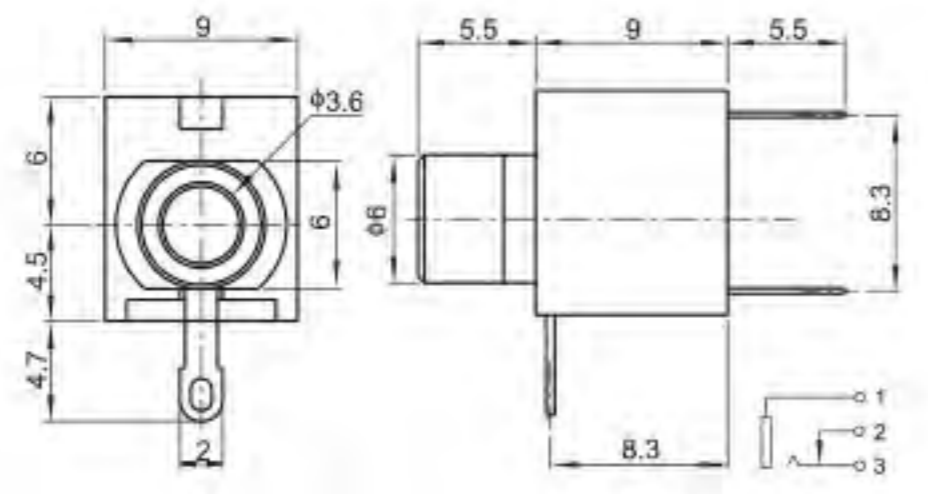

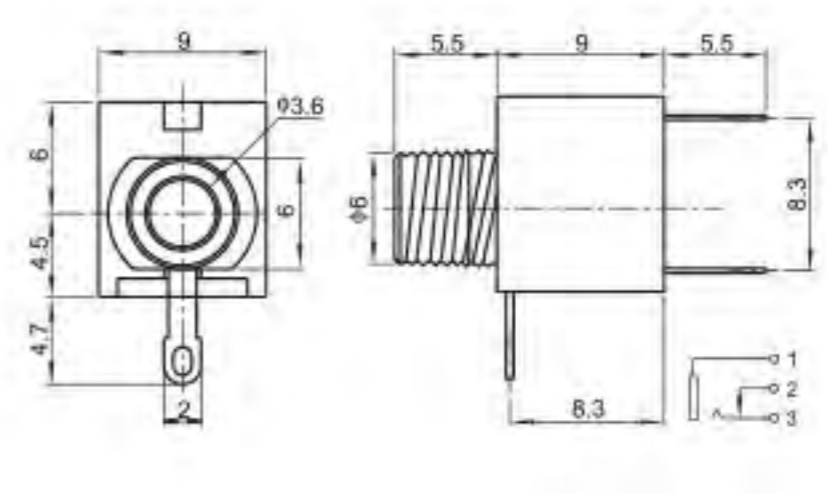

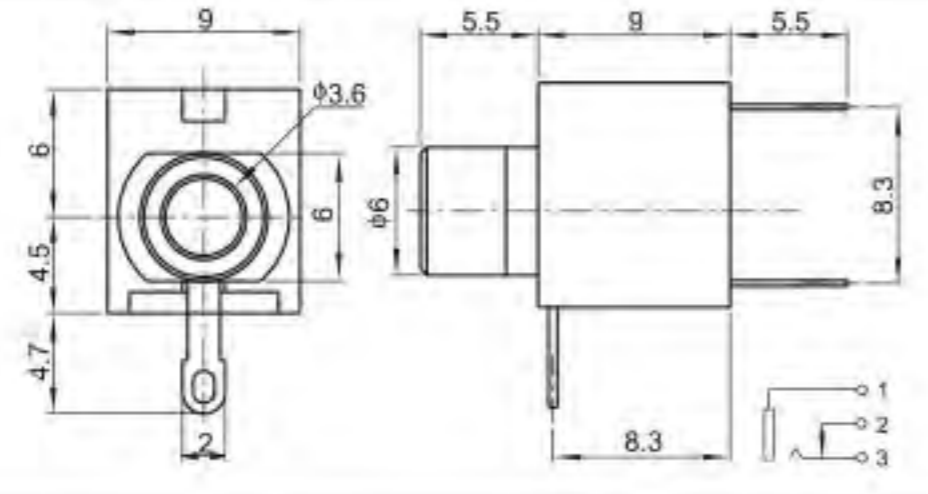

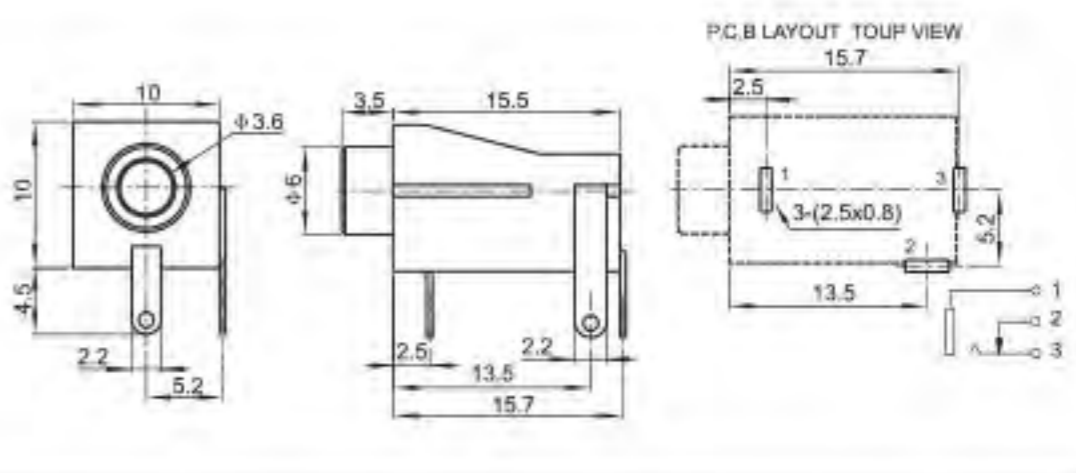

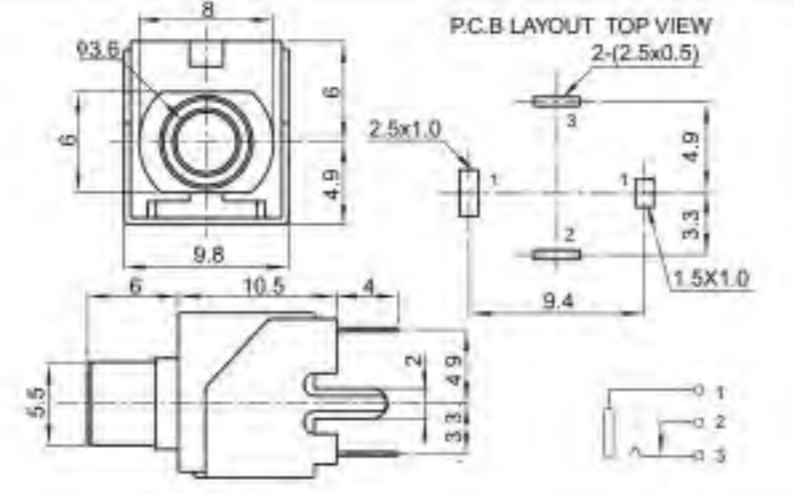

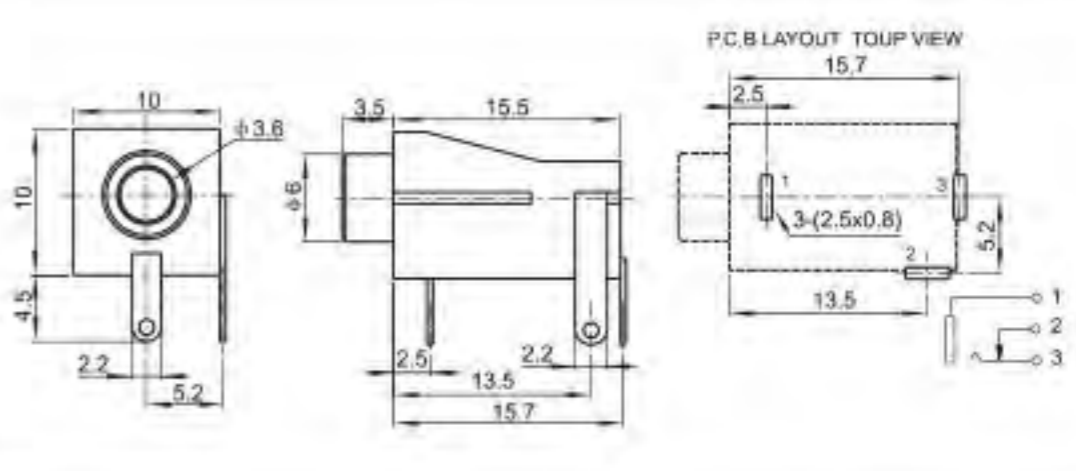

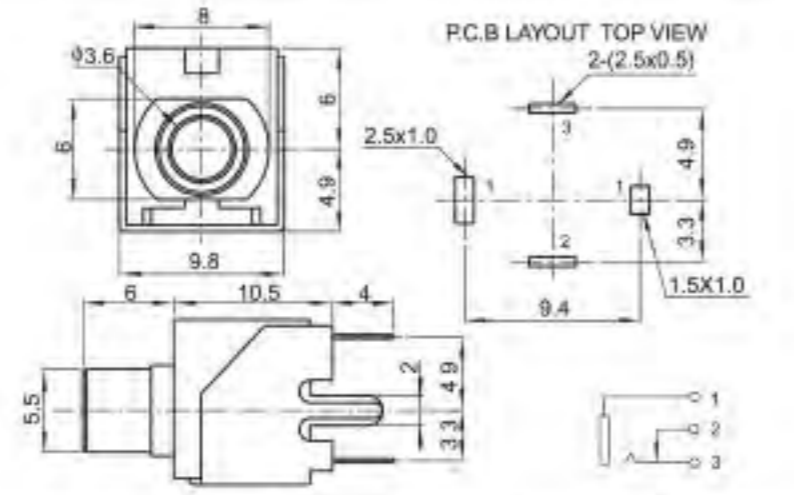

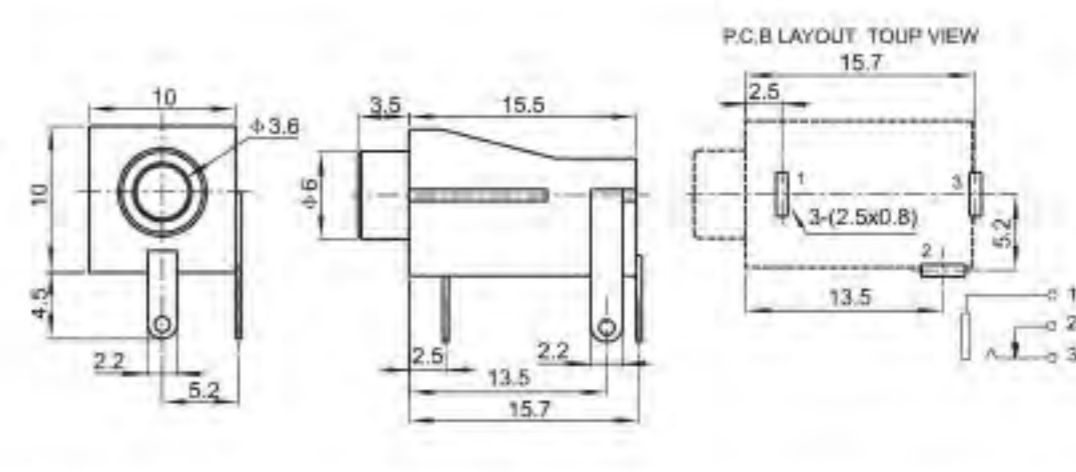

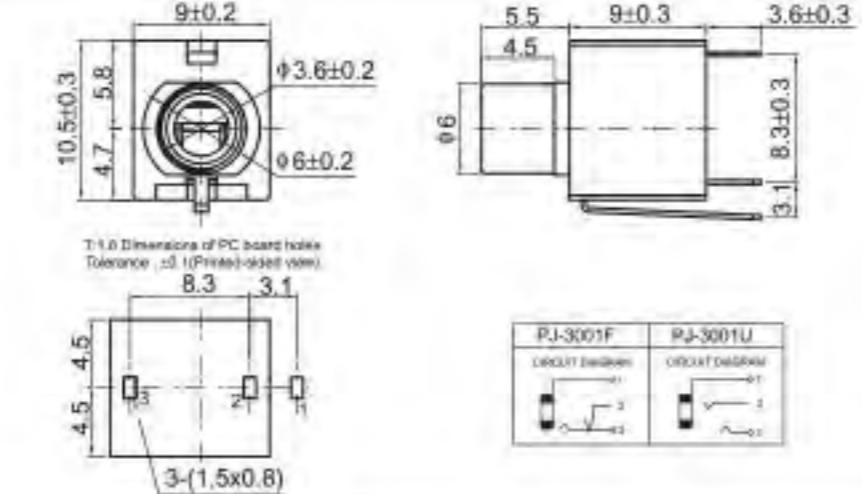

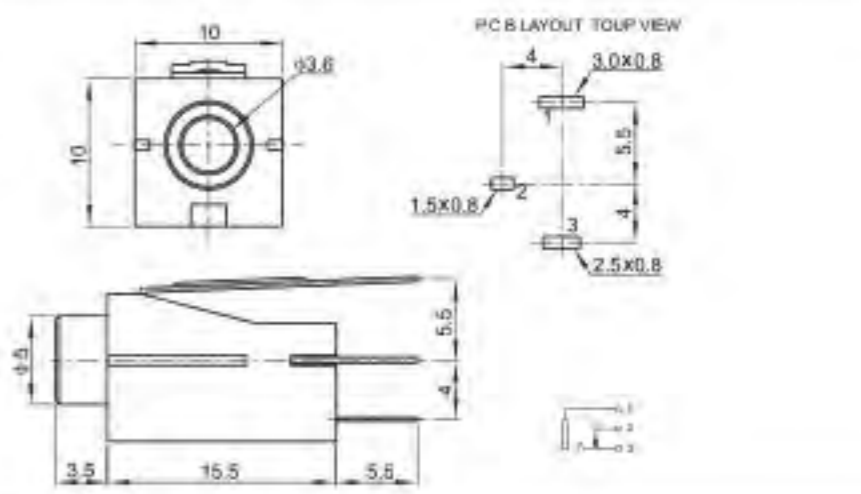
**PJ-20160**

PC.B LAYOUT TOP VIEW

**PJ-2292A**

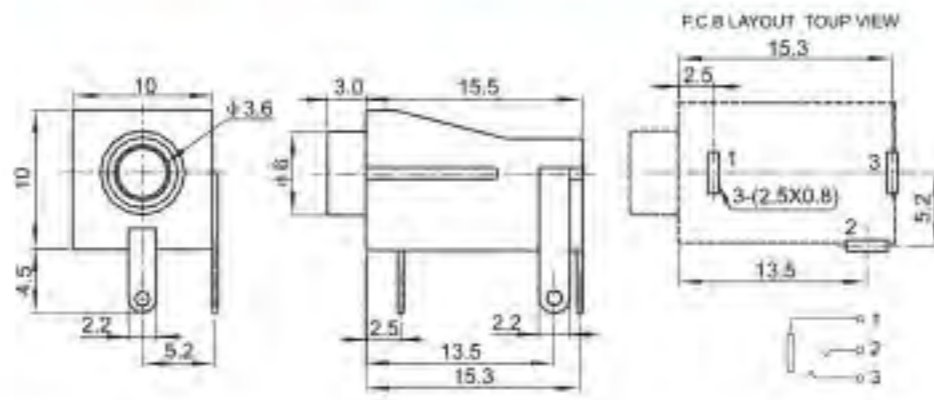
PC.B LAYOUT TOP VIEW

CIRCUIT DIAGRAM

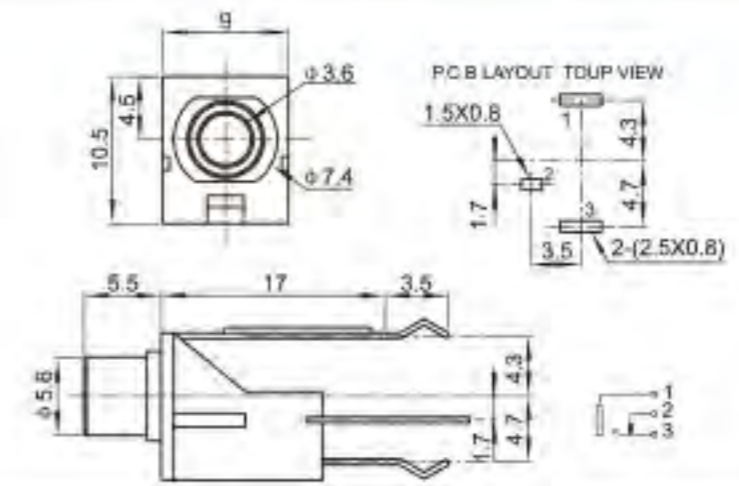
  <p><b>PJ-2292K</b></p>	  <p><b>PJ-3001C</b></p>
  <p><b>PJ-2292S</b></p>	  <p><b>PJ-301CM</b></p>
  <p><b>PJ-30010</b></p>	  <p><b>PJ-301DM</b></p>
  <p><b>PJ-3001M</b></p>	  <p><b>PJ-30020</b></p>
  <p><b>PJ-3001B</b></p>	  <p><b>PJ-3002M</b></p>
  <p><b>PJ-3001E</b></p>	  <p><b>PJ-3002B</b></p>
  <p><b>PJ-3001F</b></p>	  <p><b>PJ-3002C</b></p>



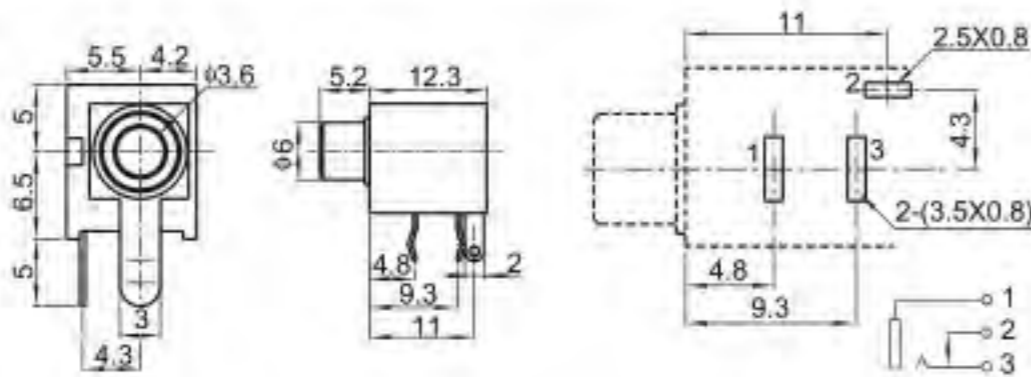
PJ-3002D



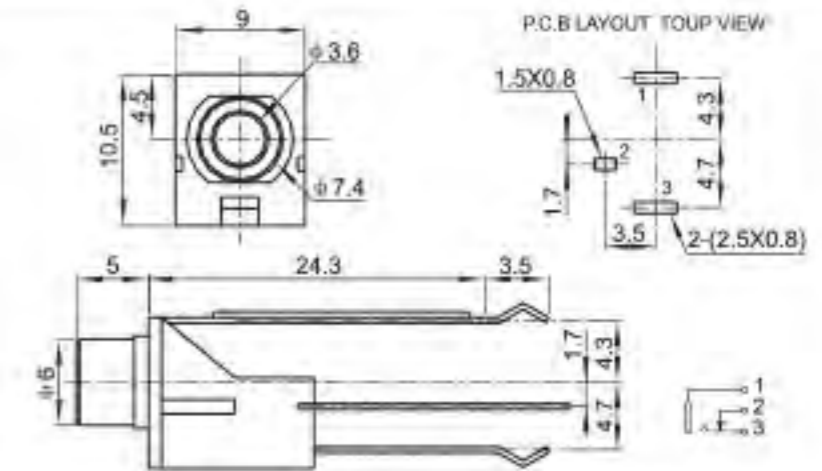
PJ-3005M



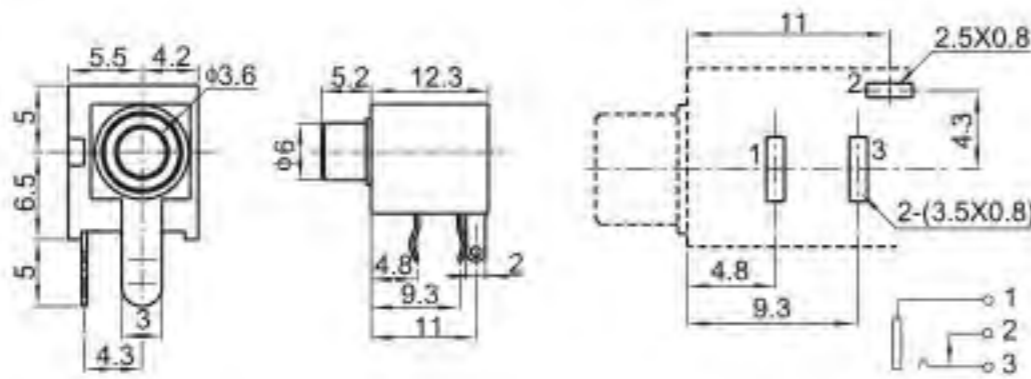
PJ-30030



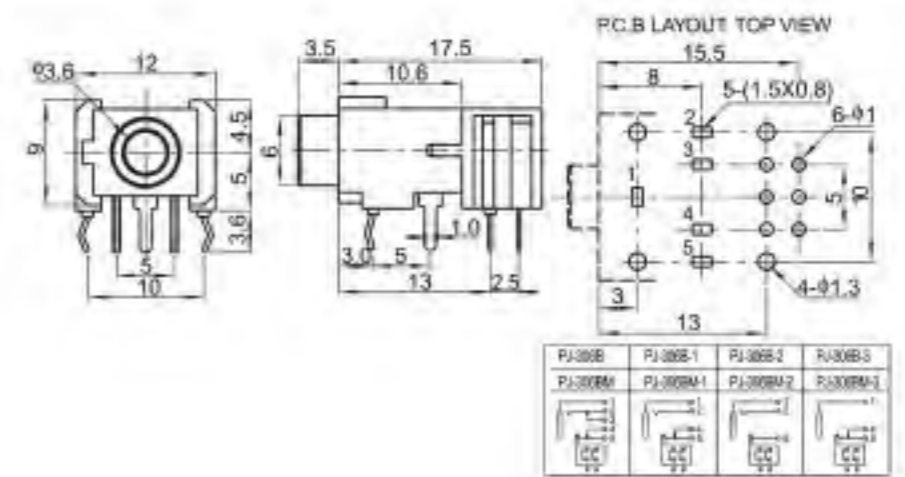
PJ-3005A



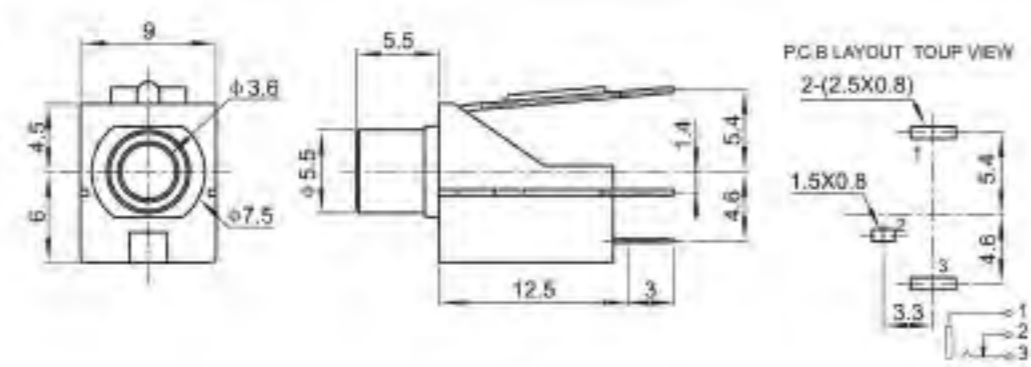
PJ-3003M



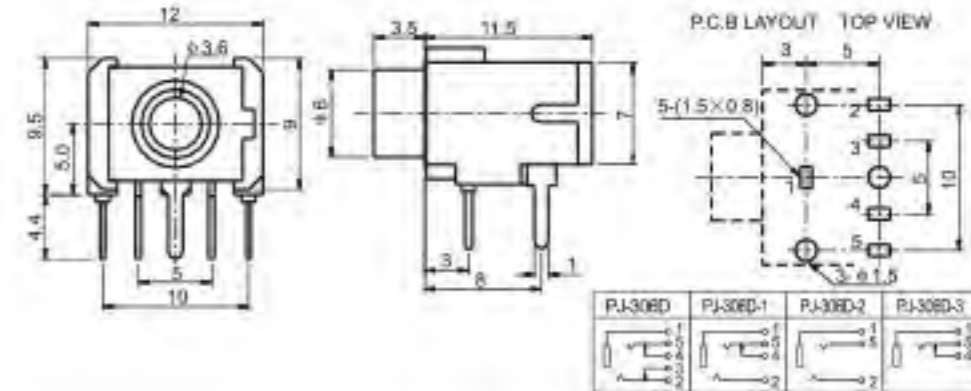
PJ-3006C



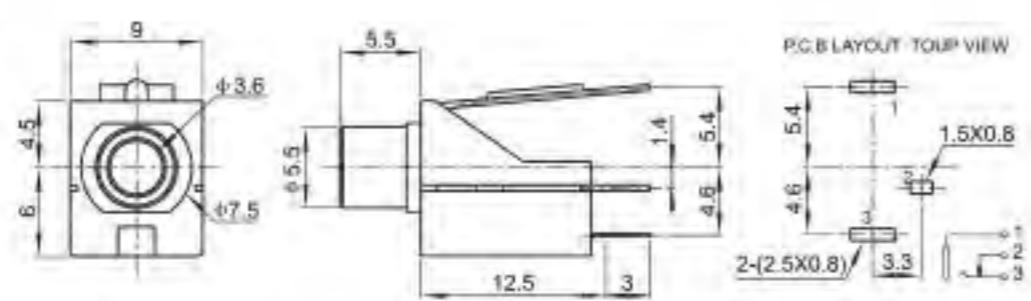
PJ-30040



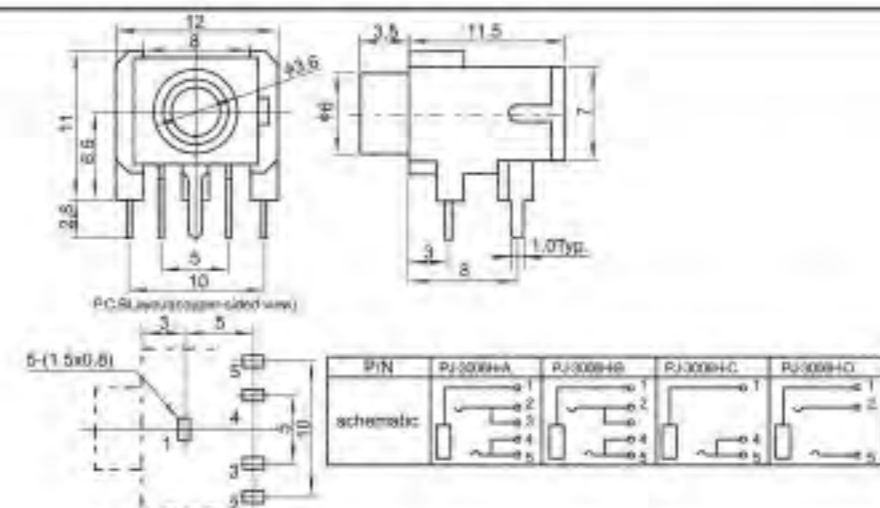
PJ-3006D



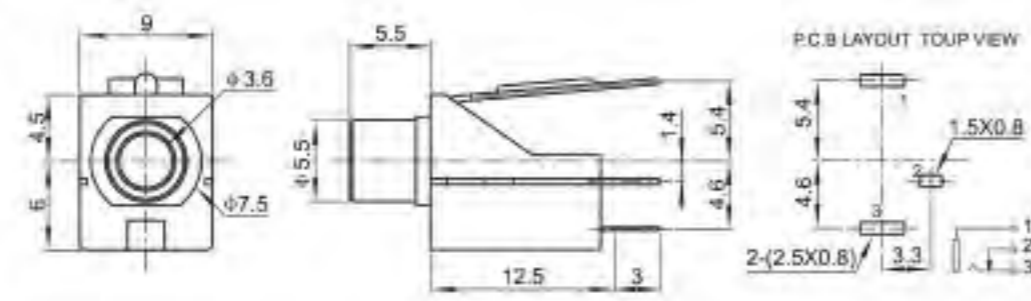
PJ-3004A



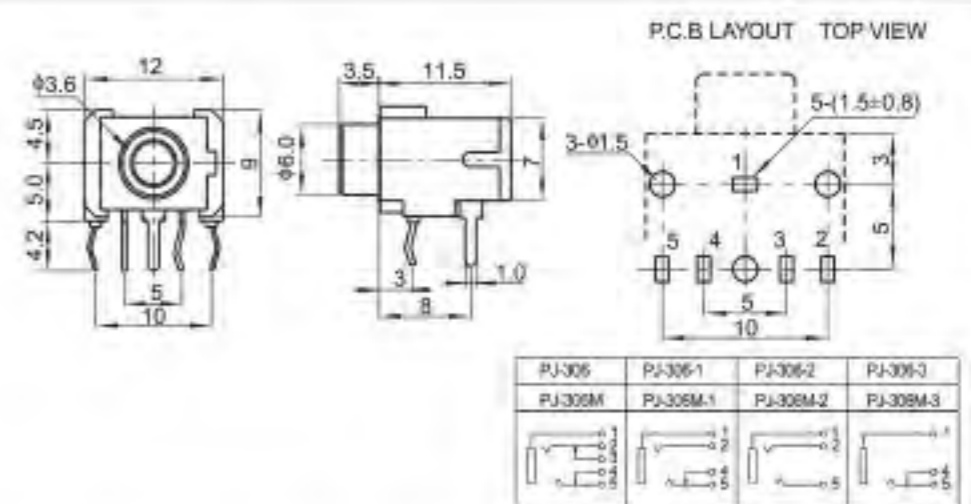
PJ-3006H



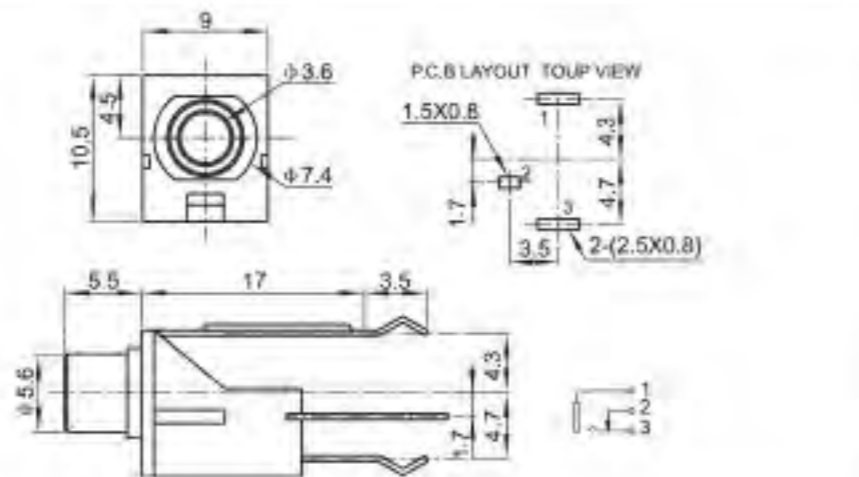
PJ-3004B



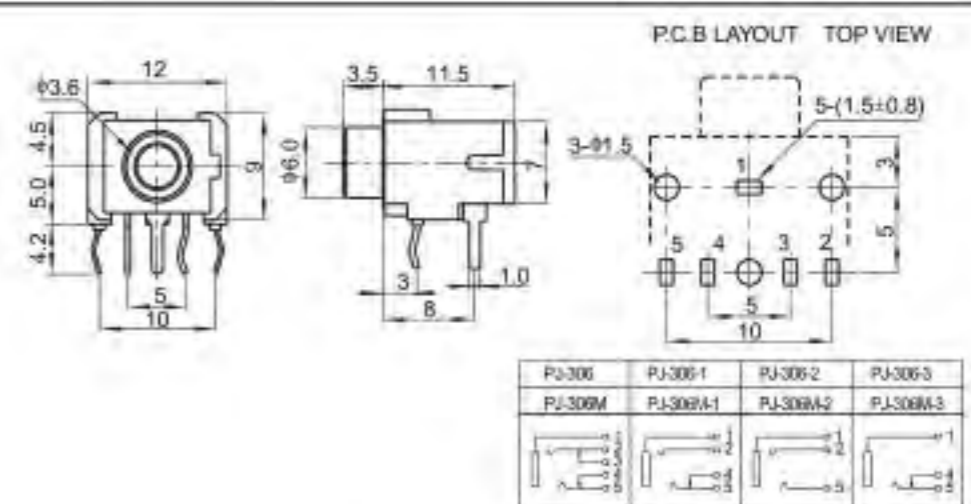
PJ-30060



PJ-30050



PJ-3006M



PJ-3006F	PJ-3006F-1	PJ-3006F-2	PJ-3006F-3
PJ-3006P	PJ-3006P-1	PJ-3006P-2	PJ-3006P-3

PJ-3006F

PJ-306GA	PJ-306GA-1	PJ-306GA-2	PJ-306GA-3
----------	------------	------------	------------

PJ-306GA

PJ-3006P	PJ-3006P-1	PJ-3006P-2	PJ-3006P-3
----------	------------	------------	------------

PJ-3006P

PJ-3006J	PJ-3006J-1	PJ-3006J-2	PJ-3006J-3
PJ-3006L	PJ-3006L-1	PJ-3006L-2	PJ-3006L-3

PJ-3006J

PJ-3006B	PJ-3006B-1	PJ-3006B-2	PJ-3006B-3
PJ-3006M	PJ-3006M-1	PJ-3006M-2	PJ-3006M-3

PJ-3006B

PJ-3006L	PJ-3006L-1	PJ-3006L-2	PJ-3006L-3
----------	------------	------------	------------

PJ-3006L

PJ-306BM	PJ-306BM-1	PJ-306BM-2	PJ-306BM-3
PJ-306EM	PJ-306EM-1	PJ-306EM-2	PJ-306EM-3

PJ-306BM

PJ-3006R	PJ-3006R-1	PJ-3006R-2	PJ-3006R-3
----------	------------	------------	------------

PJ-3006R

PJ-3006E	PJ-3006E-1	PJ-3006E-2	PJ-3006E-3
PJ-3006M	PJ-3006M-1	PJ-3006M-2	PJ-3006M-3

PJ-3006E

P/N	PJ-3006VA	PJ-3006VB	PJ-3006VC	PJ-3006VD
-----	-----------	-----------	-----------	-----------

PJ-3006V

PJ-306EM	PJ-306EM-1	PJ-306EM-2	PJ-306EM-3
----------	------------	------------	------------

PJ-306EM

Module No.	PJ-3006YA	PJ-3006YB	PJ-3006YC	PJ-3006YD
------------	-----------	-----------	-----------	-----------

PJ-3006Y

PJ-3006G	PJ-3006G-1	PJ-3006G-2	PJ-3006G-3
PJ-3006R	PJ-3006R-1	PJ-3006R-2	PJ-3006R-3

PJ-3006G

Module No.	PJ-3006ZA	PJ-3006ZB	PJ-3006ZC	PJ-3006ZD
------------	-----------	-----------	-----------	-----------

PJ-3006Z









**PJ-3017X**

Technical drawings include: 3D view, front view (12x10mm), side view (19mm length), and P.C.B Layout (copper-sided view) with dimensions 5-(1.5x0.8) and 2-φ1.5. Schematic diagrams for models PJ-3017X-A, B, C, and D are provided.

**PJ-3018A**

Technical drawings include: 3D view, front view (8.2x5mm), side view (13mm length), and PCB LAYOUT TOP VIEW with dimensions 10.5, 4.5, 7.5, and 6-φ1.5.

**PJ-3017XK**

Technical drawings include: 3D view, front view (12x10mm), side view (21mm length), and P.C.B Layout (copper-sided view) with dimensions 5-(1.5x0.8) and 6-φ1. Schematic diagrams for models PJ-3017XK-A, B, C, and D are provided.

**PJ-30190**

Technical drawings include: 3D view, front view (8.5x5mm), side view (13mm length), and PCB LAYOUT TOP VIEW with dimensions 12.3, 3.8, 2-φ1.6, 7.5, 11.3, and 3-(1.5x0.8).

**PJ-3017W**

Technical drawings include: 3D view, front view (12x10mm), side view (11.5mm length), and P.C.B Layout (copper-sided view) with dimensions 5-(1.5x0.8) and 2-φ1.5. Schematic diagrams for models PJ-3017W-A, B, C, D, and E are provided.

**PJ-3019A**

Technical drawings include: 3D view, front view (8.5x5mm), side view (13mm length), and PCB LAYOUT TOP VIEW with dimensions 12.4, 4.1, 2-φ1.8, 7.5, 11.3, and 3-(1.5x0.6).

**PJ-3017N**

Technical drawings include: 3D view, front view (12x10mm), side view (11.5mm length), and P.C.B Layout (copper-sided view) with dimensions 5-(1.5x0.8) and 2-φ1.5. Schematic diagrams for models PJ-3017N-A, B, C, and D are provided.

**PJ-3019B**

Technical drawings include: 3D view, front view (8.5x5mm), side view (13mm length), and PCB LAYOUT TOP VIEW with dimensions 12.4, 4.1, 2-φ1.8, 7.5, 11.3, and 3-(1.5x0.6).

**PJ-3017Z**

Technical drawings include: 3D view, front view (12x10mm), side view (11.5mm length), and P.C.B Layout (copper-side view) with dimensions 5-(1.5x0.8) and 2-φ1.5. Schematic diagrams for models PJ-3017Z-A, B, C, and D are provided.

**PJ-30200/3020S**

Technical drawings include: 3D view, front view (8x5mm), side view (14mm length), and PCB LAYOUT TOP VIEW with dimensions 8.1, 4.1, 2-φ1.2, 2.1, 9.1, and 3-(1.2x0.6). Schematics for x=φ5 (PJ-320) and x=φ5.6 (PJ-320F) are provided.

**PJ-3017T**

Technical drawings include: 3D view, front view (13x10mm), side view (11.9mm length), and PCB LAYOUT TOP VIEW with dimensions 8.0, 5.5, 3.0, 5-(1.5x0.8), 5.0, 10.0, 12.6, 2-φ1.3, and 3-φ1.6. Schematic diagrams for models PJ-317T, PJ-317T1, PJ-317T2, PJ-317T3, and PJ-317T4 are provided.

**PJ-3020F**

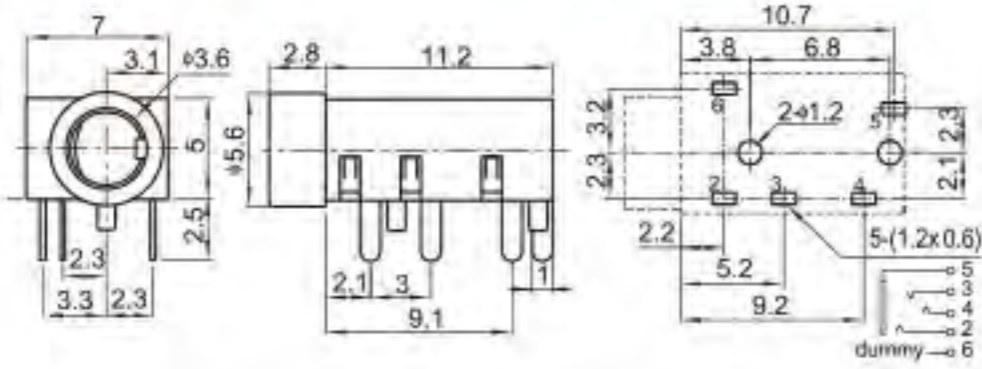
Technical drawings include: 3D view, front view (8x5mm), side view (14mm length), and PCB LAYOUT TOP VIEW with dimensions 8.1, 4.1, 2-φ1.2, 2.1, 9.1, and 3-(1.2x0.6). Schematics for x=φ5 (PJ-320) and x=φ5.6 (PJ-320F) are provided.

**PJ-30180**

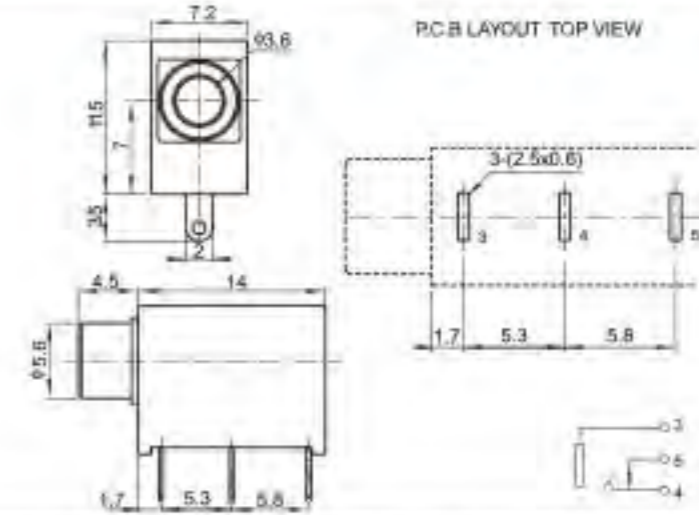
Technical drawings include: 3D view, front view (8.2x5mm), side view (13mm length), and PCB LAYOUT TOP VIEW with dimensions 10.5, 4.5, 7.5, 10.5, 7.5, and 5-φ1.5. Schematic diagrams for models PJ-318 and PJ-318-1 are provided.

**PJ-3020A**

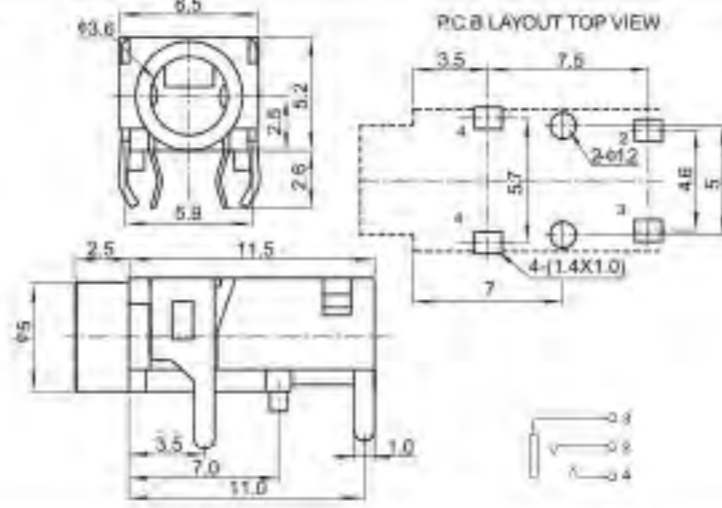
Technical drawings include: 3D view, front view (8.1x5mm), side view (12.1mm length), and PCB LAYOUT TOP VIEW with dimensions 6.1, 3.2, 3, 4, 4-(1.2x0.6), 4.8, 2-φ1.5, 7, 11.3, 3.2, 3, 10.2, and 1.1. Schematic diagrams for models PJ-320 and PJ-320F are provided.



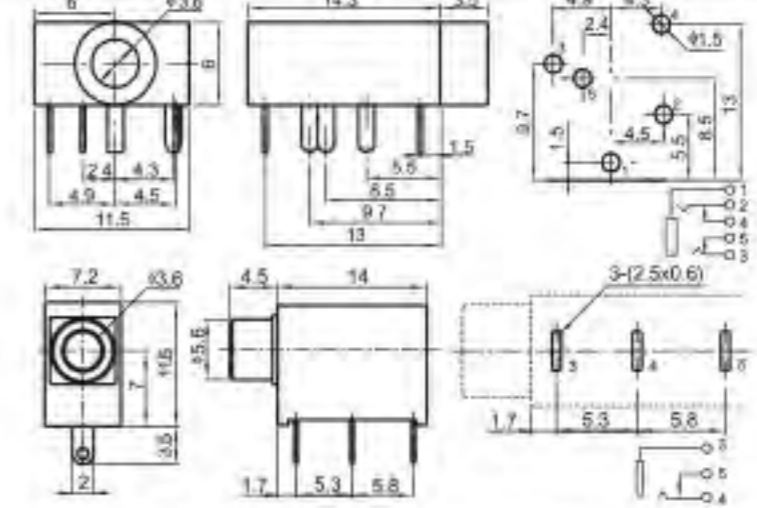
PJ-3020E



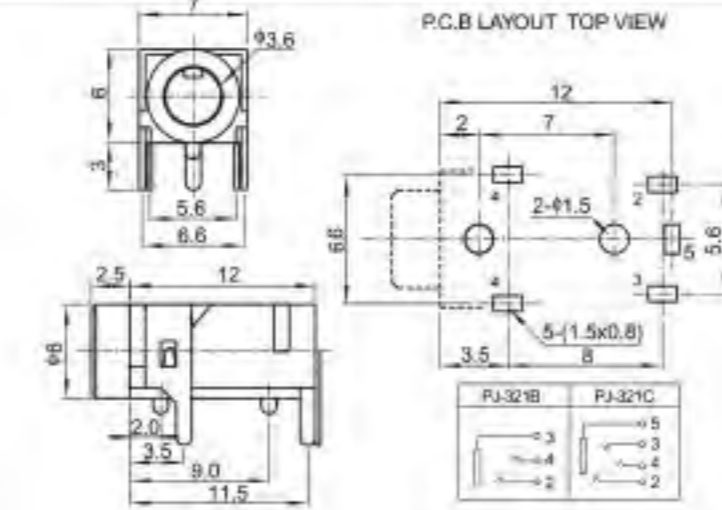
PJ-3023M



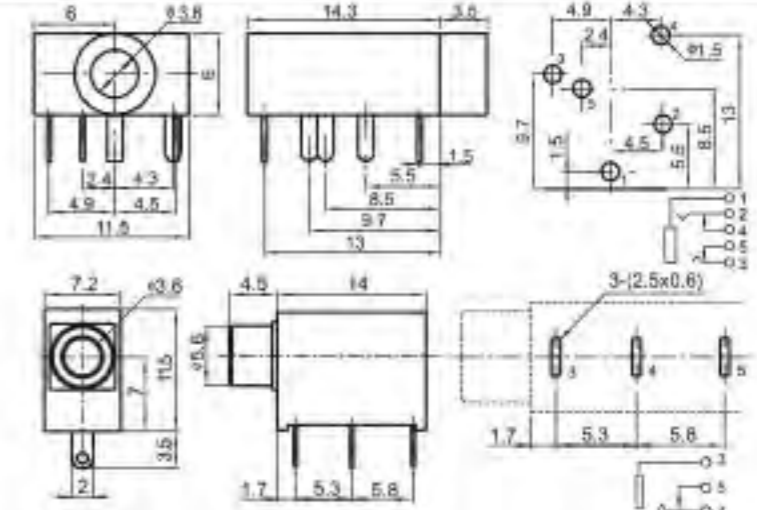
PJ-30210



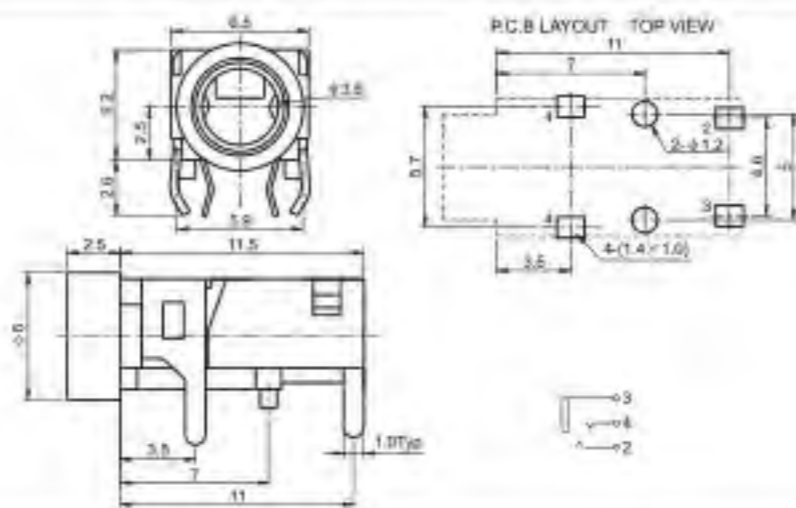
PJ-30240



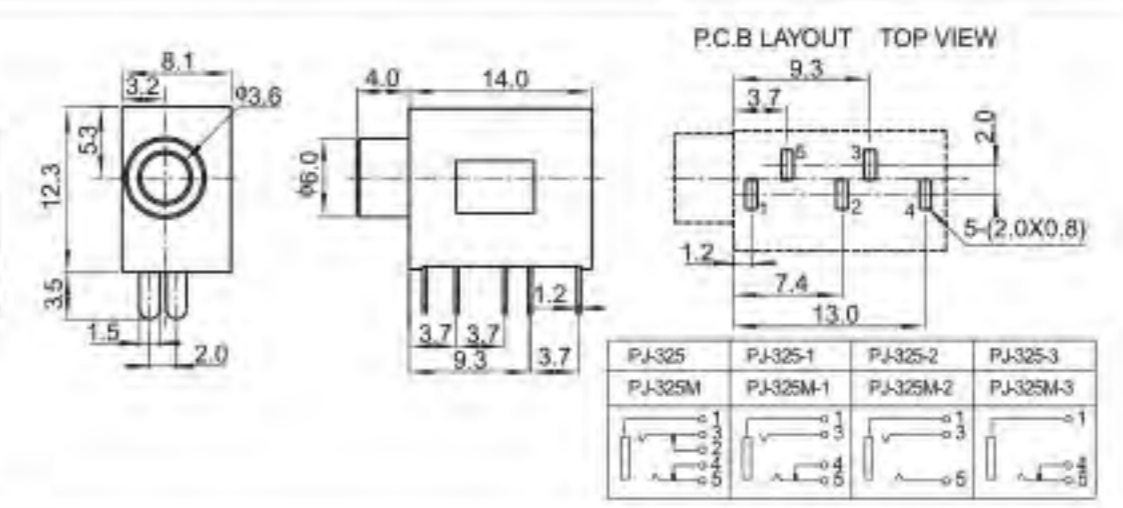
PJ-3021B



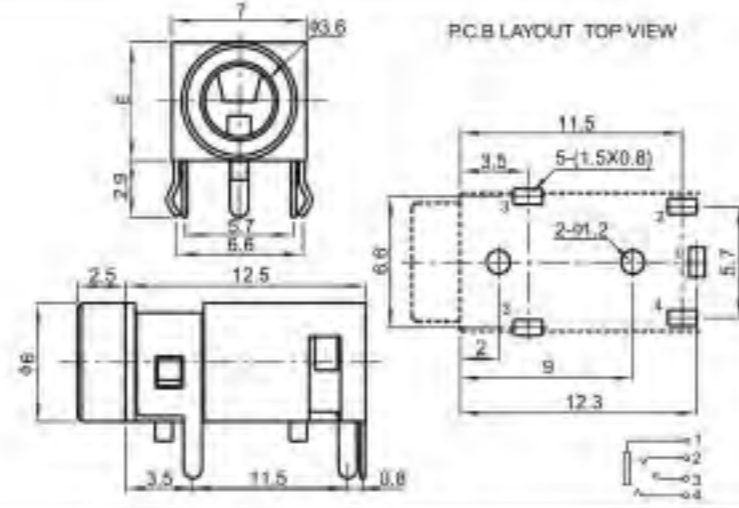
PJ-3024M



PJ-3021D

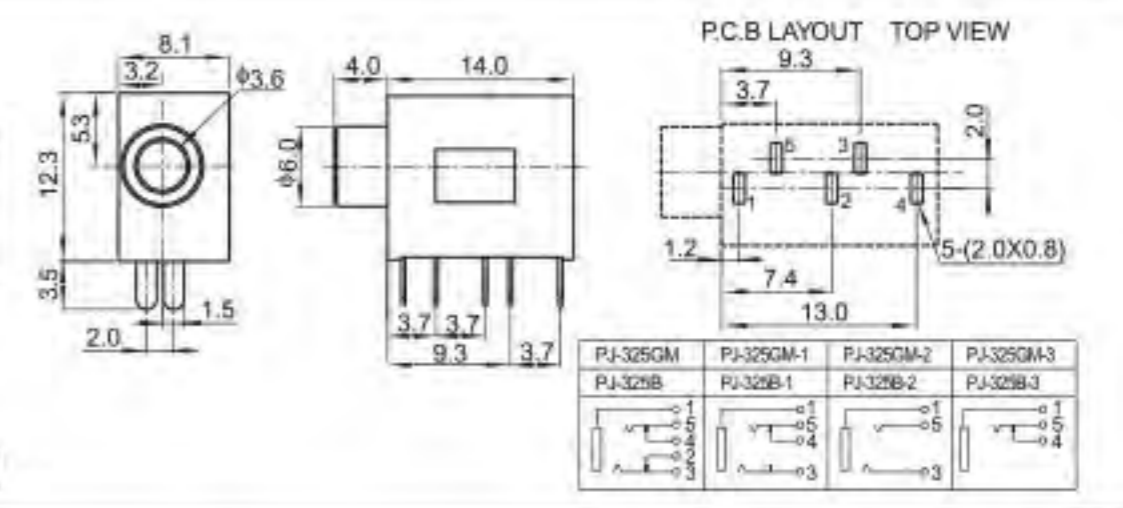


PJ-30250

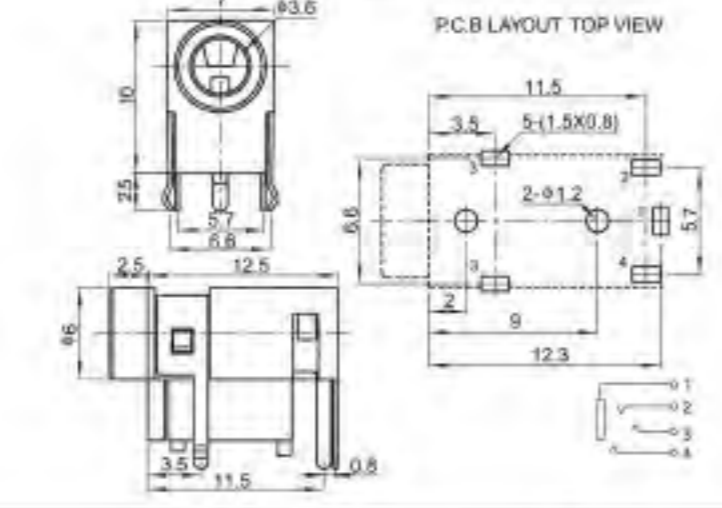


PJ-30220

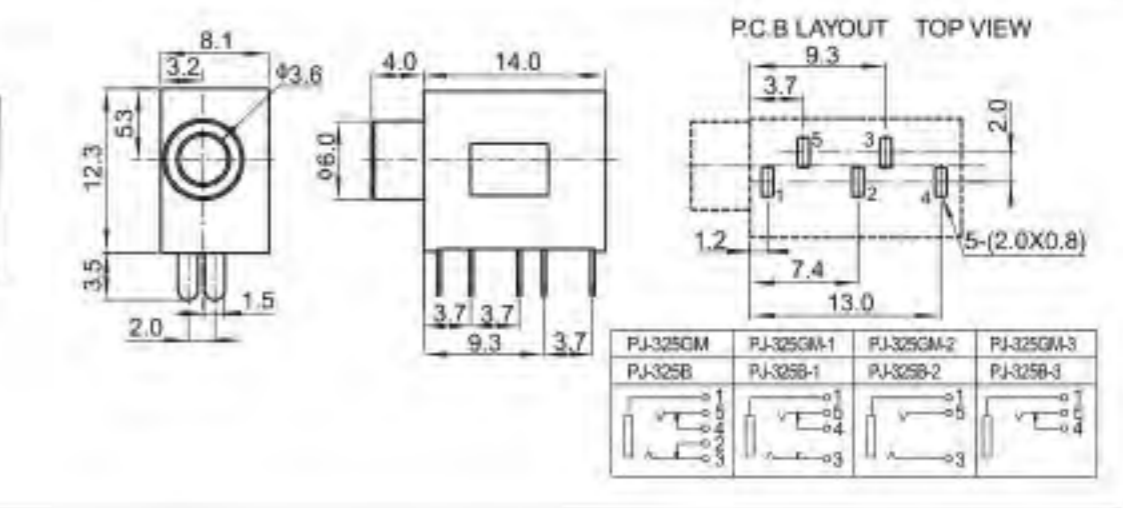
PJ-3022B



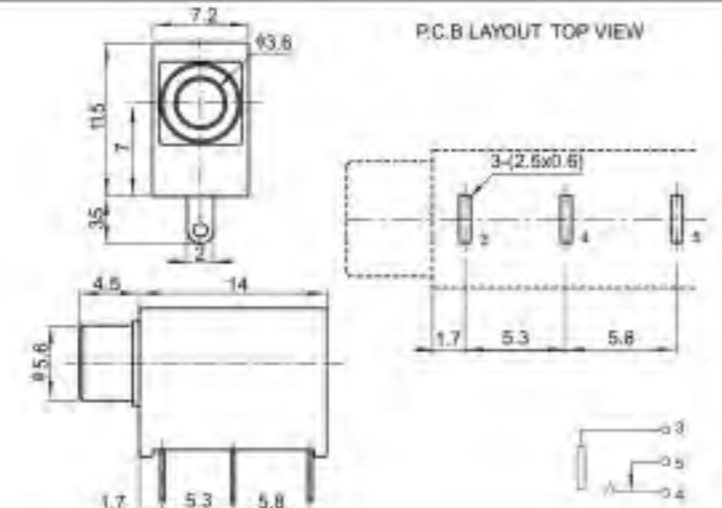
PJ-3025GM



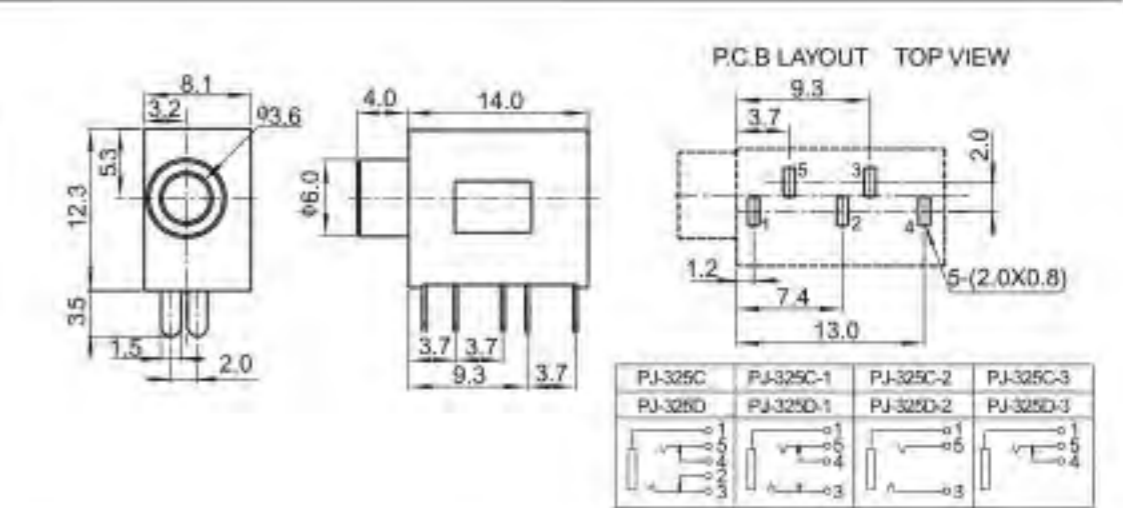
PJ-3022A



PJ-3025B



-PJ-30230



PJ-3025C



**PJ-3033T**

Technical drawings include:
 

- Top view:  $\phi 3.6 \pm 0.1$ ,  $8.5 \pm 0.2$ ,  $12.5 \pm 0.2$ ,  $27.5 \pm 0.2$
- Side view:  $12.5 \pm 0.2$ ,  $3.5$ ,  $12.5 \pm 0.2$
- Schematic: Shows internal wiring connections.

**PJ-30360**

Technical drawings include:
 

- PC.B LAYOUT TOP VIEW:  $7$ ,  $3.5$ ,  $4.3$ ,  $6-(1.5 \times 0.8)$ ,  $0.18$ ,  $10$ ,  $3.5$ ,  $8.7$ ,  $9$ ,  $2.5 \times 1.0$ ,  $2-(2.0 \times 1.0)$ ,  $7.5$ ,  $5$
- Side view:  $11.5$ ,  $8$ ,  $\phi 3.6$ ,  $3.5$ ,  $16.5$ ,  $6$ ,  $5$ ,  $5$ ,  $9$ ,  $7$ ,  $10.5$ ,  $12.5$ ,  $2.3$

**PJ-30340**

Technical drawings include:
 

- PC.B LAYOUT TOP VIEW:  $16.9$ ,  $\phi 3.6$ ,  $\phi 6.0$ ,  $8.1$ ,  $6.0$ ,  $13.4$ ,  $3.0$ ,  $14.0$ ,  $4.0$ ,  $10.5$ ,  $X$ ,  $10.2$
- Side view:  $15.5$ ,  $11.2$ ,  $9.2$ ,  $6.6$ ,  $2-\phi 1.40$ ,  $1.0 \times 2.5$ ,  $4.0$ ,  $5.0$ ,  $4.0$ ,  $6-(0.8 \times 1.7)$ ,  $0.5 \times 2.0$ ,  $4.0$ ,  $1.0 \times 2.0$ ,  $2.7$ ,  $5.0$ ,  $5.5$

**PJ-3036A**

Technical drawings include:
 

- PC.B LAYOUT TOP VIEW:  $7$ ,  $3.5$ ,  $4.3$ ,  $6-(1.5 \times 0.8)$ ,  $0.18$ ,  $10$ ,  $3.5$ ,  $8.7$ ,  $9$ ,  $2.5 \times 1.0$ ,  $2-(2.0 \times 1.0)$ ,  $7.5$ ,  $5$
- Side view:  $11.5$ ,  $8$ ,  $\phi 3.6$ ,  $3.5$ ,  $16.5$ ,  $6$ ,  $5$ ,  $5$ ,  $9$ ,  $7$ ,  $10.5$ ,  $12.5$ ,  $2.3$

**PJ-3034A**

Technical drawings include:
 

- PC.B LAYOUT TOP VIEW:  $16.9$ ,  $\phi 3.6$ ,  $\phi 6.0$ ,  $8.1$ ,  $6.0$ ,  $13.4$ ,  $3.0$ ,  $14.0$ ,  $4.0$ ,  $10.5$ ,  $X$ ,  $10.2$
- Side view:  $15.5$ ,  $11.2$ ,  $9.2$ ,  $6.6$ ,  $2-\phi 1.40$ ,  $1.0 \times 2.5$ ,  $4.0$ ,  $5.0$ ,  $4.0$ ,  $6-(0.8 \times 1.7)$ ,  $0.5 \times 2.0$ ,  $4.0$ ,  $1.0 \times 2.0$ ,  $2.7$ ,  $5.0$ ,  $5.5$

**PJ-30370**

Technical drawings include:
 

- PC.B LAYOUT TOP VIEW:  $10$ ,  $4.3$ ,  $3.5$ ,  $16$ ,  $1.8$ ,  $1$ ,  $4$ ,  $5$ ,  $4$ ,  $9$ ,  $1$ ,  $2$ ,  $3$ ,  $2$ ,  $6$ ,  $8$ ,  $3$ ,  $1.5$ ,  $1.5$ ,  $0.7$ ,  $8$ ,  $3$ ,  $3.5$ ,  $8.5$ ,  $8.5$ ,  $8.8$
- Side view:  $10$ ,  $4.3$ ,  $3.5$ ,  $16$ ,  $6.7$ ,  $4$ ,  $1.4$ ,  $5.5$ ,  $3$ ,  $9.2$ ,  $12$ ,  $6.3$ ,  $9.8$

**PJ-3034B**

Technical drawings include:
 

- PC.B LAYOUT TOP VIEW:  $13.4$ ,  $3.0$ ,  $14.0$ ,  $4.0$ ,  $11.2$ ,  $9.2$ ,  $6.6$ ,  $2-\phi 1.40$ ,  $1.0 \times 2.5$ ,  $4.0$ ,  $5.0$ ,  $4.0$ ,  $6-(0.8 \times 1.7)$ ,  $0.5 \times 2.0$ ,  $4.0$ ,  $1.0 \times 2.0$ ,  $2.7$ ,  $5.0$ ,  $5.5$
- Side view:  $8.1$ ,  $10.5$ ,  $5.0$ ,  $4.0$ ,  $5.0$ ,  $5.0$ ,  $5.0$

**PJ-30380**

Technical drawings include:
 

- PC.B LAYOUT TOP VIEW:  $8.5$ ,  $4-(2.0 \times 0.8)$ ,  $4-(1.5 \times 0.8)$ ,  $0.2$ ,  $4$ ,  $5$ ,  $4$ ,  $9$ ,  $1.2$ ,  $2$ ,  $6$ ,  $8$ ,  $3$ ,  $1.5$ ,  $1.5$ ,  $0.7$ ,  $8$ ,  $3$ ,  $3.5$ ,  $8.5$ ,  $8.5$ ,  $8.8$
- Side view:  $11$ ,  $\phi 3.6$ ,  $3.5$ ,  $14.5$ ,  $4$ ,  $1.5$ ,  $6.5$ ,  $4.7$ ,  $1.5$ ,  $4$ ,  $8.5$ ,  $3$ ,  $11.8$ ,  $12.3$

**PJ-3034C**

Technical drawings include:
 

- PC.B LAYOUT TOP VIEW:  $13.4$ ,  $3.0$ ,  $14.0$ ,  $4.0$ ,  $11.2$ ,  $9.2$ ,  $6.6$ ,  $2-\phi 1.40$ ,  $1.0 \times 2.5$ ,  $4.0$ ,  $5.0$ ,  $4.0$ ,  $6-(0.8 \times 1.7)$ ,  $0.5 \times 2.0$ ,  $4.0$ ,  $1.0 \times 2.0$ ,  $2.7$ ,  $5.0$ ,  $5.5$
- Side view:  $8.1$ ,  $10.5$ ,  $5.0$ ,  $4.0$ ,  $5.0$ ,  $5.0$ ,  $5.0$

**PJ-30390**

Technical drawings include:
 

- PC.B LAYOUT TOP VIEW:  $8.5$ ,  $4-(2.0 \times 0.8)$ ,  $4-(1.5 \times 0.8)$ ,  $0.2$ ,  $4$ ,  $5$ ,  $4$ ,  $9$ ,  $1.2$ ,  $2$ ,  $6$ ,  $8$ ,  $3$ ,  $1.5$ ,  $1.5$ ,  $0.7$ ,  $8$ ,  $3$ ,  $3.5$ ,  $8.5$ ,  $8.5$ ,  $8.8$
- Side view:  $10$ ,  $\phi 3.6$ ,  $3.5$ ,  $13.5$ ,  $4$ ,  $1.5$ ,  $6.5$ ,  $4.7$ ,  $1.5$ ,  $4$ ,  $8.5$ ,  $3$ ,  $11.8$ ,  $12.3$

**PJ-30350**

Technical drawings include:
 

- PC.B LAYOUT TOP VIEW:  $12.5$ ,  $7.5$ ,  $3.5$ ,  $4-(1.5 \times 0.8)$ ,  $0.18$ ,  $10$ ,  $3.5$ ,  $8.7$ ,  $9$ ,  $2.5 \times 1.0$ ,  $2-(2.0 \times 1.0)$ ,  $7.5$ ,  $5$
- Side view:  $11.9$ ,  $3.2$ ,  $14.3$ ,  $10.8$ ,  $6.5$ ,  $3.5$ ,  $3.5$ ,  $8.7$ ,  $9$ ,  $7.5$ ,  $10.5$ ,  $12.5$

**PJ-30400**

Technical drawings include:
 

- PC.B LAYOUT TOP VIEW:  $12.5$ ,  $7.5$ ,  $3.5$ ,  $4-(1.5 \times 0.8)$ ,  $0.18$ ,  $10$ ,  $3.5$ ,  $8.7$ ,  $9$ ,  $2.5 \times 1.0$ ,  $2-(2.0 \times 1.0)$ ,  $7.5$ ,  $5$
- Side view:  $11.9$ ,  $3.2$ ,  $14.3$ ,  $10.8$ ,  $6.5$ ,  $3.5$ ,  $3.5$ ,  $8.7$ ,  $9$ ,  $7.5$ ,  $10.5$ ,  $12.5$

**PJ-3035B**

Technical drawings include:
 

- PC.B LAYOUT TOP VIEW:  $12.5$ ,  $7.5$ ,  $3.5$ ,  $4-(1.5 \times 0.8)$ ,  $0.18$ ,  $10$ ,  $3.5$ ,  $8.7$ ,  $9$ ,  $2.5 \times 1.0$ ,  $2-(2.0 \times 1.0)$ ,  $7.5$ ,  $5$
- Side view:  $11.9$ ,  $3.2$ ,  $14.3$ ,  $10.8$ ,  $6.5$ ,  $3.5$ ,  $3.5$ ,  $8.7$ ,  $9$ ,  $7.5$ ,  $10.5$ ,  $12.5$

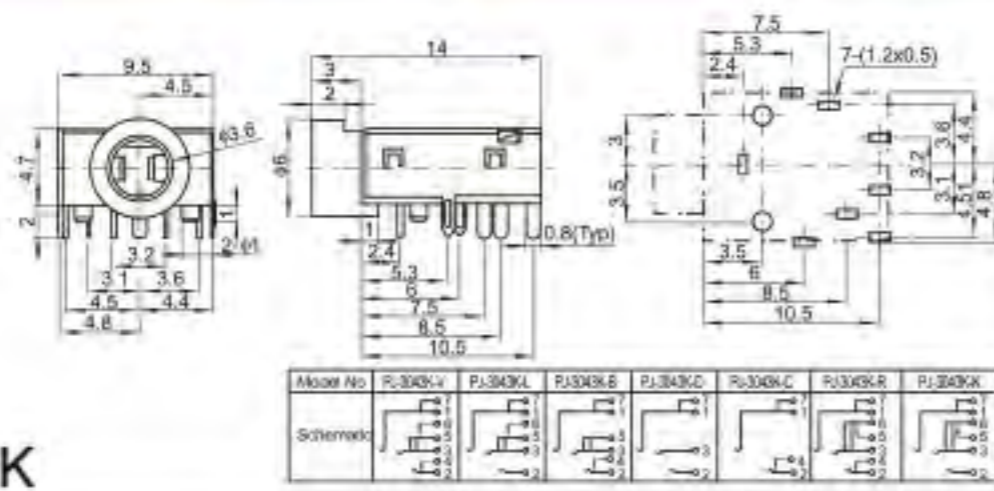
**PJ-3040B**

Technical drawings include:
 

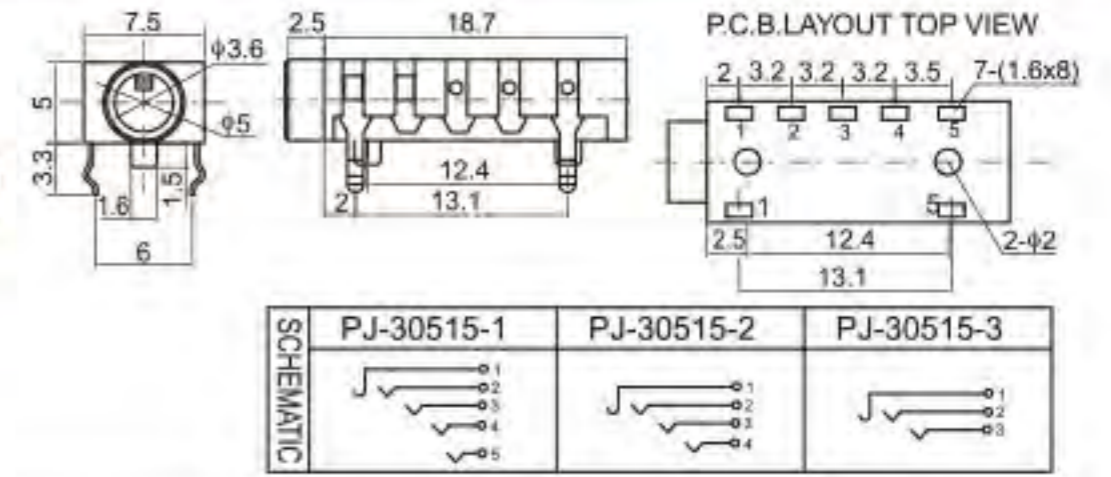
- PC.B LAYOUT TOP VIEW:  $12.5$ ,  $7.5$ ,  $3.5$ ,  $4-(1.5 \times 0.8)$ ,  $0.18$ ,  $10$ ,  $3.5$ ,  $8.7$ ,  $9$ ,  $2.5 \times 1.0$ ,  $2-(2.0 \times 1.0)$ ,  $7.5$ ,  $5$
- Side view:  $11.9$ ,  $3.2$ ,  $14.3$ ,  $10.8$ ,  $6.5$ ,  $3.5$ ,  $3.5$ ,  $8.7$ ,  $9$ ,  $7.5$ ,  $10.5$ ,  $12.5$



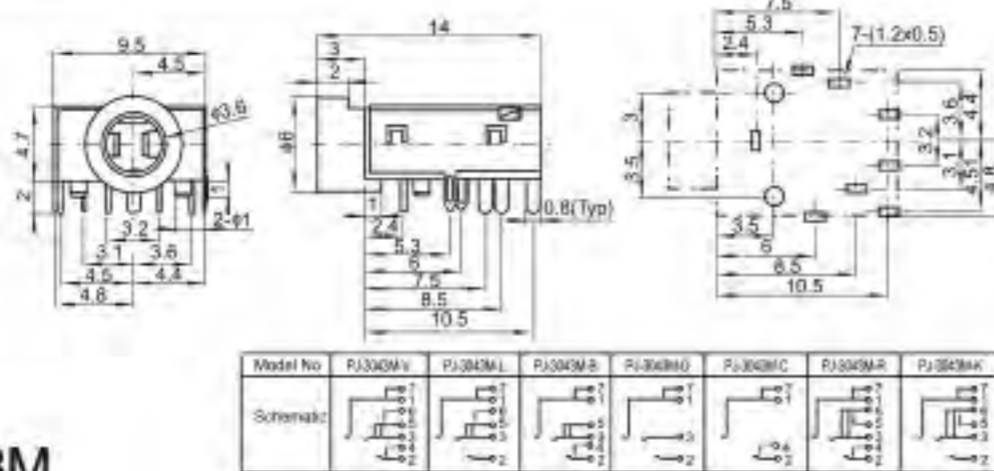




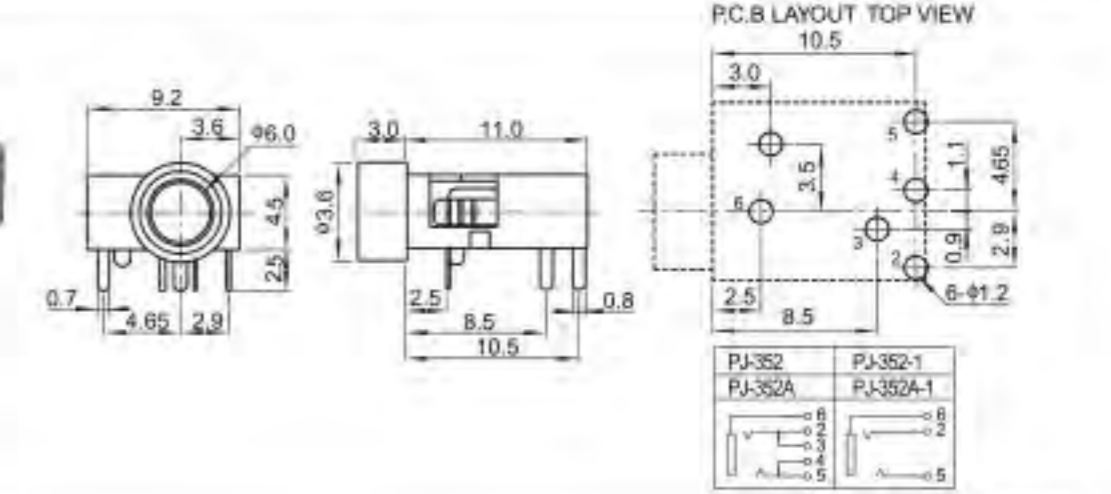
PJ-3043K/3053K



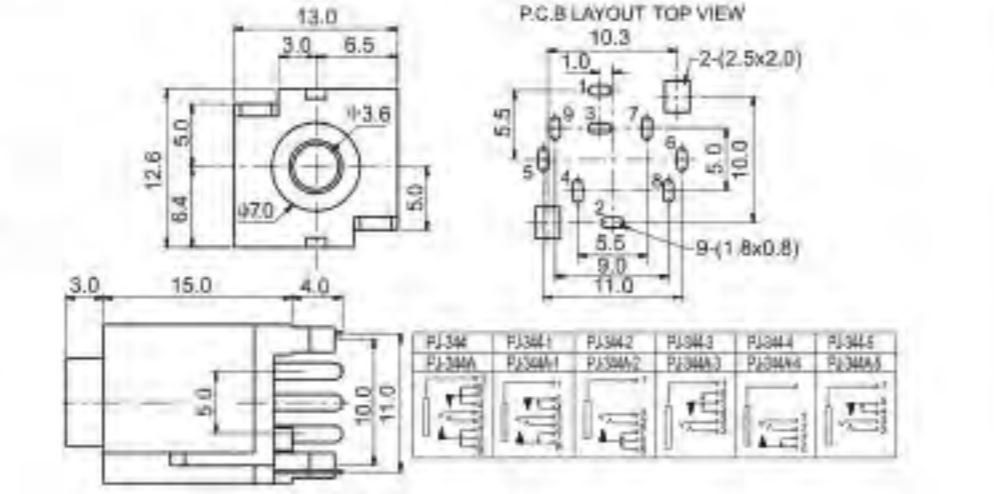
PJ-30515



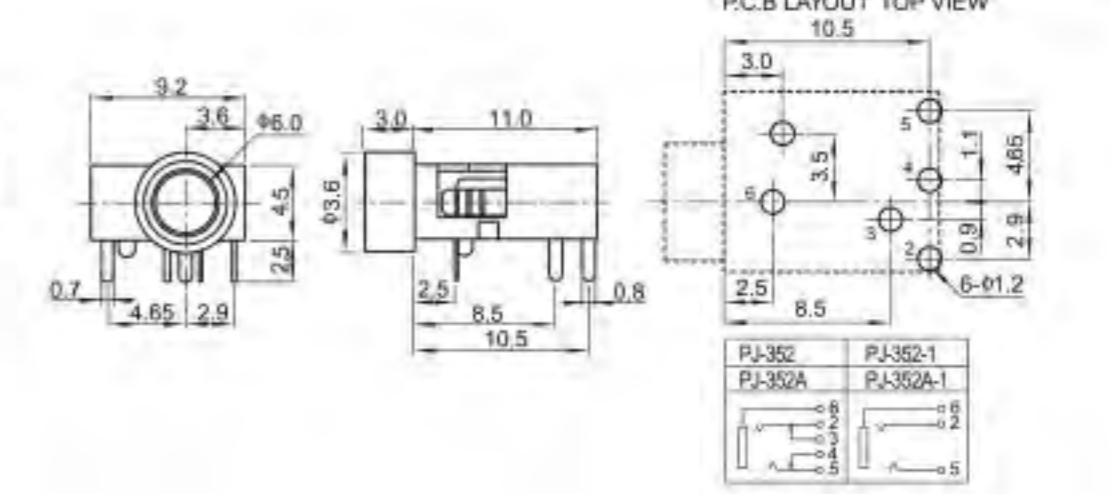
PJ-3043M/3053M



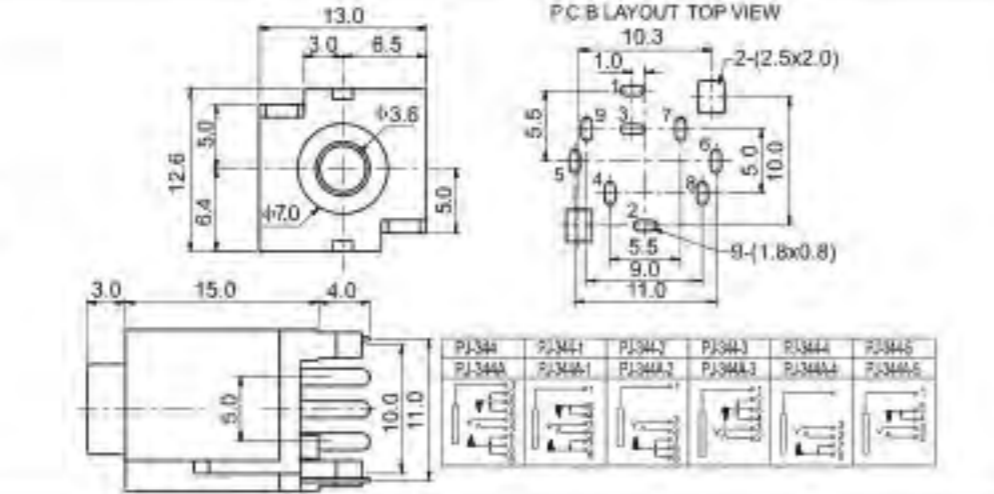
PJ-30520



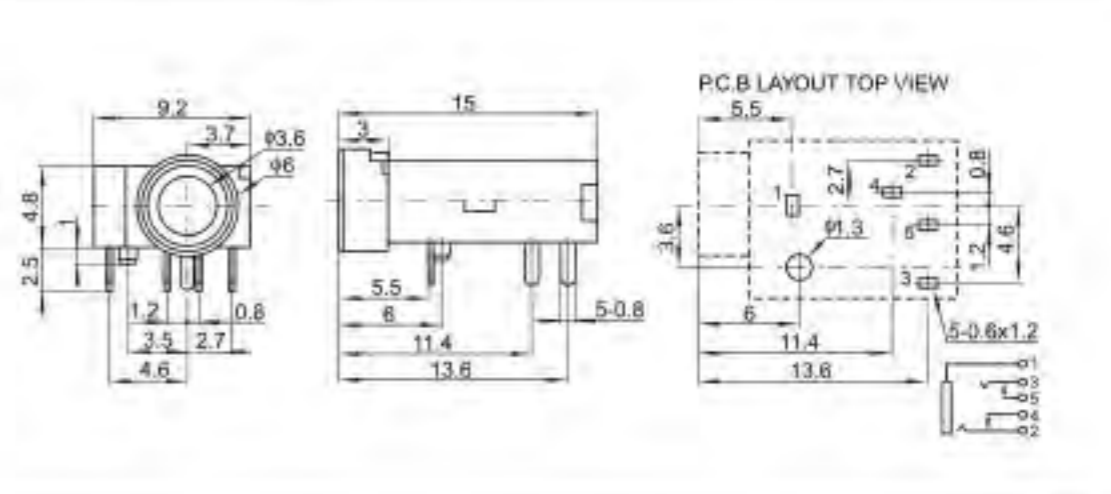
PJ-30440



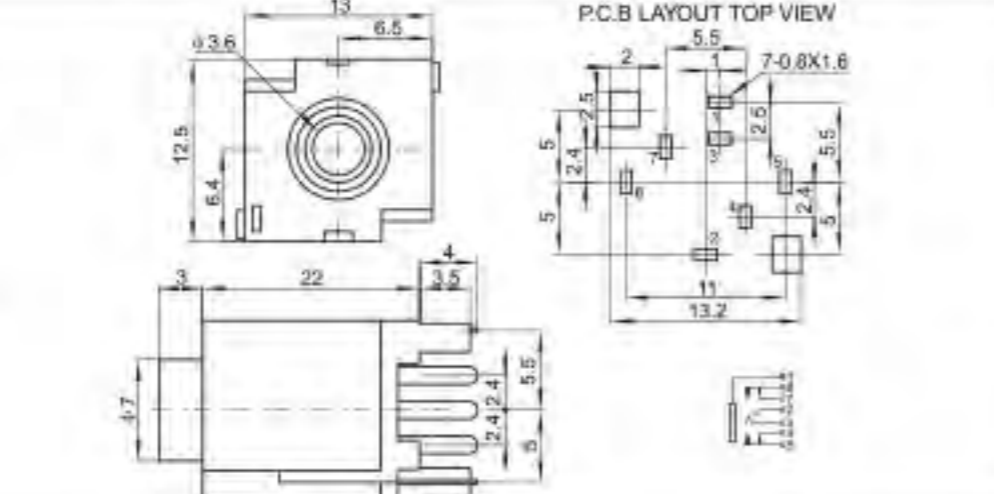
PJ-3052A



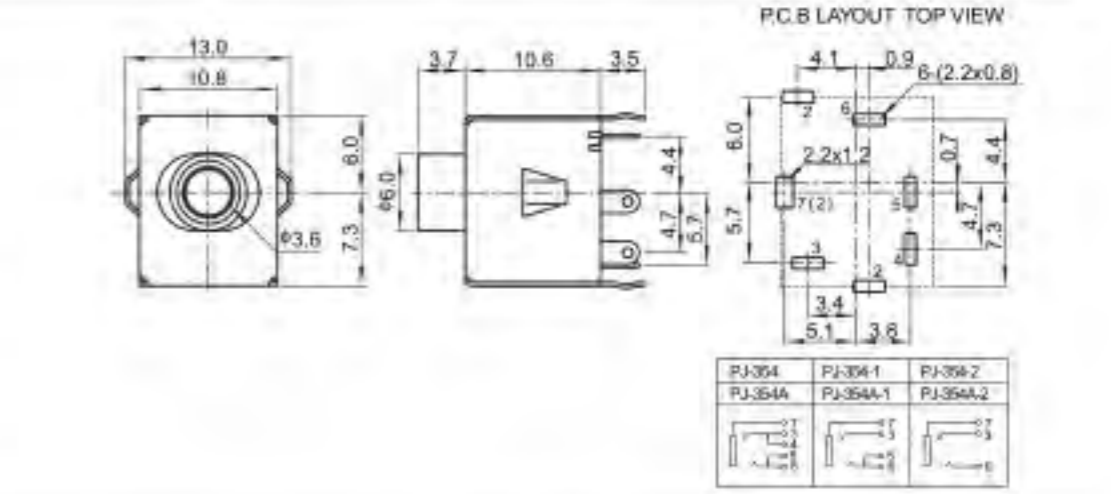
PJ-3044A



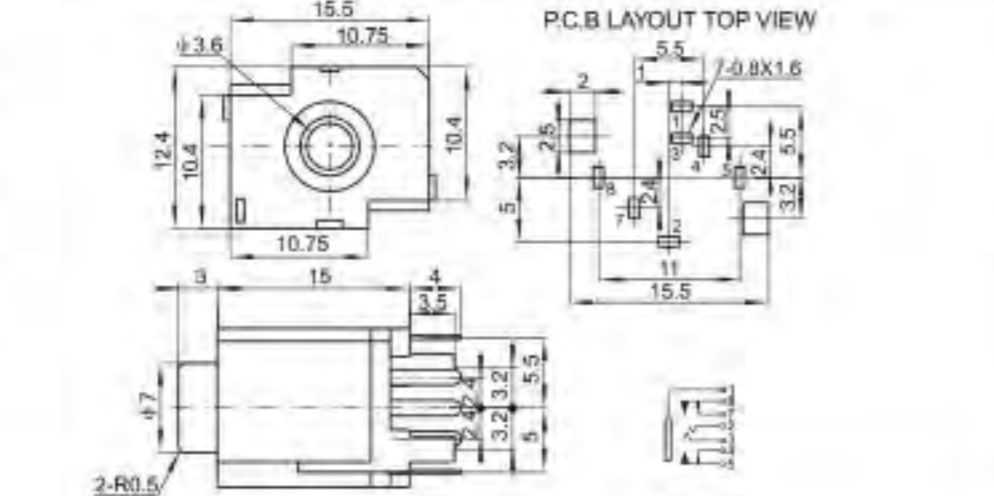
PJ-3052B



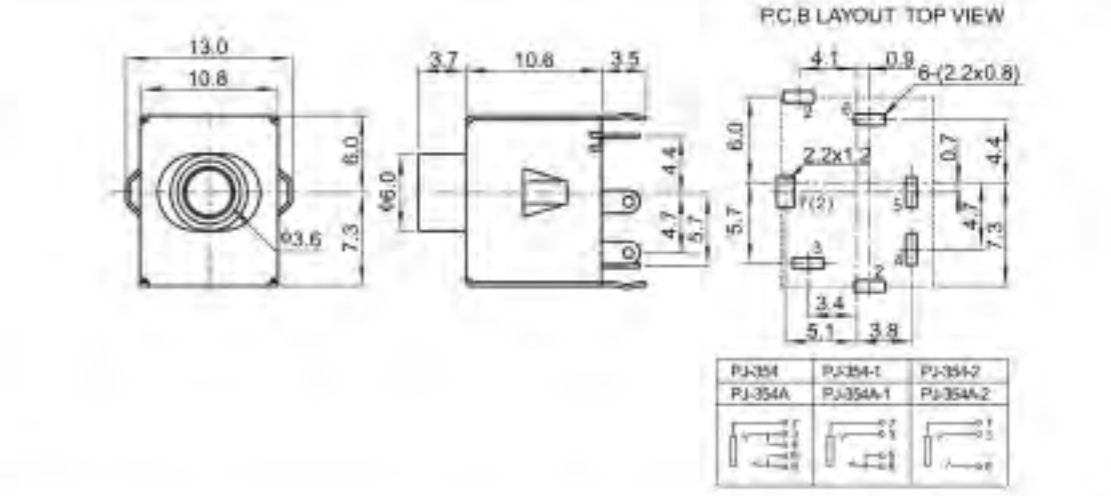
PJ-30450



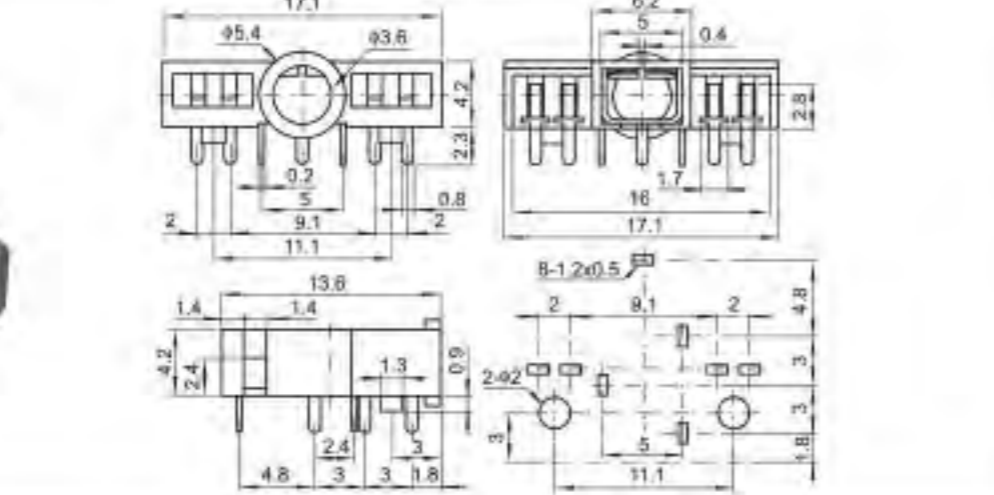
PJ-30540



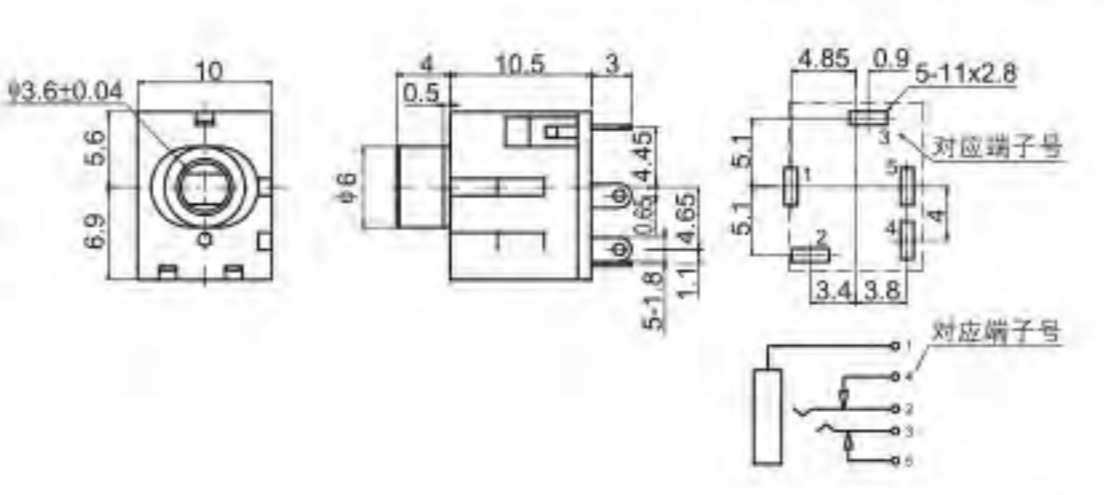
PJ-30460



PJ-3054A



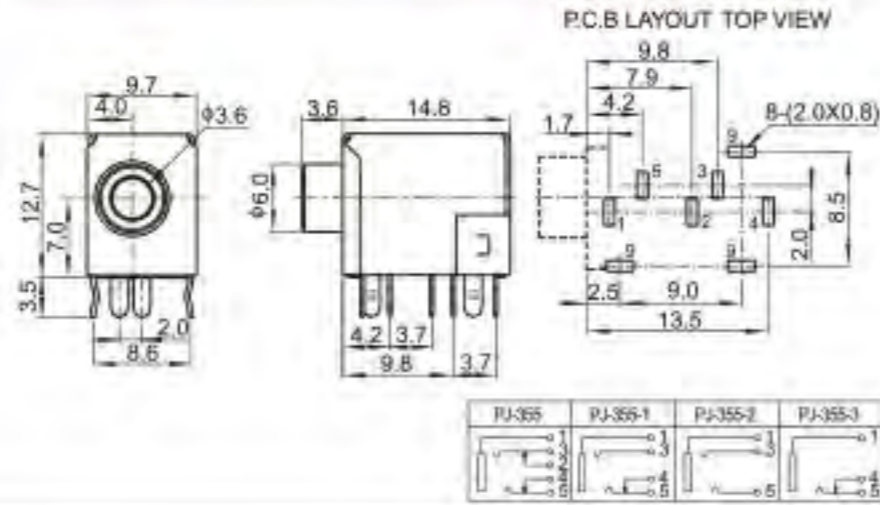
PJ-30510



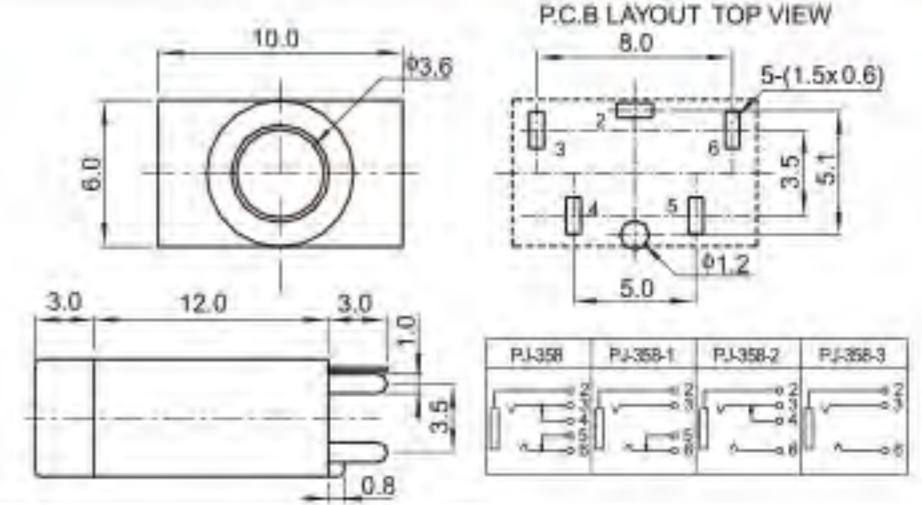
PJ-3054B



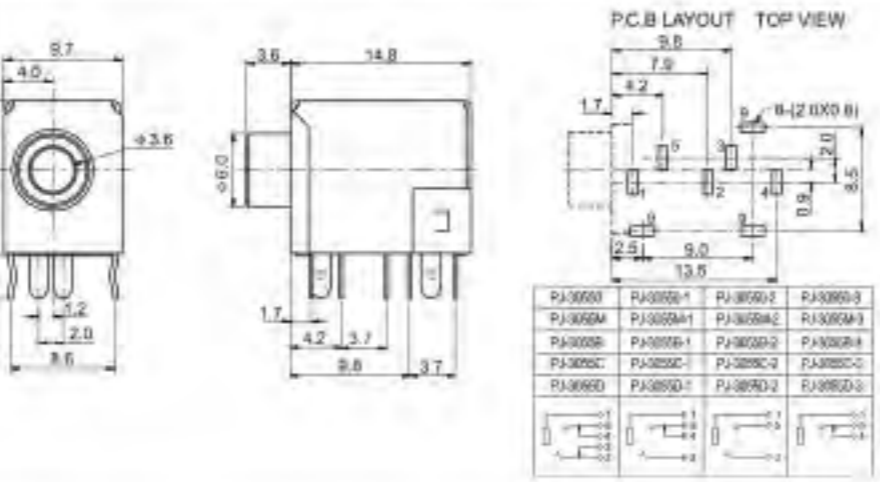
PJ-30550



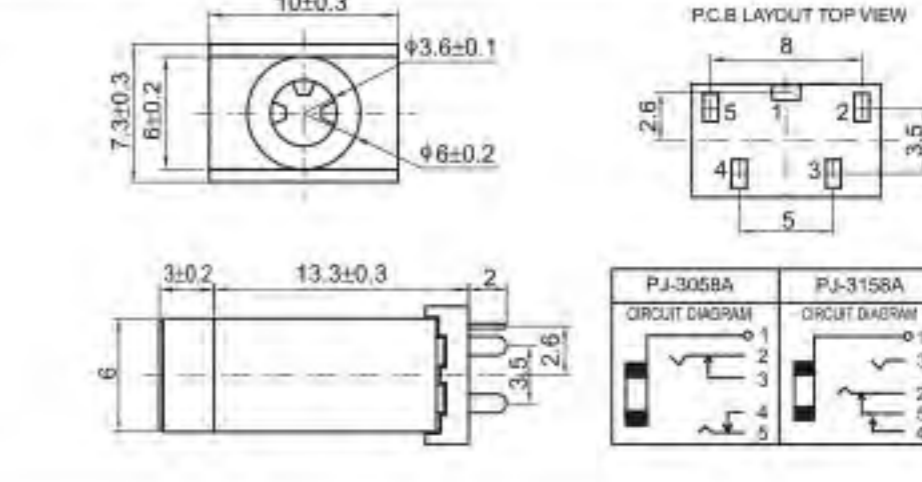
PJ-30580



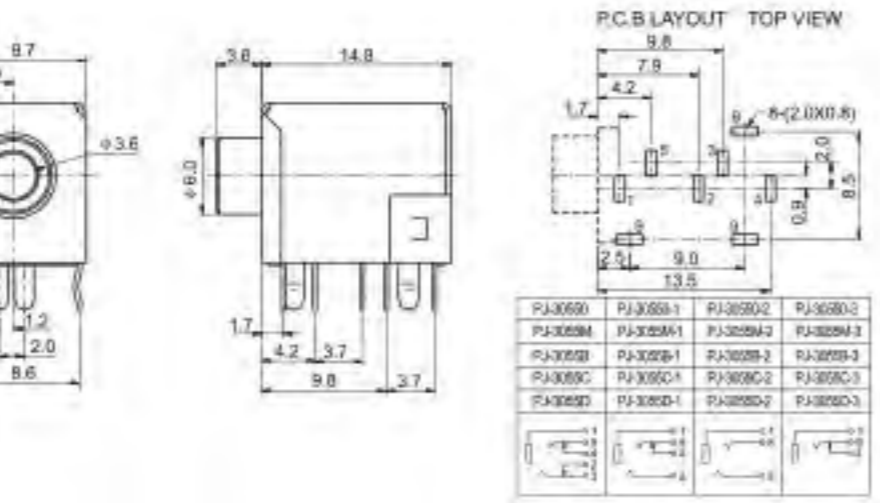
PJ-3055M



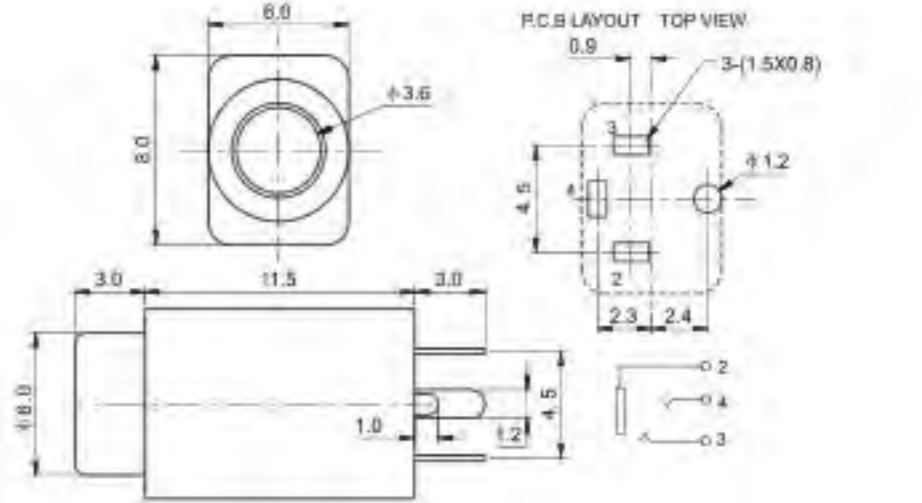
PJ-3058A



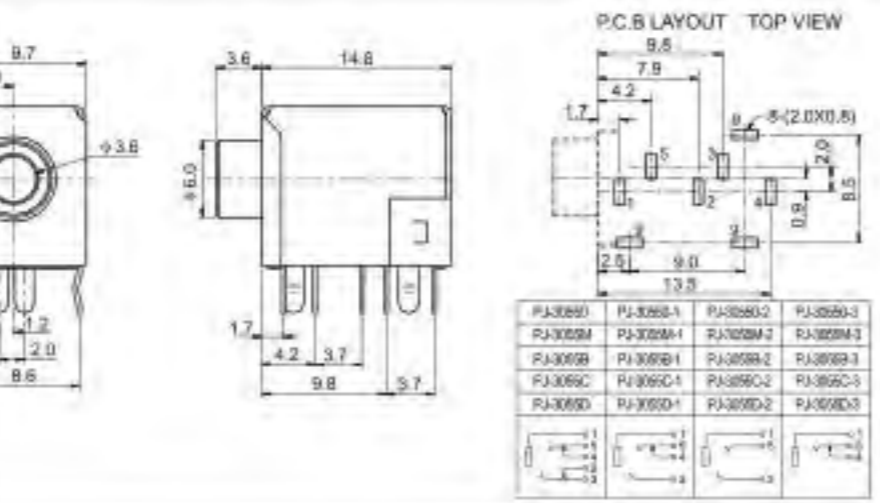
PJ-3055B



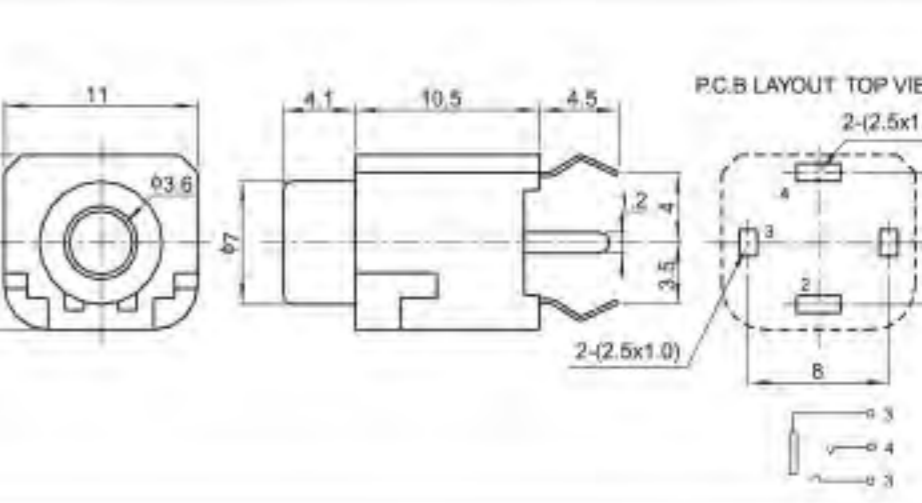
PJ-30590



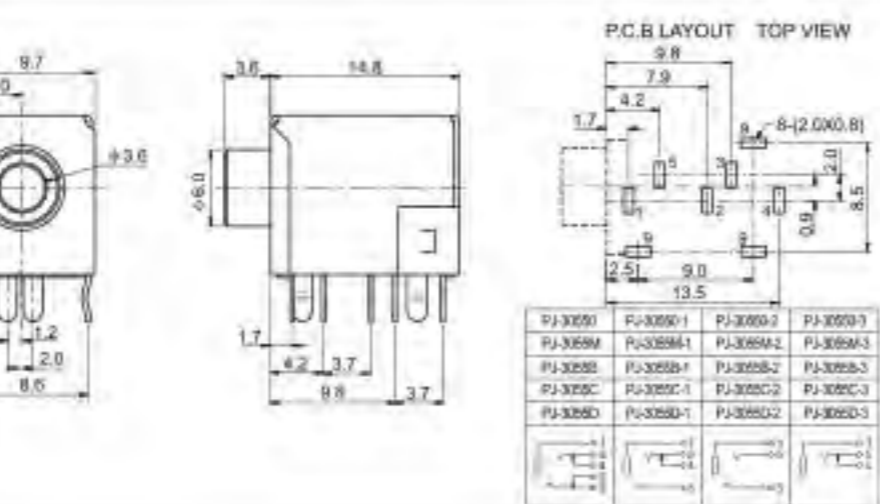
PJ-3055C



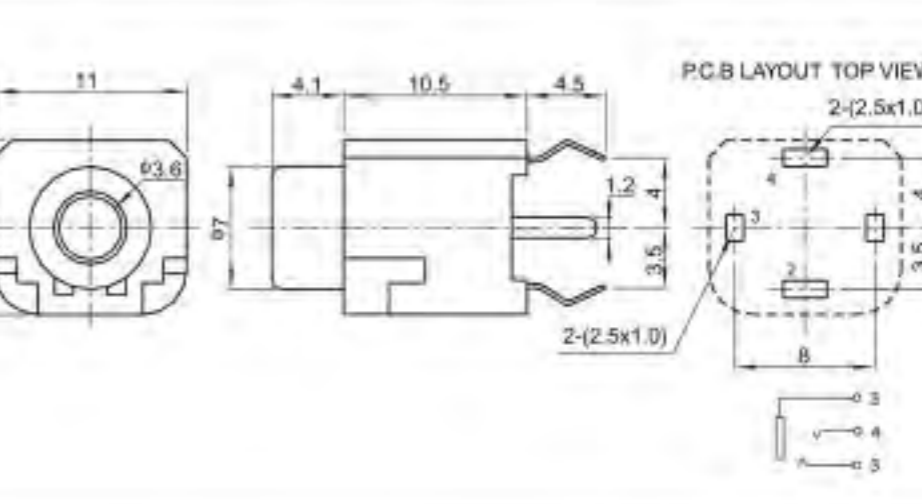
PJ-30600



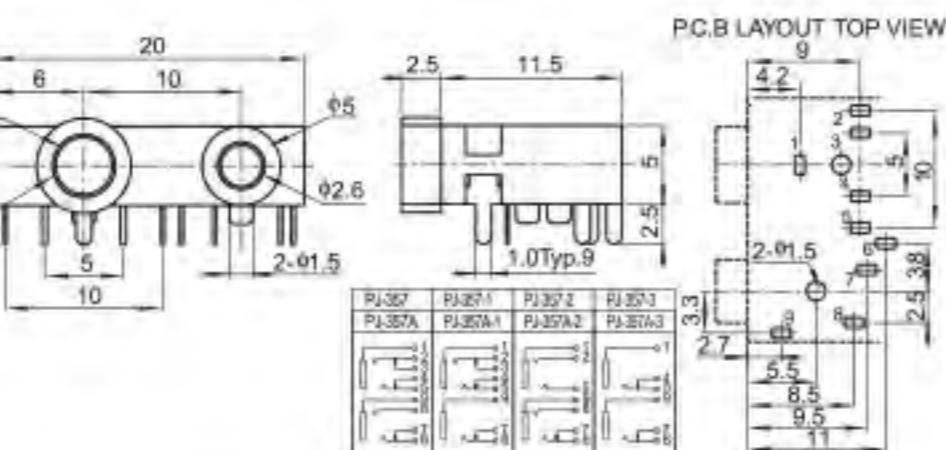
PJ-3055D



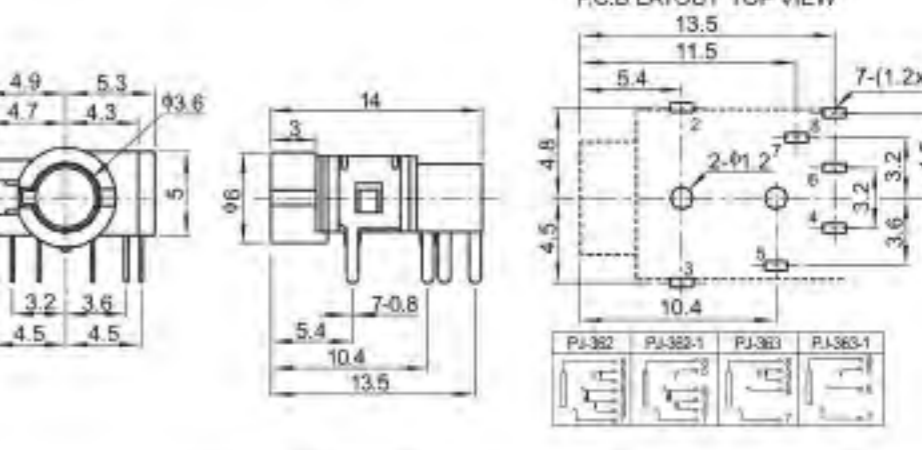
PJ-3060A



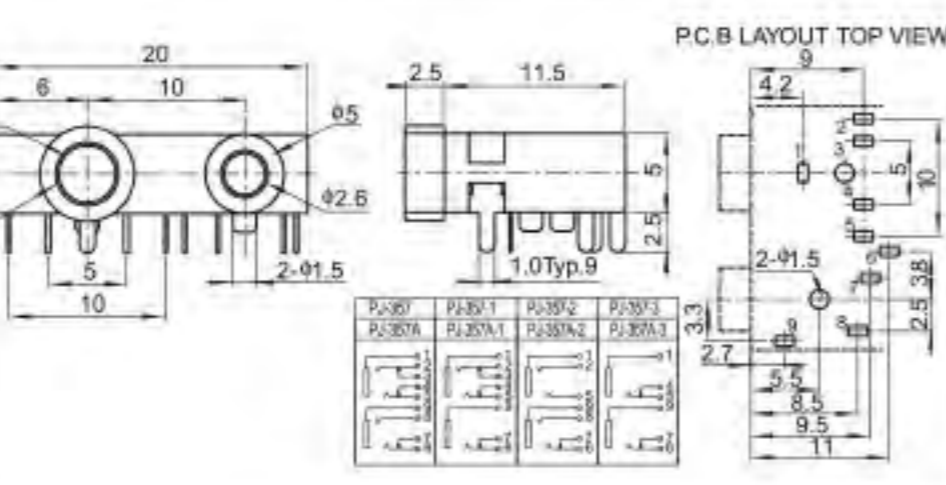
PJ-30570



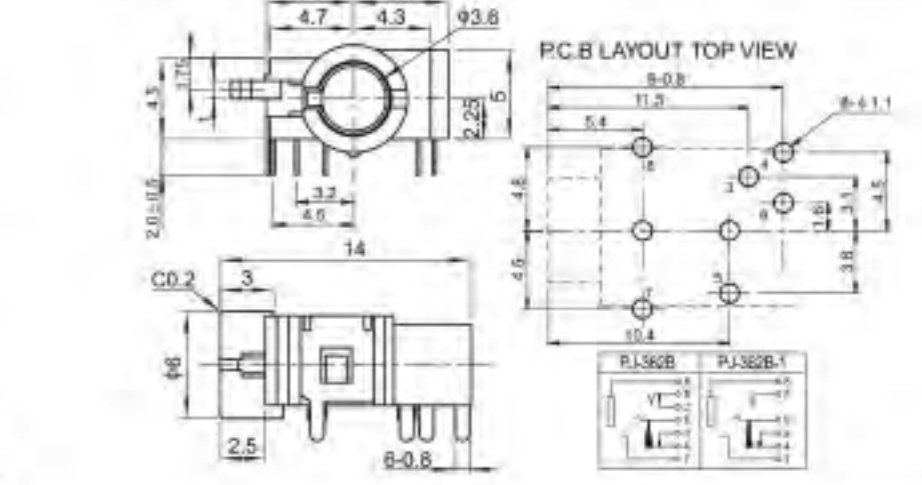
PJ-30620

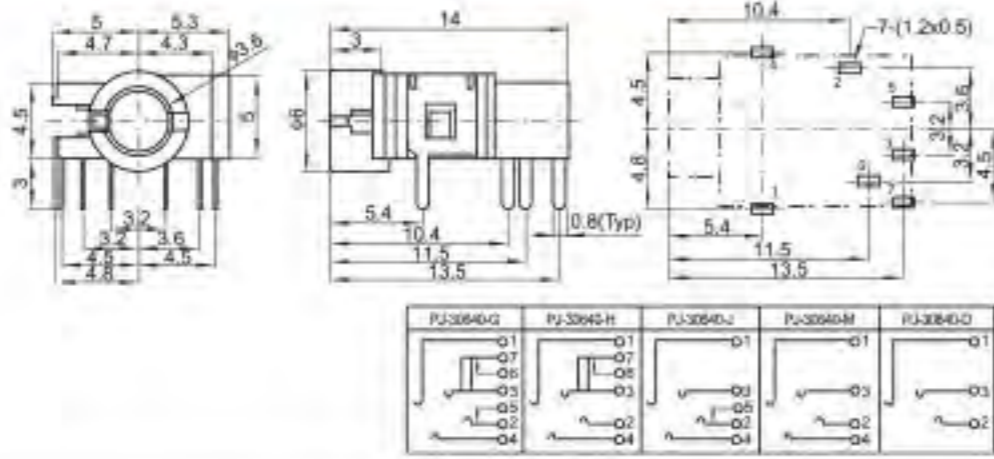


PJ-3057A

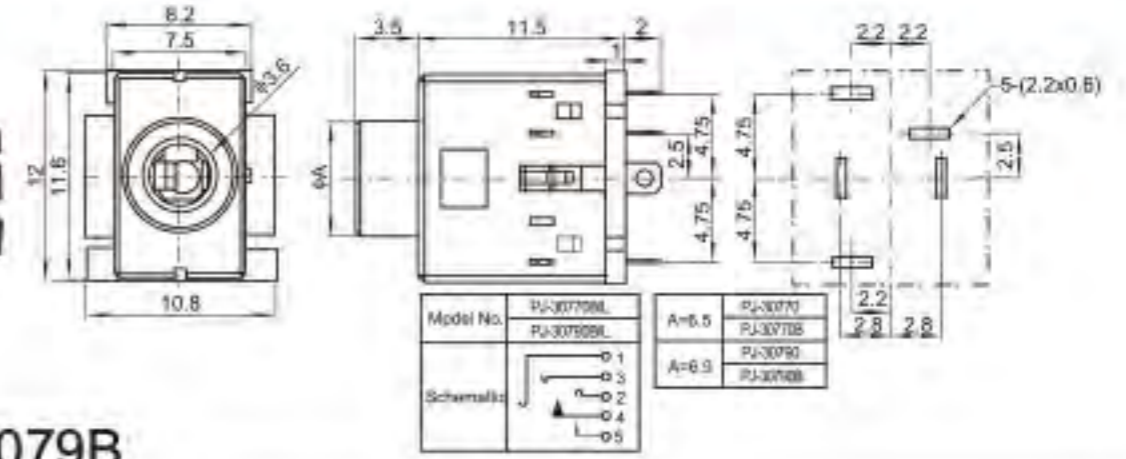


PJ-3062B/3063B

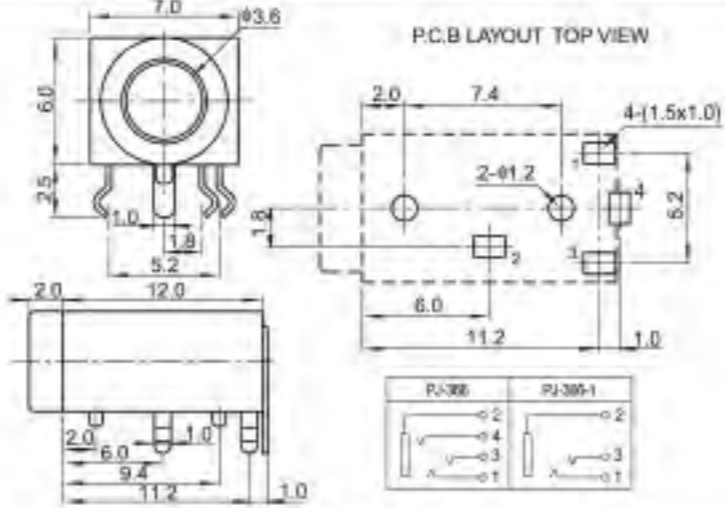




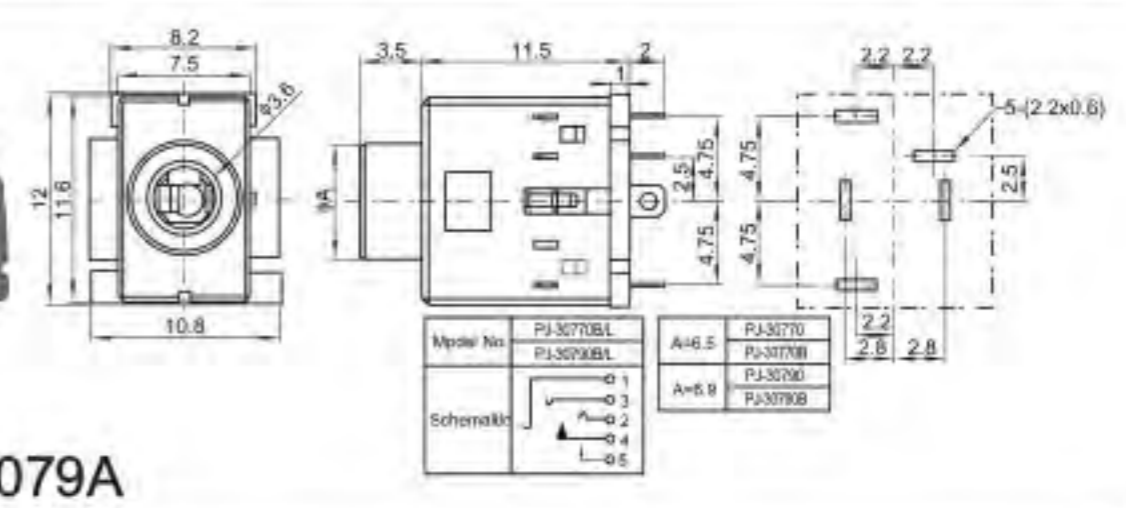
PJ-30640



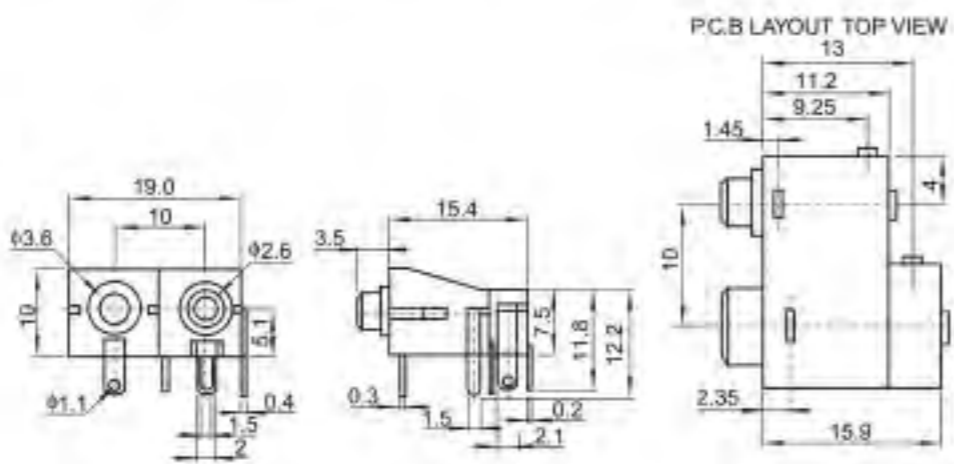
PJ-3077B/3079B



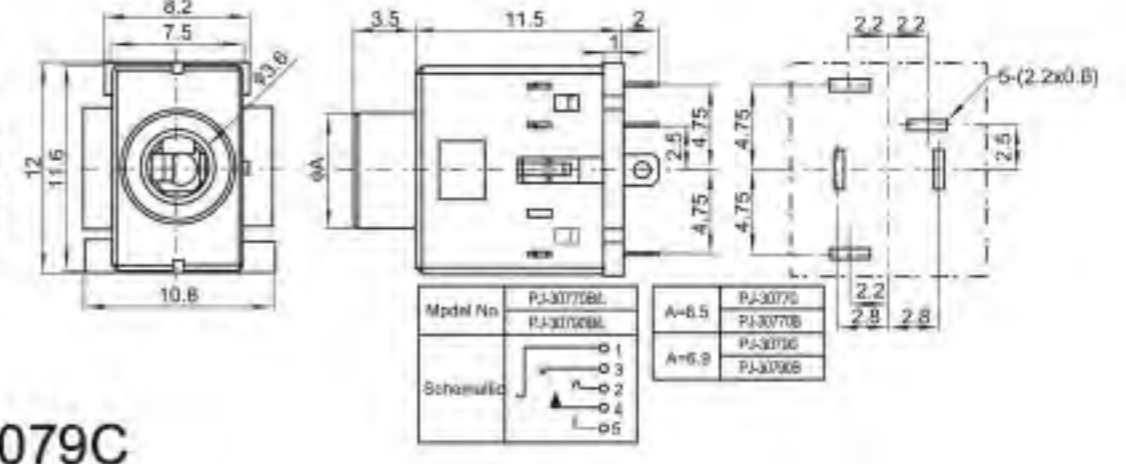
PJ-30660



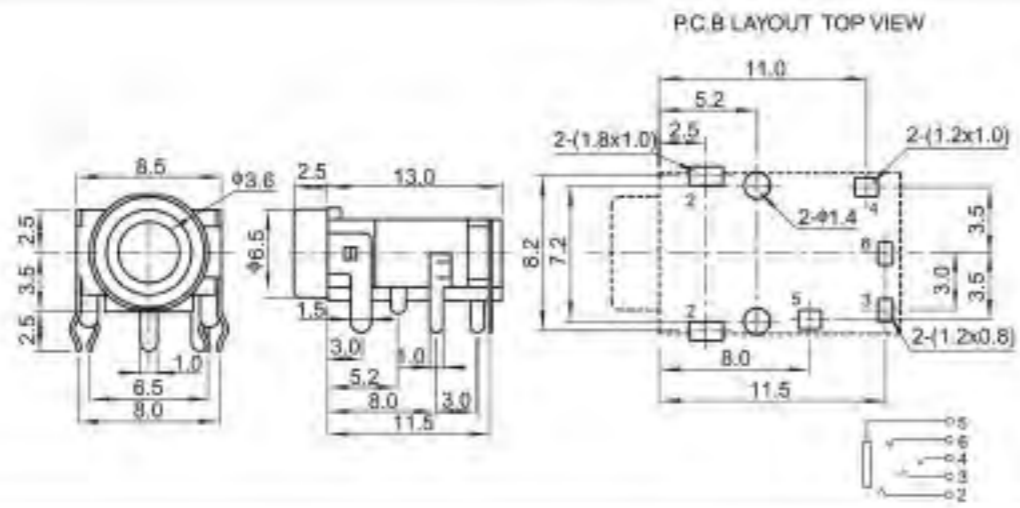
PJ-3077A/3079A



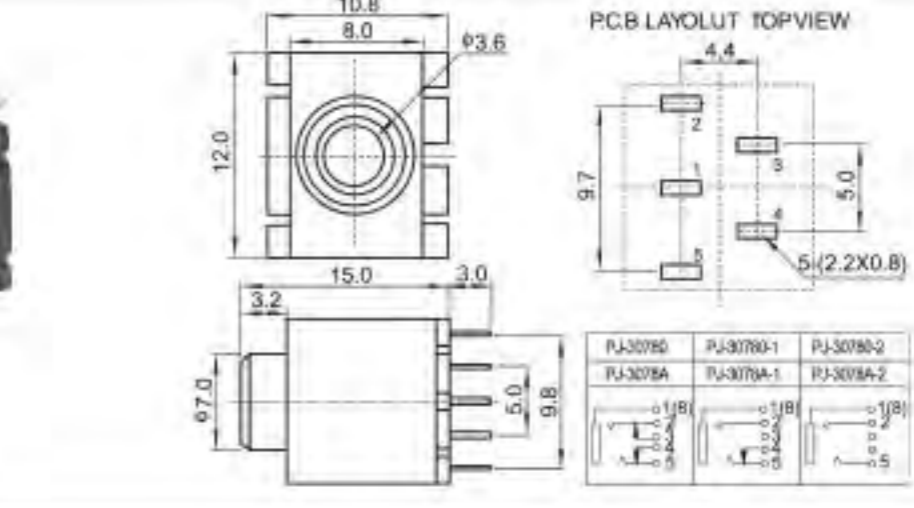
PJ-30700



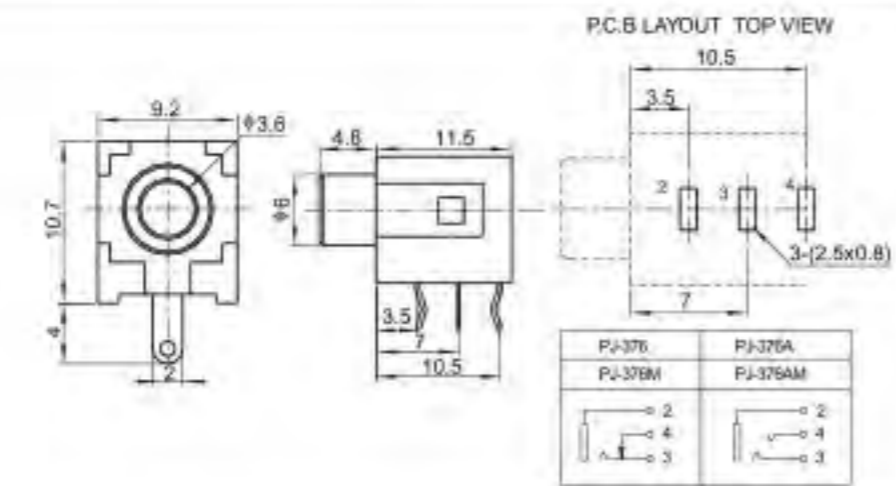
PJ-3077C/3079C



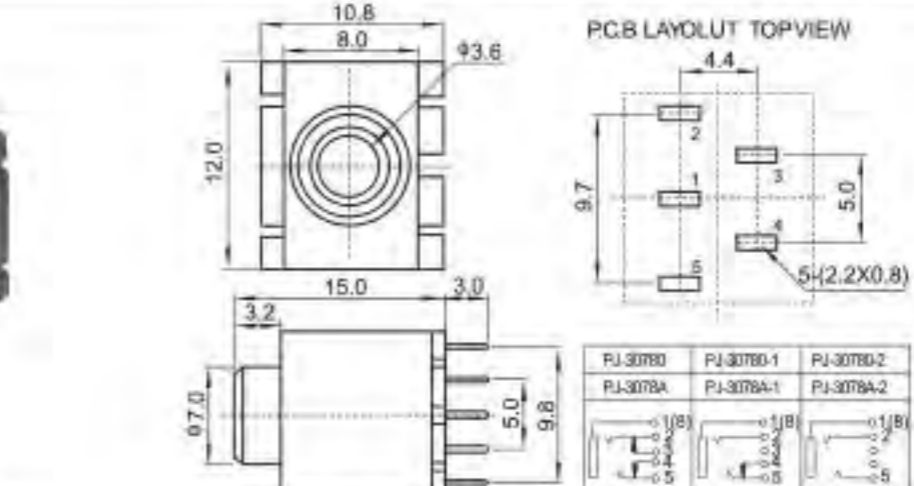
PJ-30720



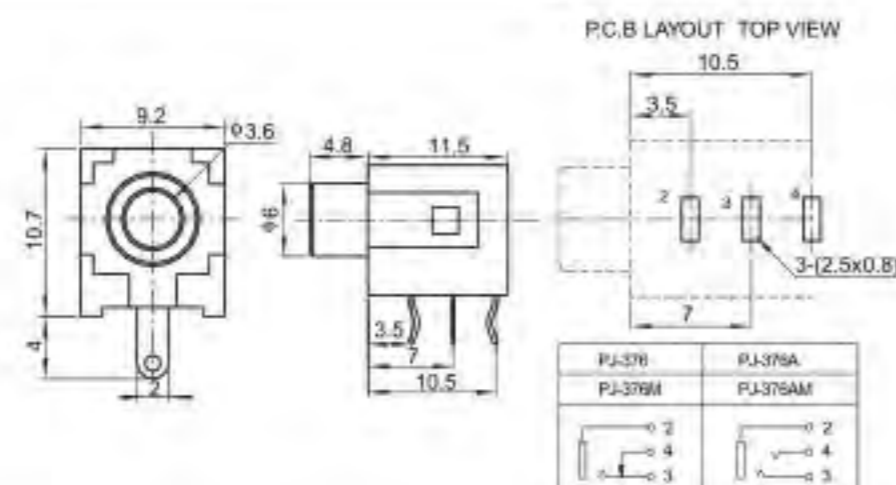
PJ-30780



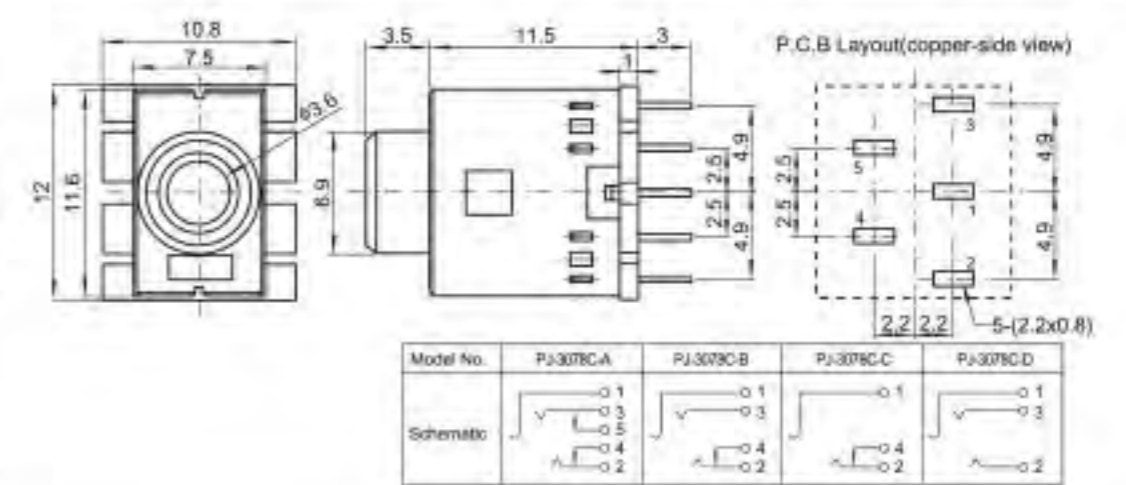
PJ-30760



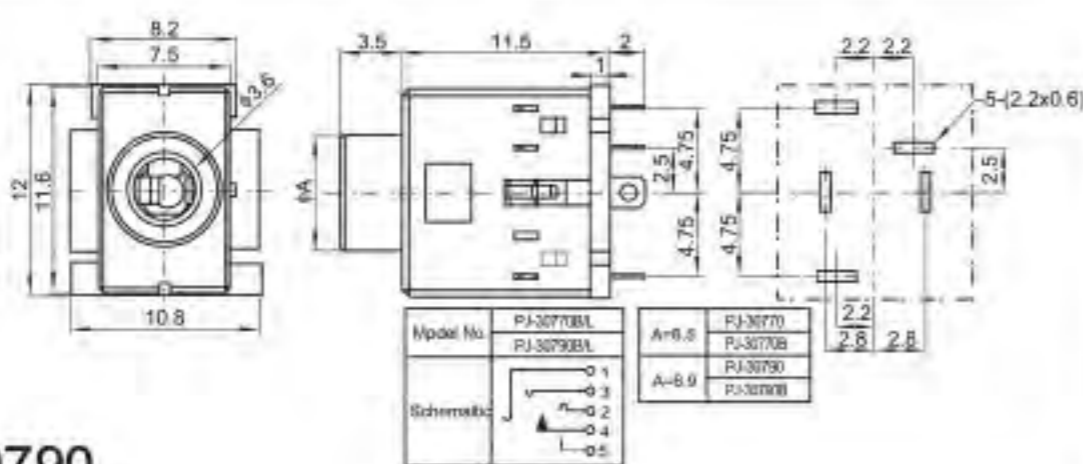
PJ-3078A



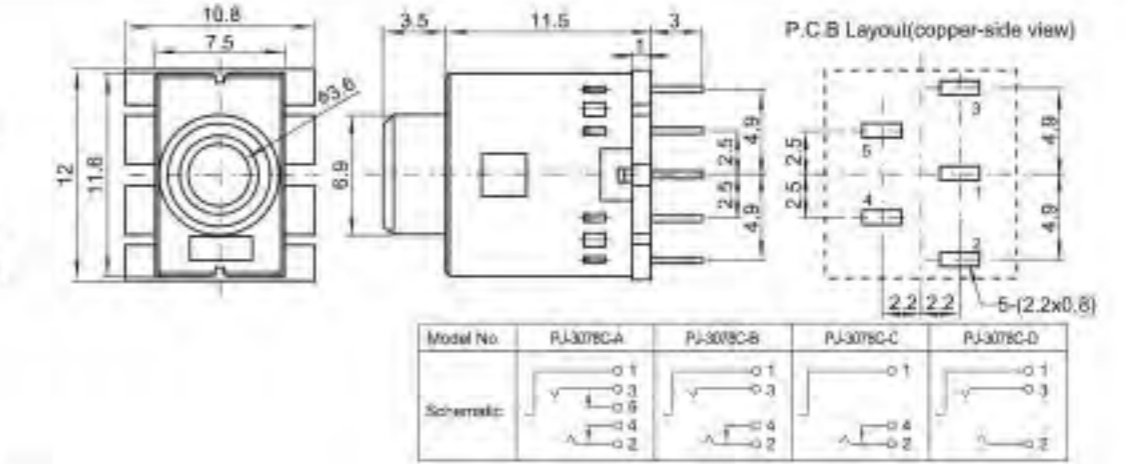
PJ-3076M



PJ-3078C



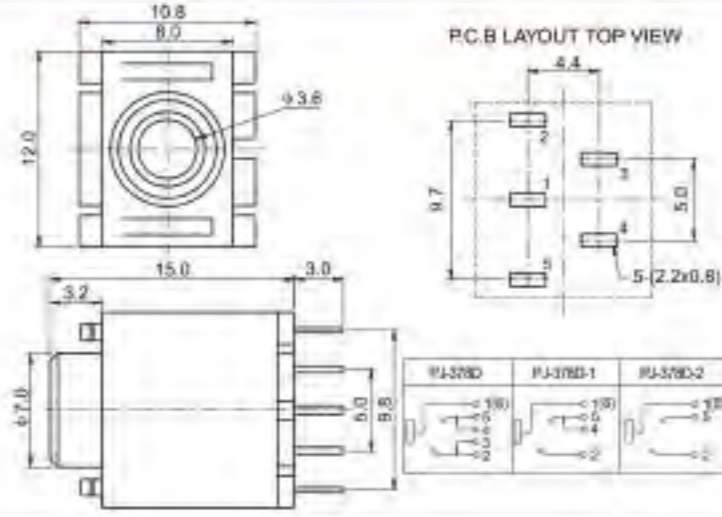
PJ-30770/30790



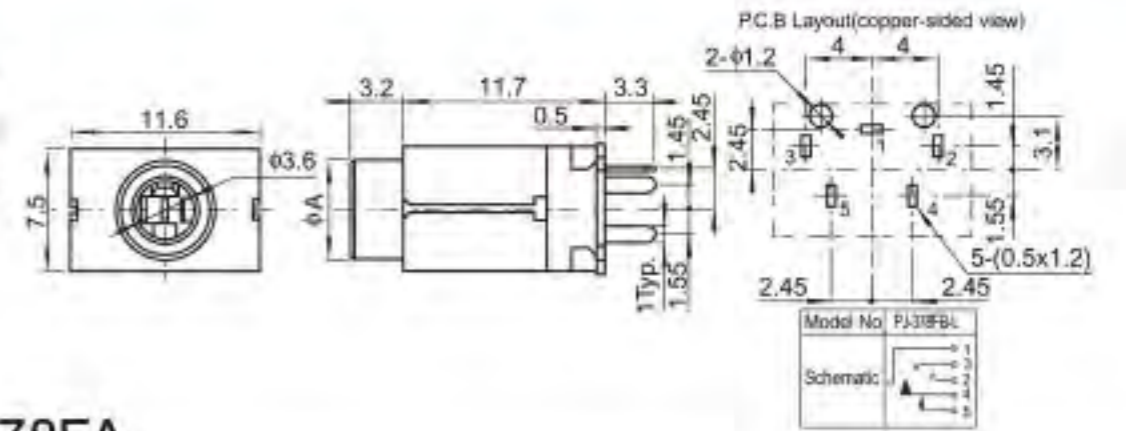
PJ-3078H



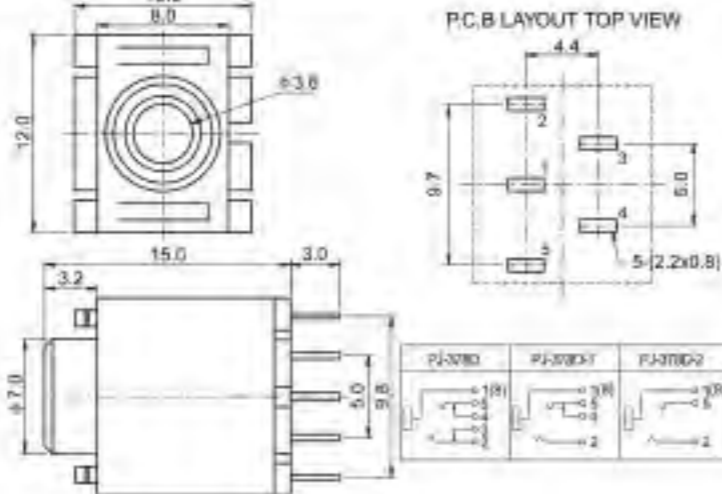
PJ-3078D



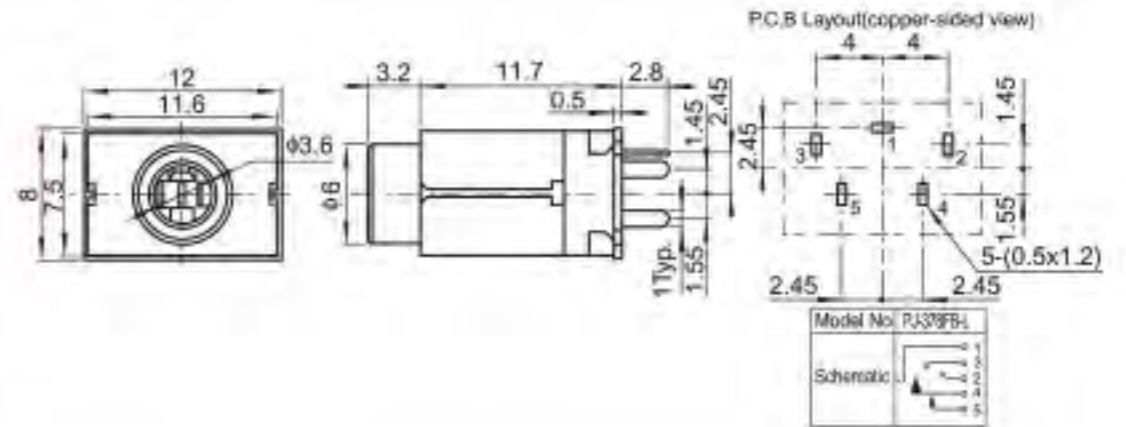
PJ-378EF/378FA



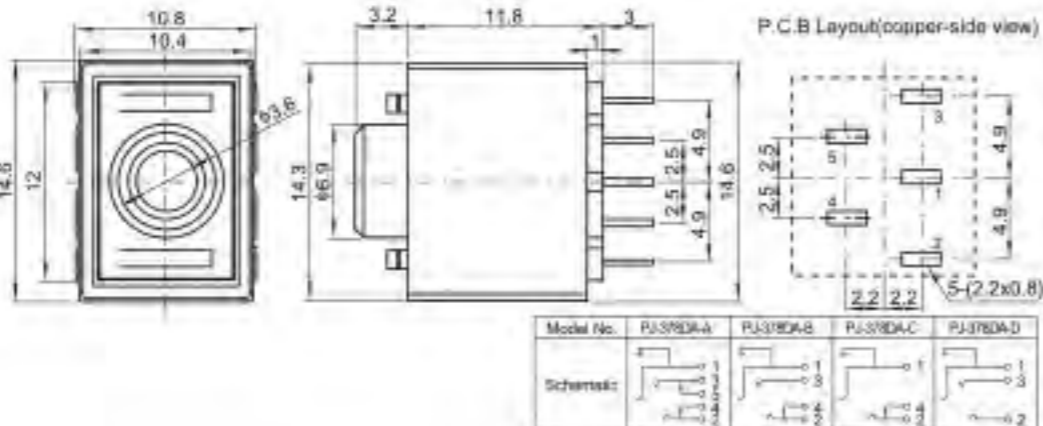
PJ-3078G



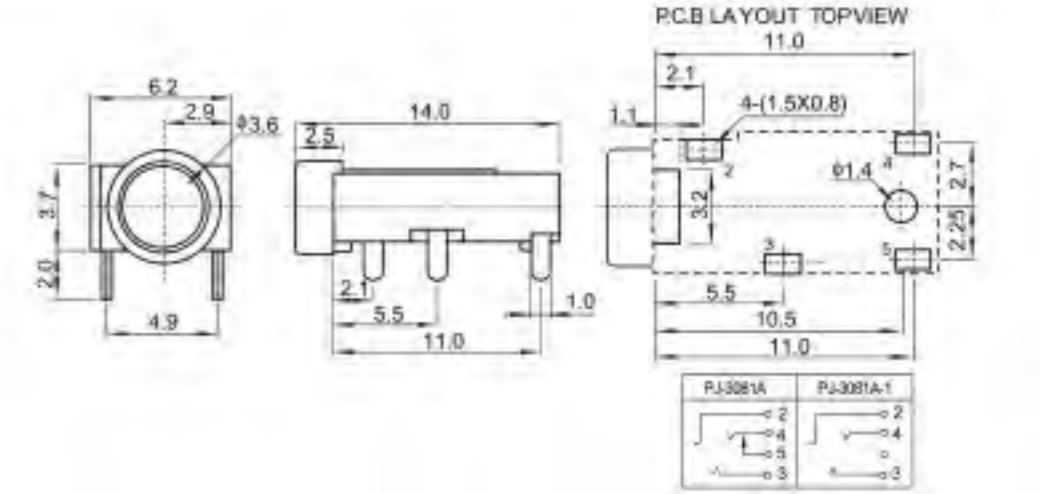
PJ-378FB



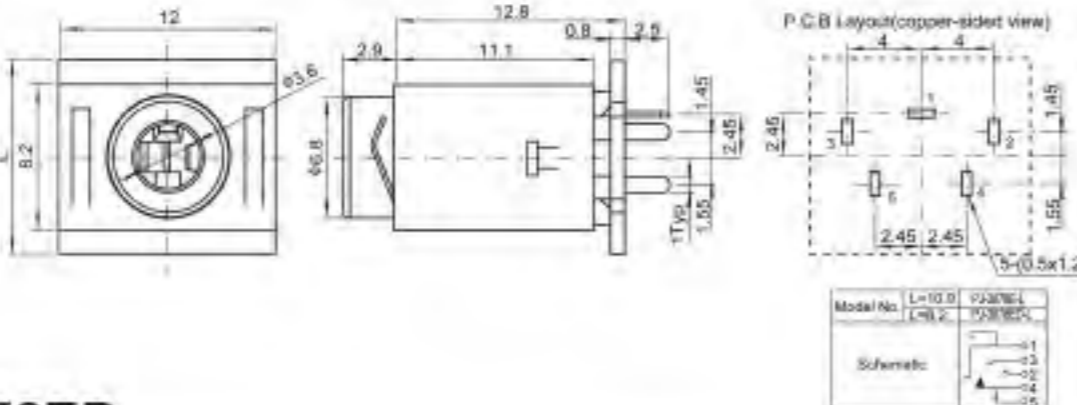
PJ-378DA



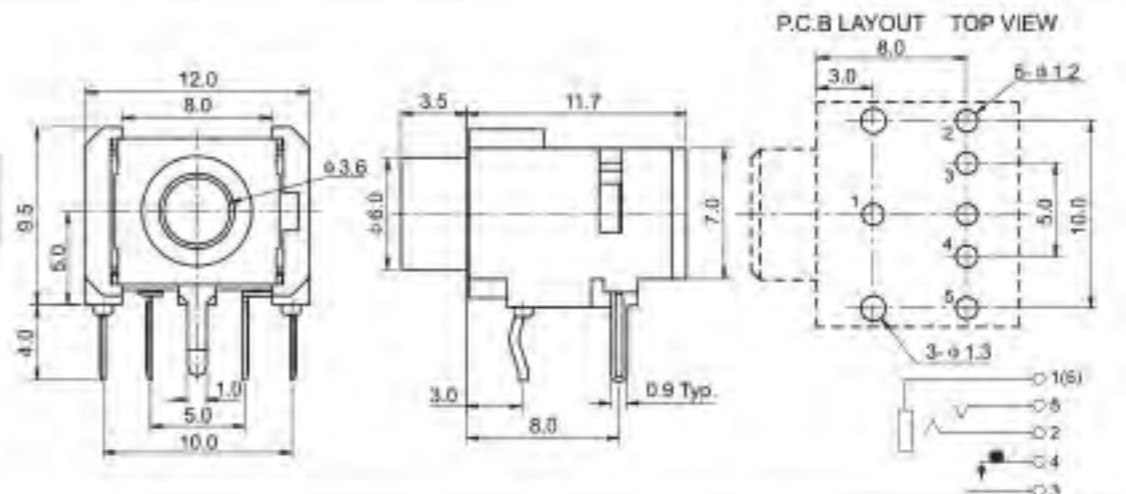
PJ-3081A



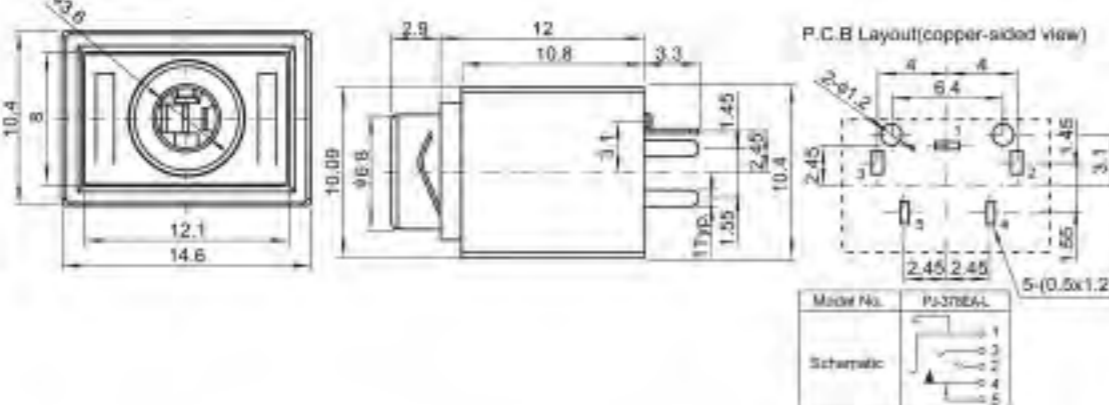
PJ-3078E/378ED



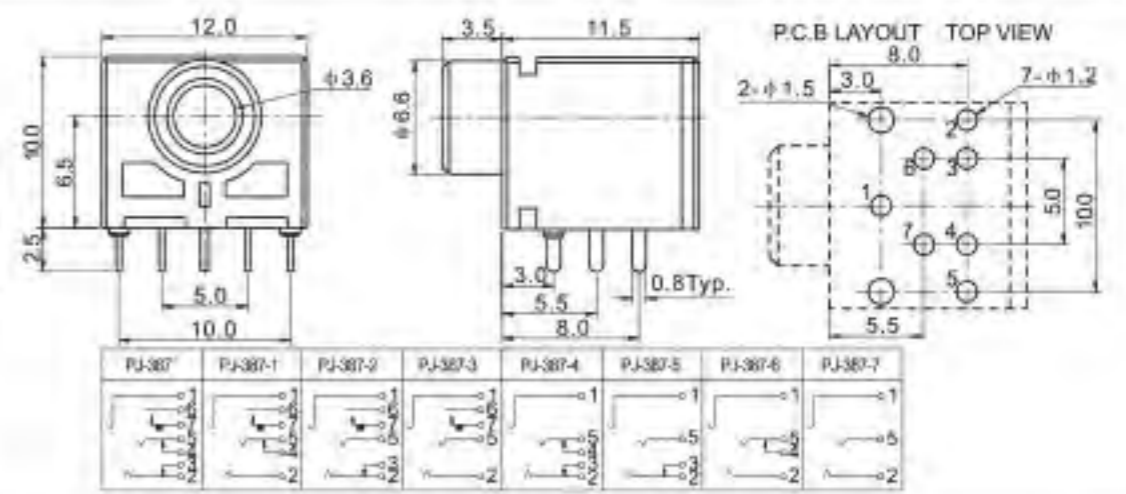
PJ-30860



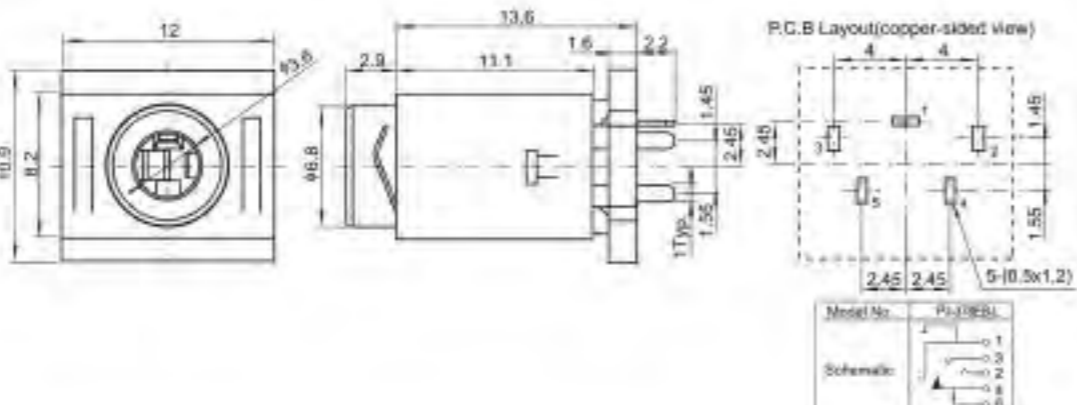
PJ-378EA



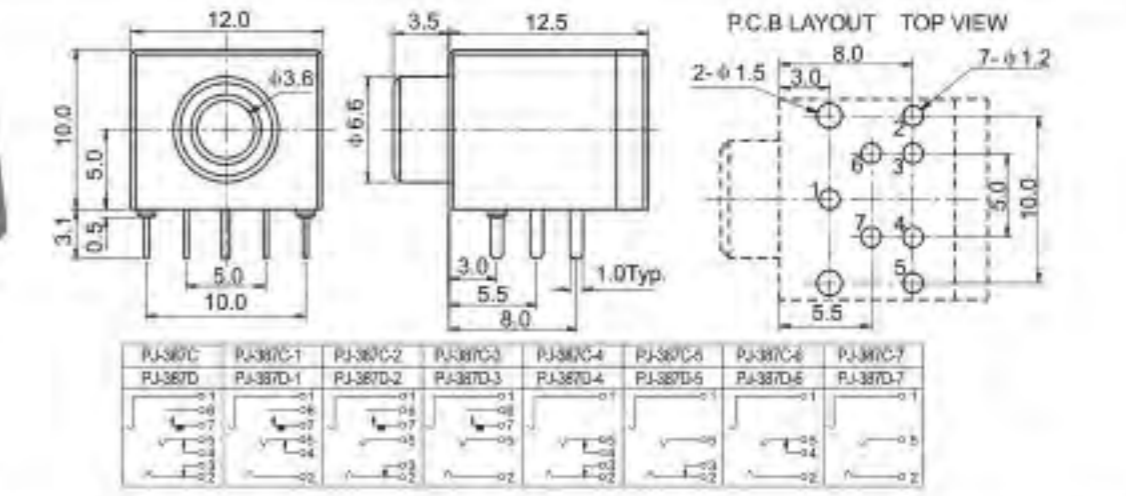
PJ-30870



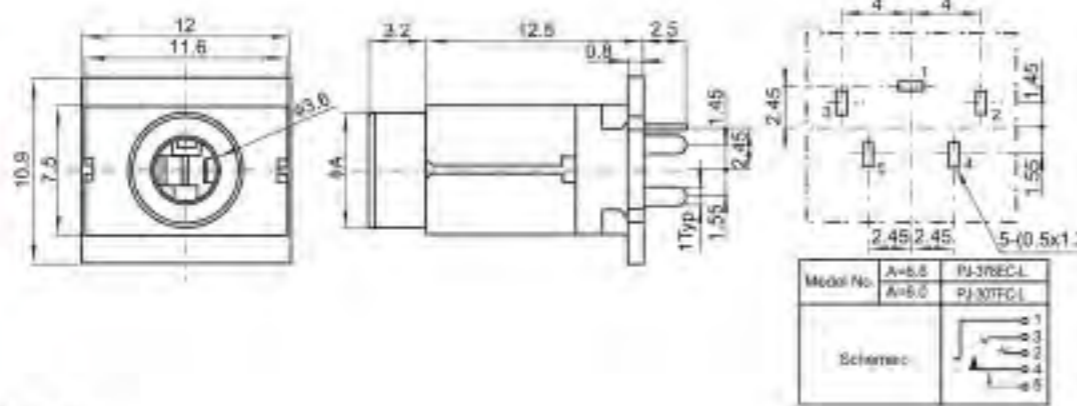
PJ-378EB



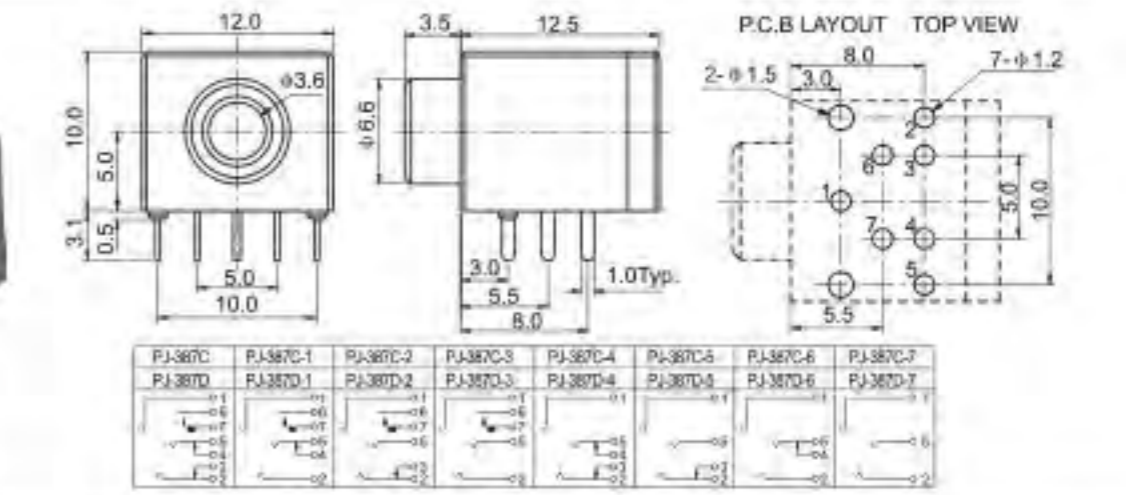
PJ-3087C



PJ-378EC/3078F

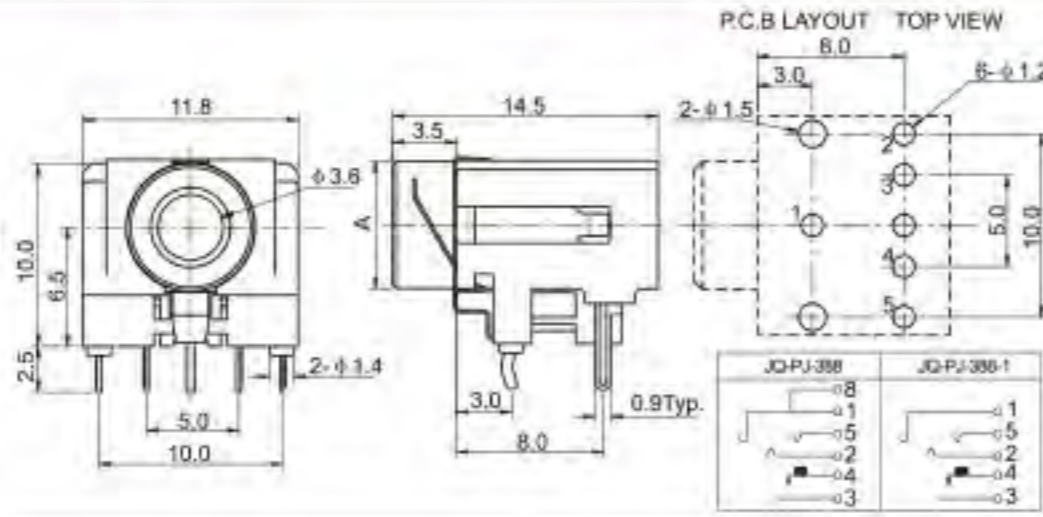


PJ-3087D

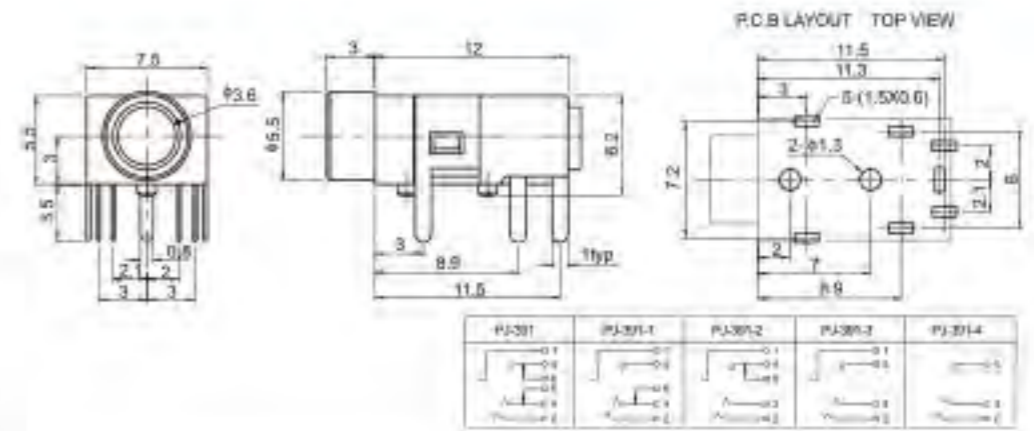




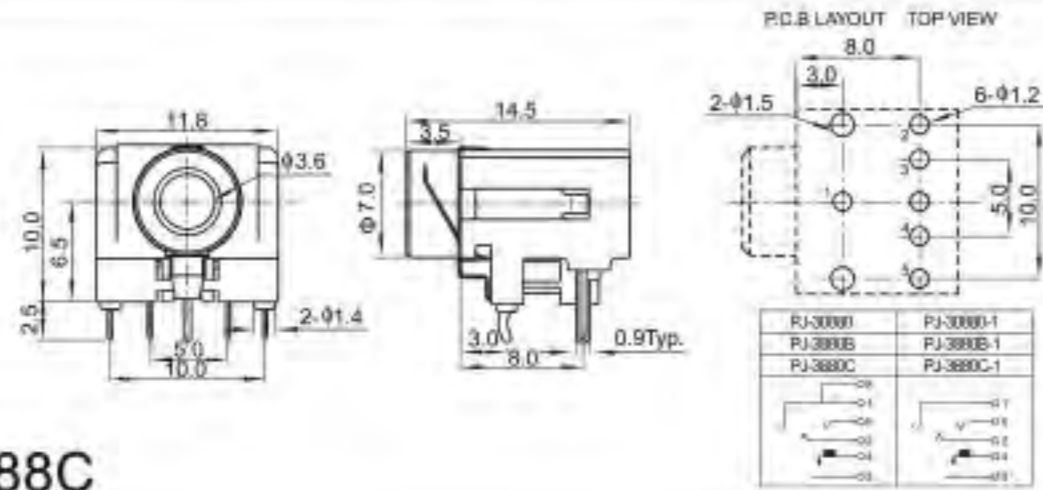
PJ-30880



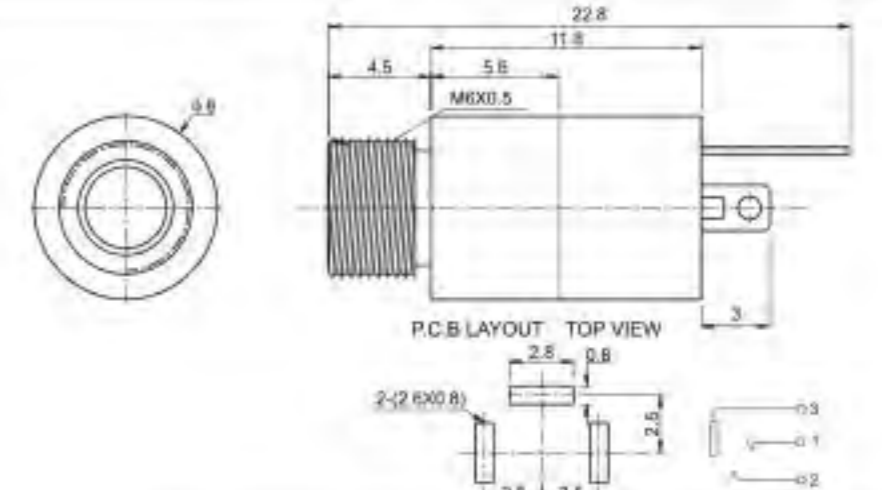
PJ-30910



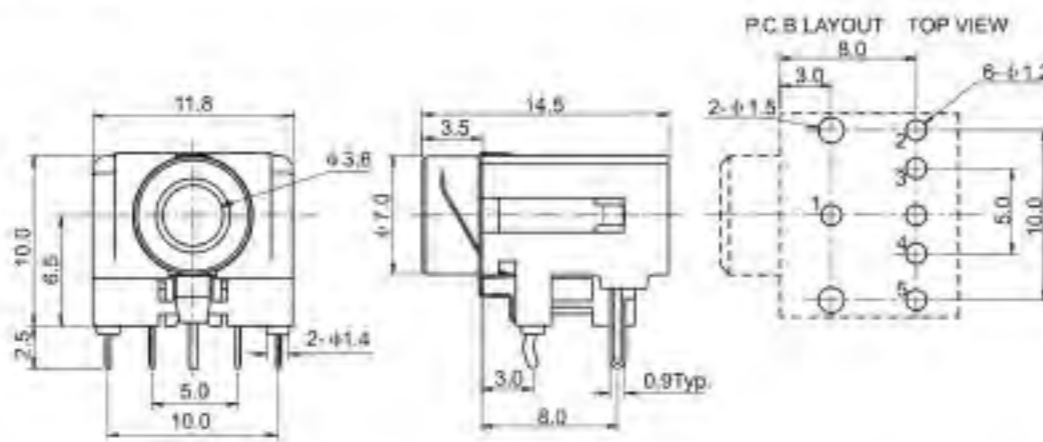
PJ-3088B/3088C



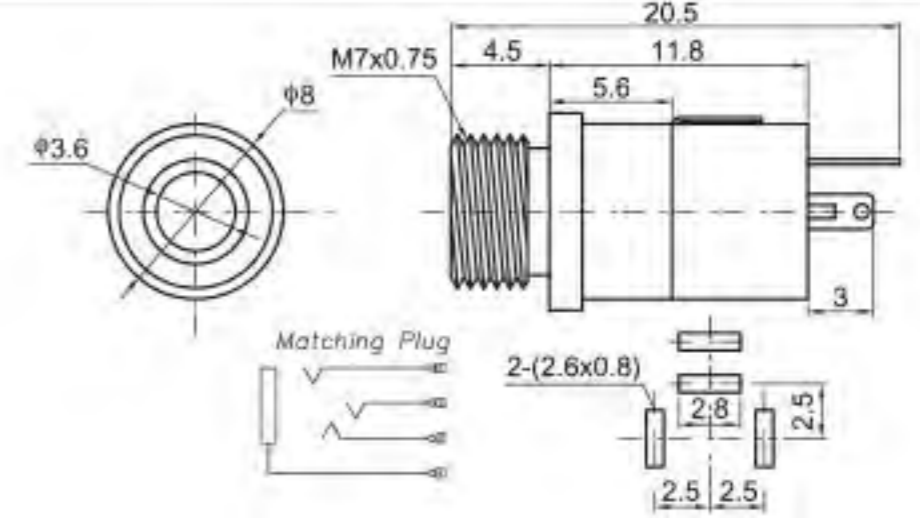
PJ-30920



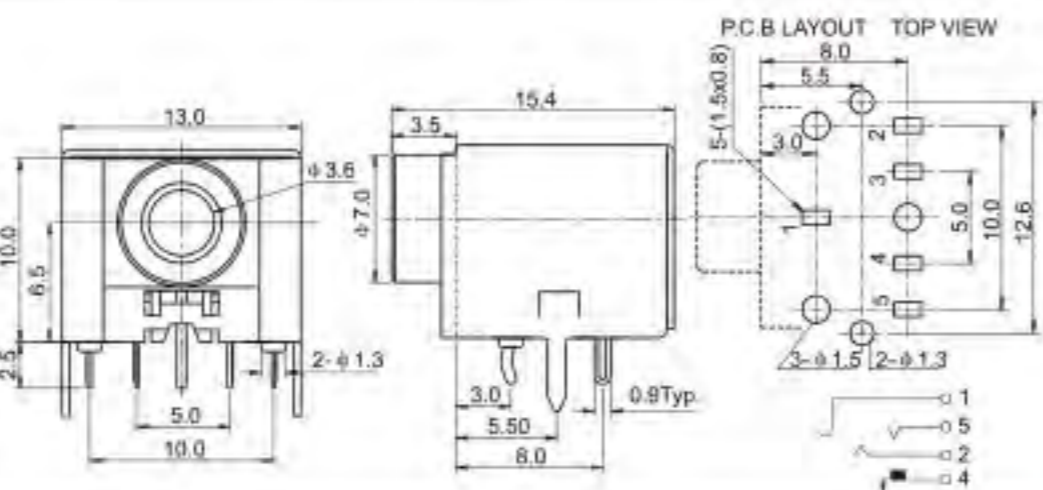
PJ-3088A



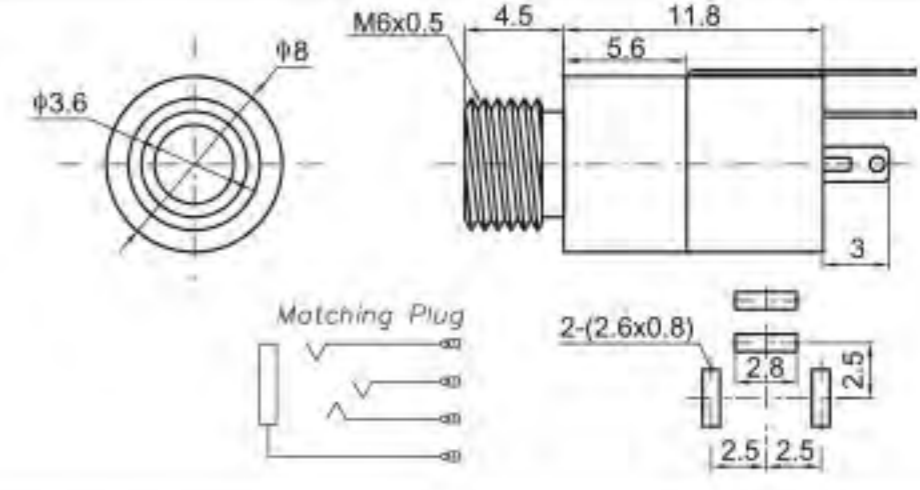
PJ-3092A



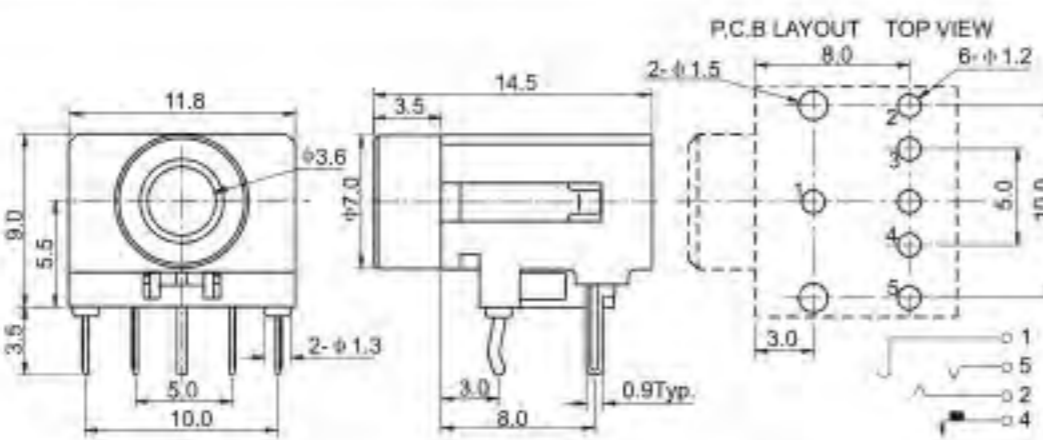
PJ-3088T



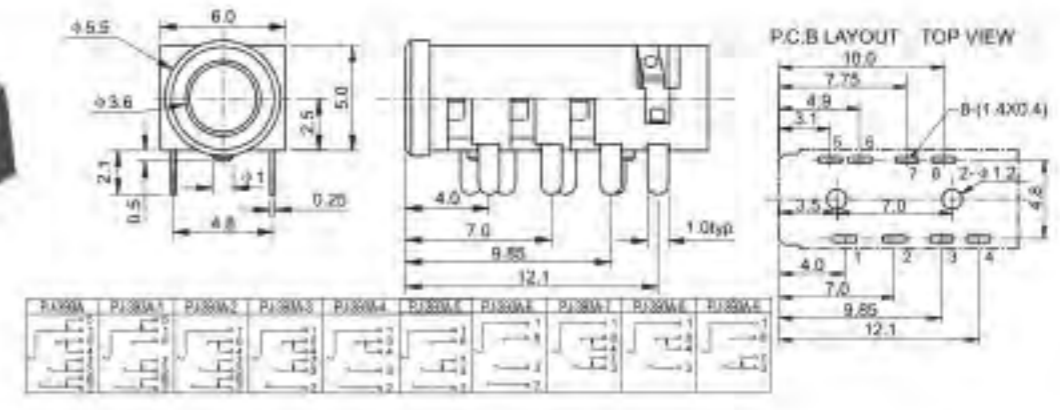
PJ-3092B



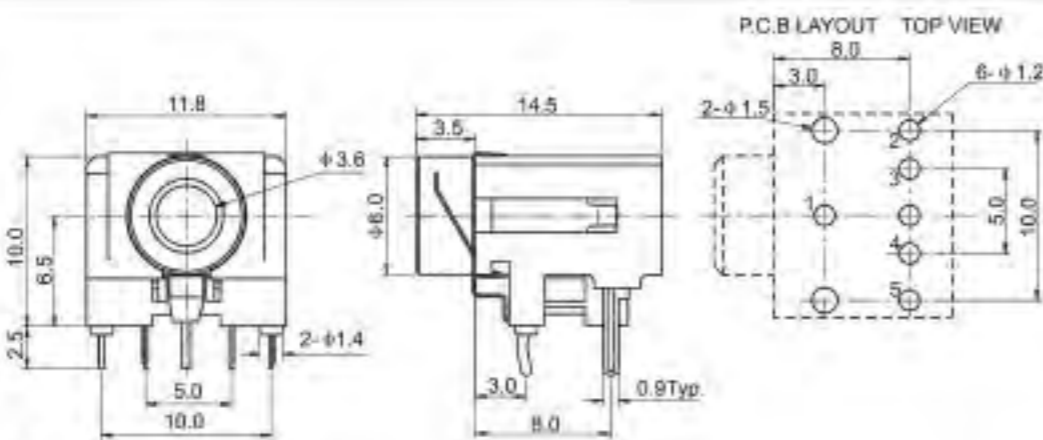
PJ-30900



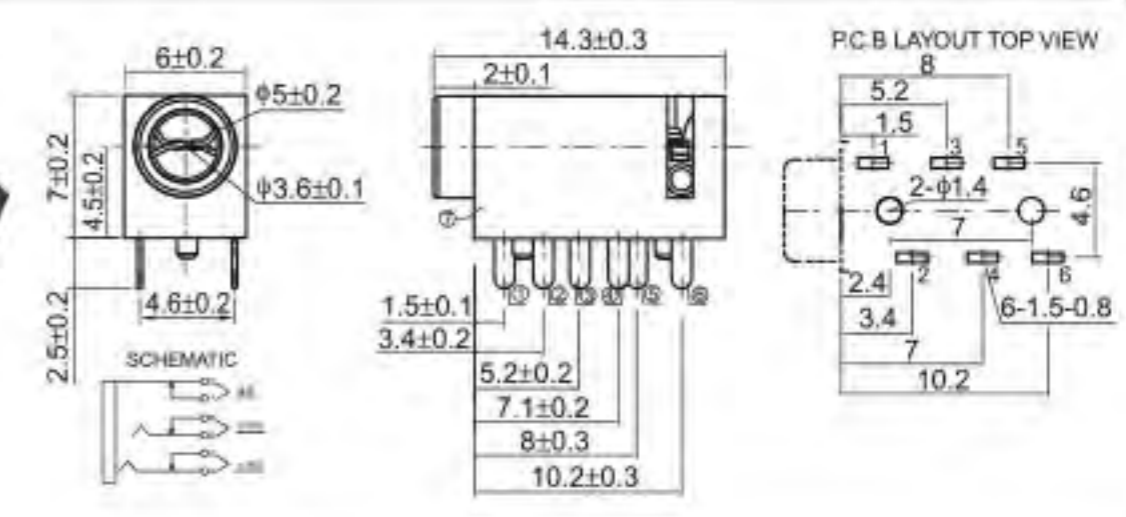
PJ-3093A



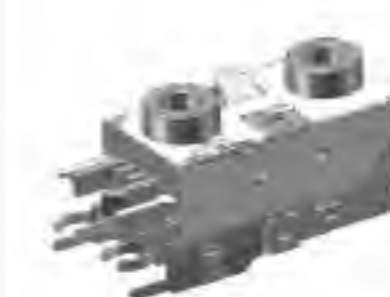
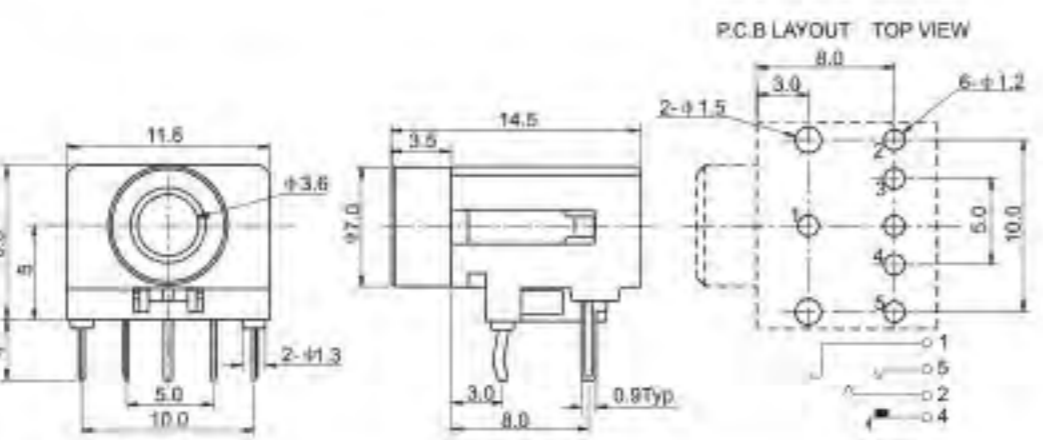
PJ-3090A/3090C



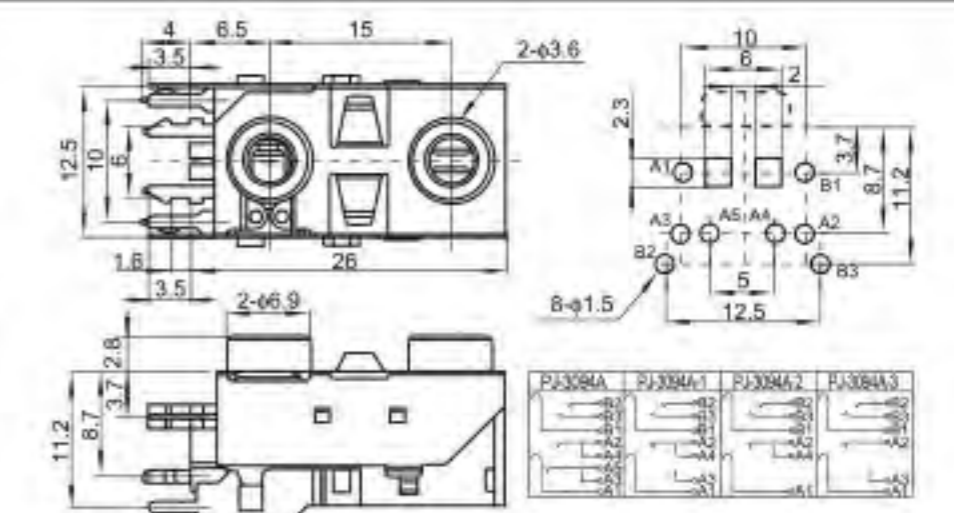
PJ-3093T



PJ-3090B

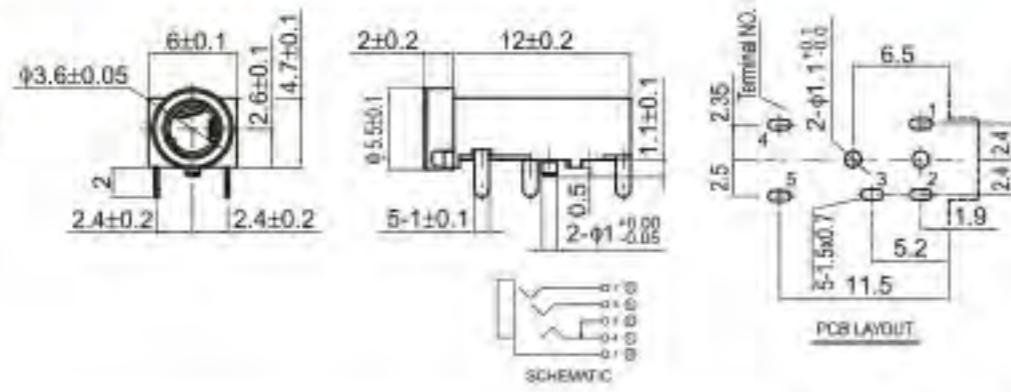


PJ-3094A

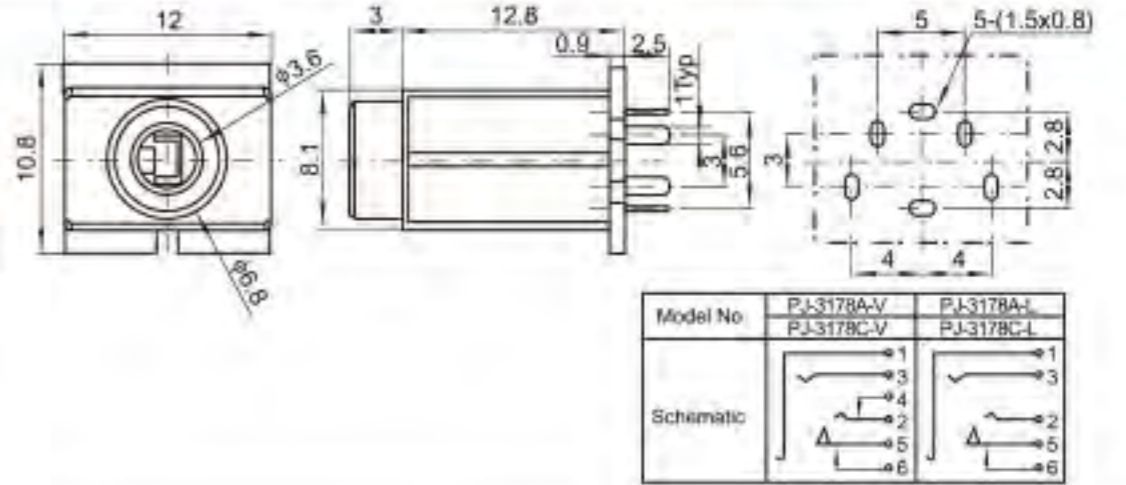




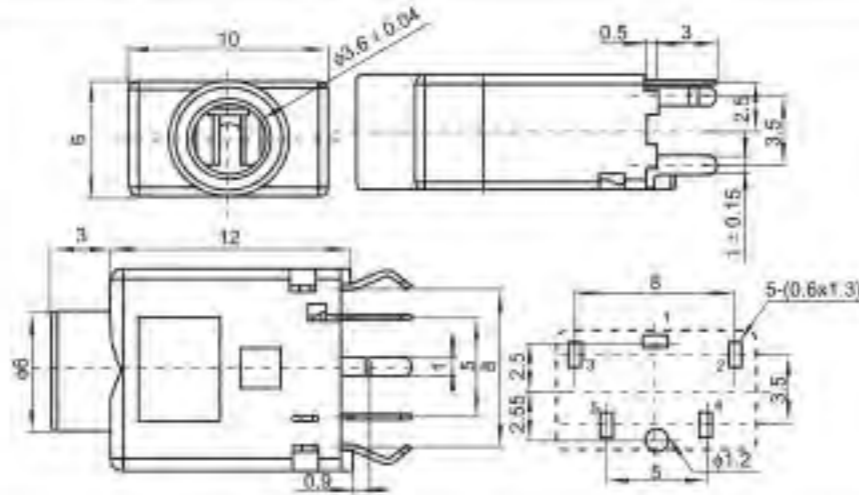




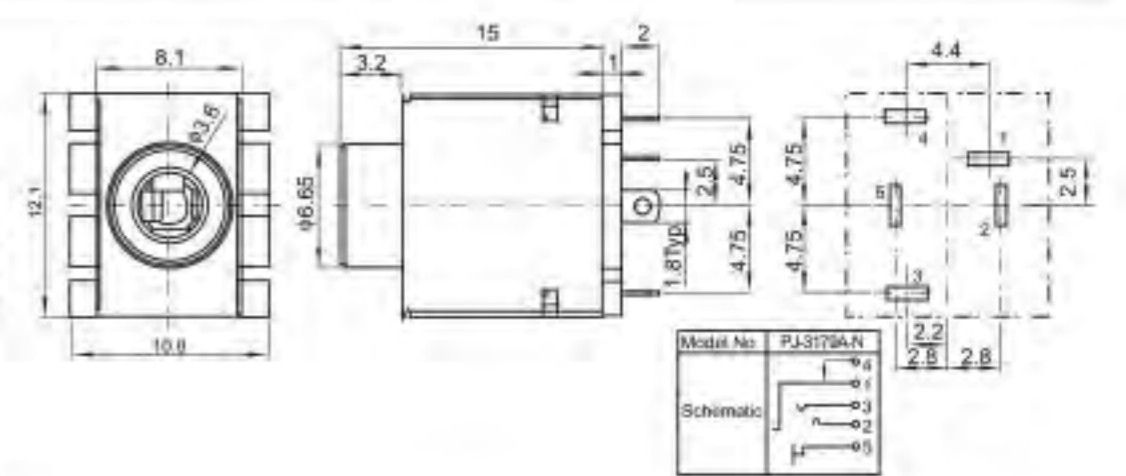
PJ-31550



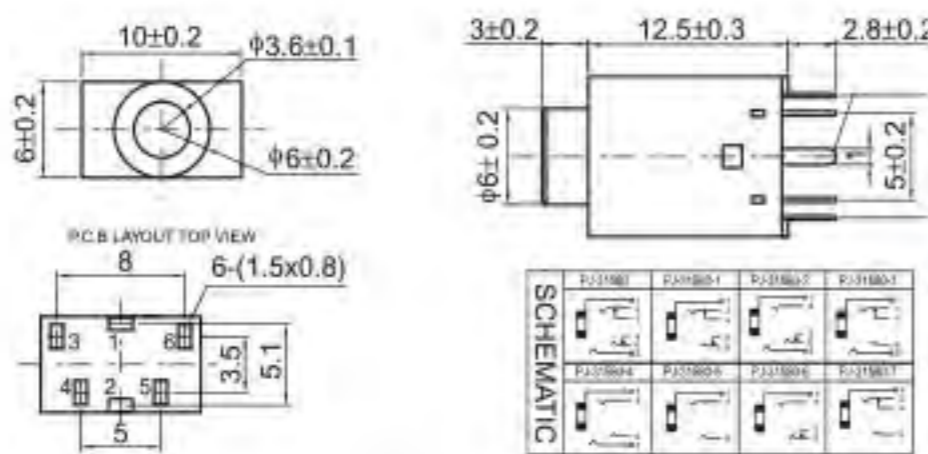
PJ-3178C



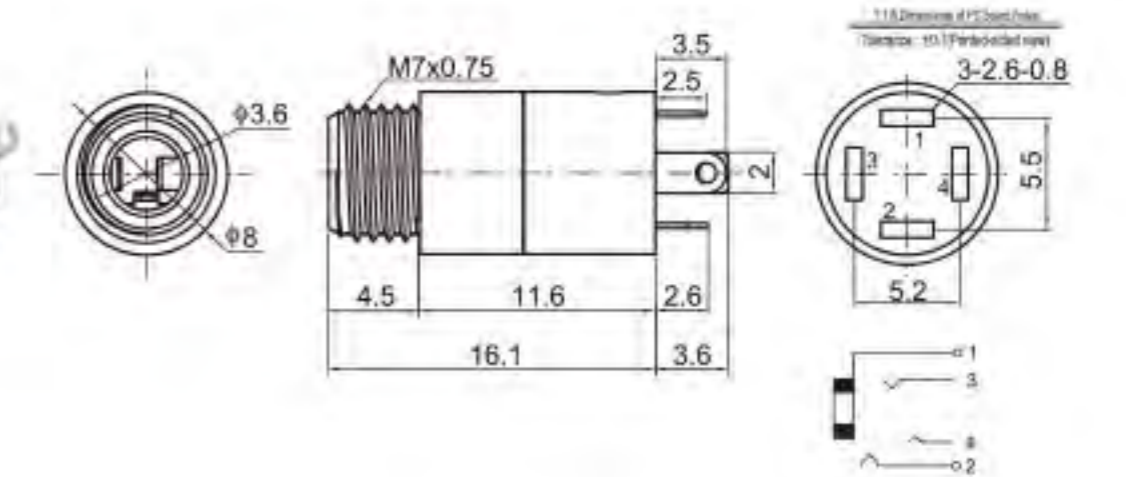
PJ-31580



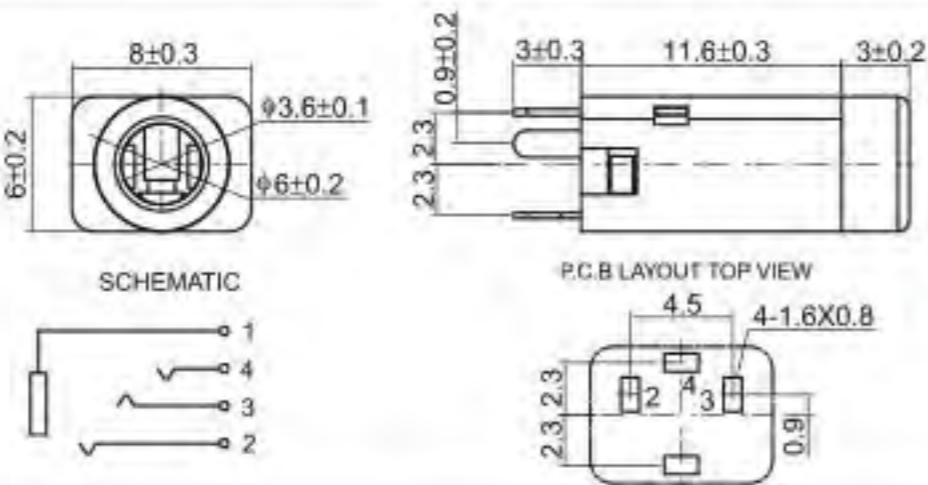
PJ-3179A



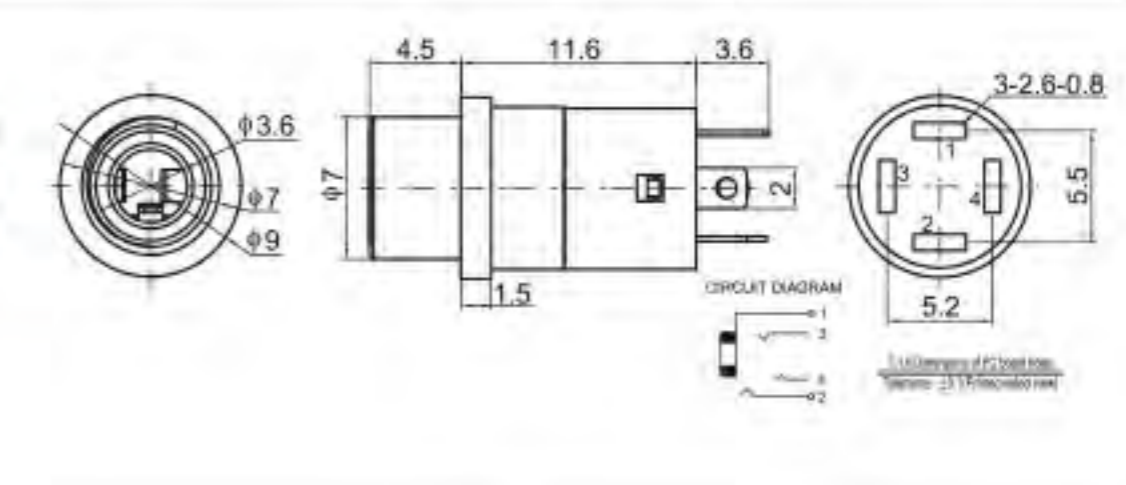
PJ-3158A



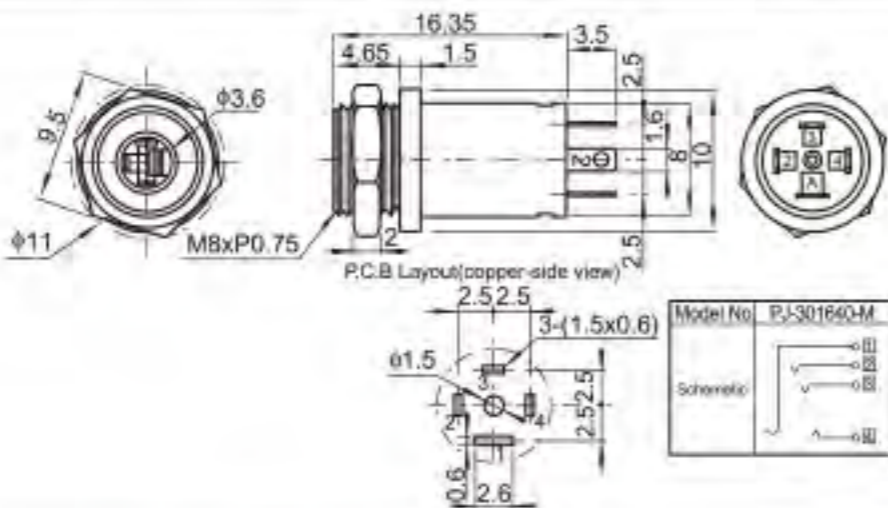
PJ-3192A



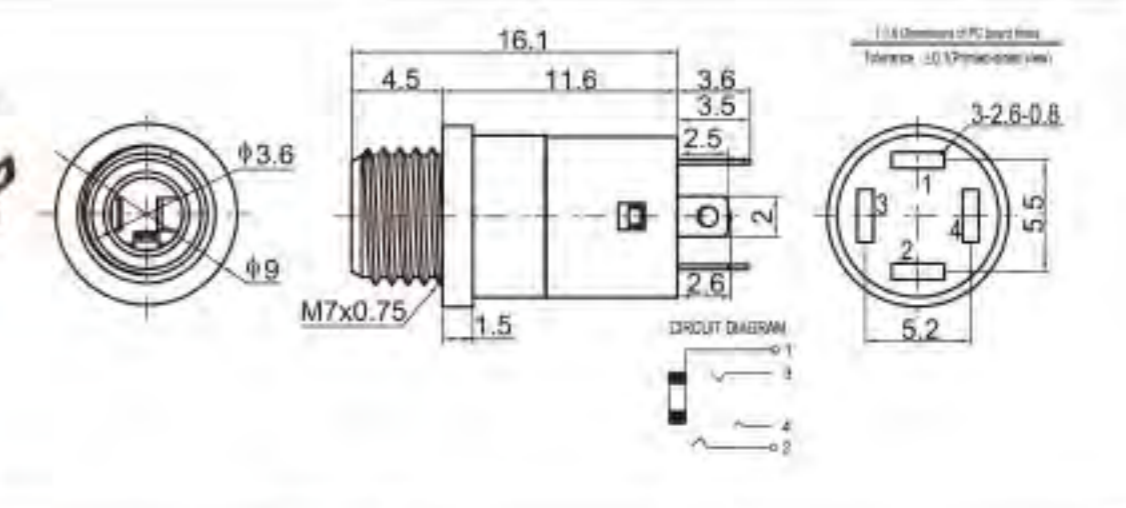
PJ-31590



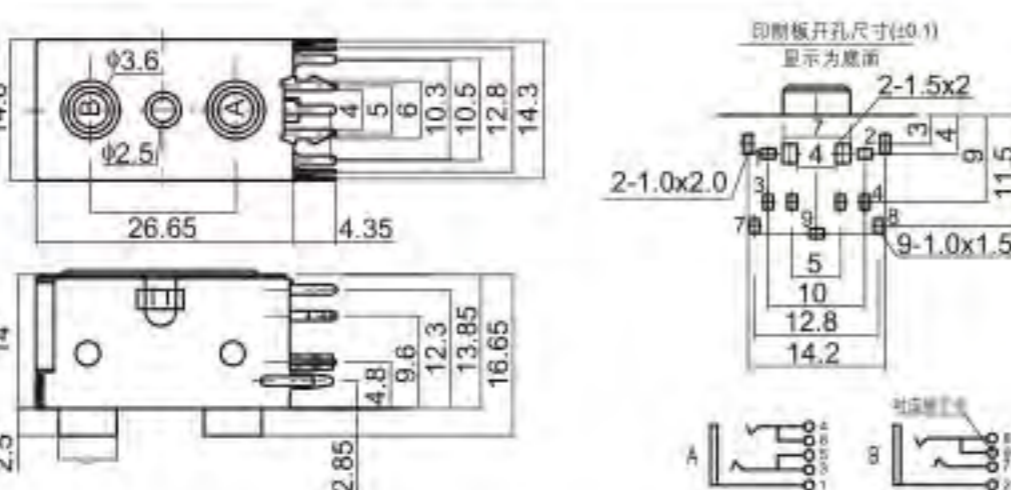
PJ-3192F



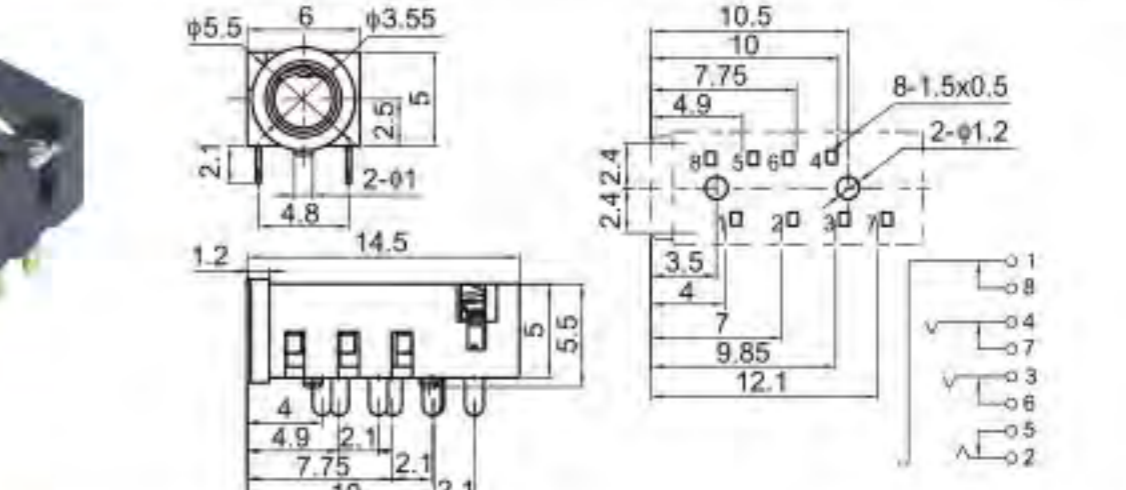
PJ-31640



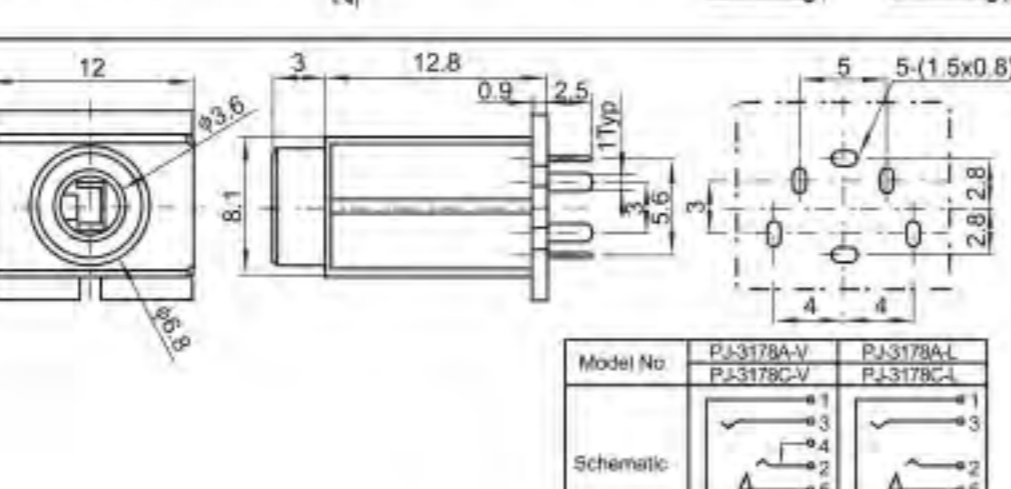
PJ-3192M



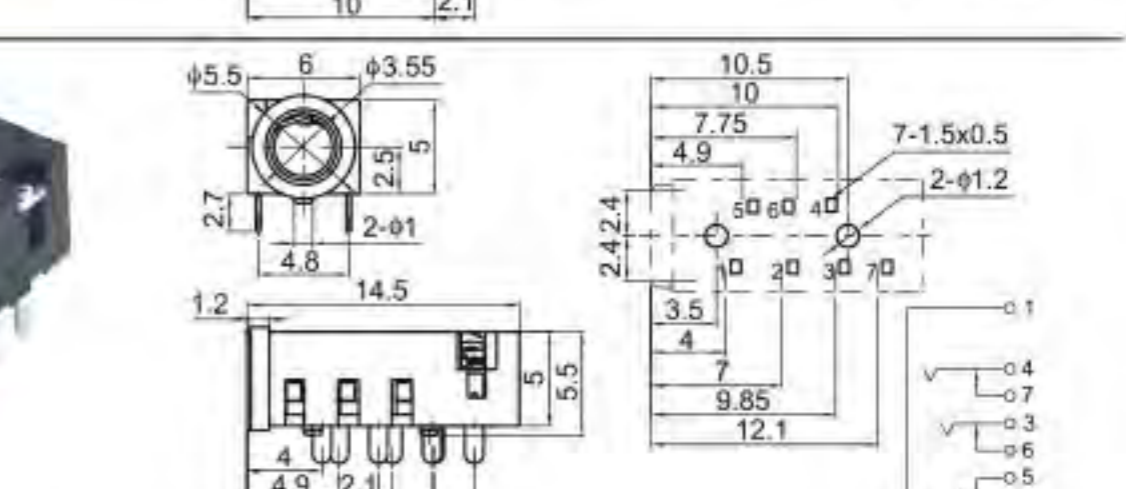
PJ-31729



PJ-3193A

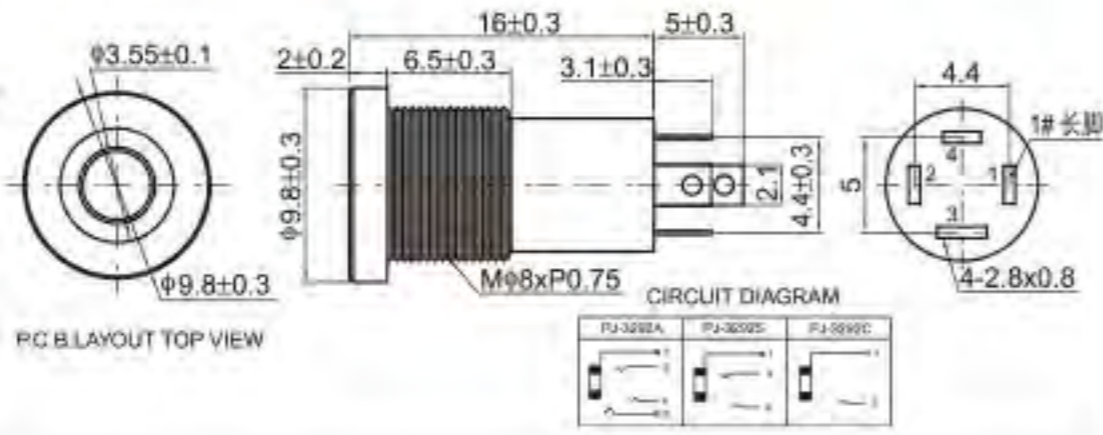


PJ-3178A

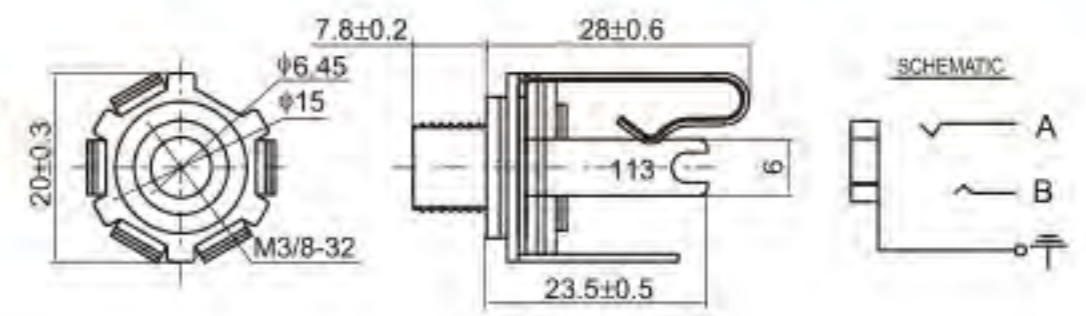


PJ-3193B

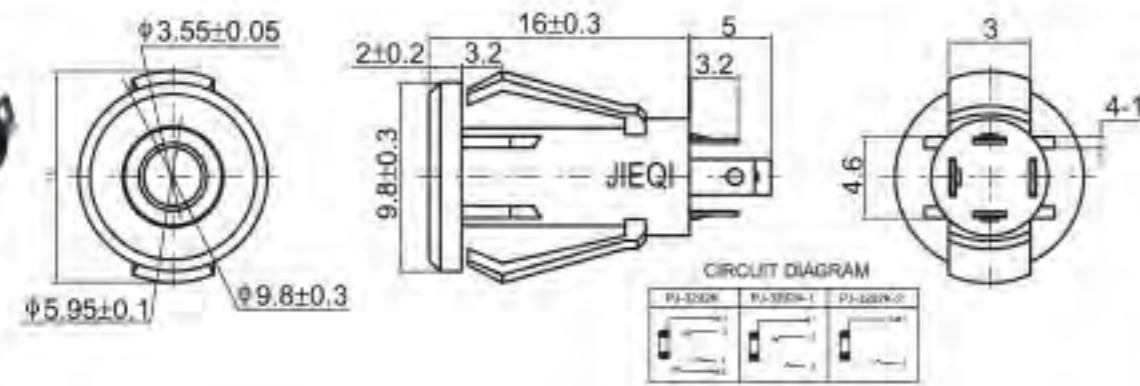




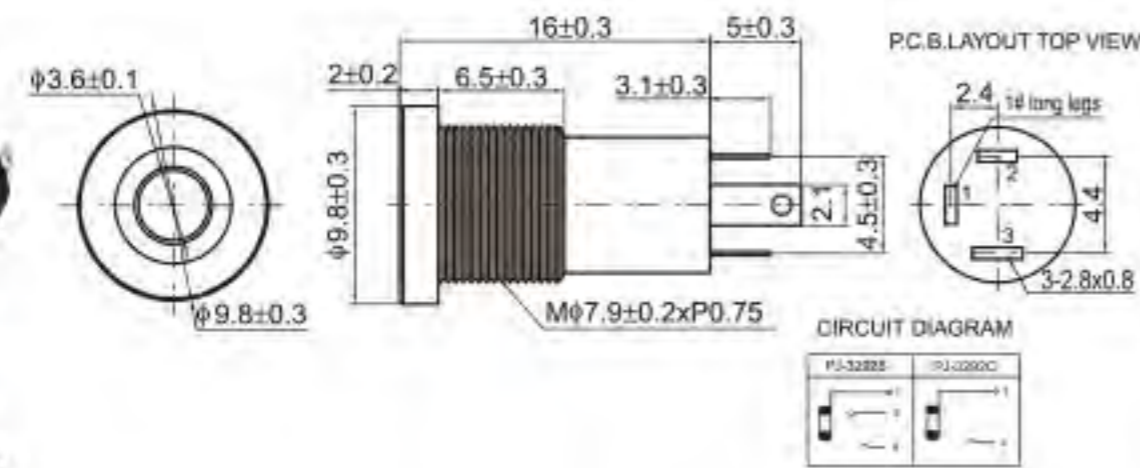
PJ-3292A



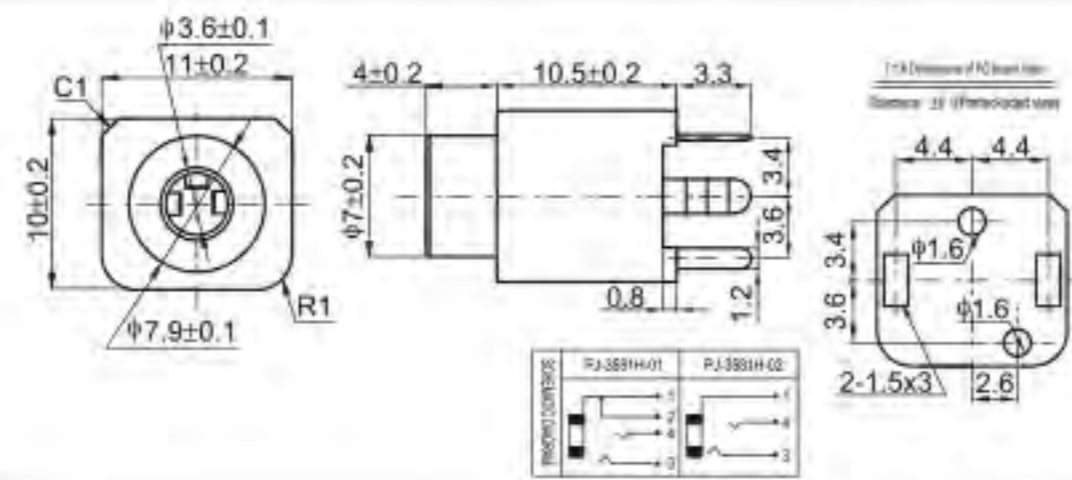
PJ-60620



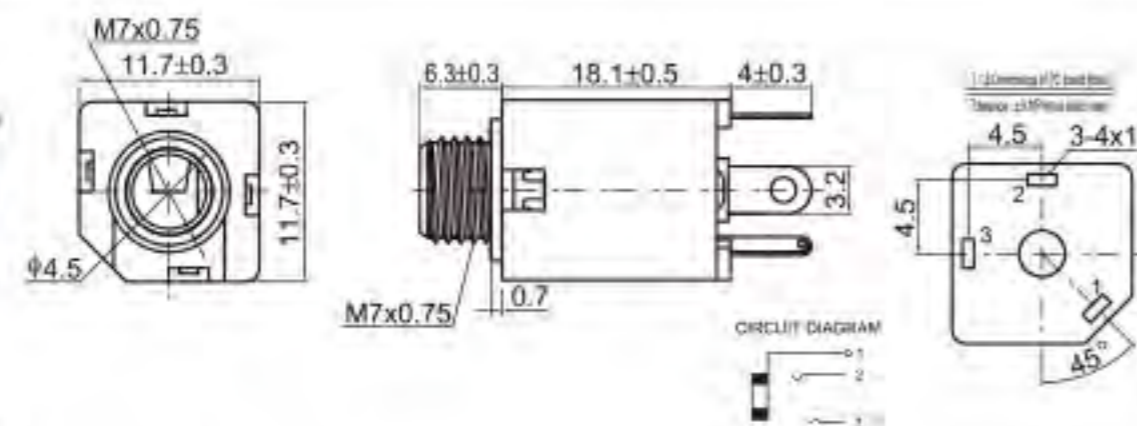
PJ-3292K



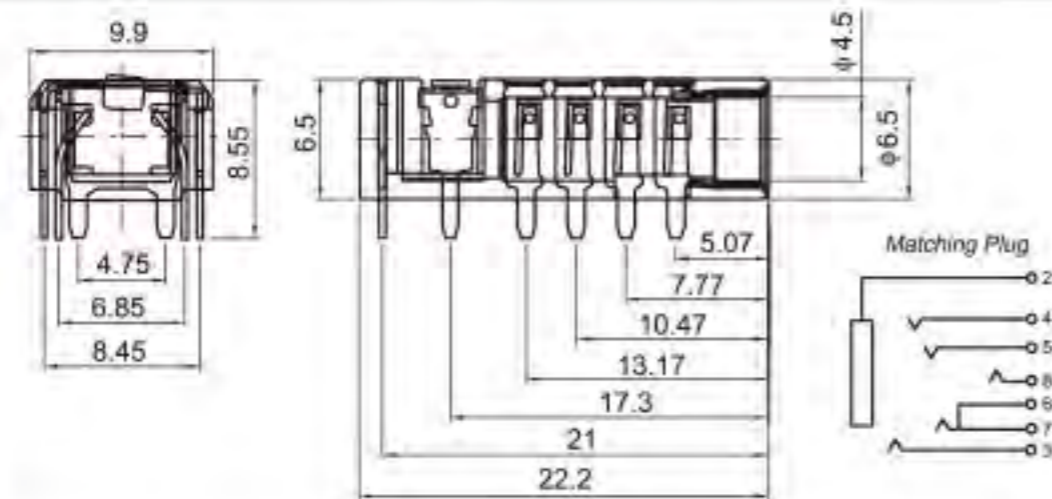
PJ-3292S



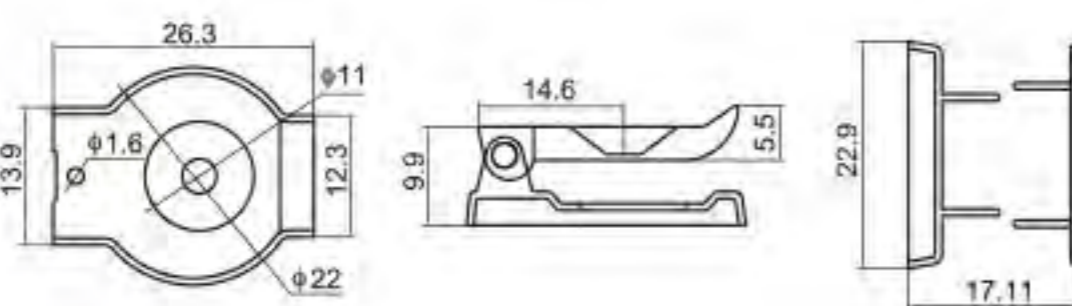
PJ-3581H



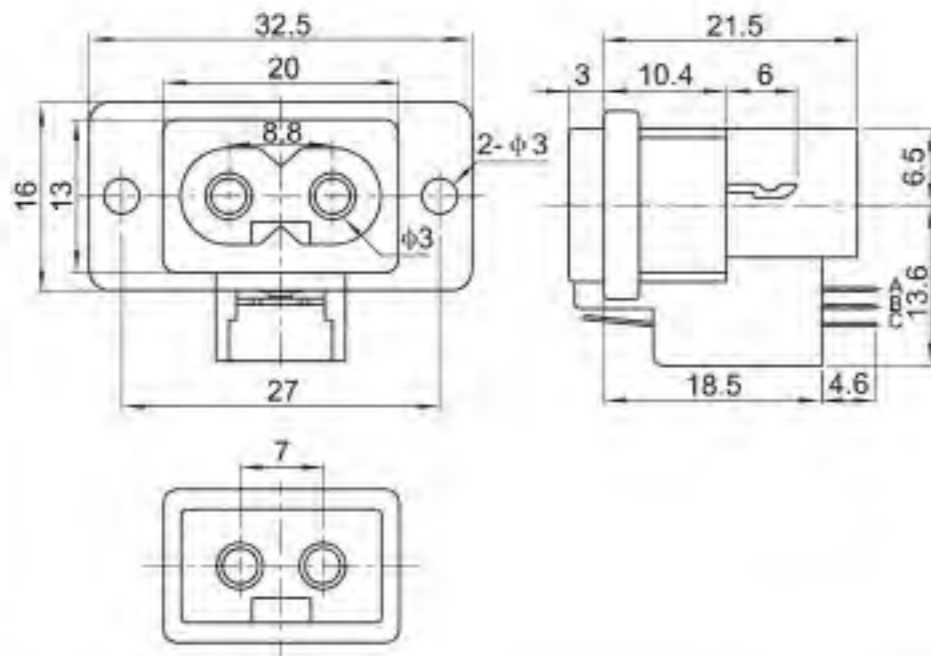
PJ-44630



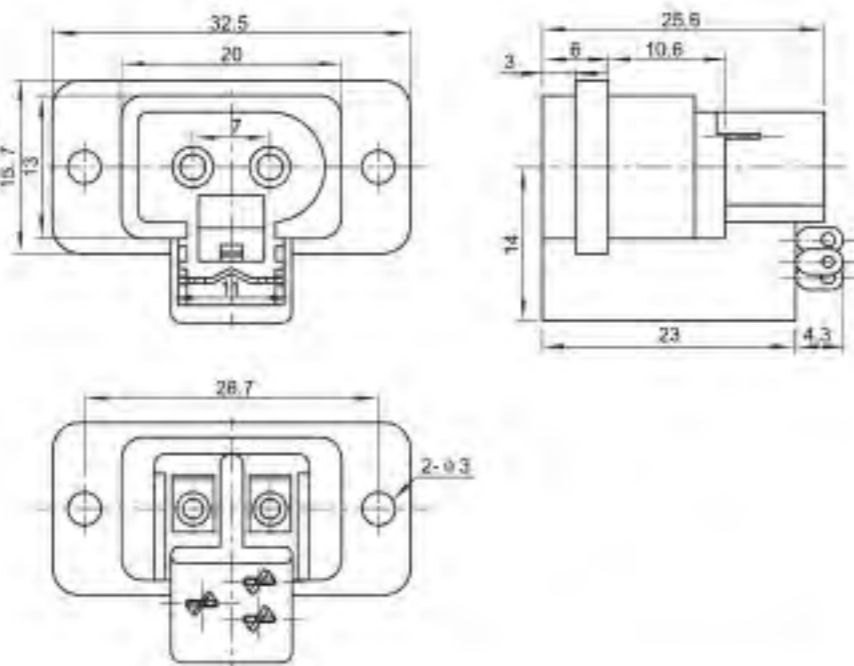
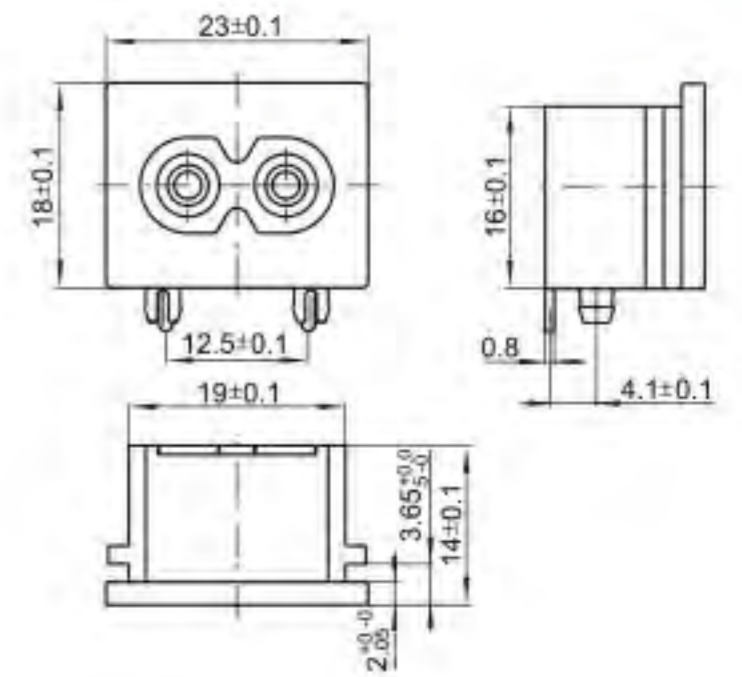
PJ-45451



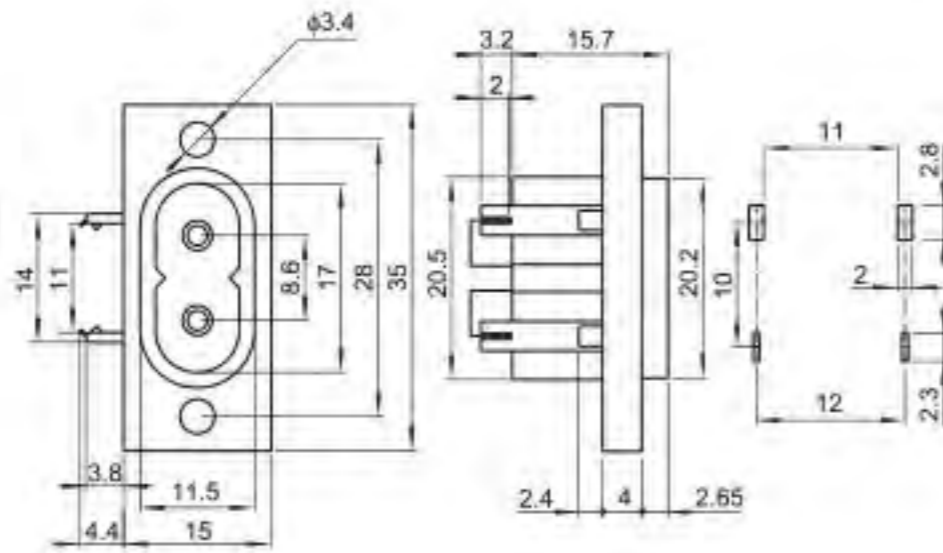
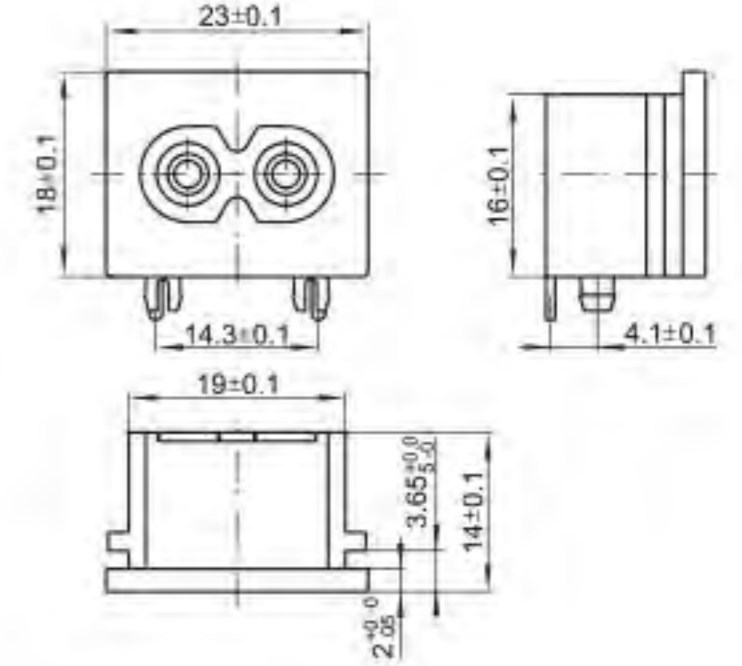
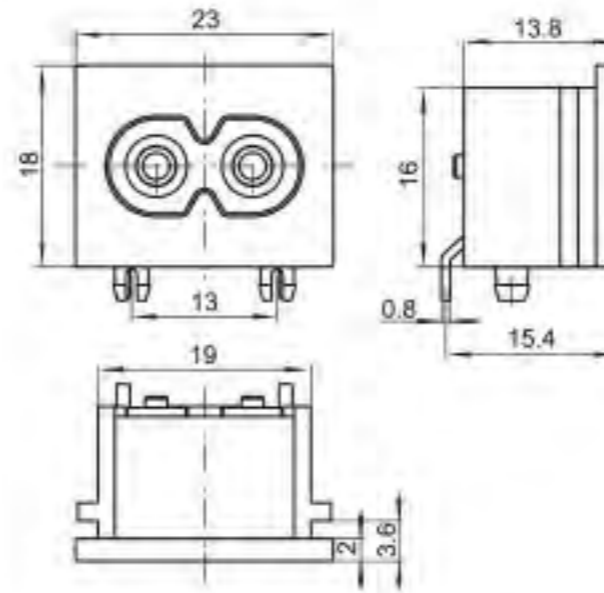
PJ-60610



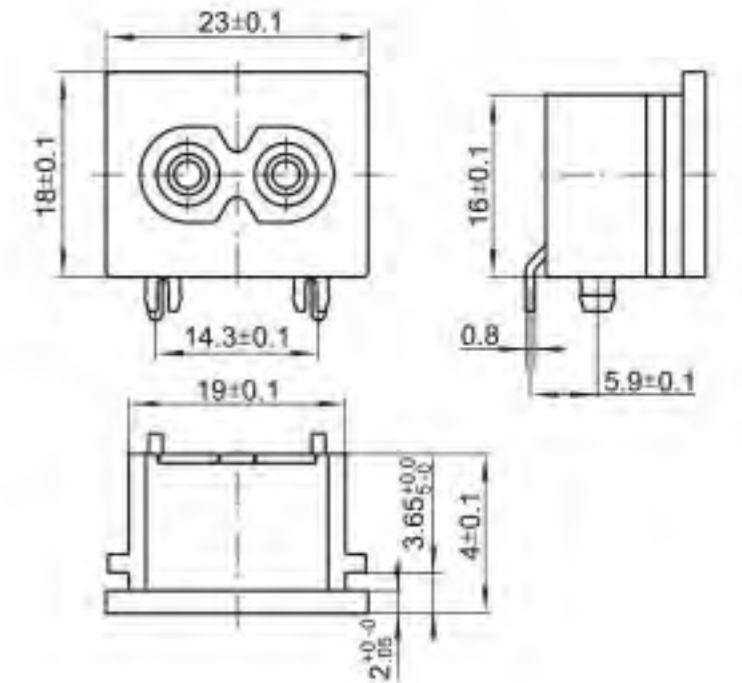
AC-001



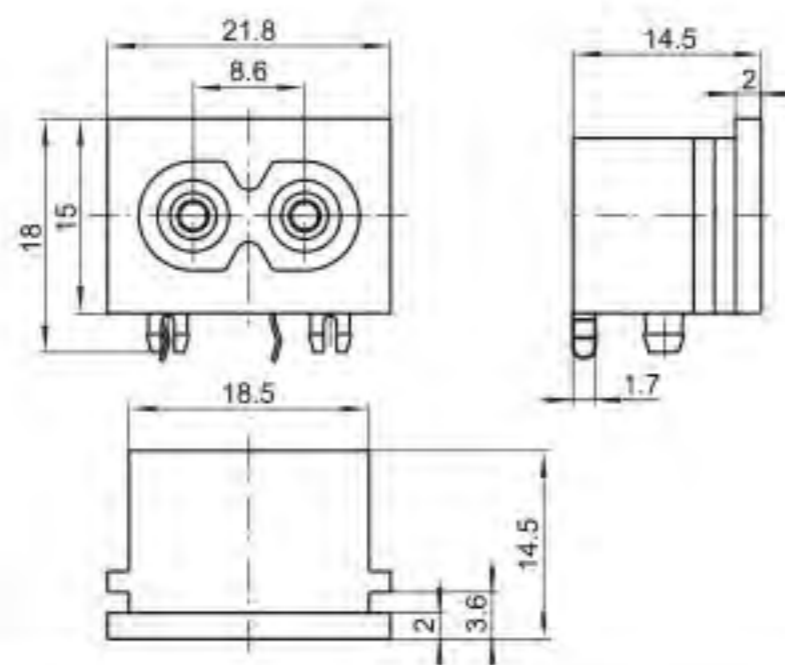
AC-001A



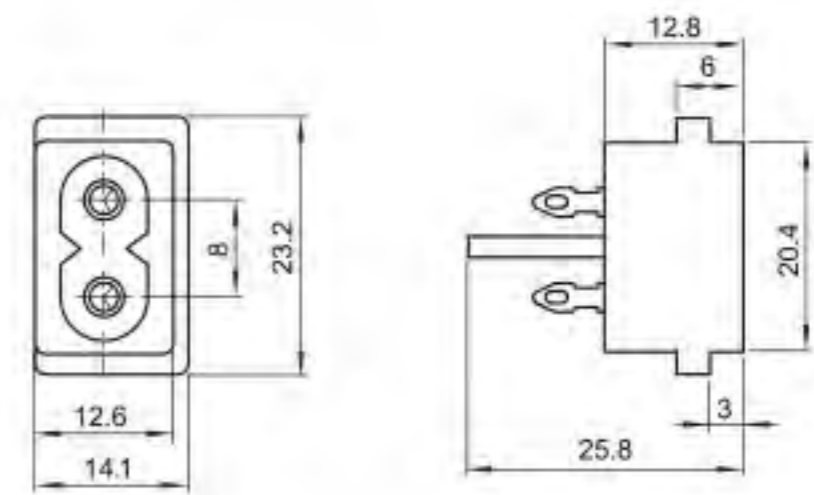
AC-002B



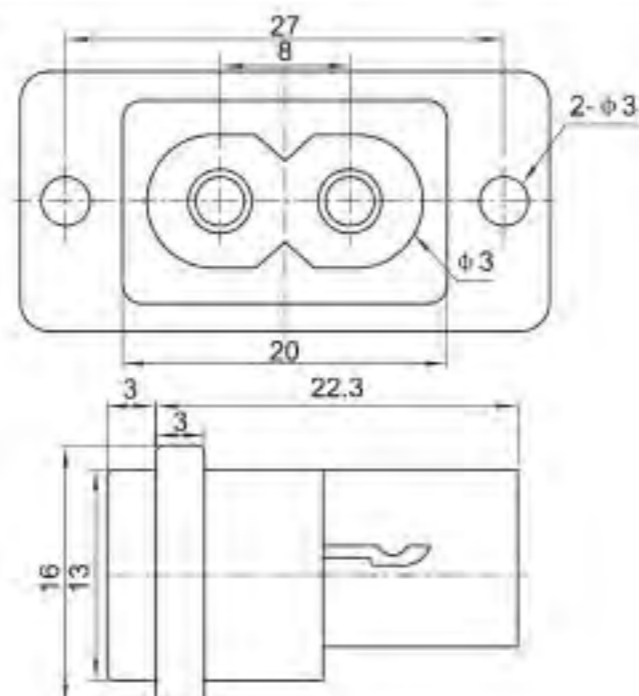
AC-003A



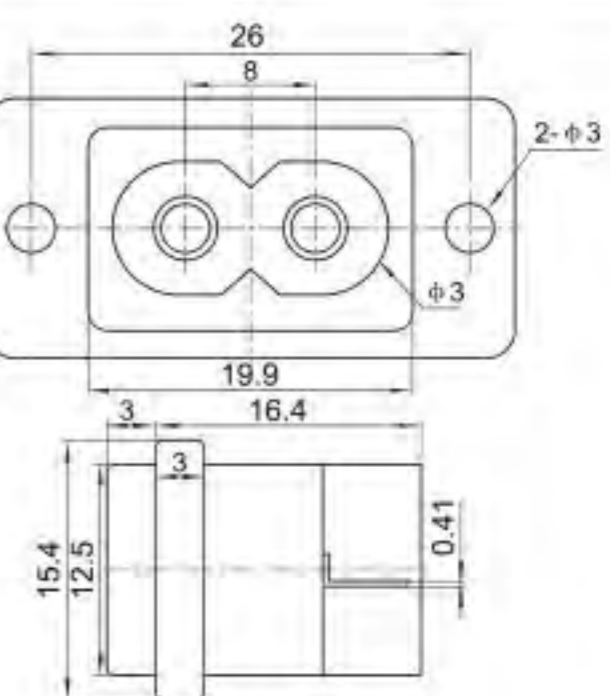
AC-003



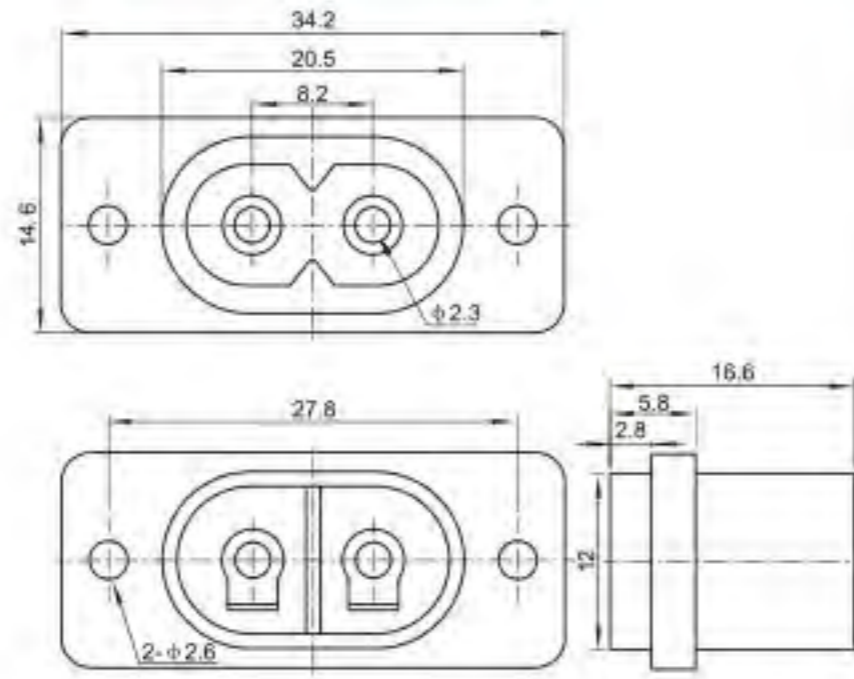
AC-004



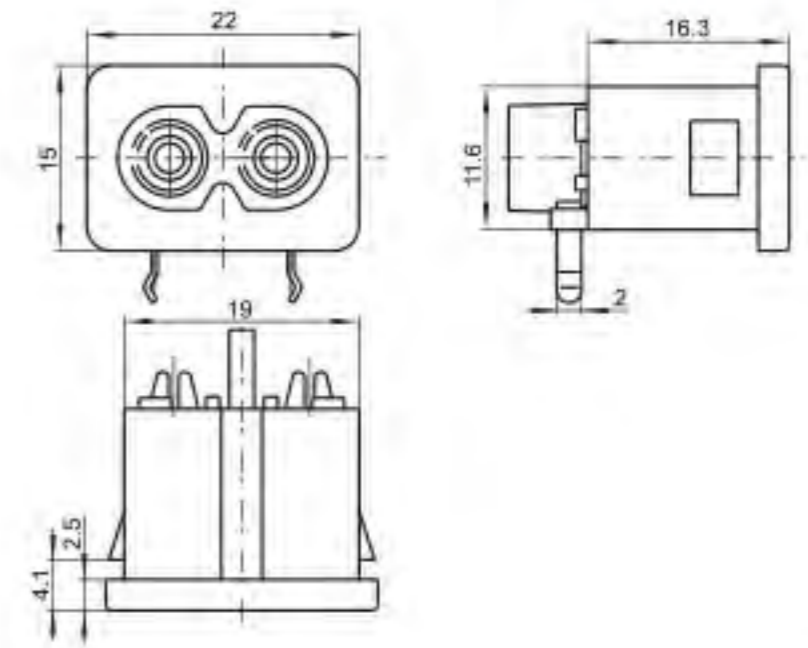
AC-005



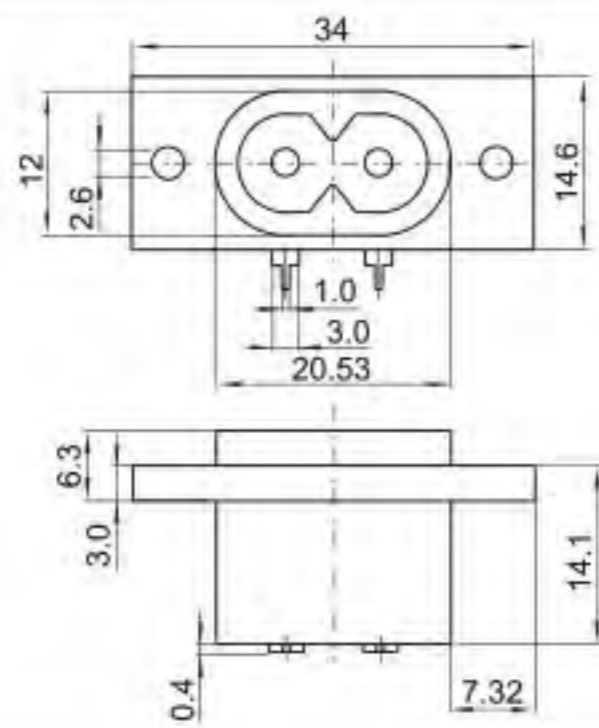
AC-004A



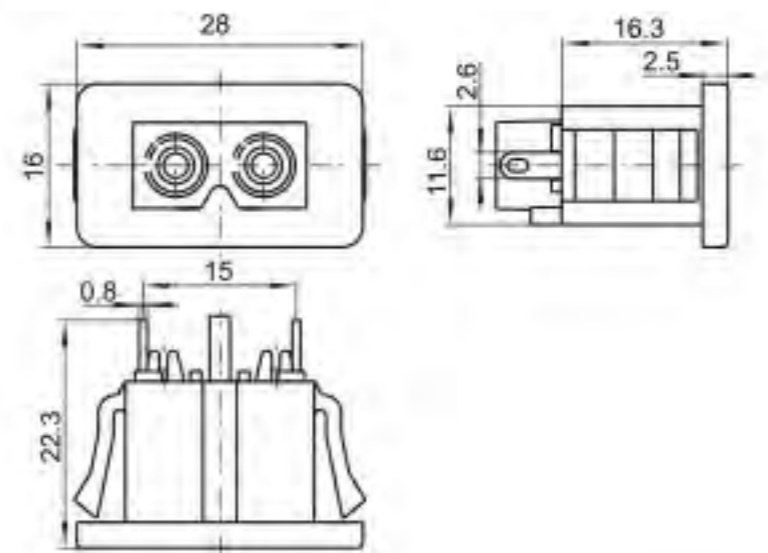
AC-005A



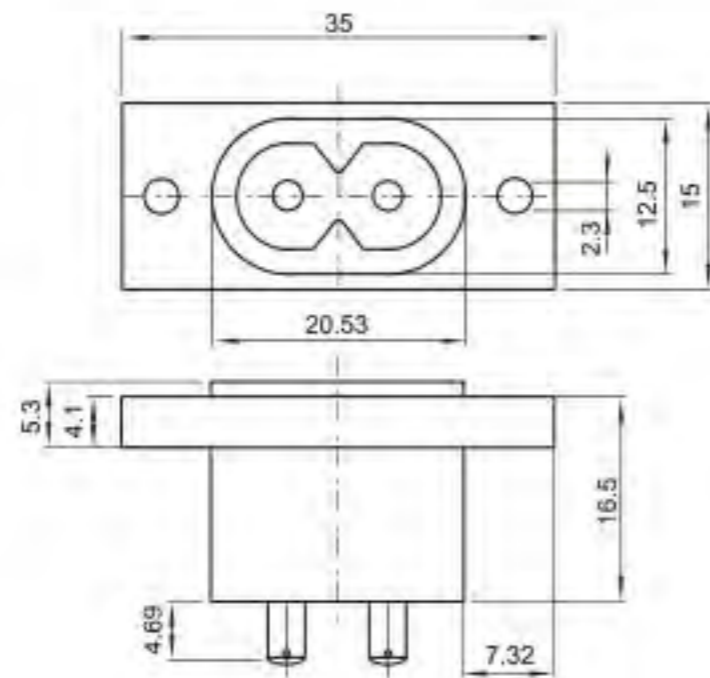
AC-009A



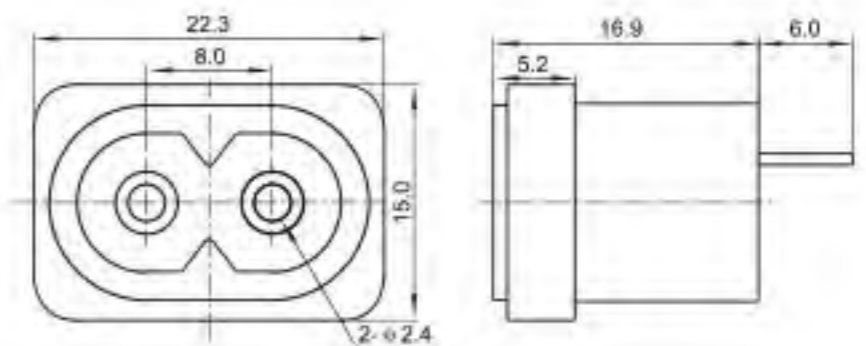
AC-005B



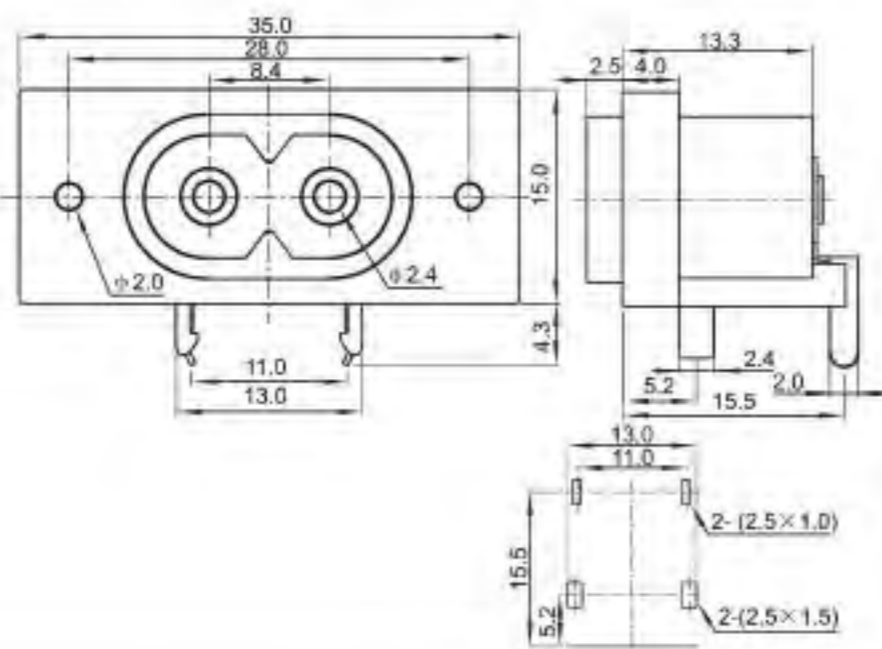
AC-009B



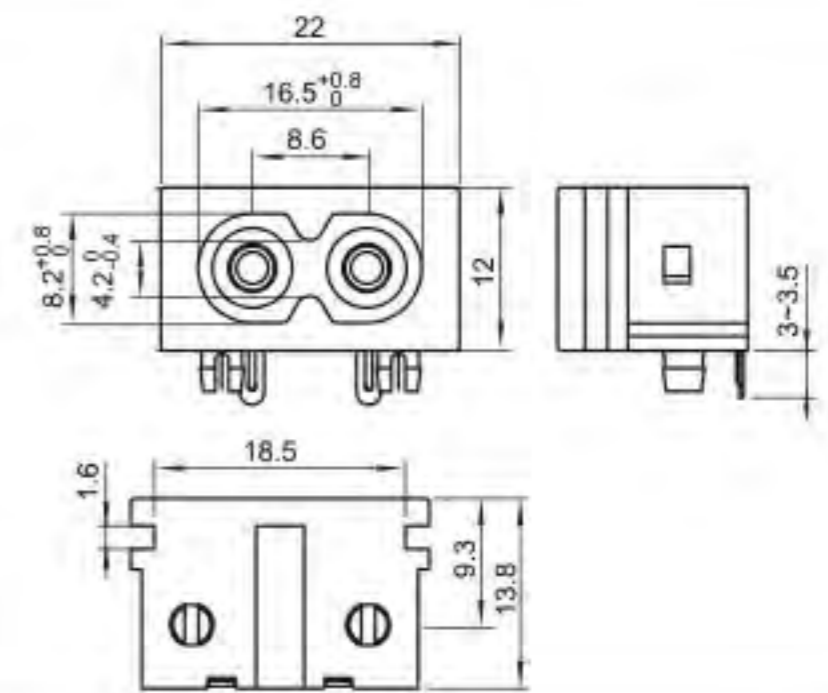
AC-006



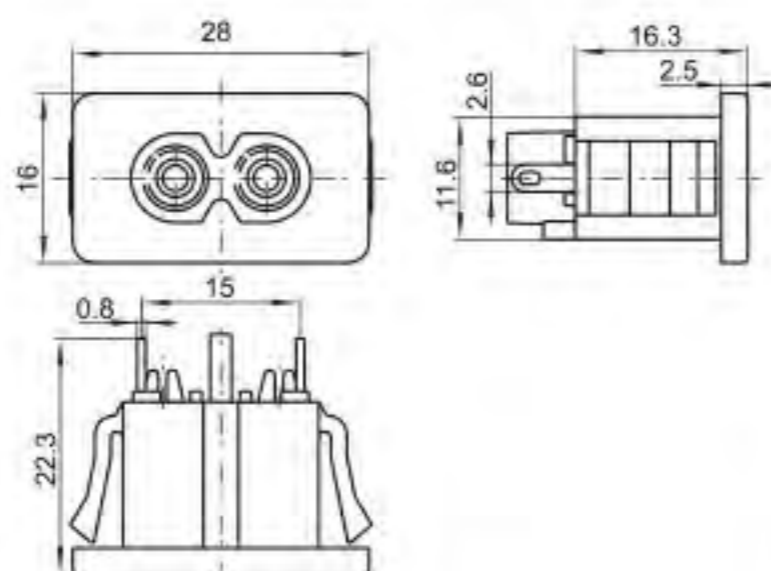
AC-010



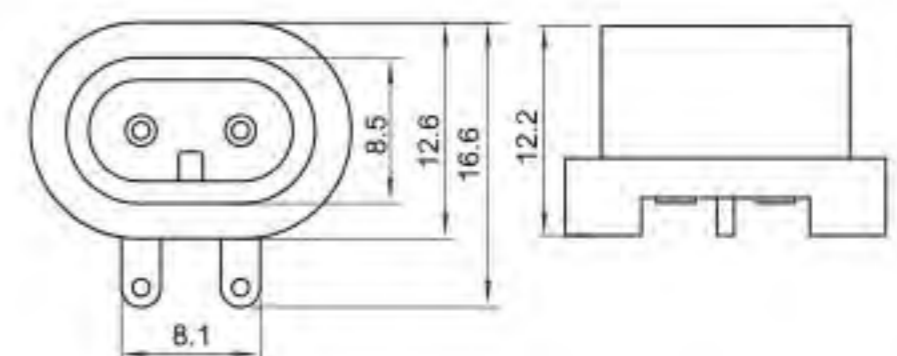
AC-007



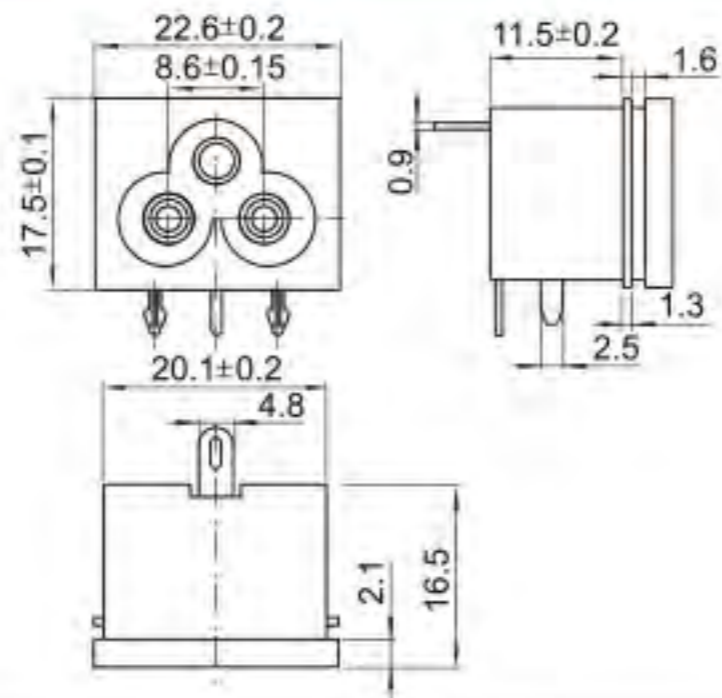
AC-019



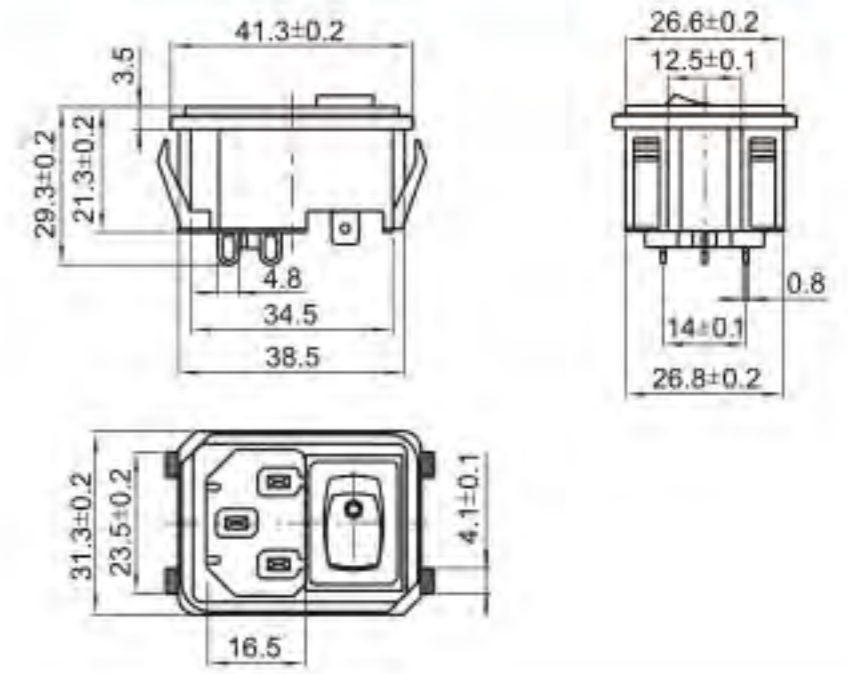
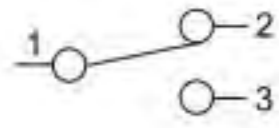
AC-009



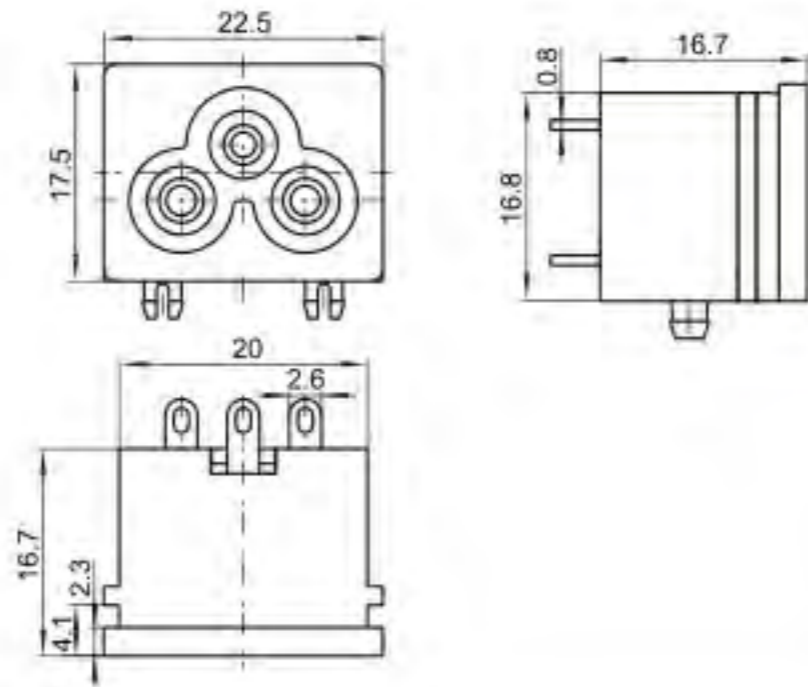
AC-020



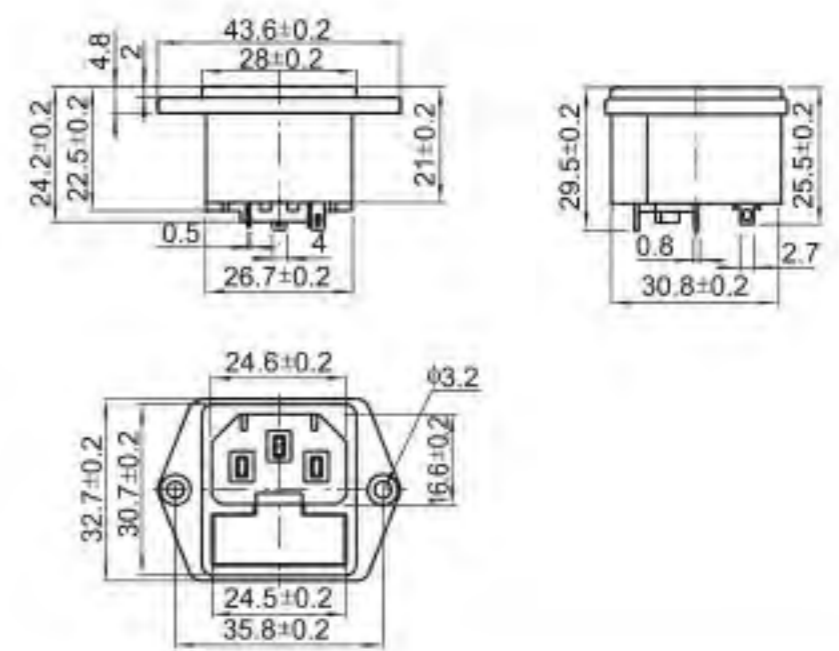
AC-0011



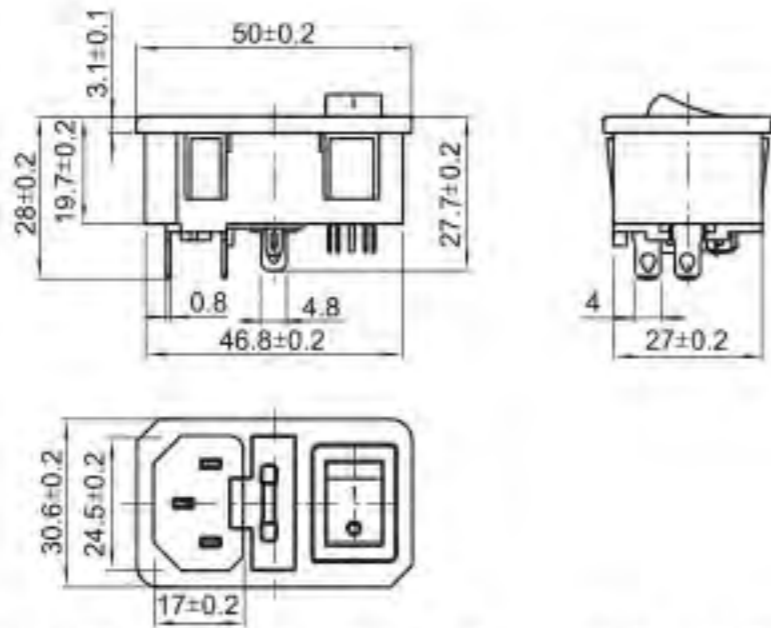
AC-02A



AC-0011B

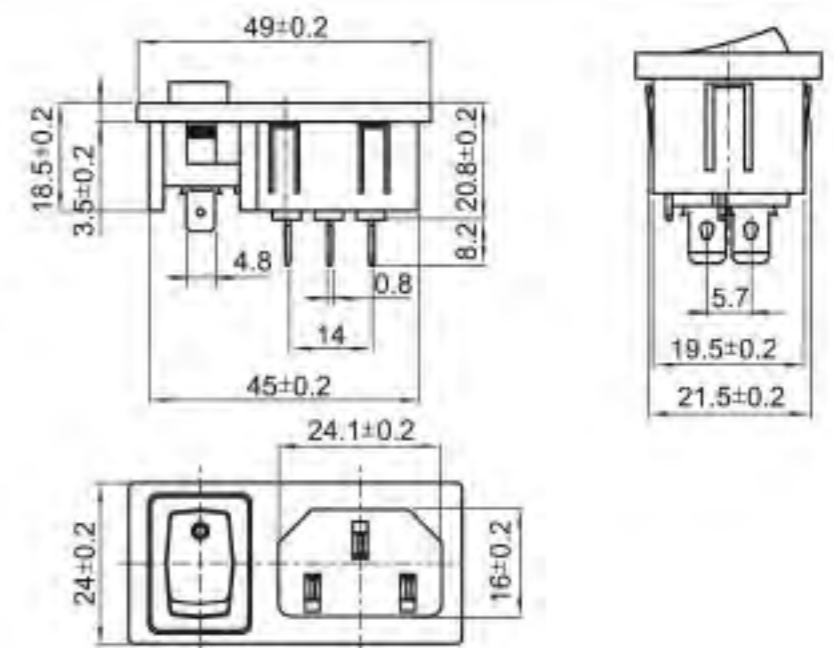


AC-03

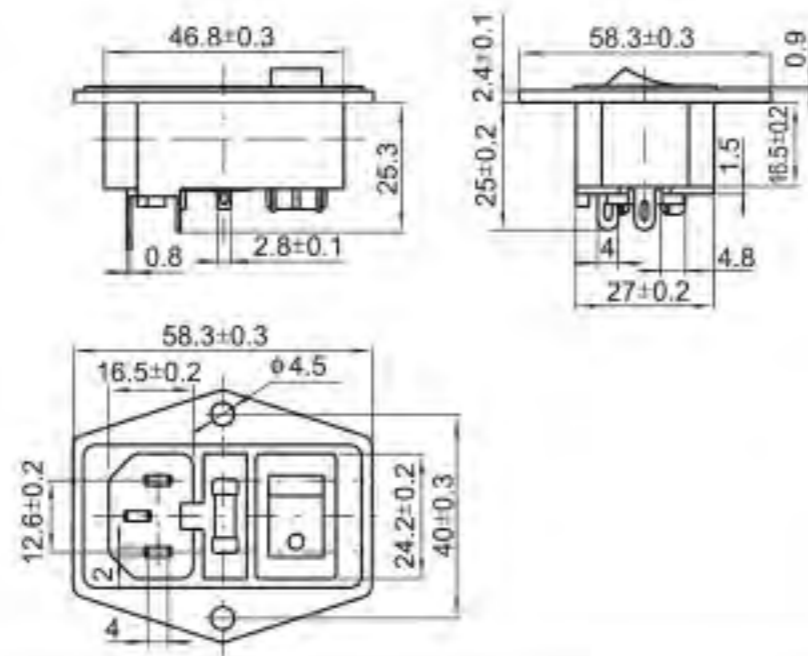


AC-01

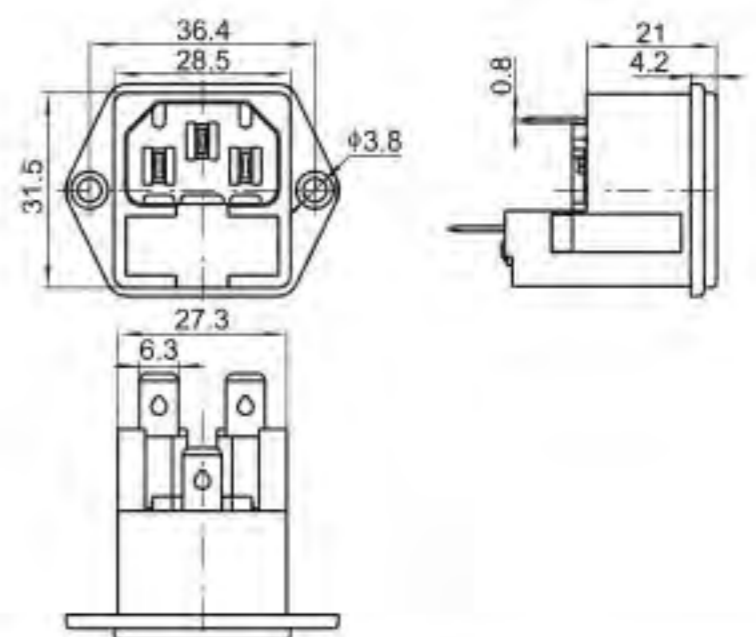
安装间距: 1.0、1.2、1.5、2.0、2.5



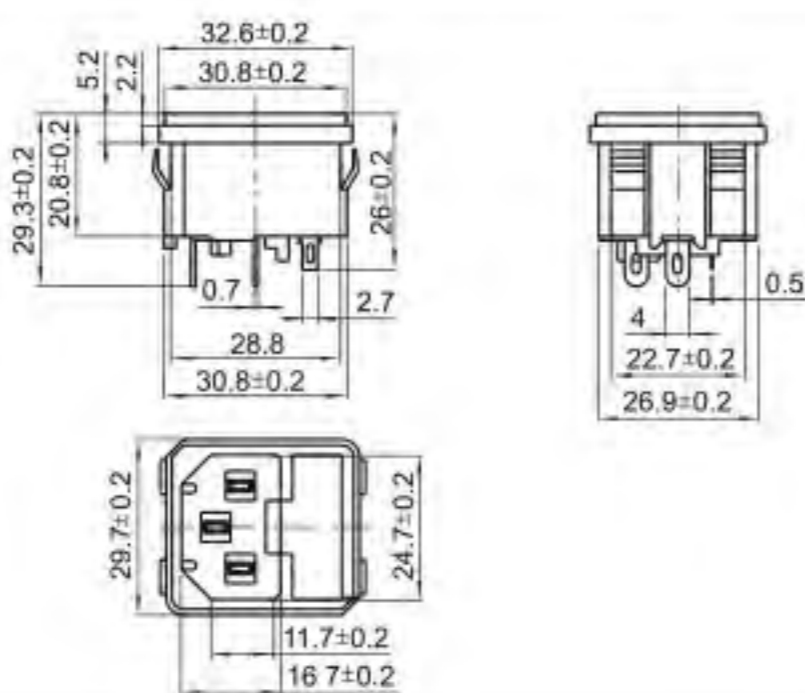
AC-03A



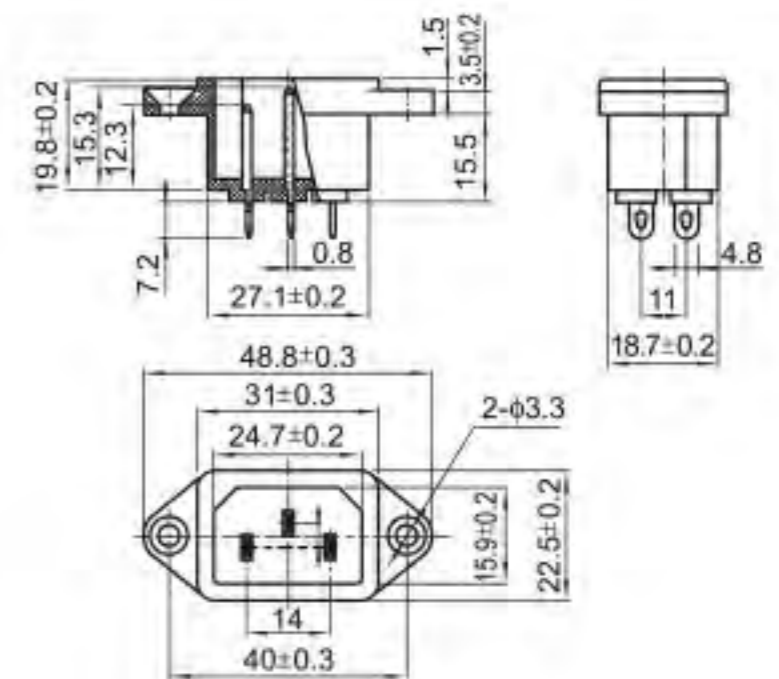
AC-01A



AC-03B



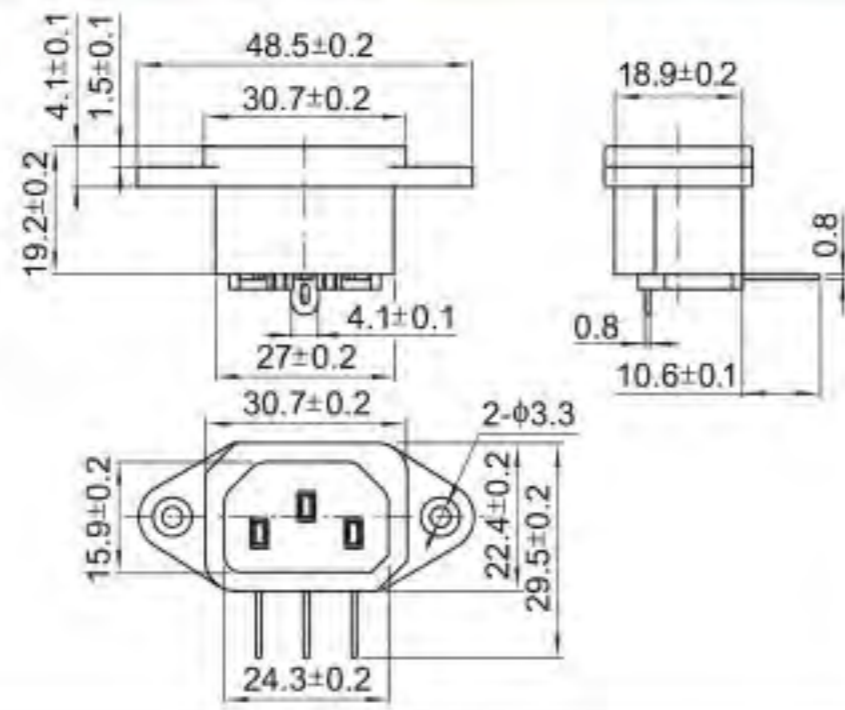
AC-02



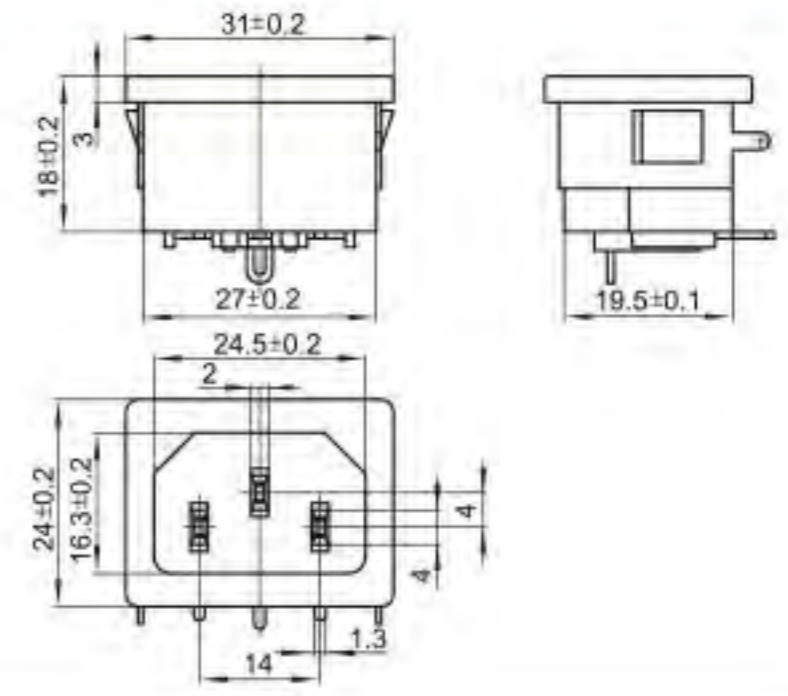
AC-04



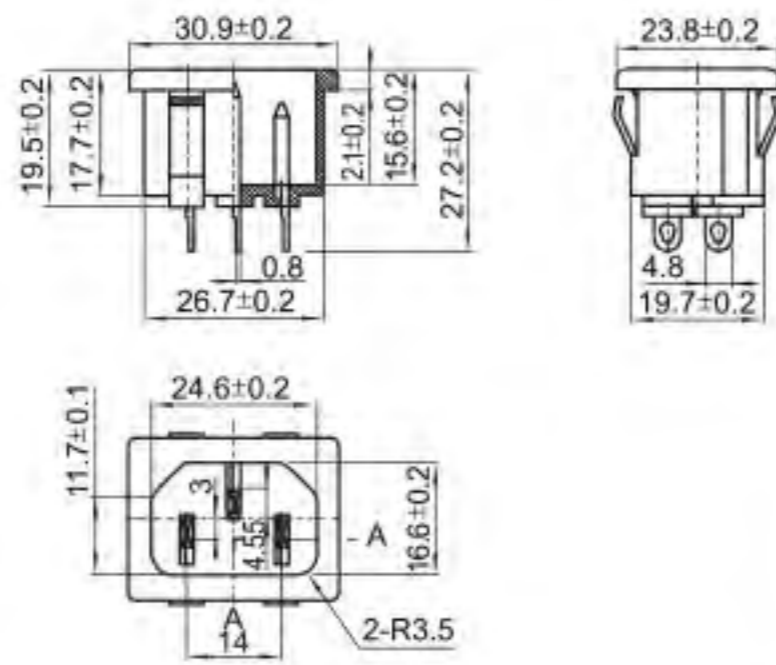
AC-04A



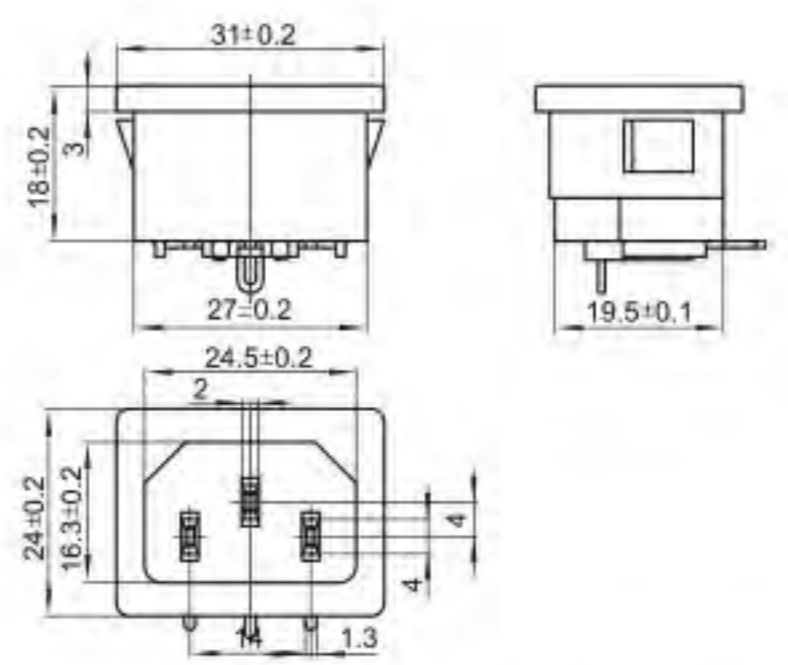
AC-05D



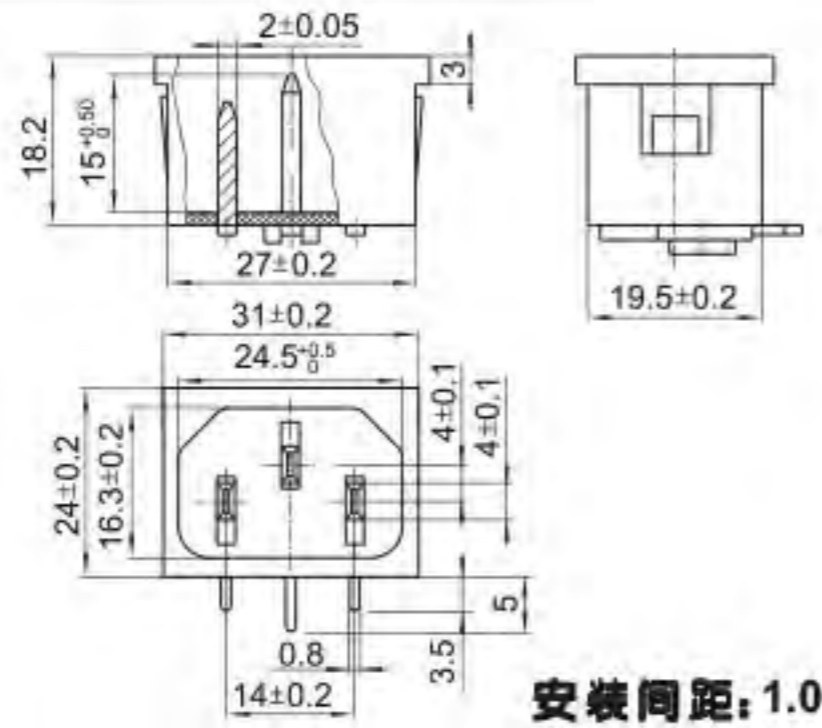
AC-05



AC-05E



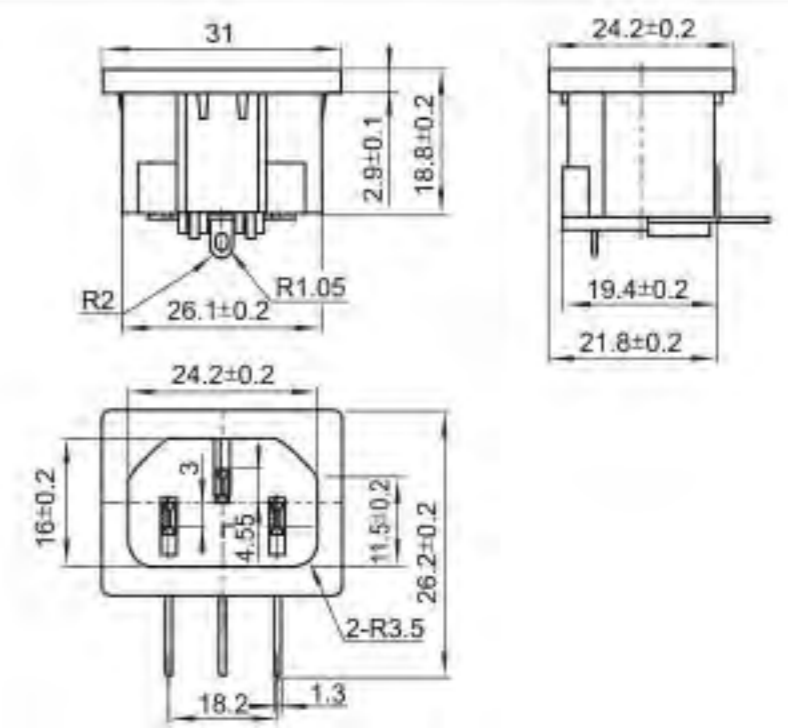
AC-05A



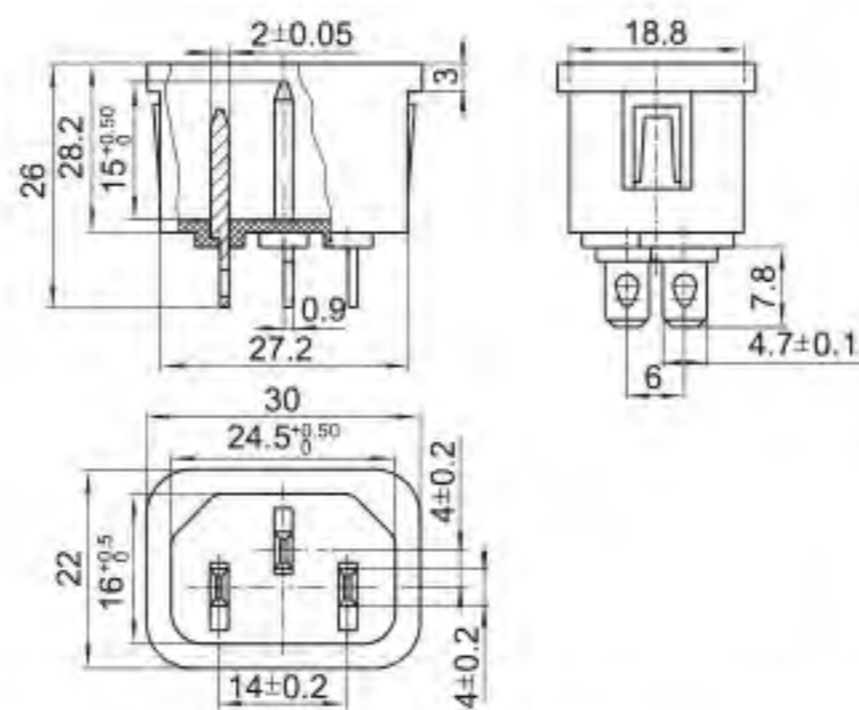
安装间距: 1.0



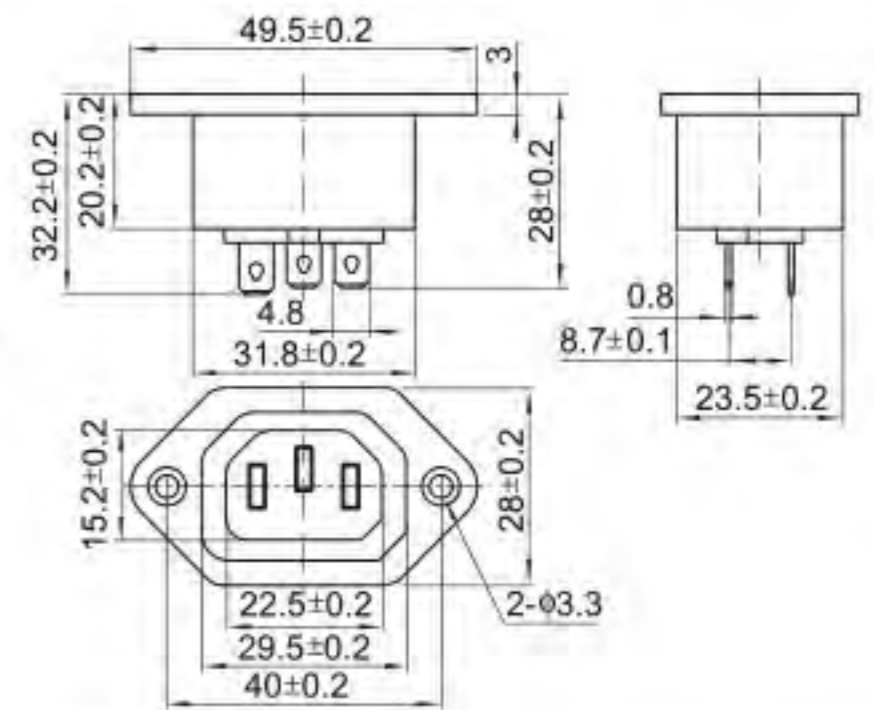
AC-05F



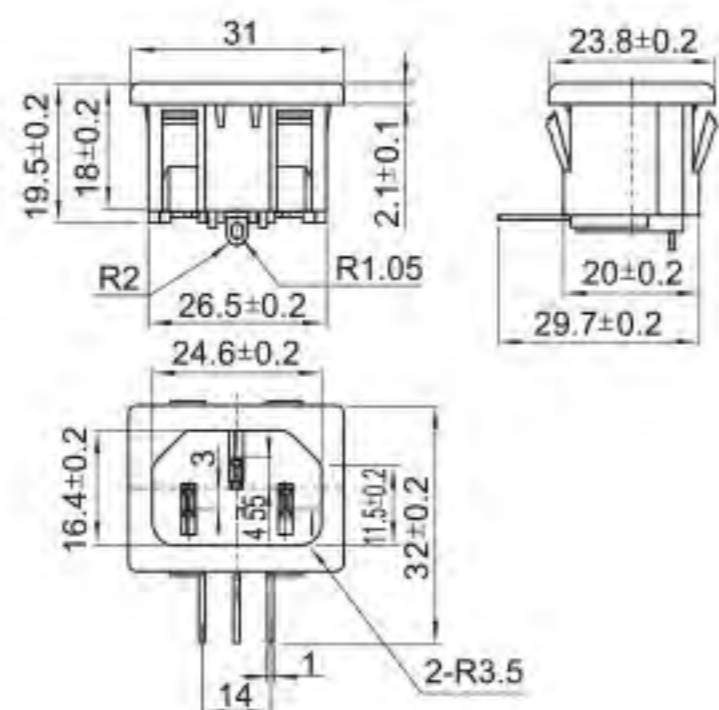
AC-05B



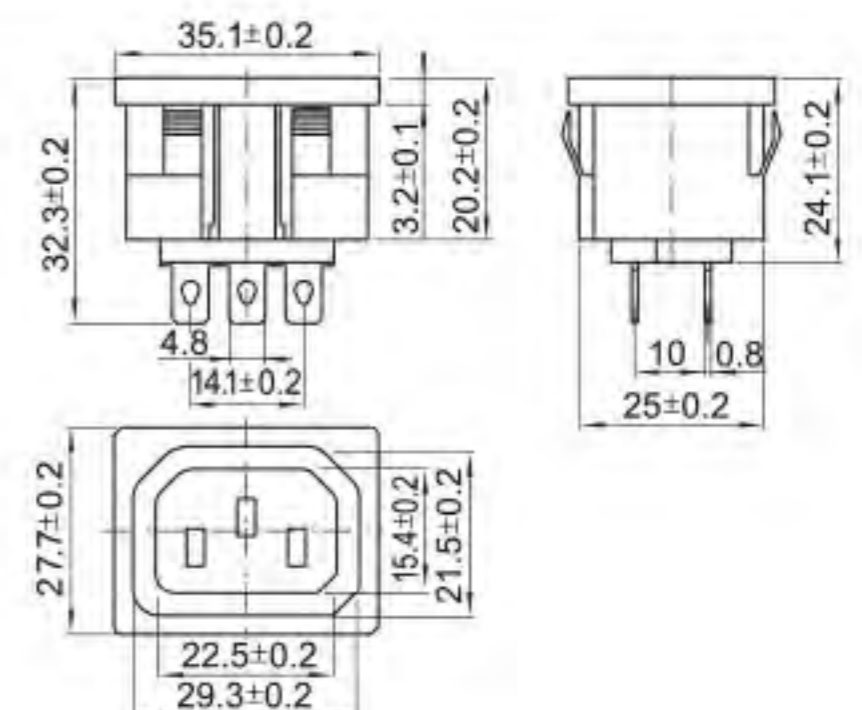
AC-06

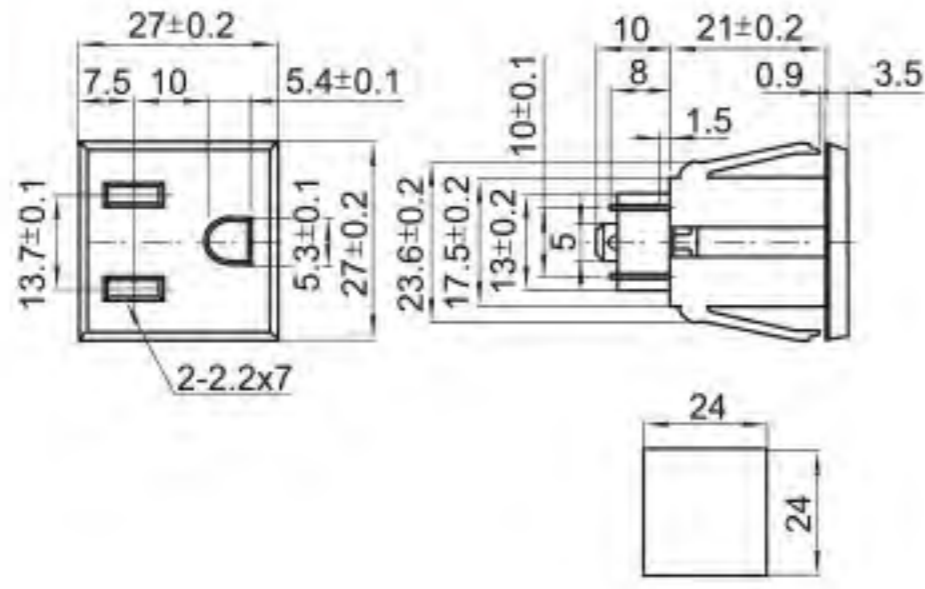


AC-05C

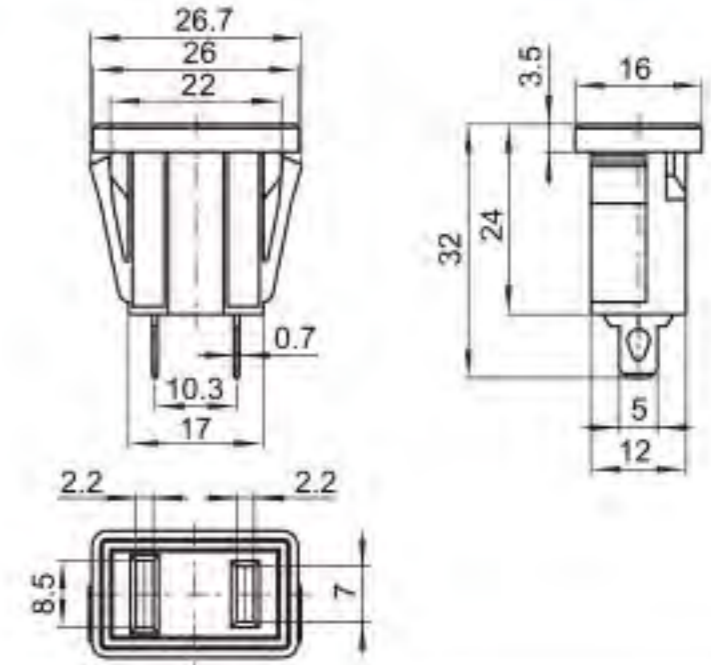


AC-06A

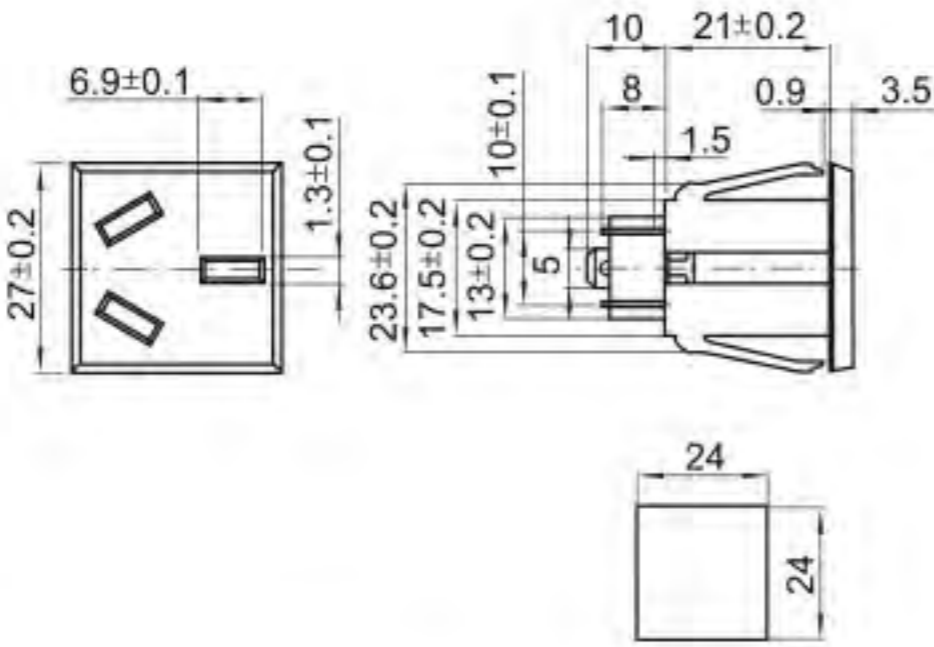




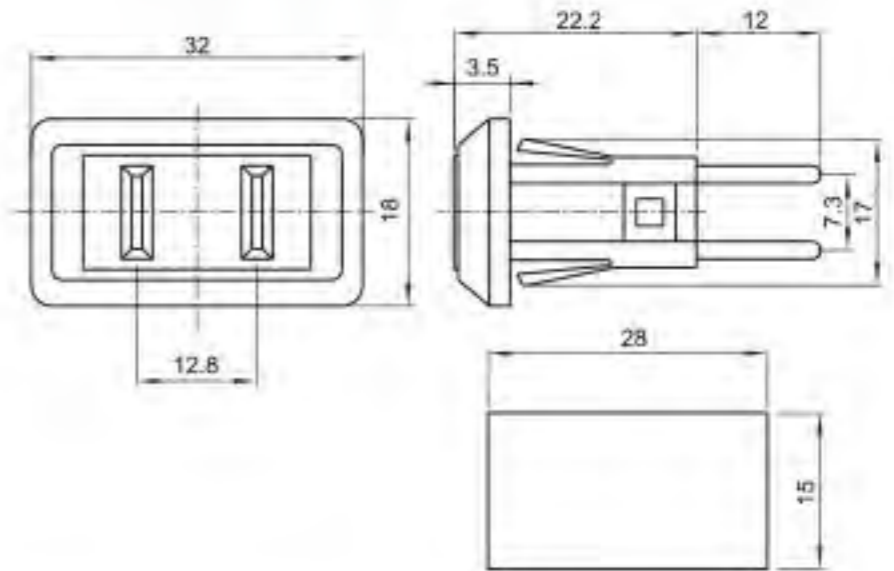
AC-07



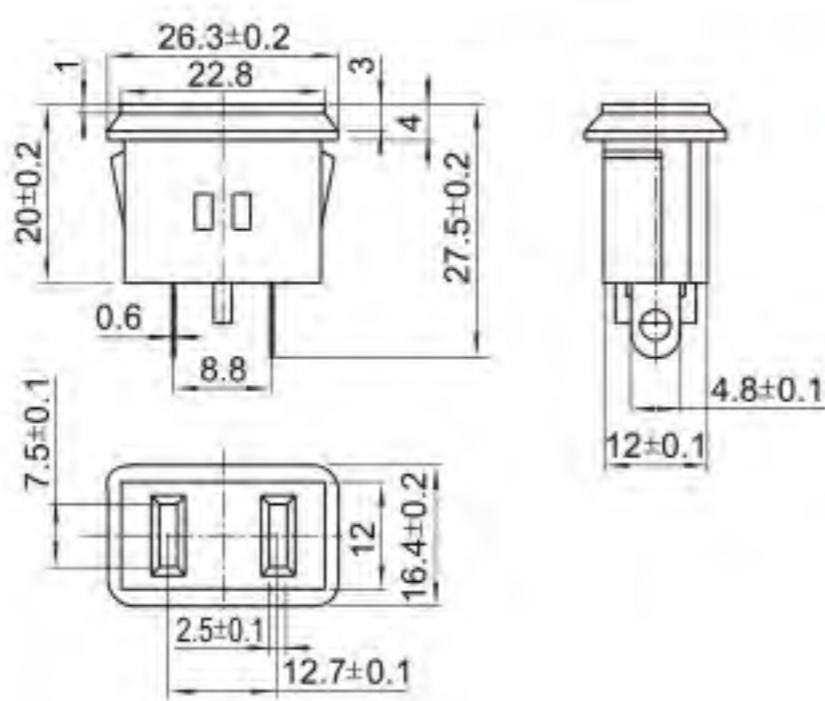
AC-09C



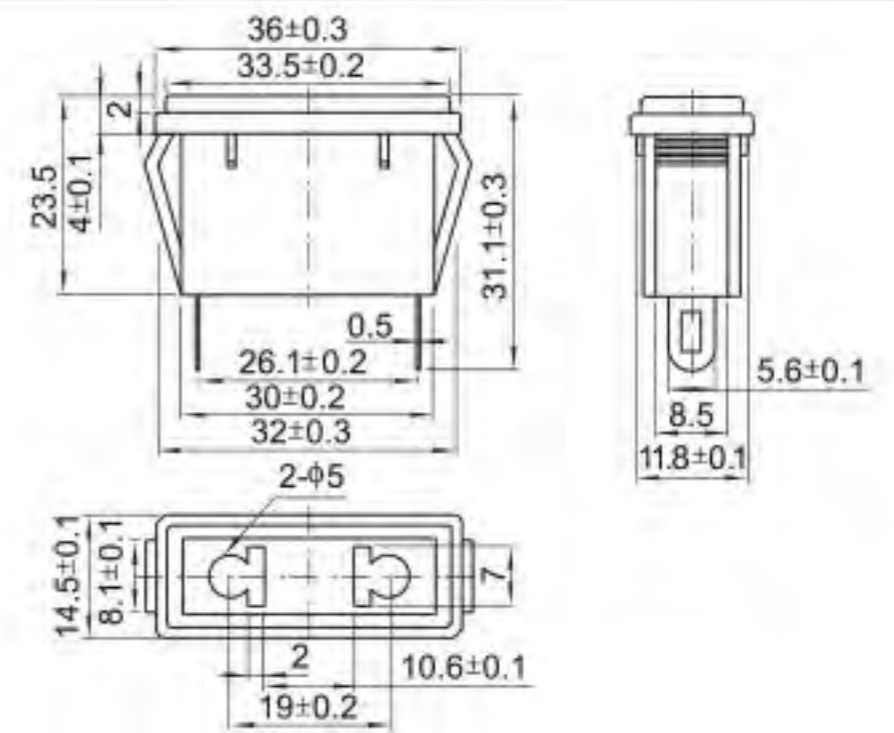
AC-08



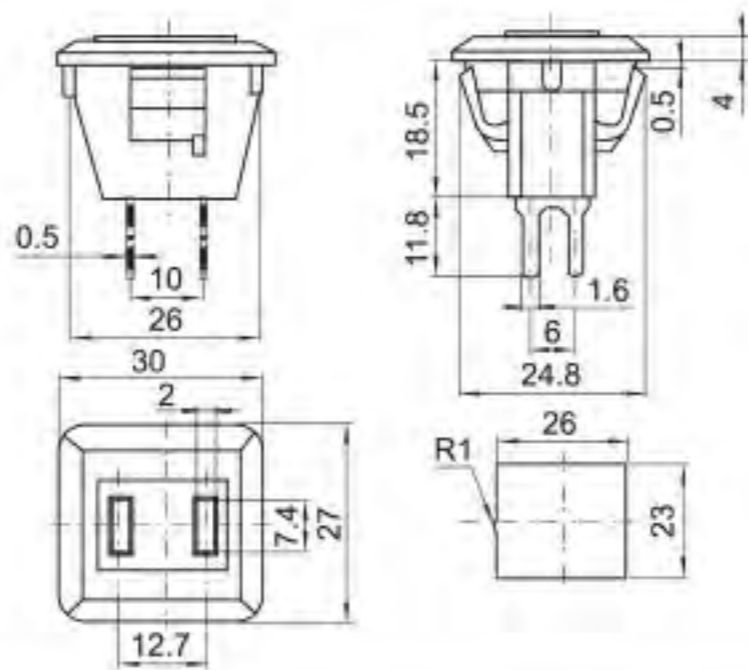
AC-09D



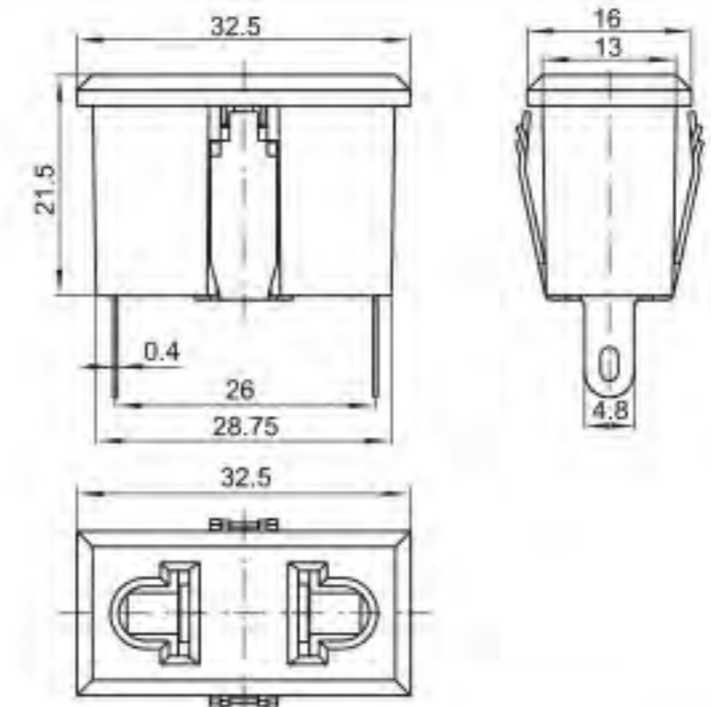
AC-09



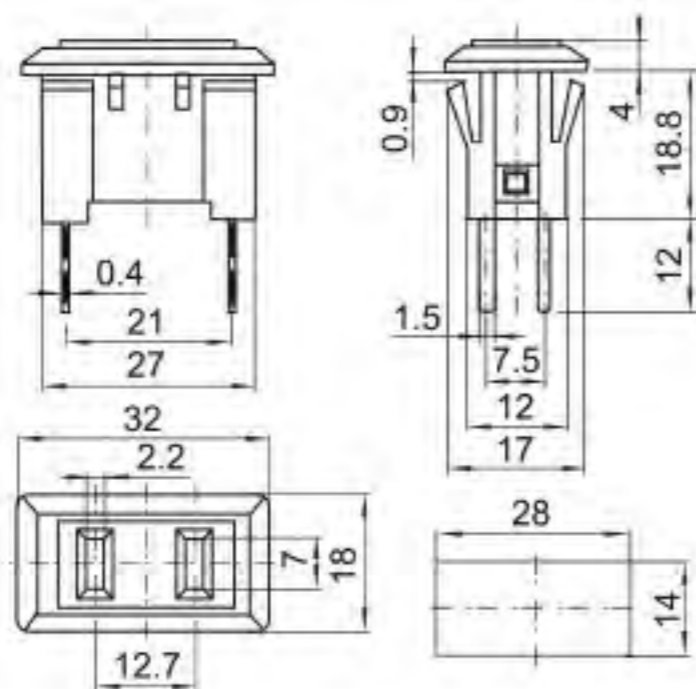
AC-010



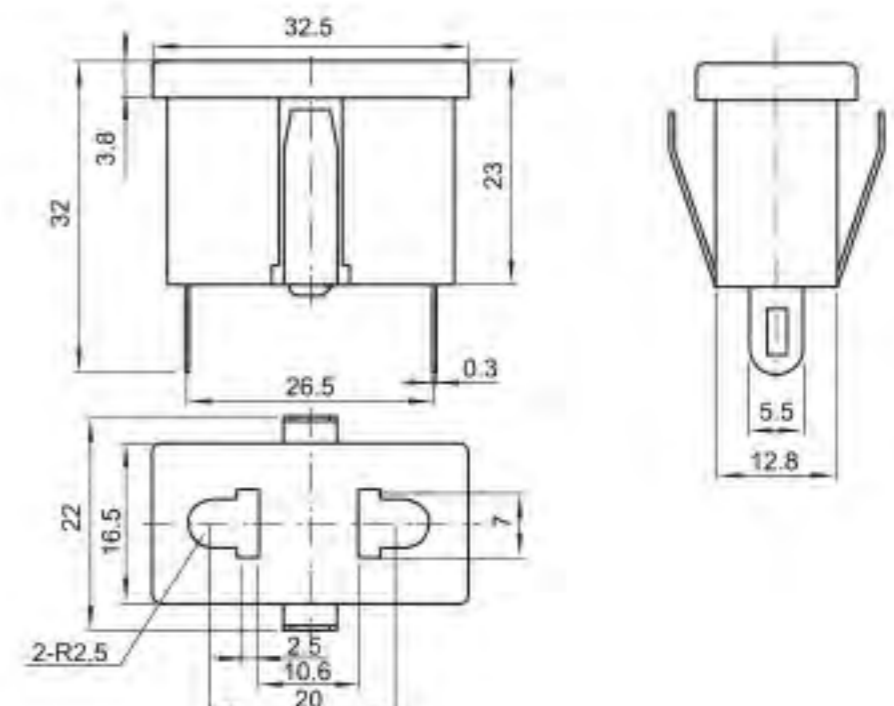
AC-09A



AC-010A



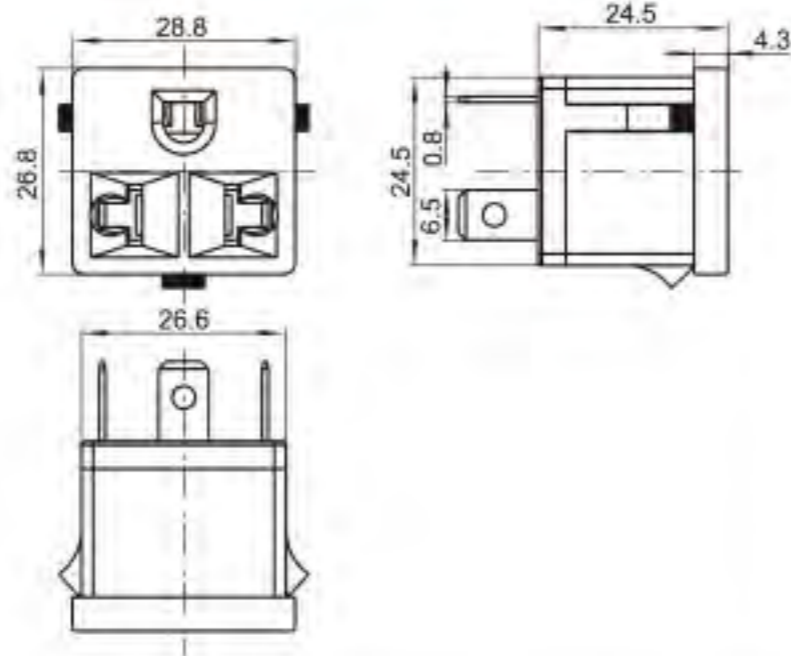
AC-09B



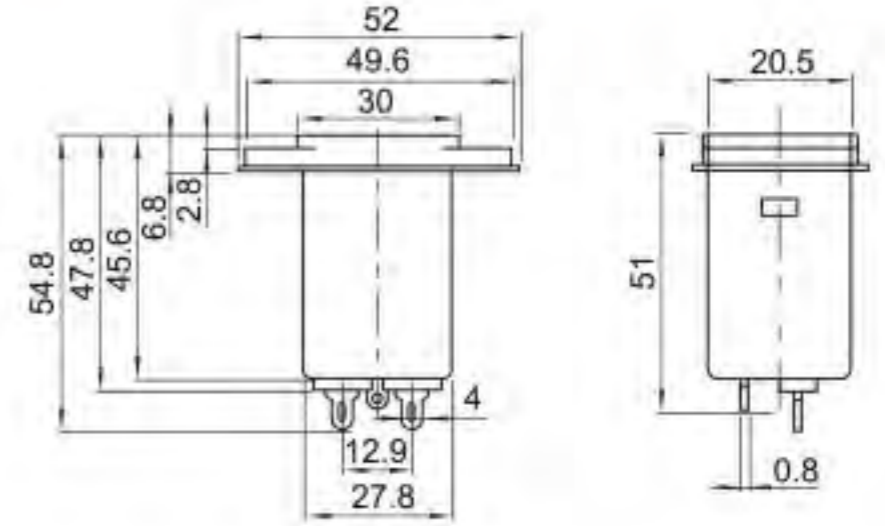
AC-010B



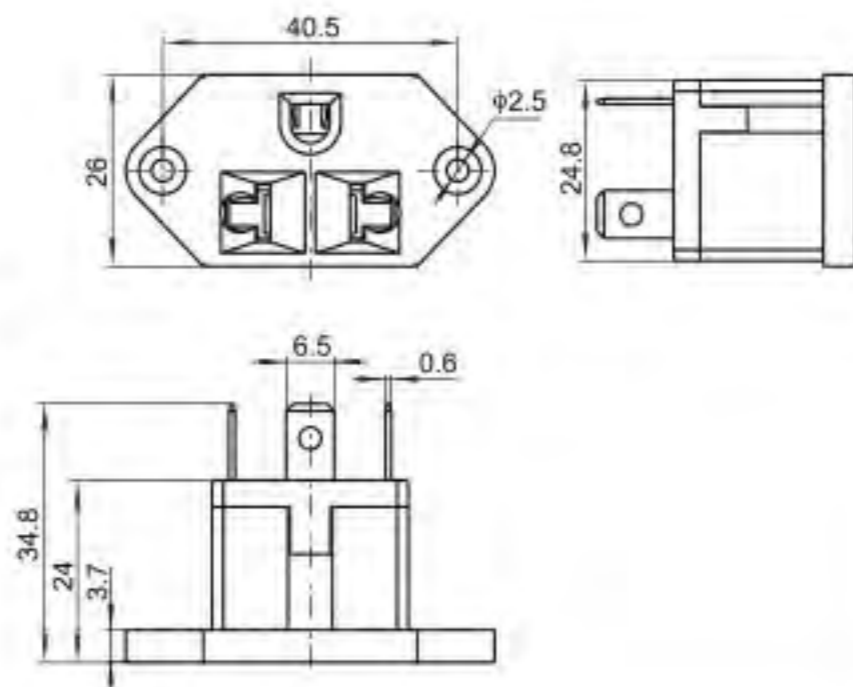
AC-011



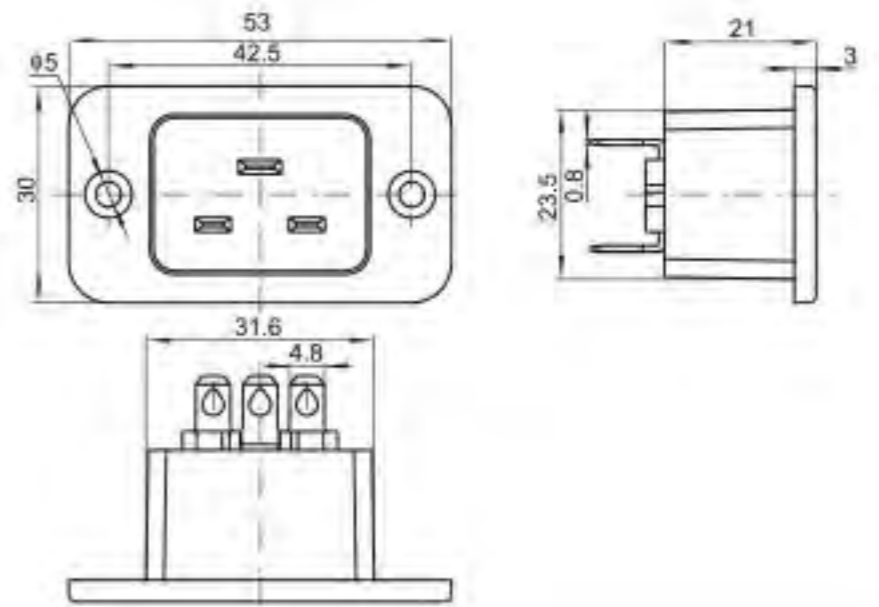
AC-016



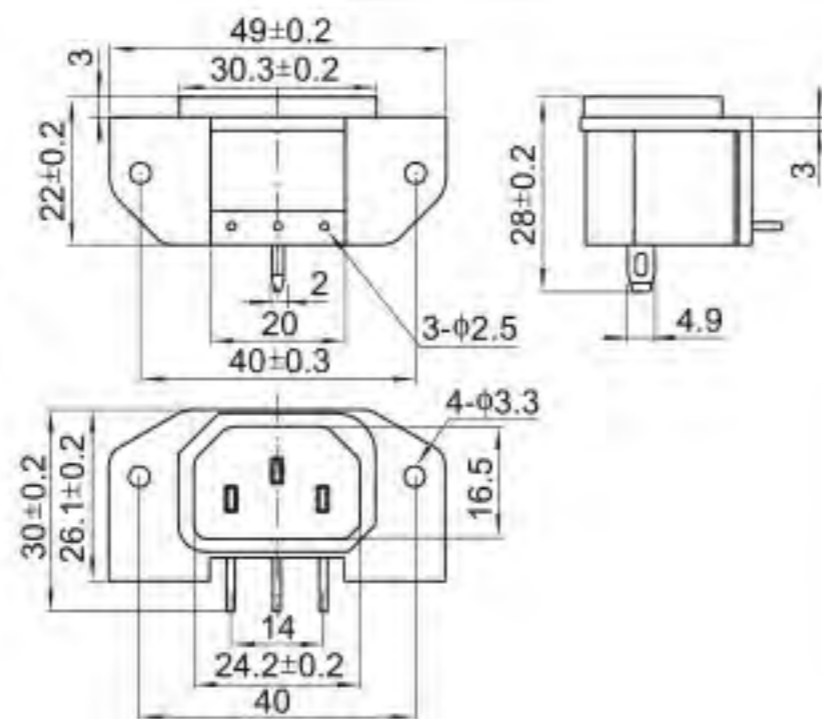
AC-012



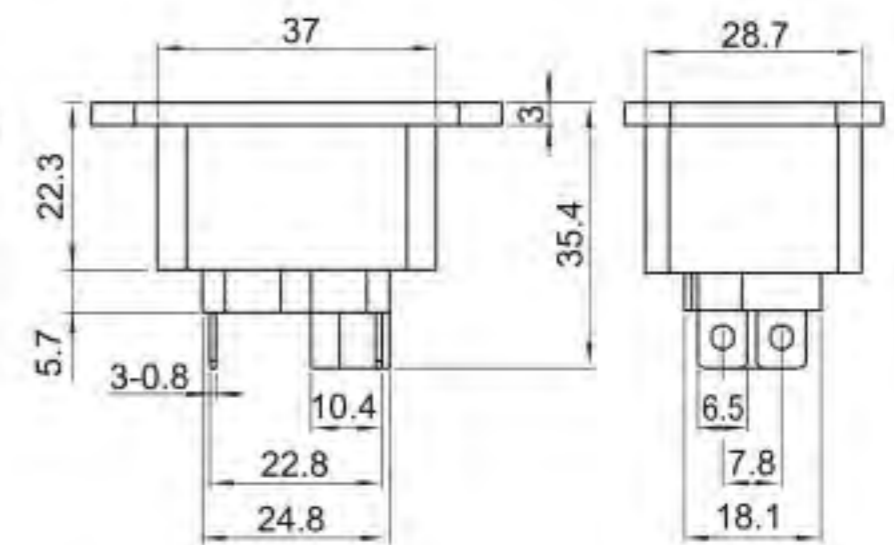
AC-017



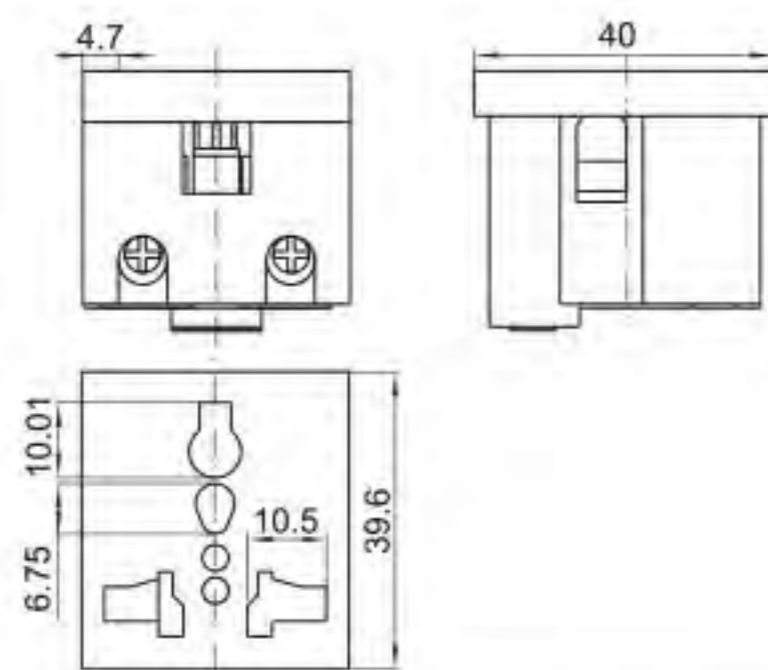
AC-013



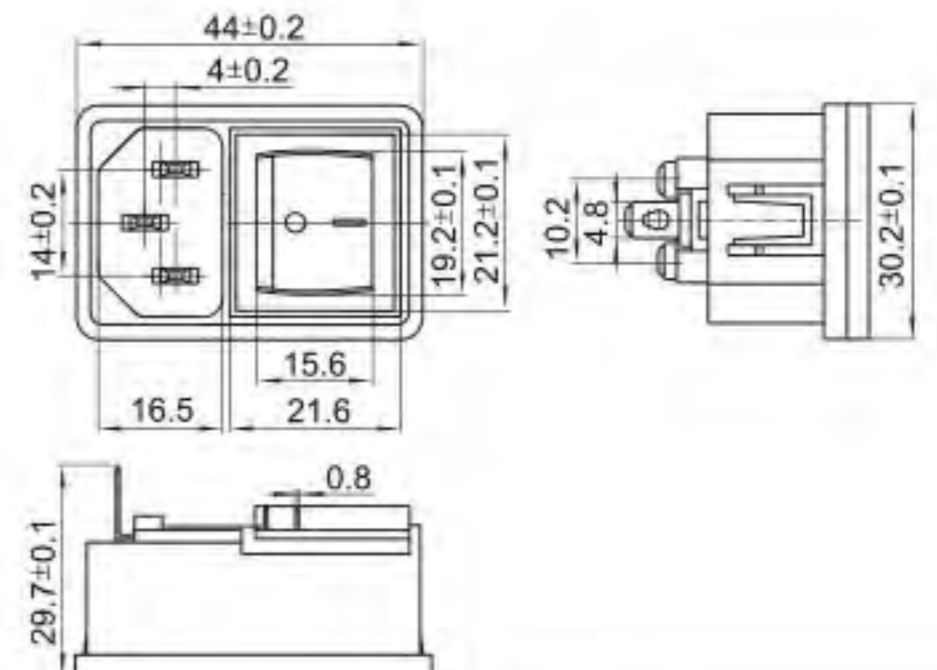
AC-017B



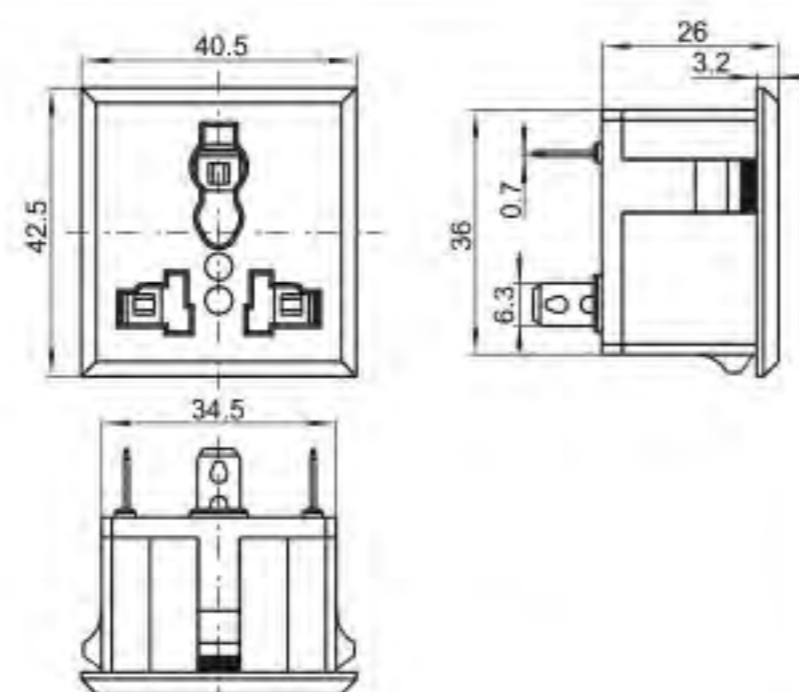
AC-014



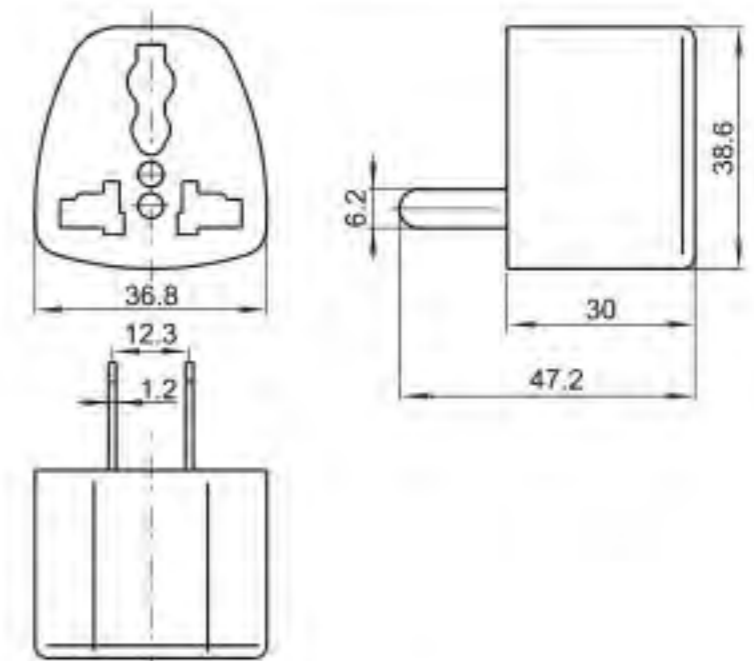
AC-018

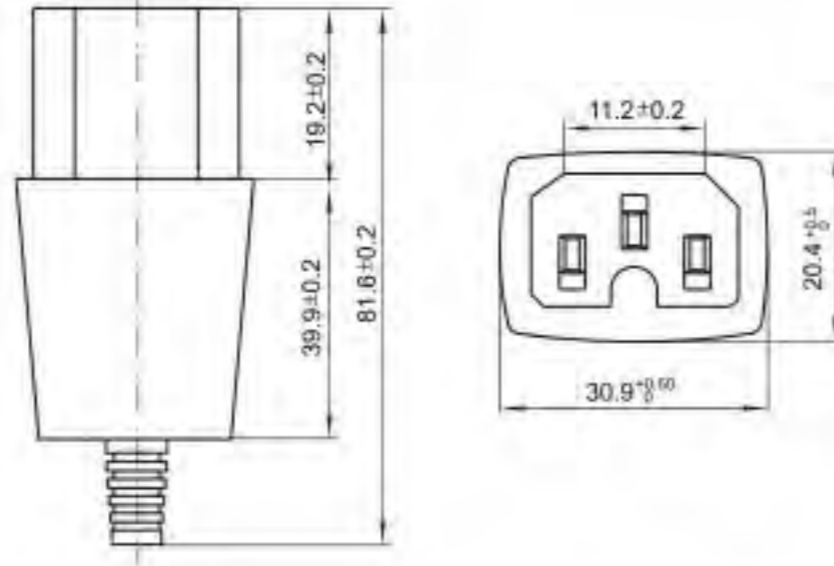


AC-015

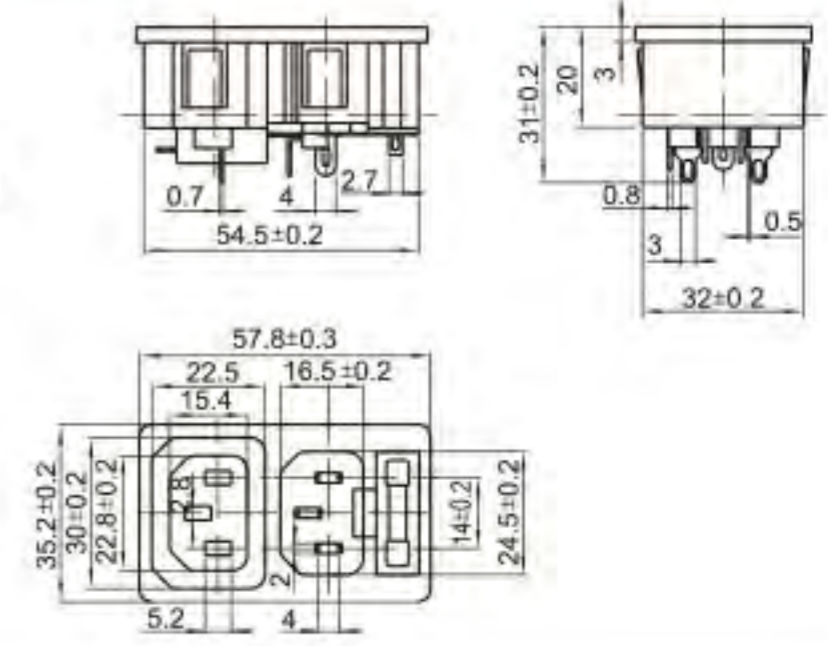


AC-019

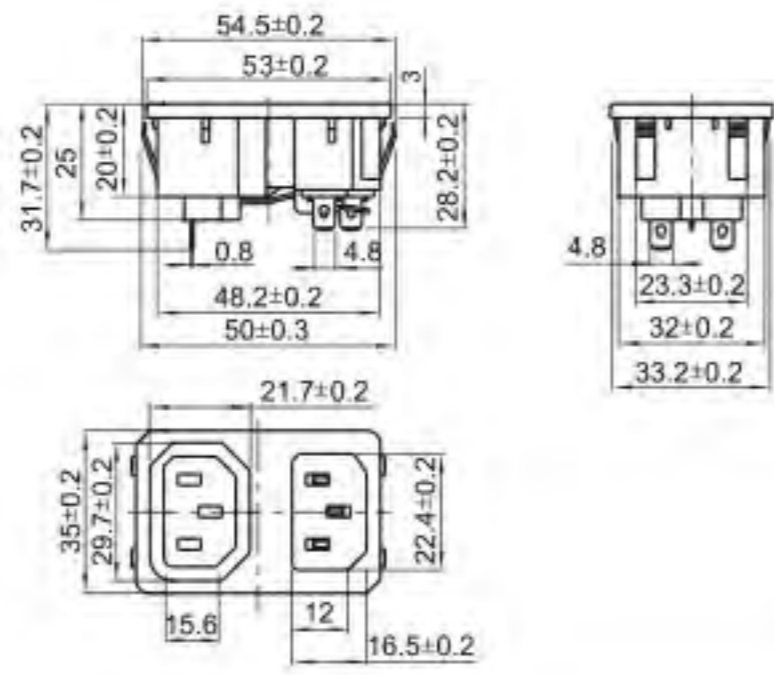




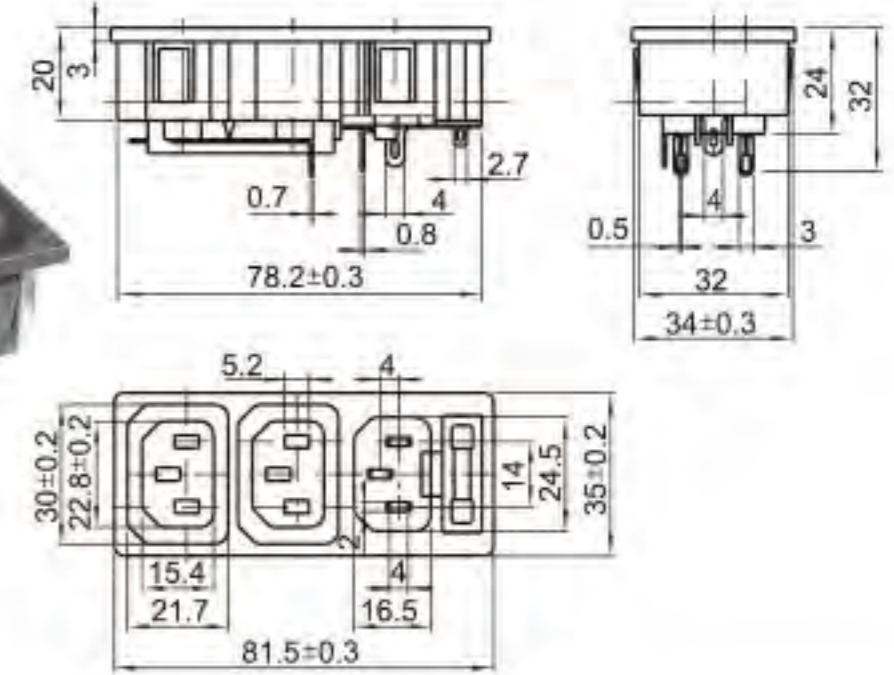
AC-020A



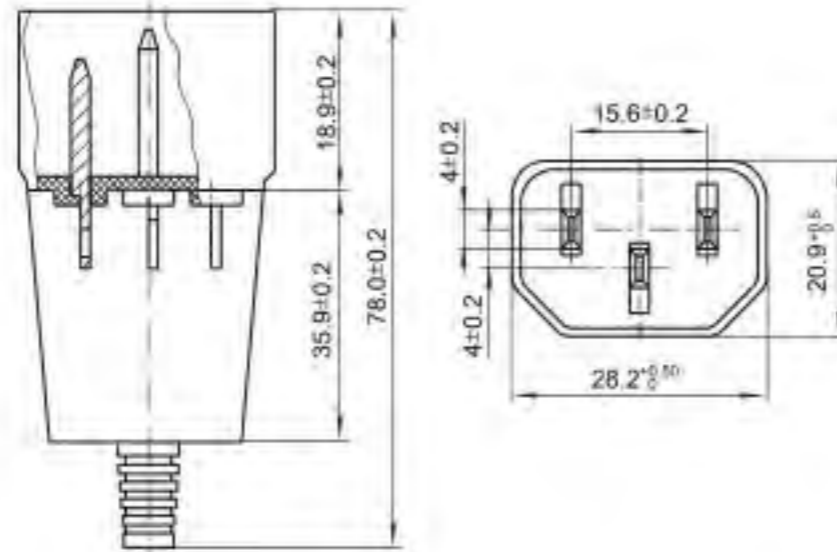
AC-022A



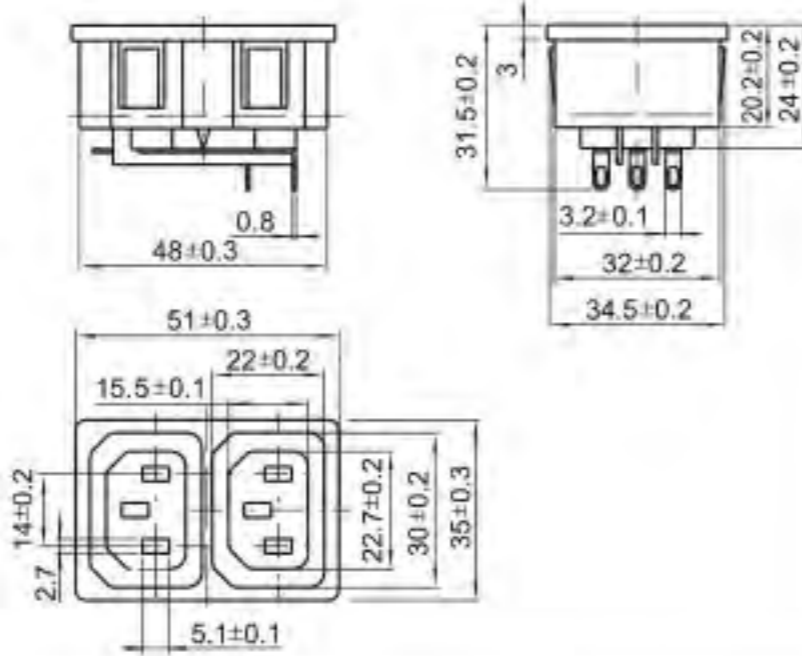
AC-020A



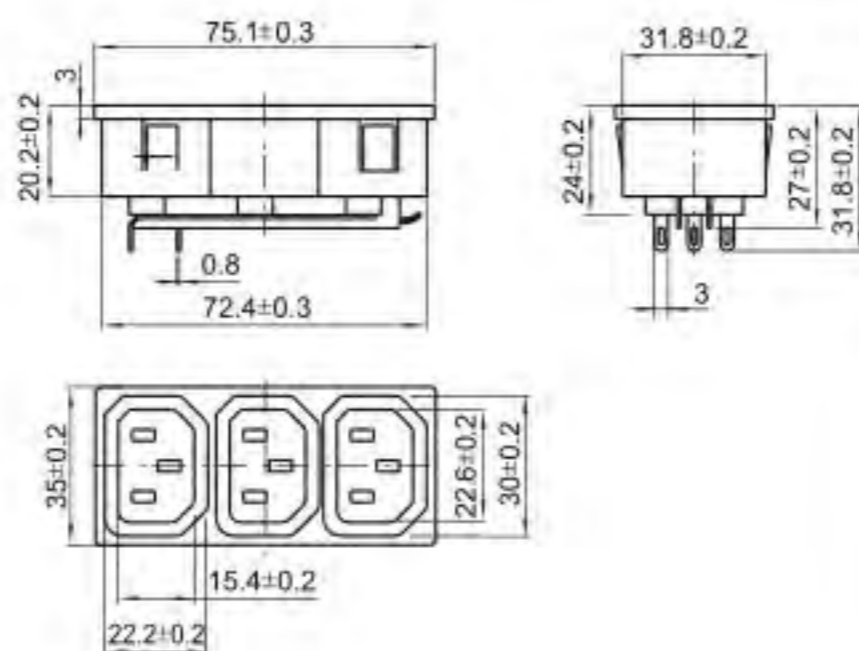
AC-022B



AC-020B



AC-021

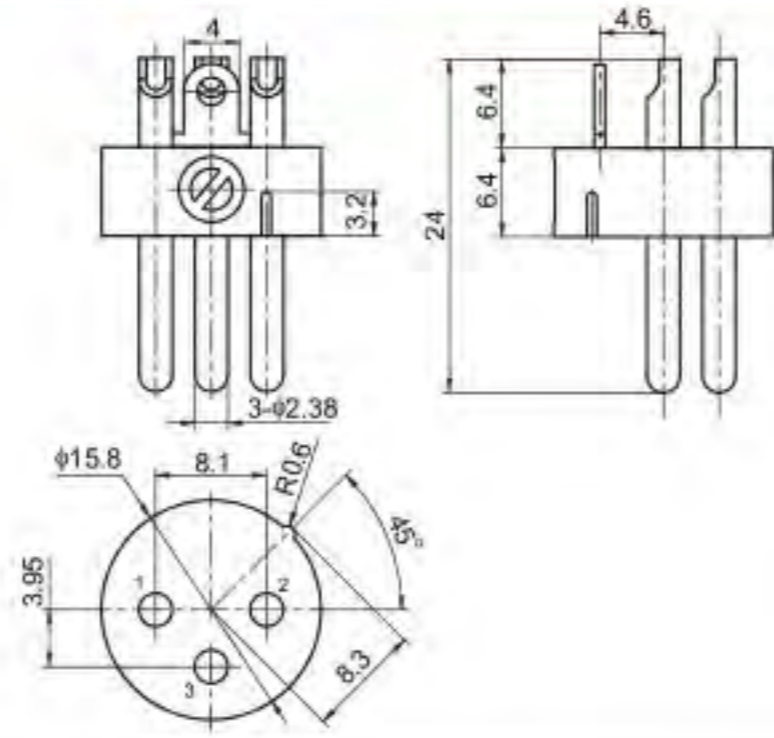


AC-022

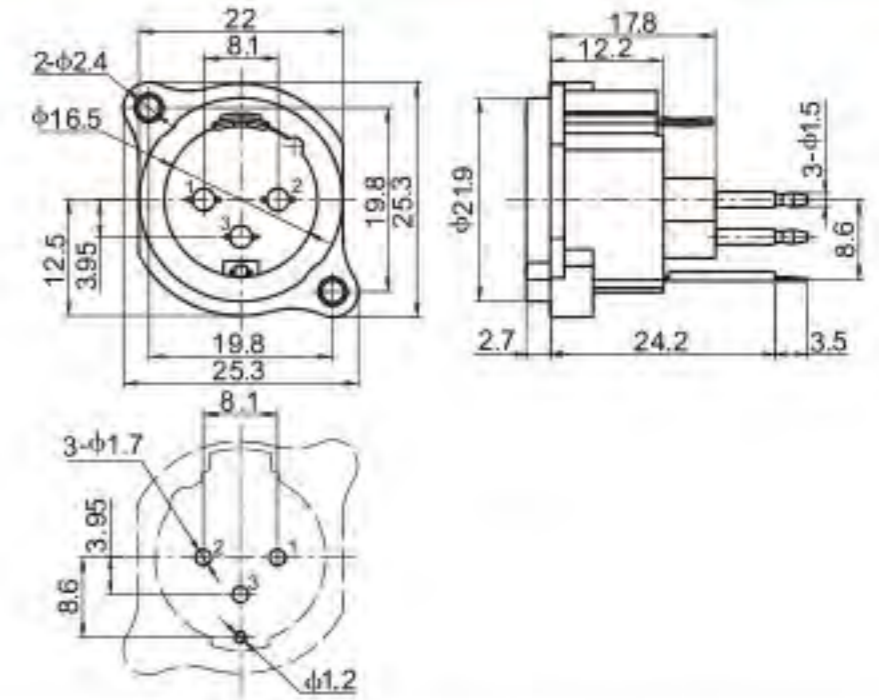




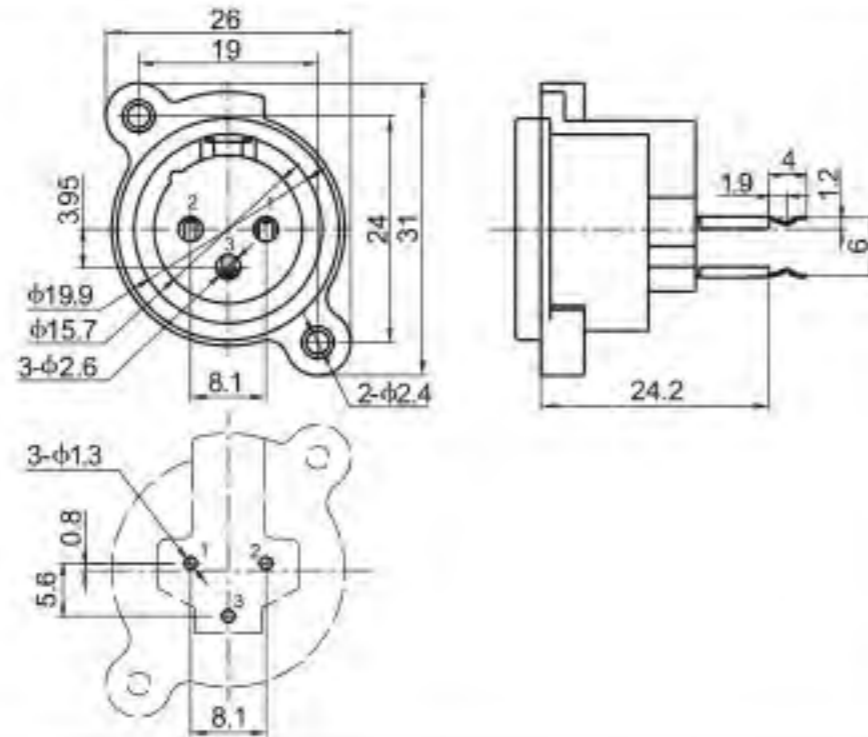
CT3-01HM



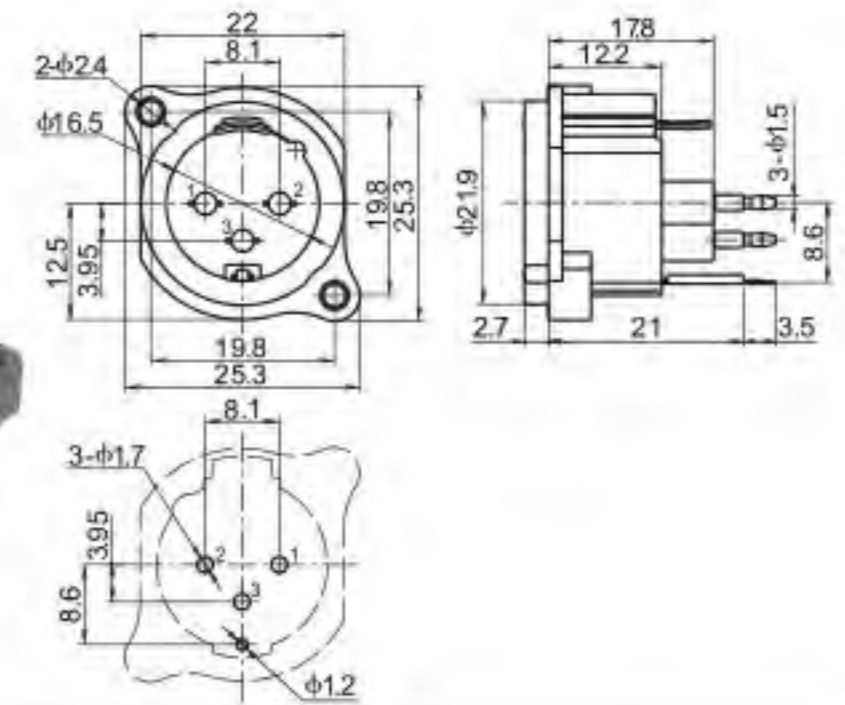
CT3-03HM



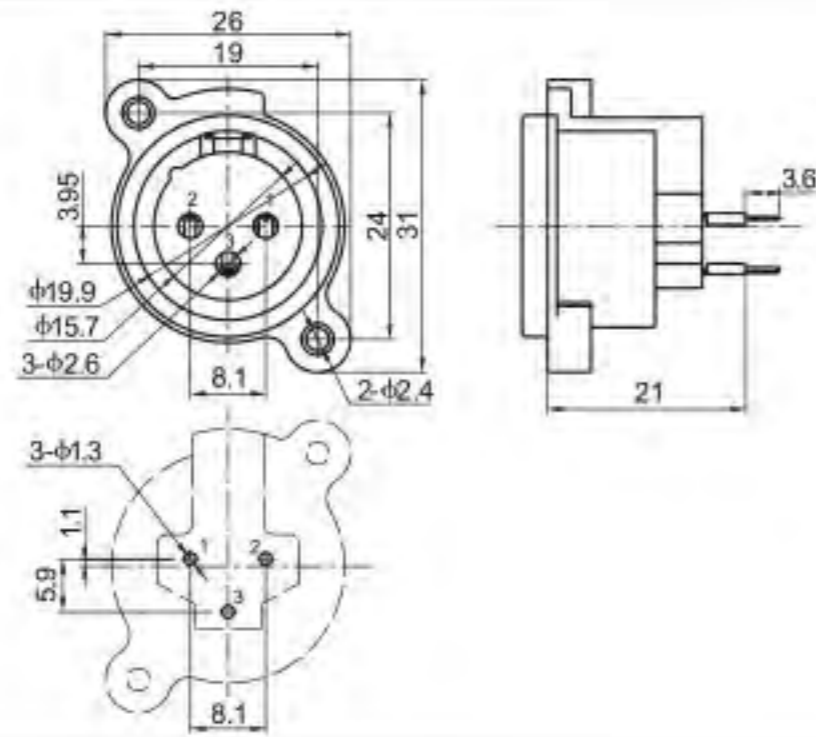
CT3-02HF



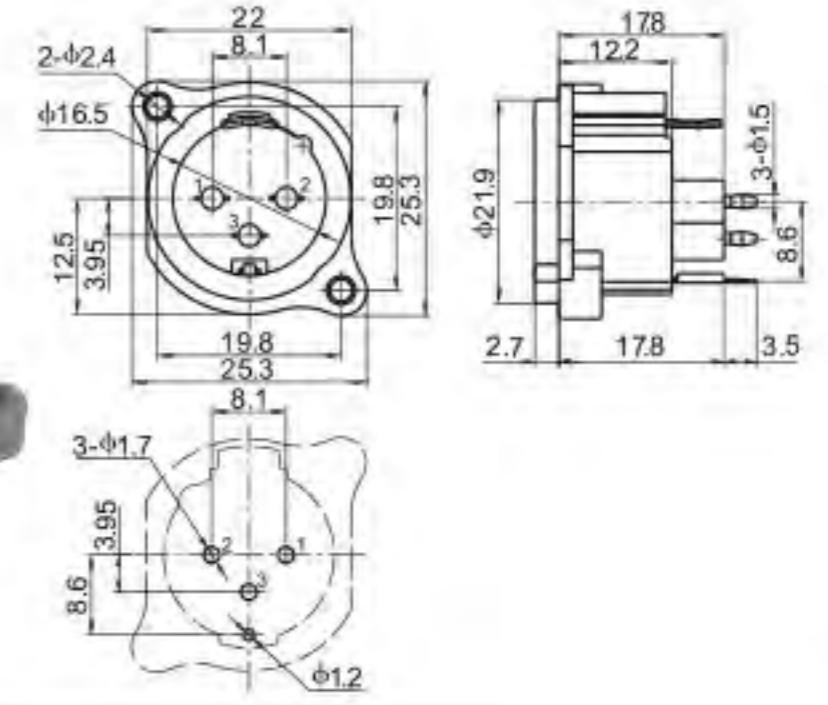
CT3-03HMA



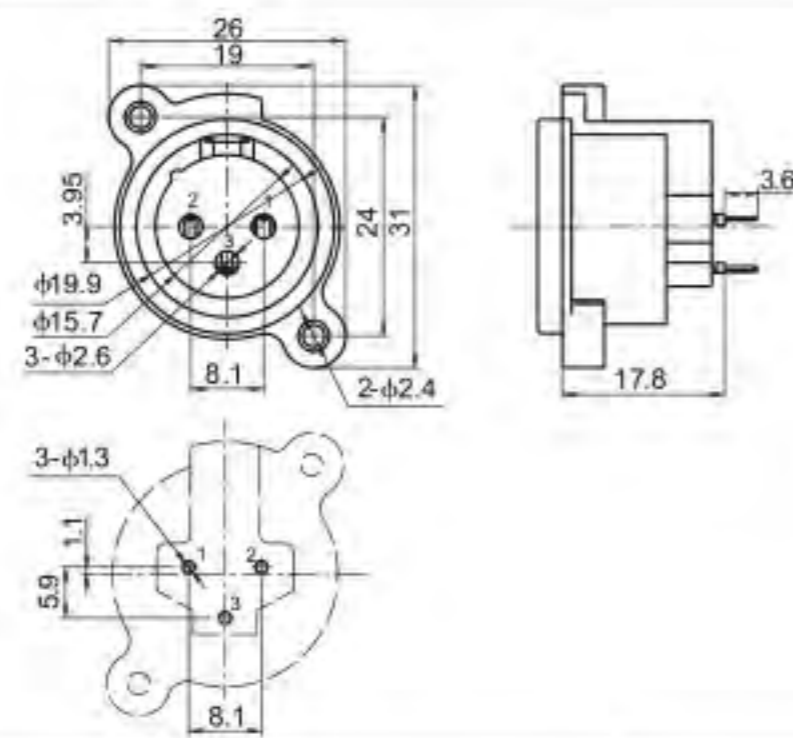
CT3-02HFA



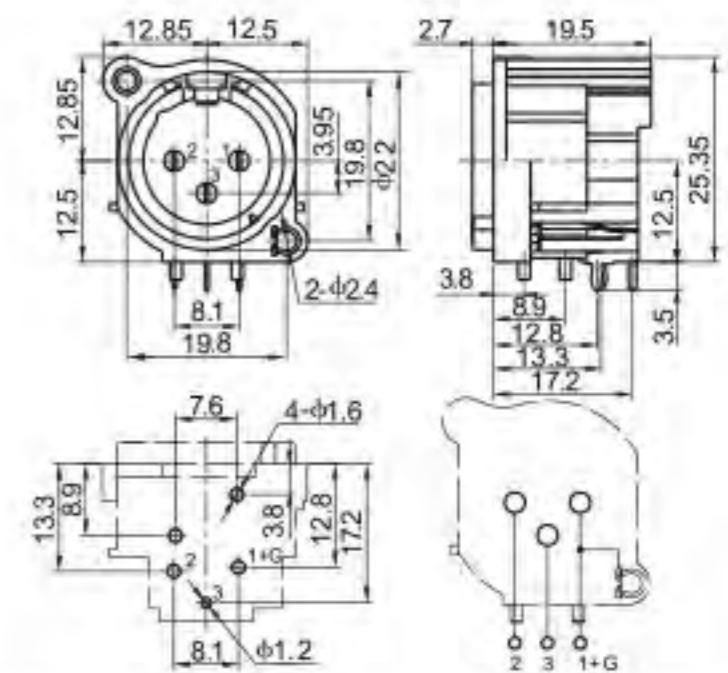
CT3-03HMD



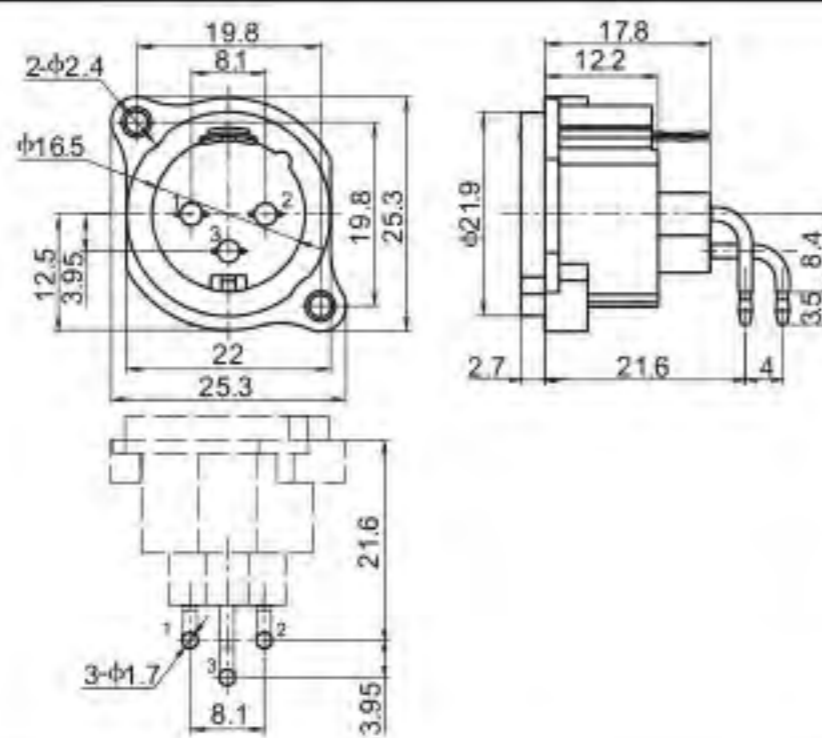
CT3-02HFD



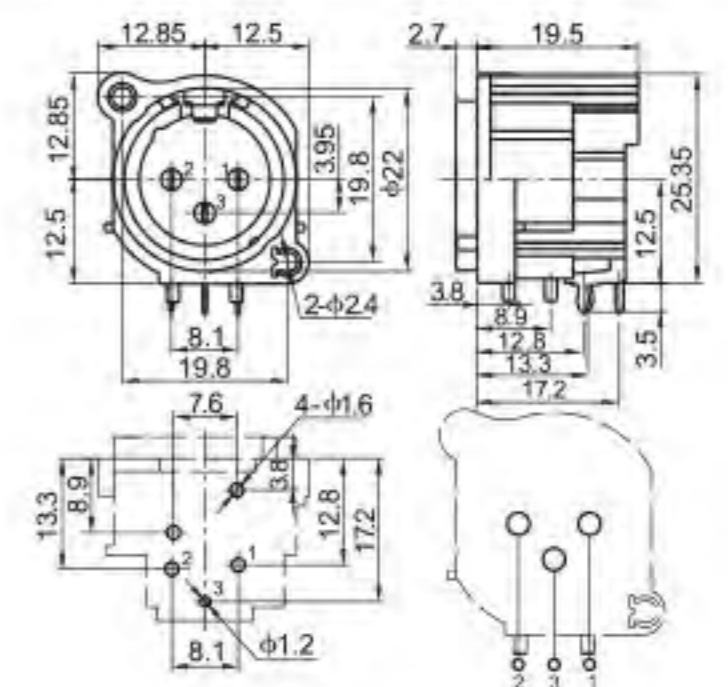
CT3-04F

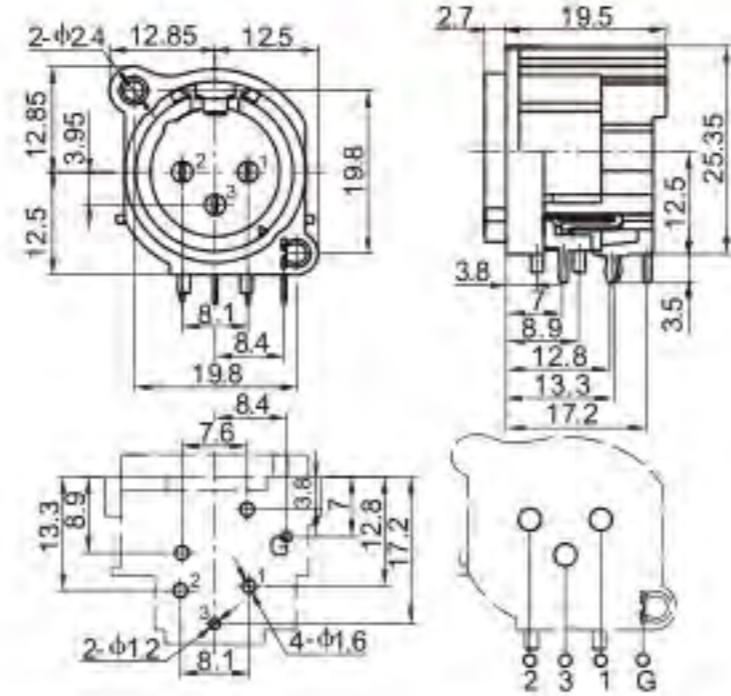


CT3-03M

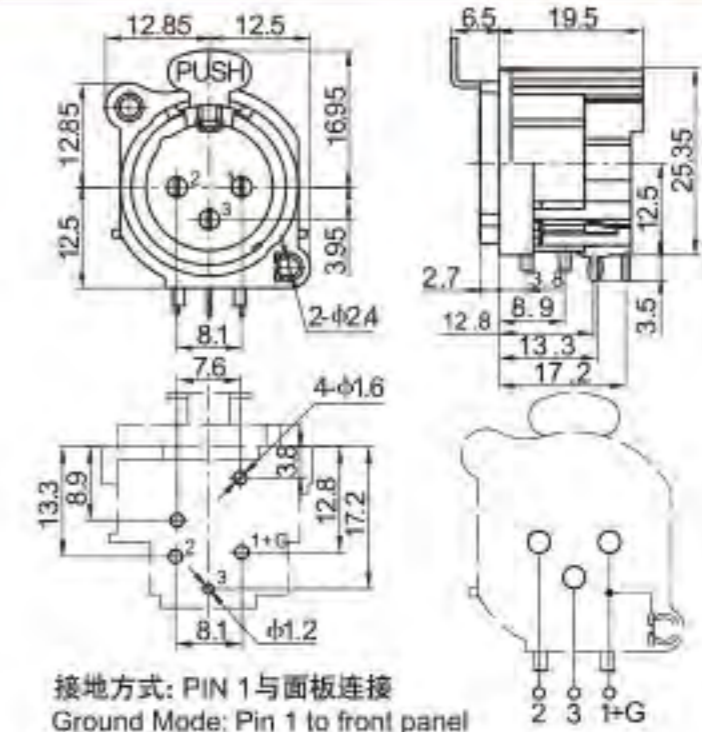


CT3-04F-A



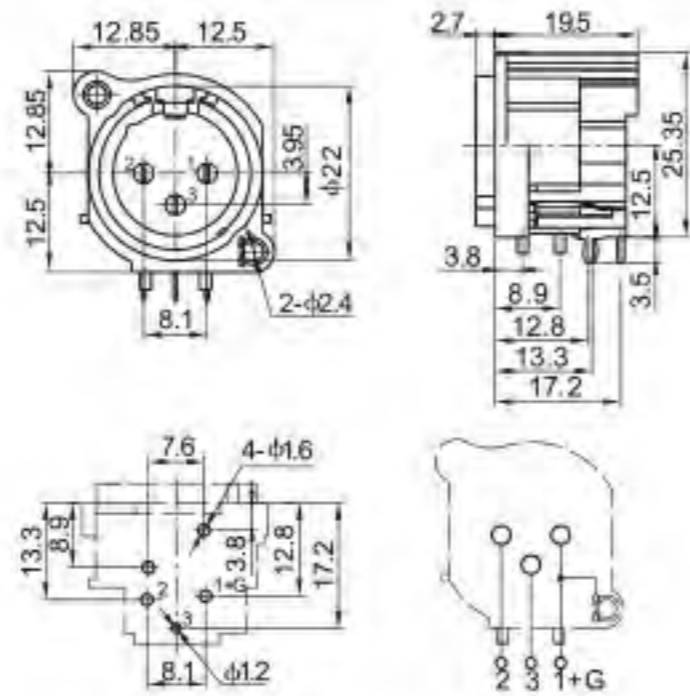


CT3-04FA

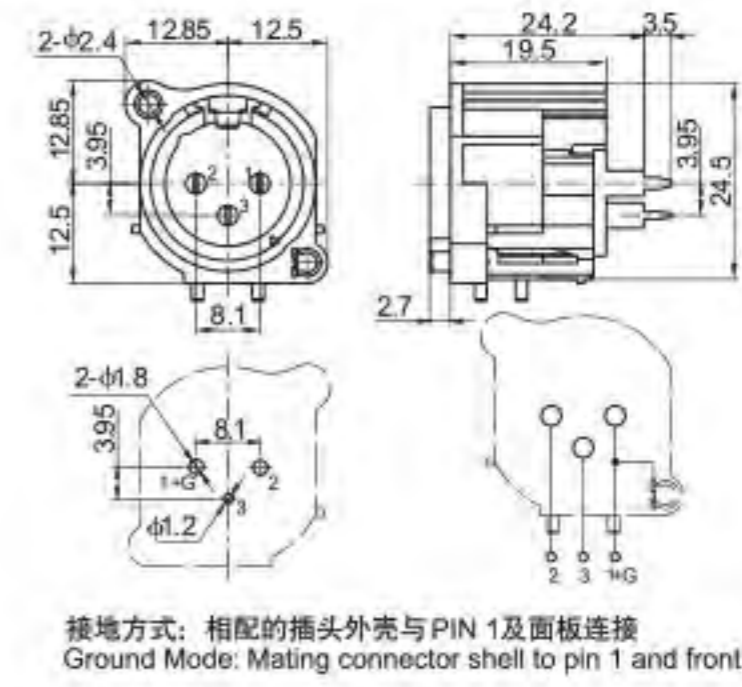


CT3-04FBP

接地方式: PIN 1 与面板连接  
Ground Mode: Pin 1 to front panel

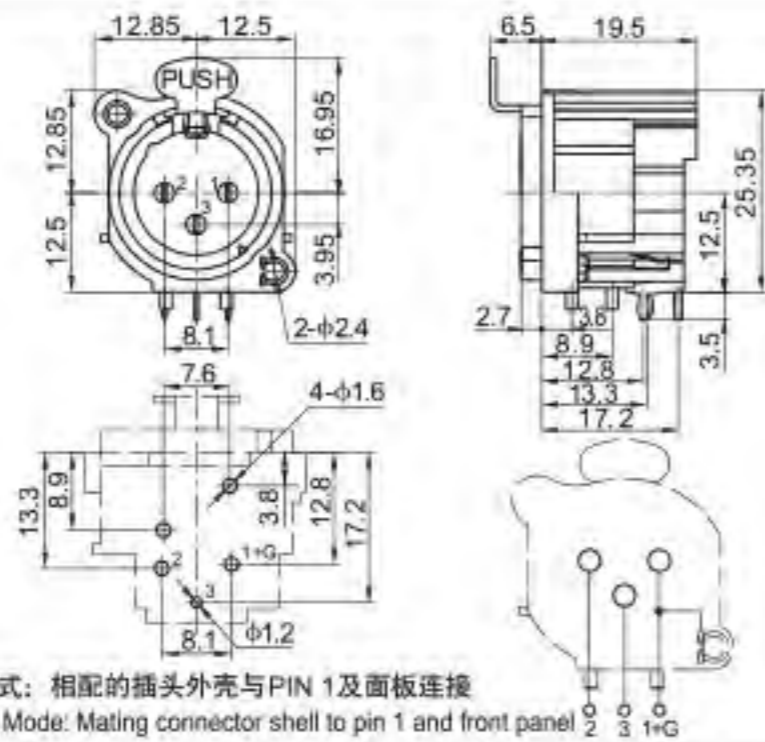


CT3-04FB



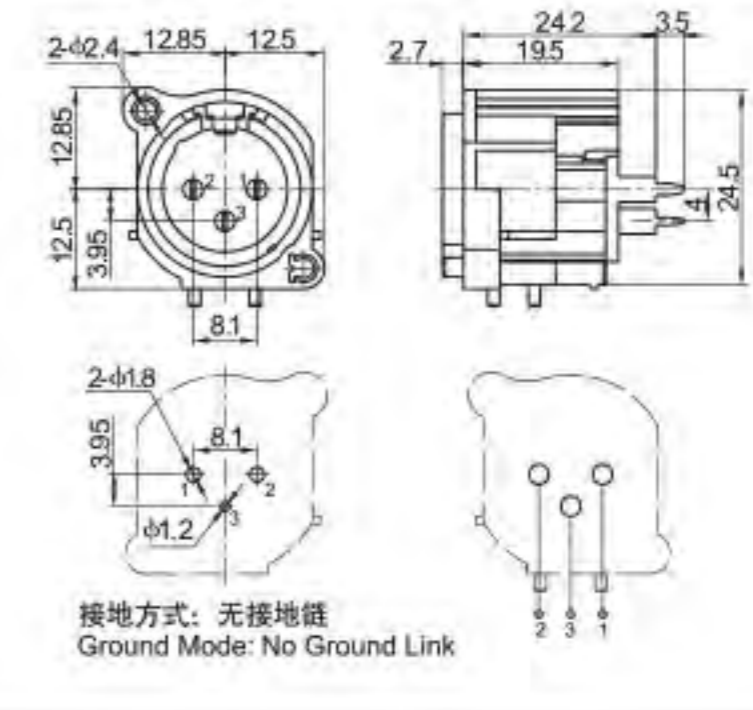
CT3-04HF

接地方式: 相配的插头外壳与 PIN 1 及面板连接  
Ground Mode: Mating connector shell to pin 1 and front panel



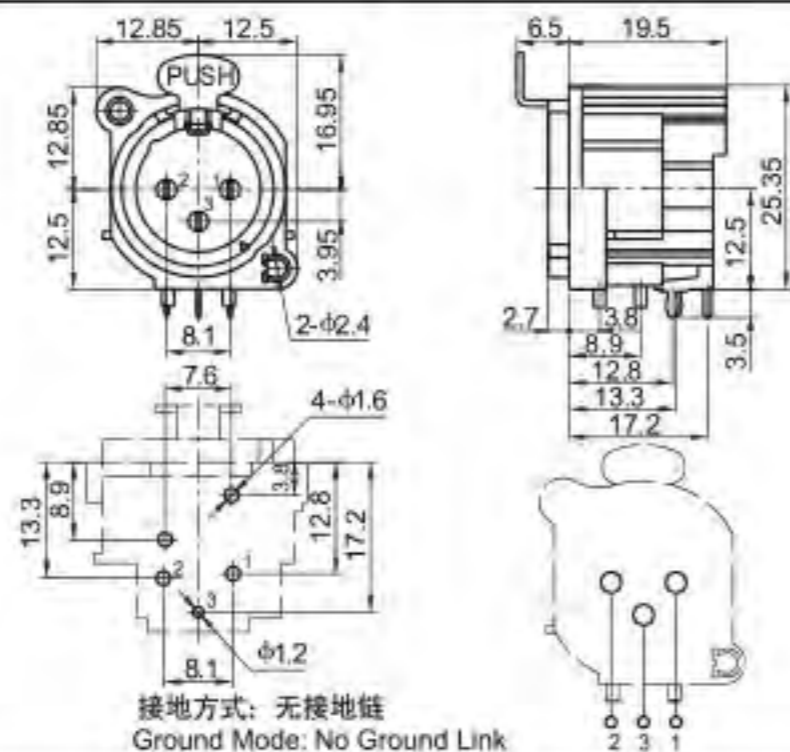
CT3-04FP

接地方式: 相配的插头外壳与 PIN 1 及面板连接  
Ground Mode: Mating connector shell to pin 1 and front panel



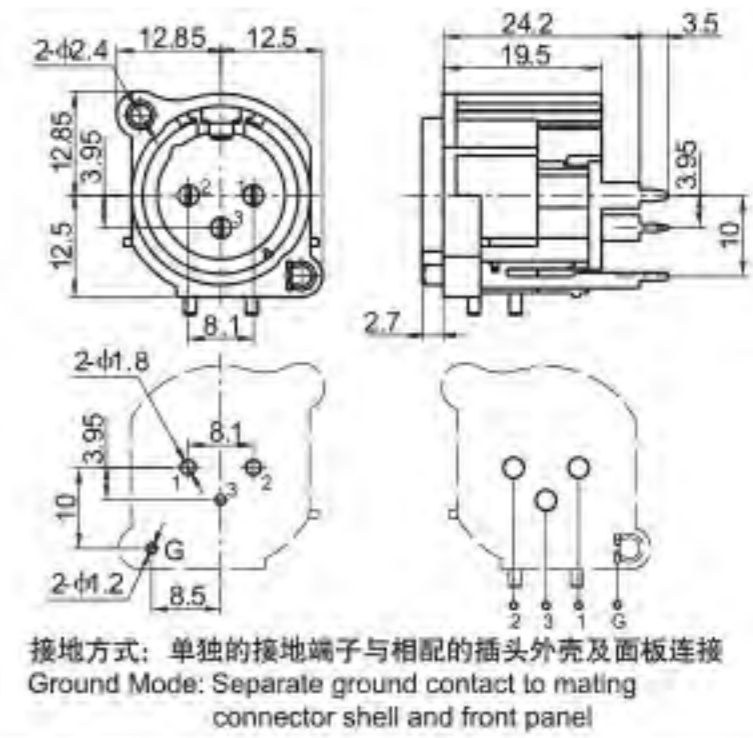
CT3-04HF-A

接地方式: 无接地链  
Ground Mode: No Ground Link



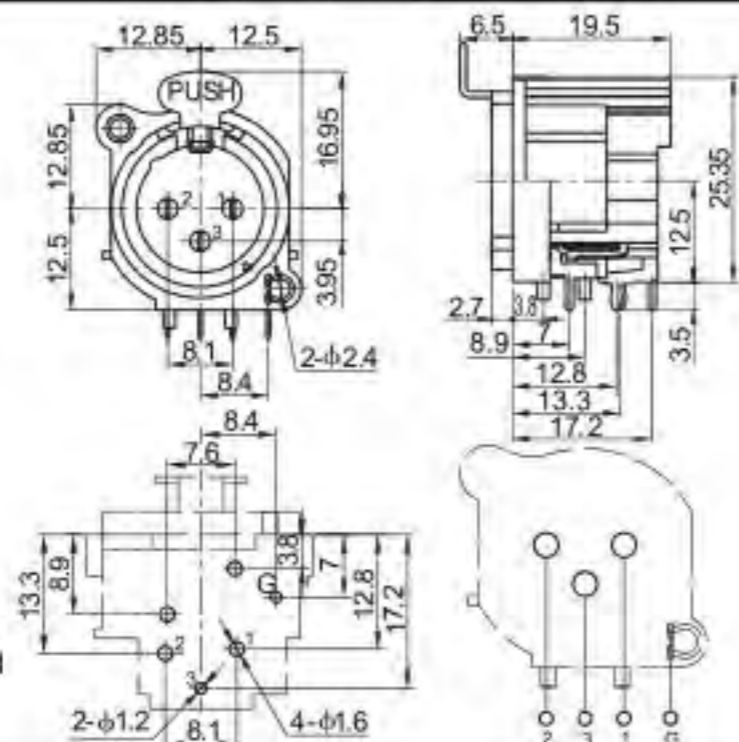
CT3-04FP-A

接地方式: 无接地链  
Ground Mode: No Ground Link



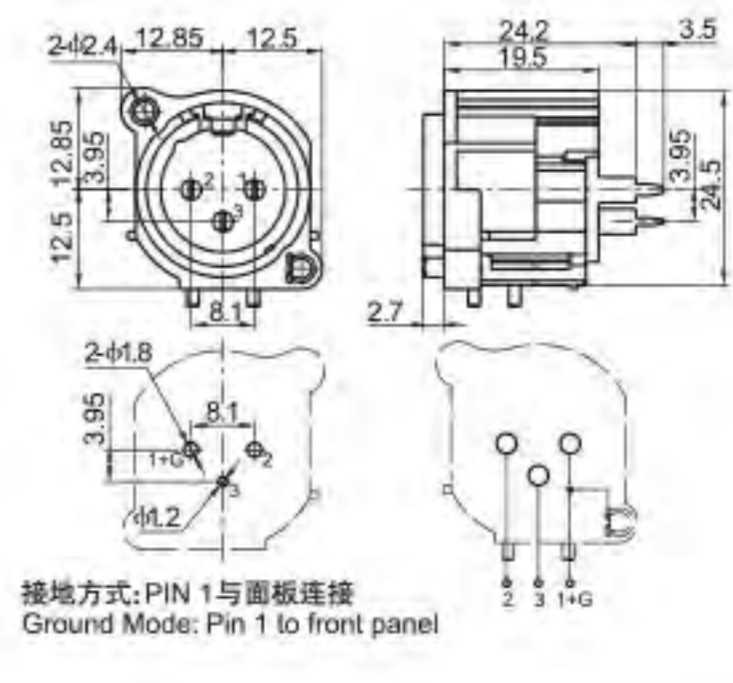
CT3-04HFA

接地方式: 单独的接地端子与相配的插头外壳及面板连接  
Ground Mode: Separate ground contact to mating connector shell and front panel



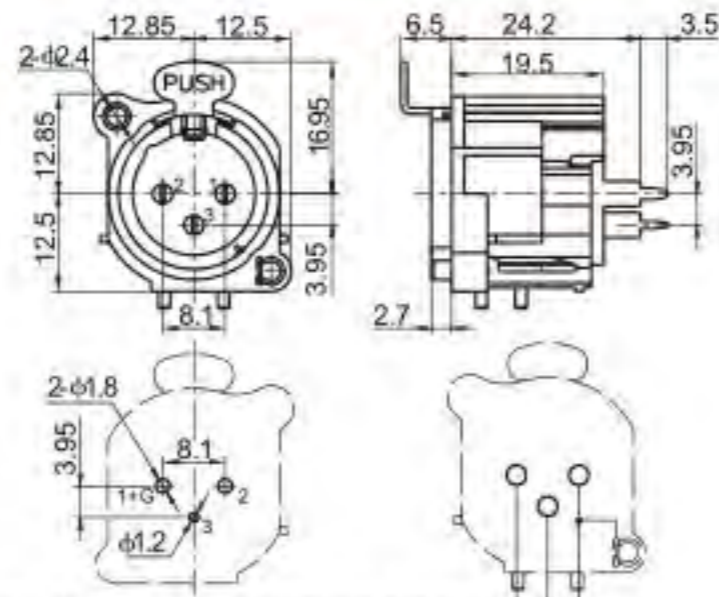
接地方式: 单独的接地端子与相配的插头外壳及面板连接  
Ground Mode: Separate ground contact to mating connector shell and front panel

CT3-04FAP



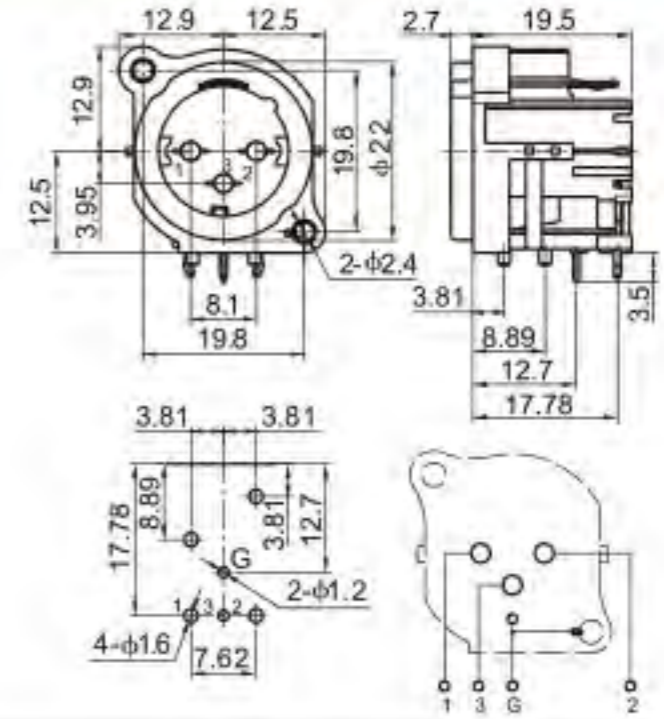
CT3-04HFB

接地方式: PIN 1 与面板连接  
Ground Mode: Pin 1 to front panel

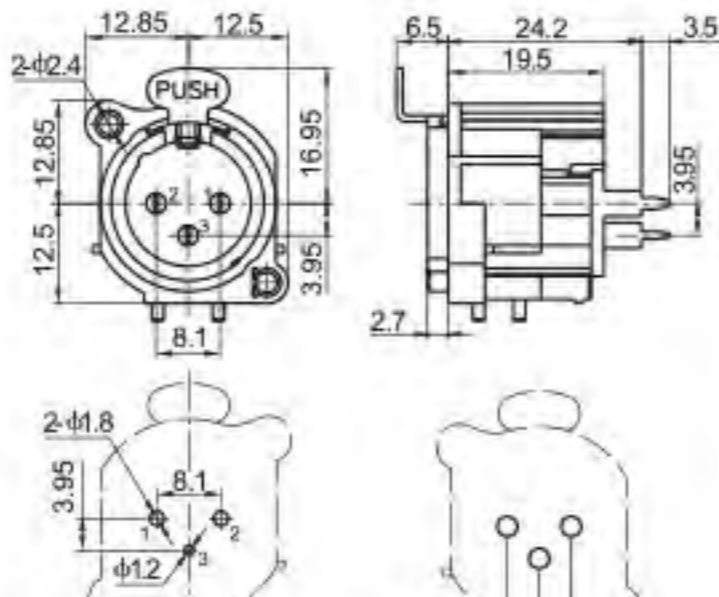


接地方式: 相配的插头外壳与PIN 1及面板连接  
Ground Mode: Mating connector shell to pin 1 and front panel

CT3-04HFP

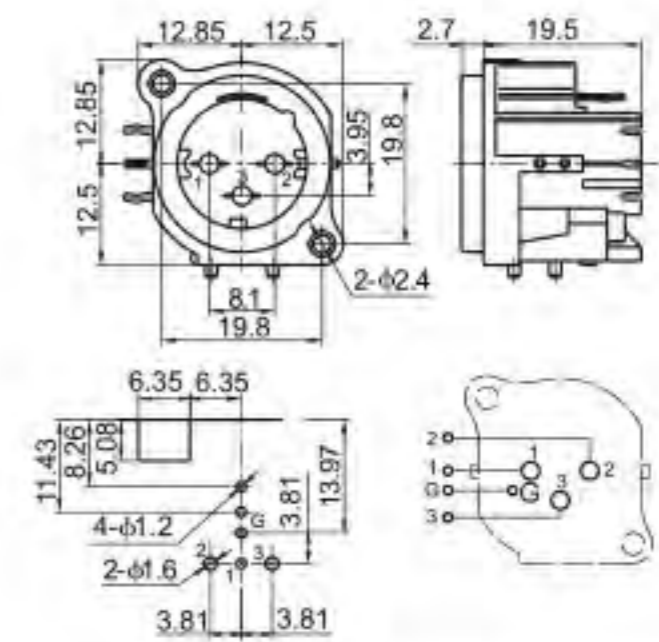


CT3-05M-1

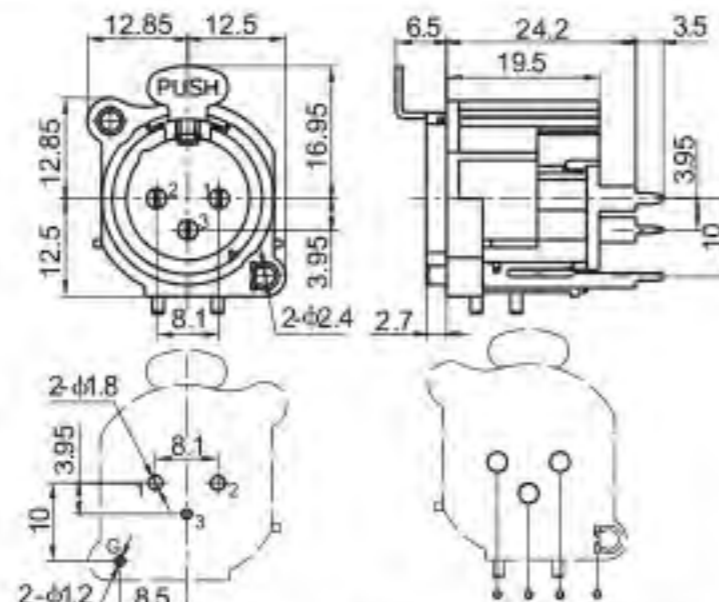


接地方式: 无接地链  
Ground Mode: No Ground Link

CT3-04HFP-A

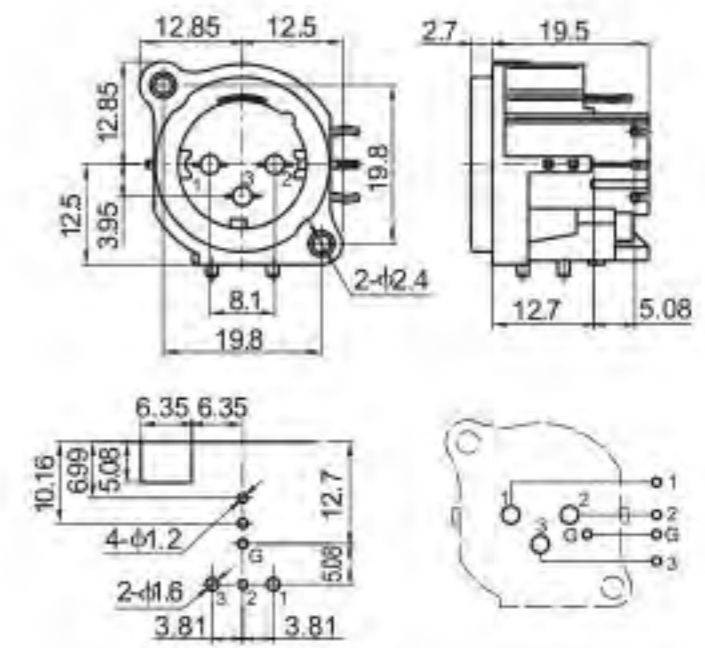


CT3-05ML

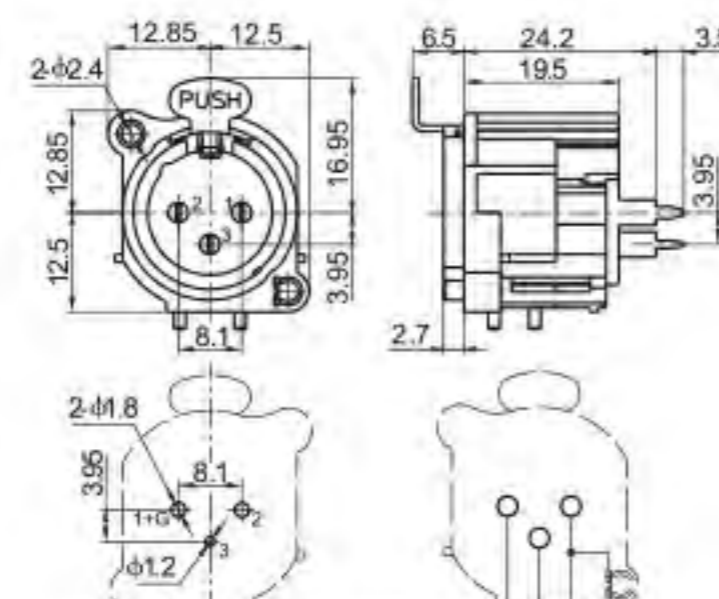


接地方式: 单独的接地端子与相配的插头外壳及面板连接  
Ground Mode: Separate ground contact to mating connector shell and front panel

CT3-04HFAP

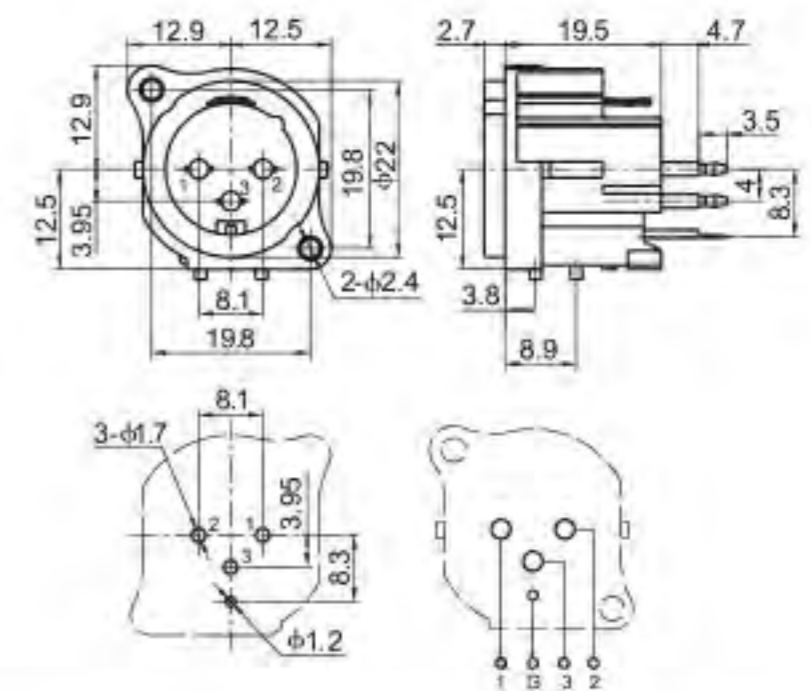


CT3-05MR

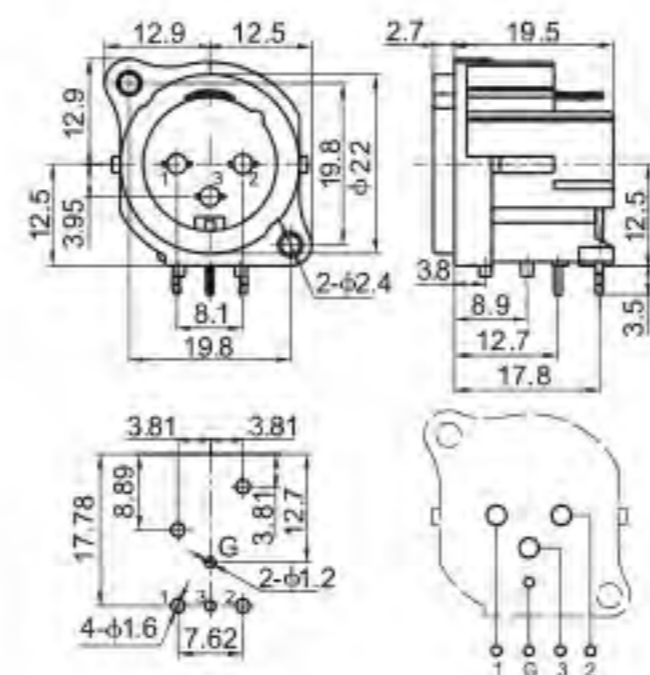


接地方式: PIN 1与面板连接  
Ground Mode: Pin 1 to front panel

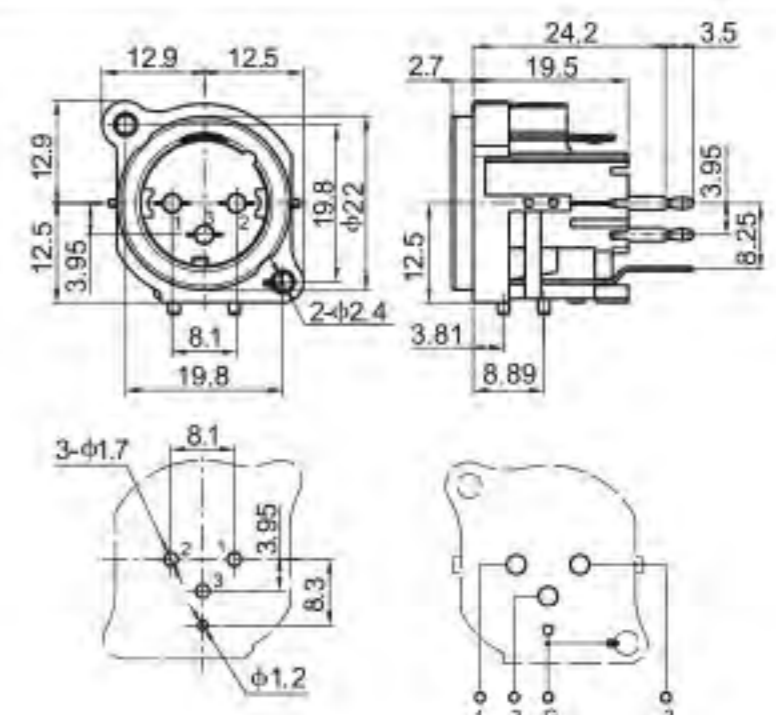
CT3-04HFBP



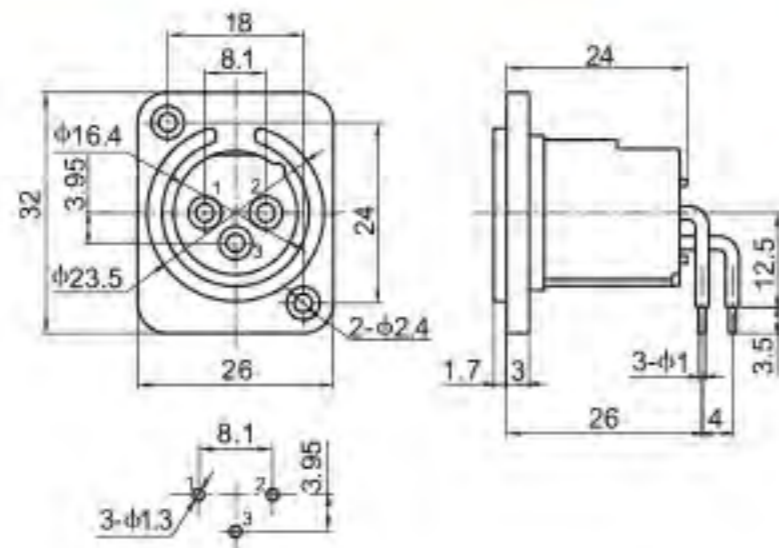
CT3-05HM



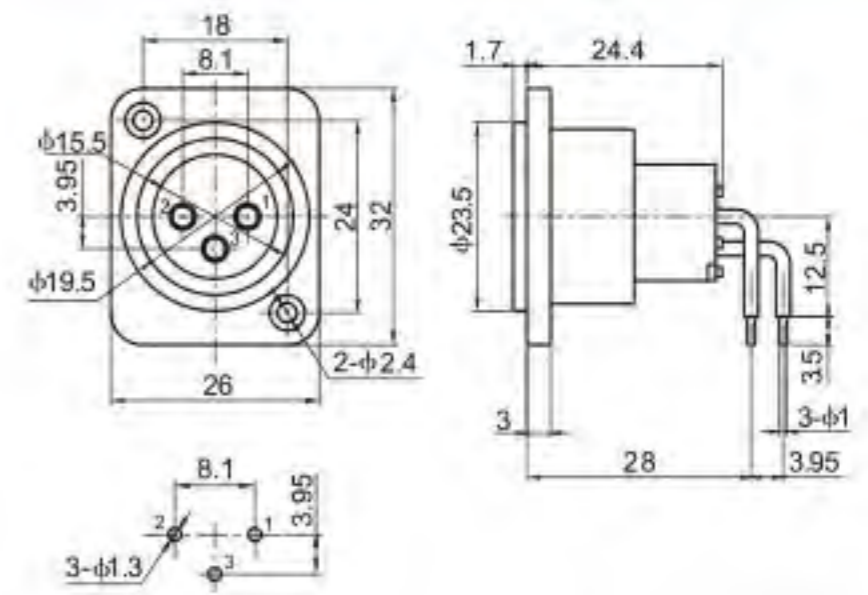
CT3-05M



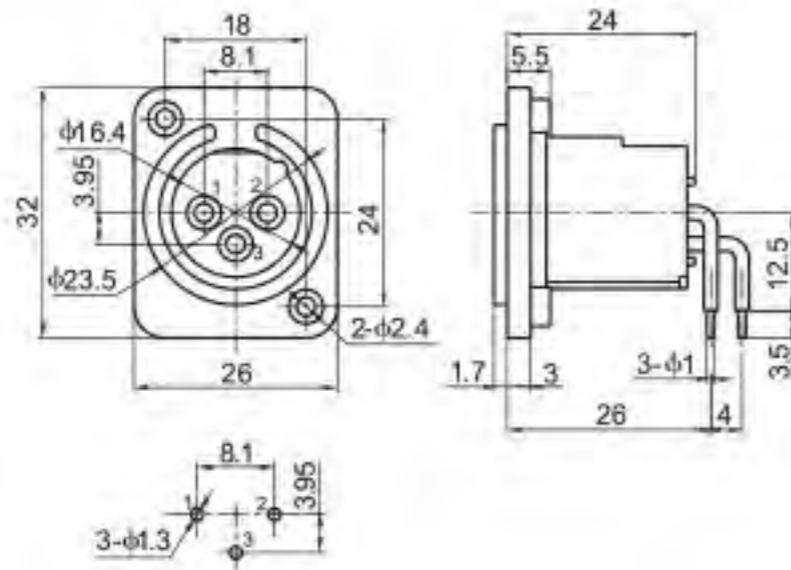
CT3-05HM-01



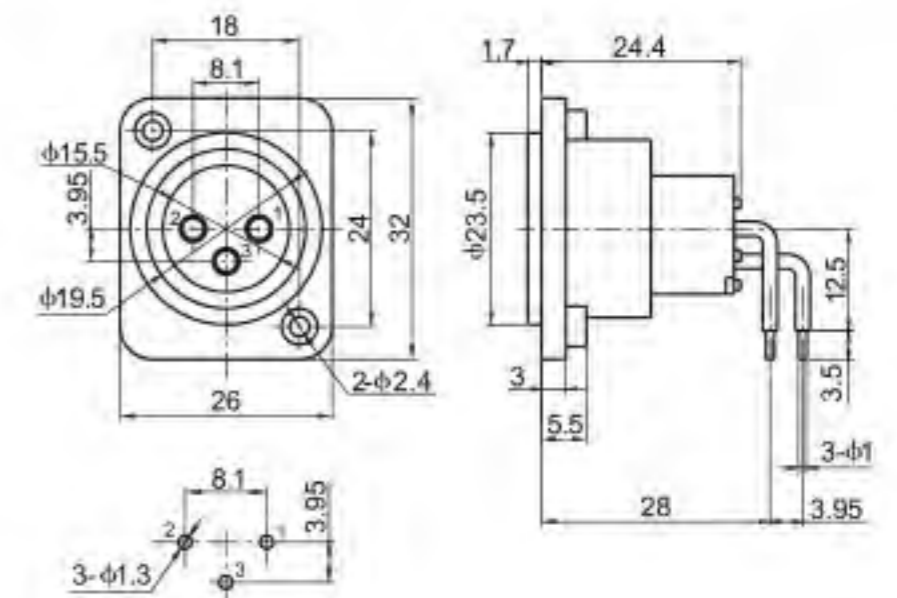
CT3-06M



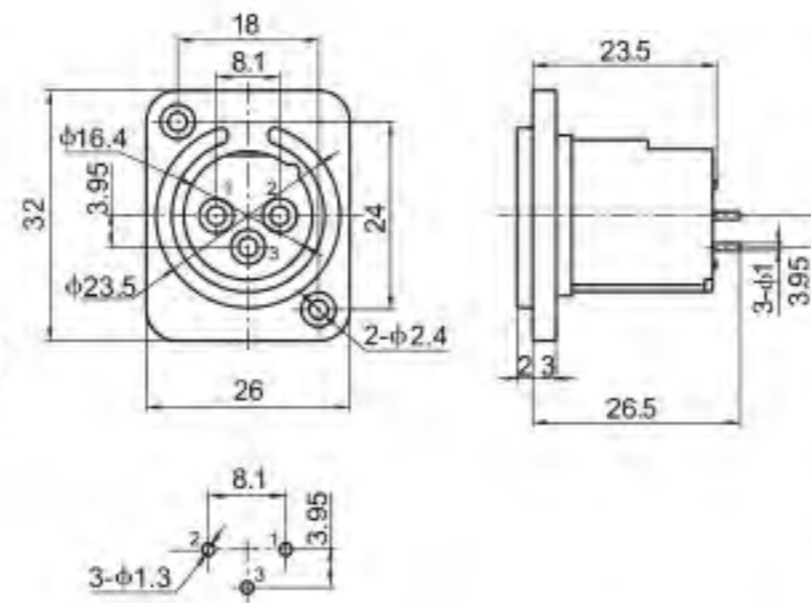
CT3-08F



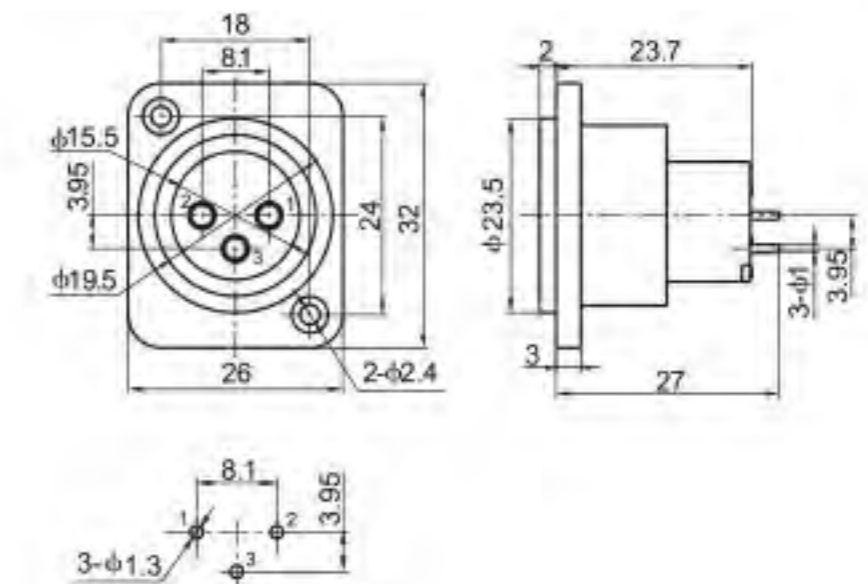
CT3-06MA



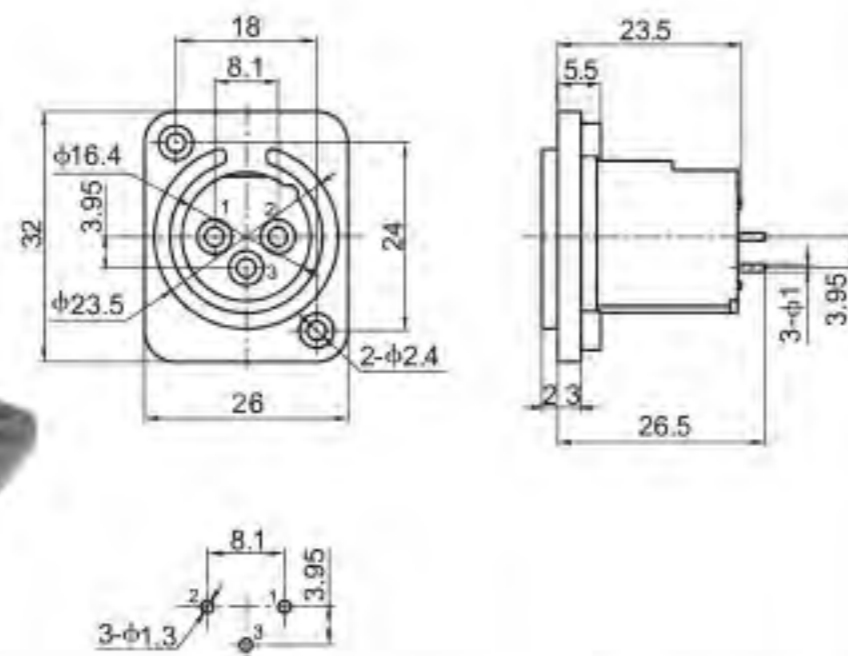
CT3-08FA



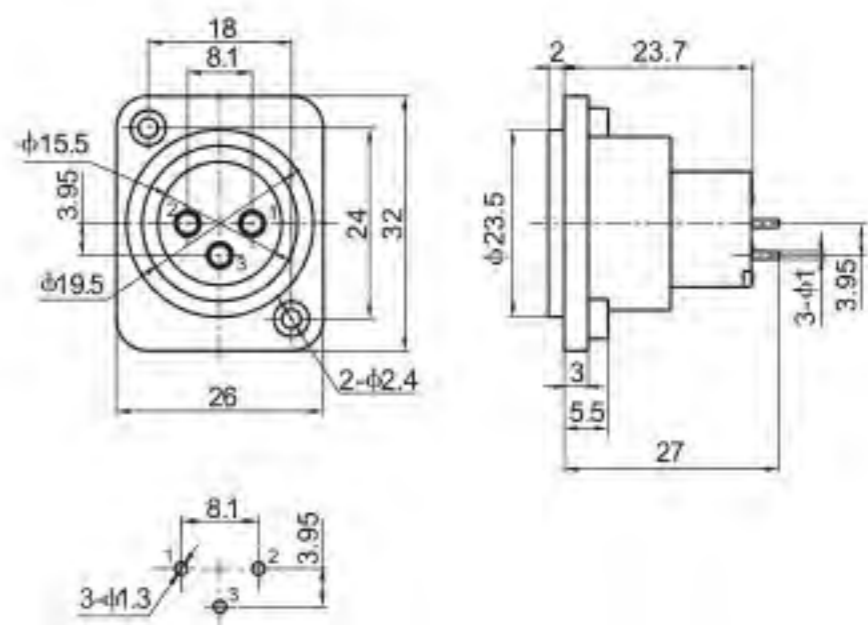
CT3-06HM



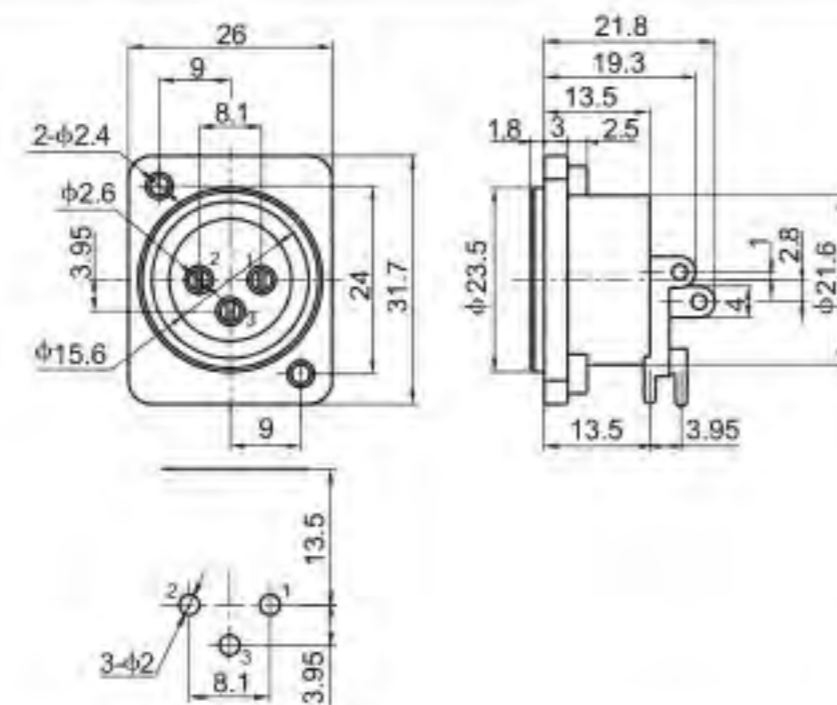
CT3-08HF



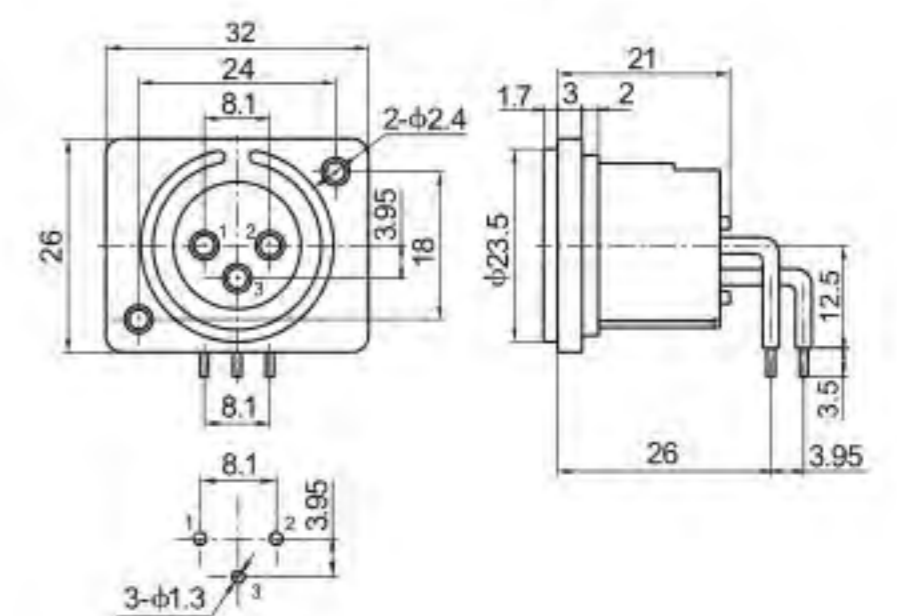
CT3-06HMA



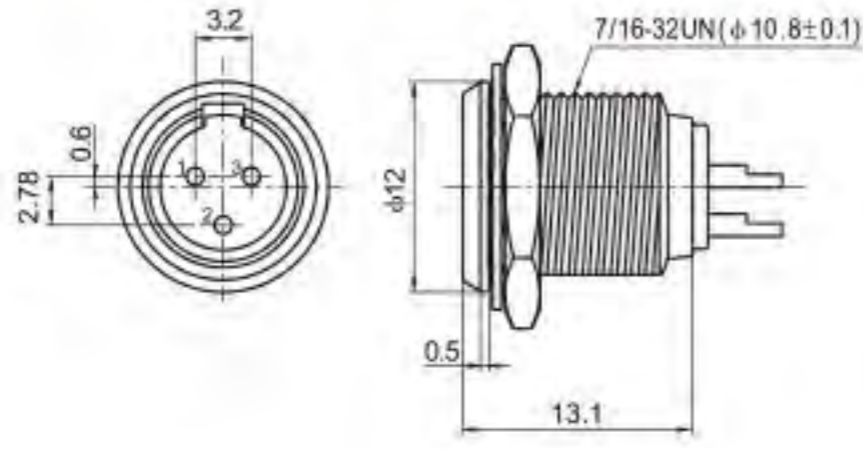
CT3-08HFA



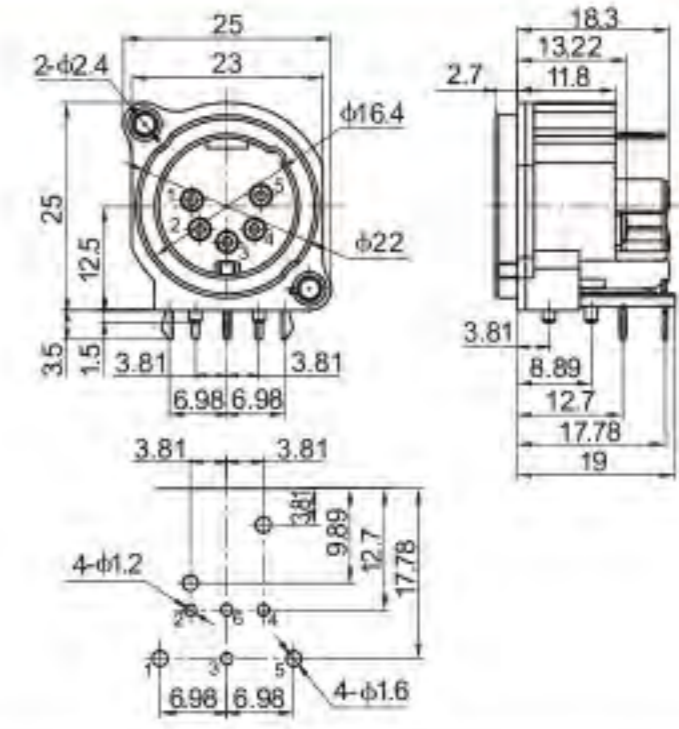
CT3-07F



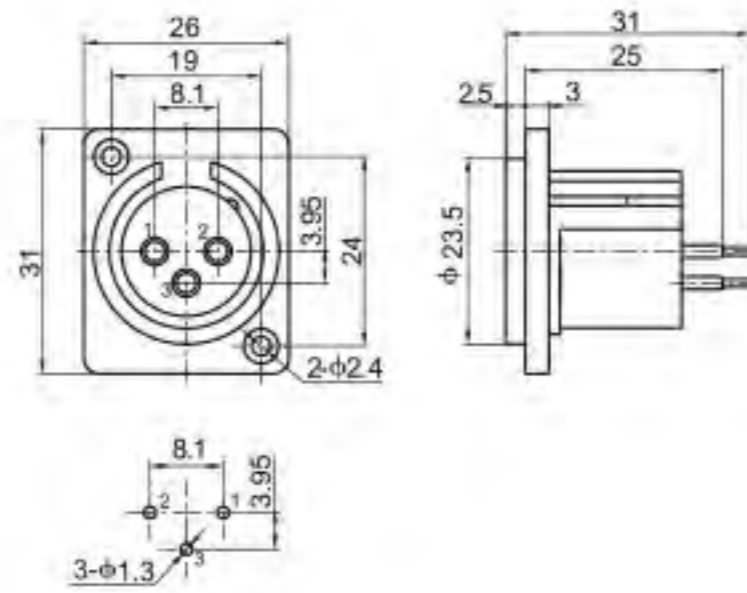
CT3-09M



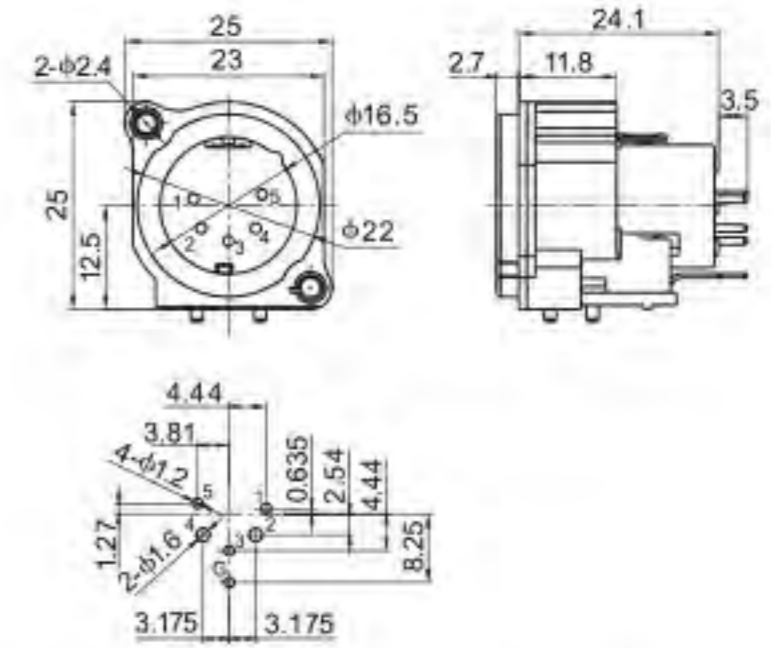
MCT3-10HM



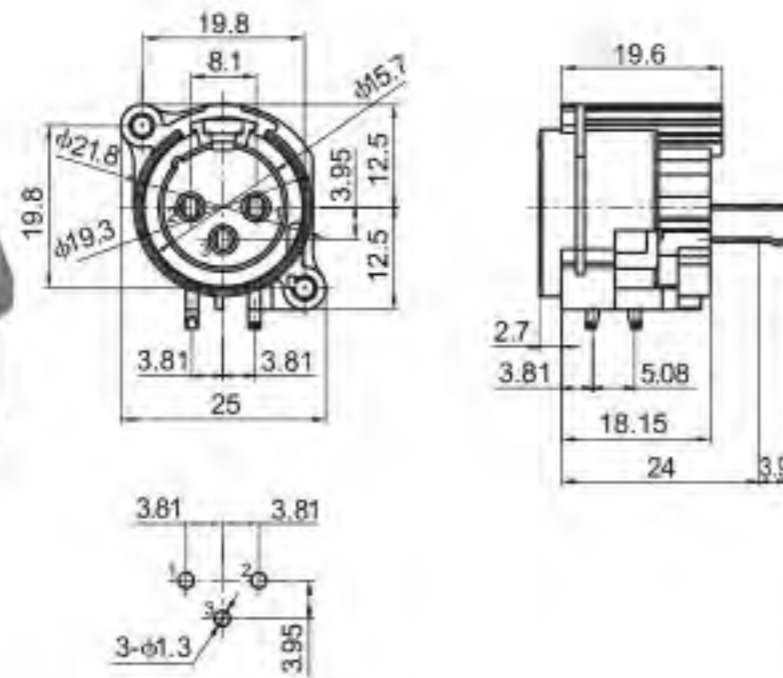
CT5-02 M



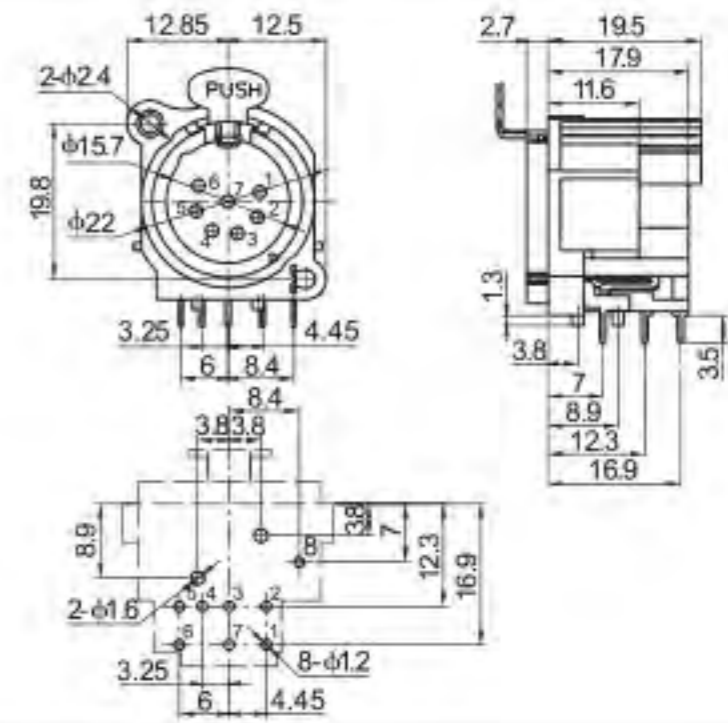
CT3-11HM



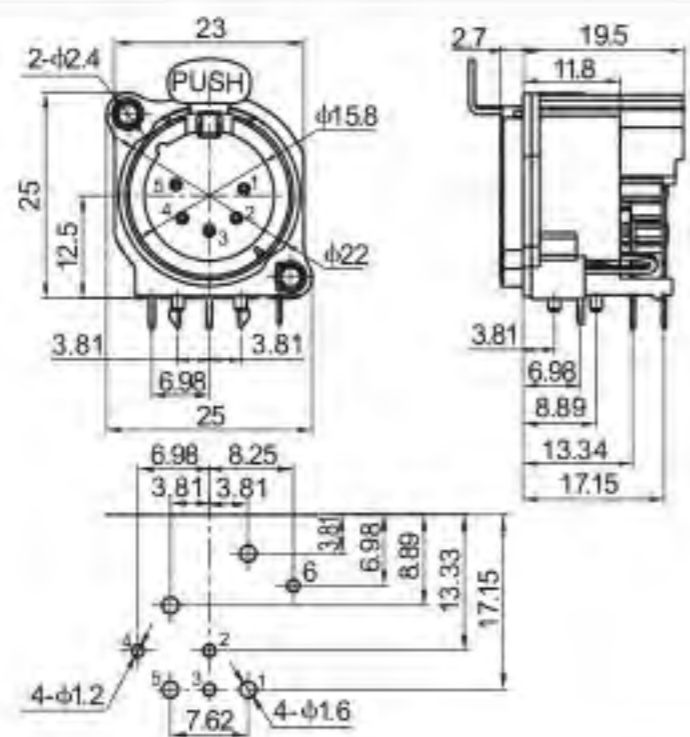
CT5-03HM



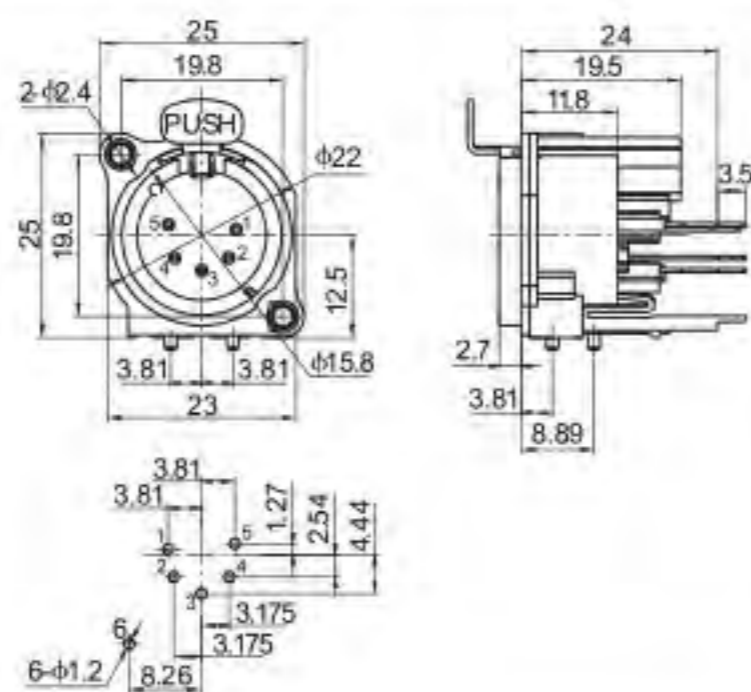
CT3-12HF



CT7-01FP



CT5-01FP



CT5-01HFP

**CK-6.35-102S-9**

**CK-6.35-102-9**

**CK-6.35-202S-11.5**

**CK-6.35-202-11.5**

**CK-6.35-102S-11.5**

**CK-6.35-102-11.5**

**CK-6.35-205**

**CK-6.35-103S**

**CK-6.35-103**

**CK-6.35-205A**

**CK-6.35-105S**

**CK-6.35-105**

**CK-6.35-206S**

**CK-6.35-206**

**CK-6.35-106S**

**CK-6.35-106**

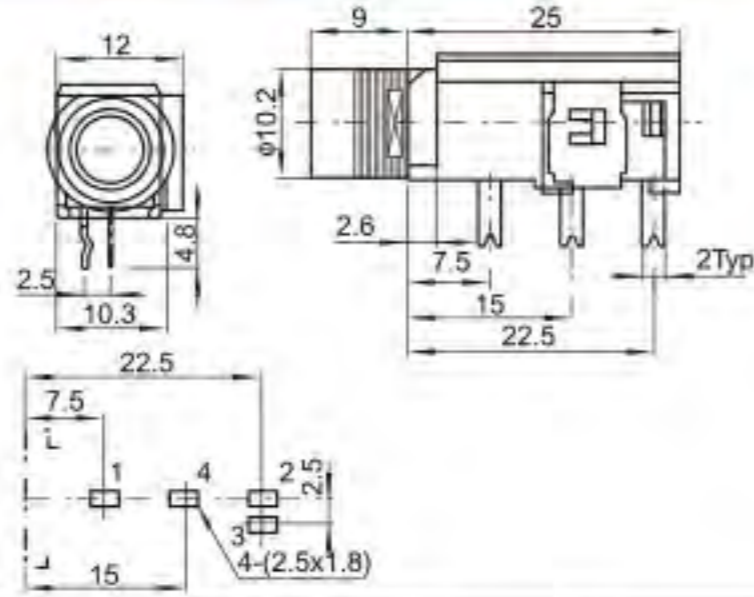
**CK-6.35-302S**

**CK-6.35-302**

**CK-6.35-202S-9**

**CK-6.35-202-9**

**CK-6.35-302A**



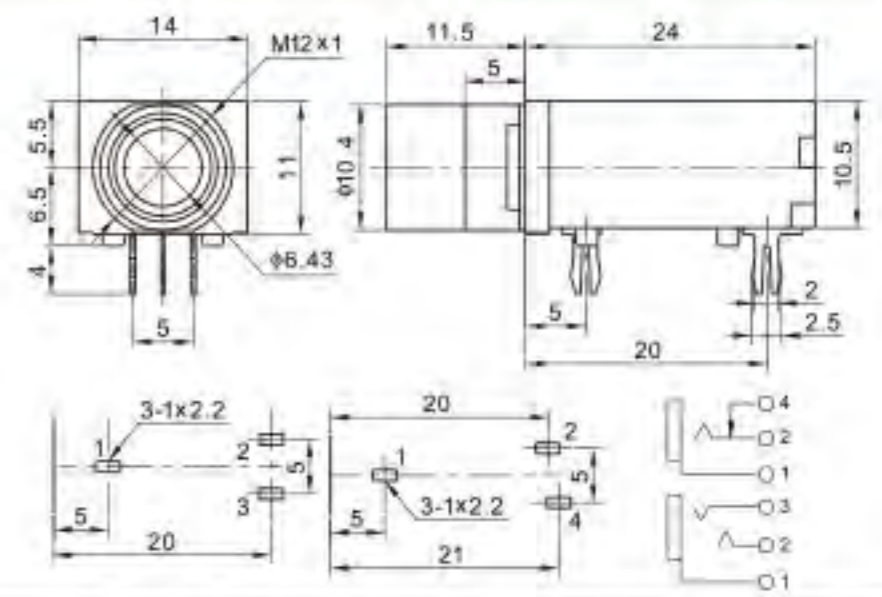
CK-6.35-302B



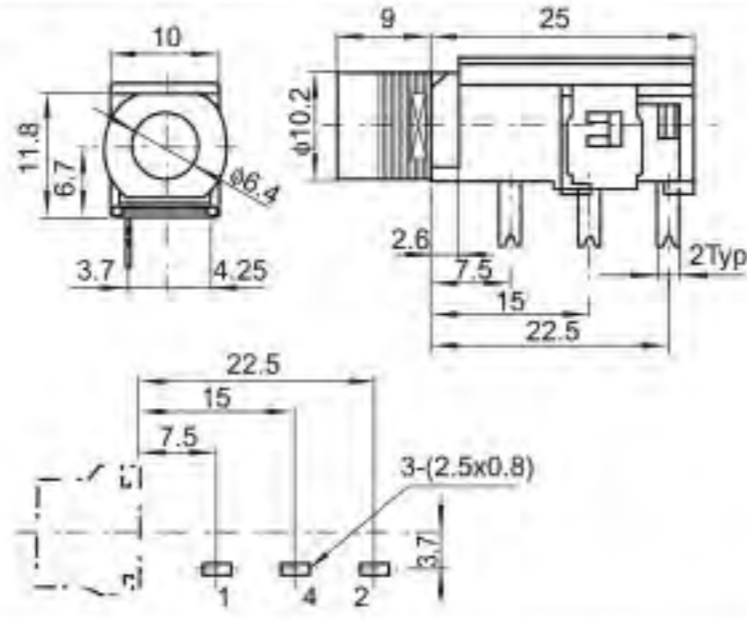
CK-6.35-309S-11.5



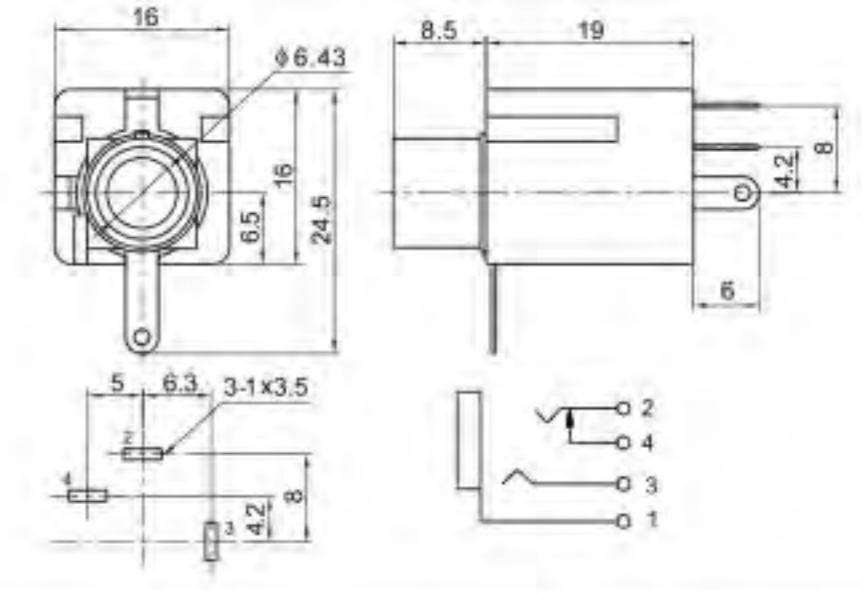
CK-6.35-309-11.5



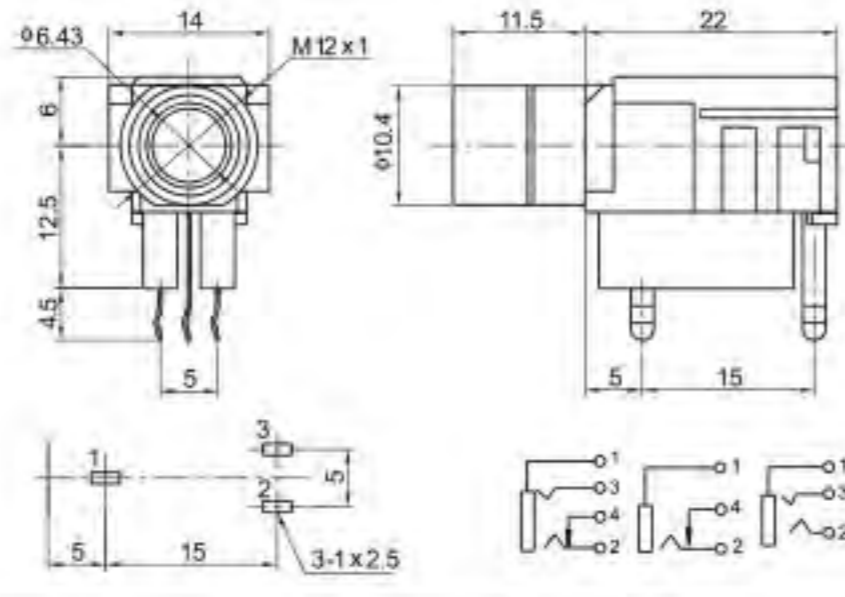
CK-6.35-302C



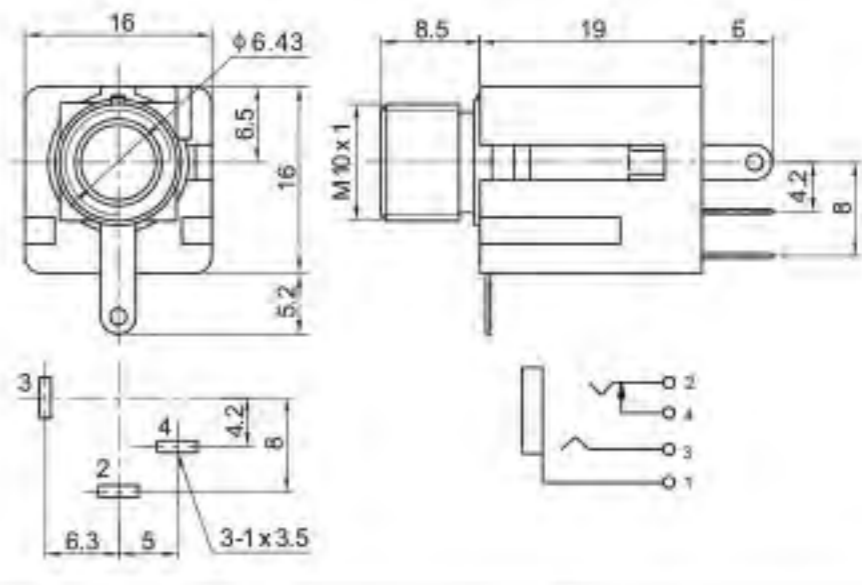
CK-6.35-626



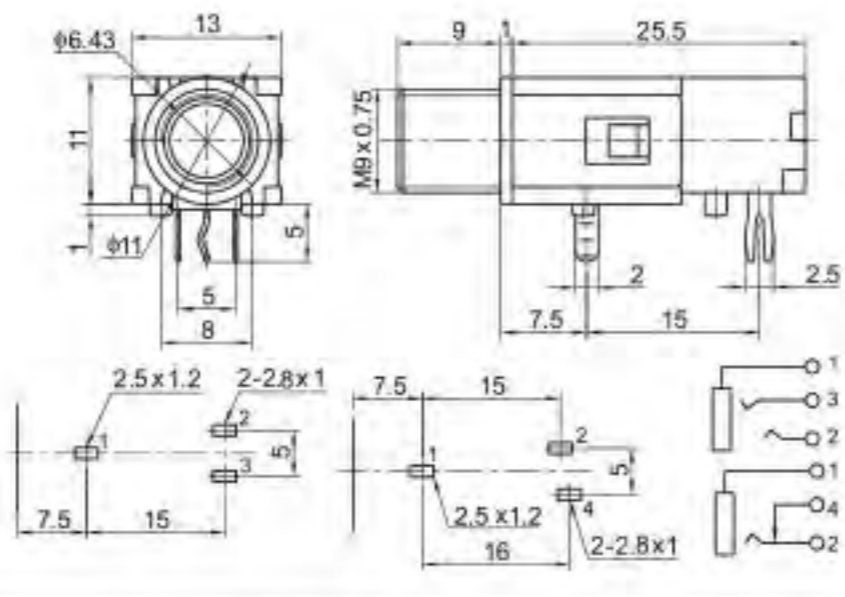
CK-6.35-303



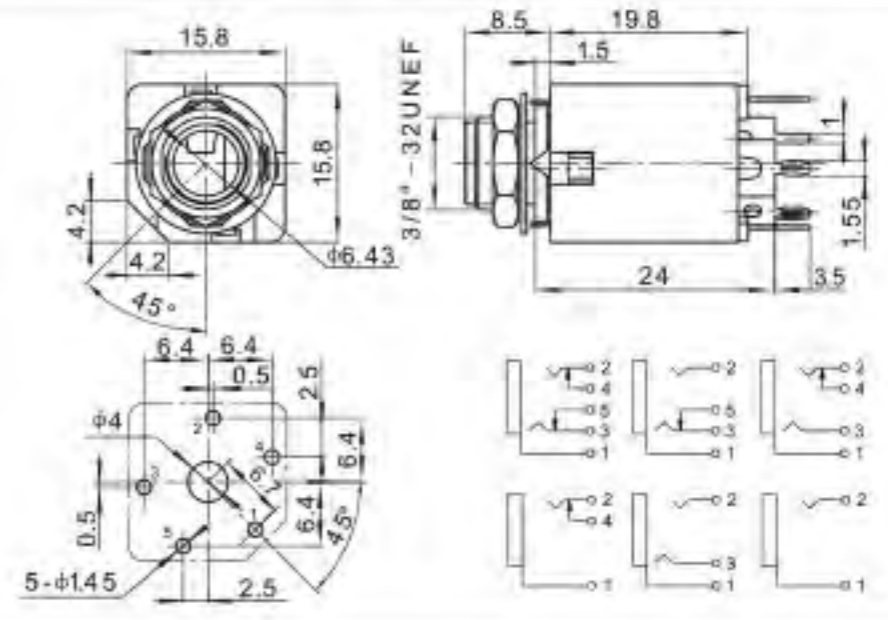
CK-6.35-627



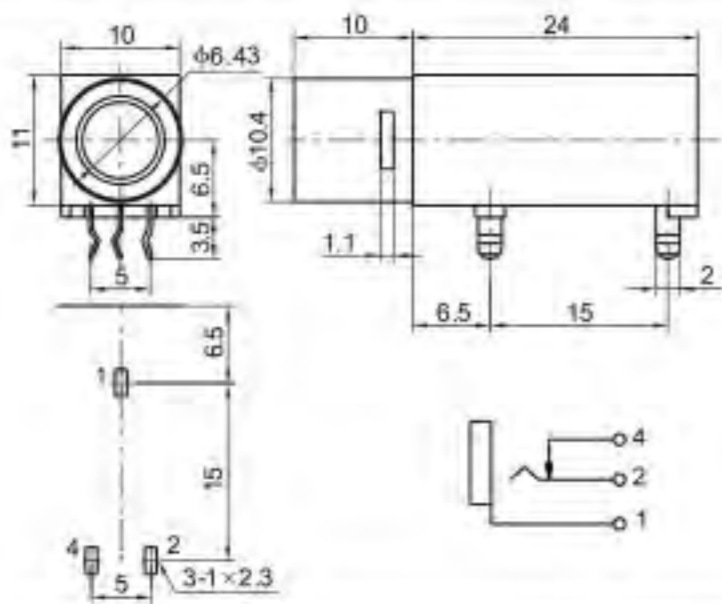
CK-6.35-308



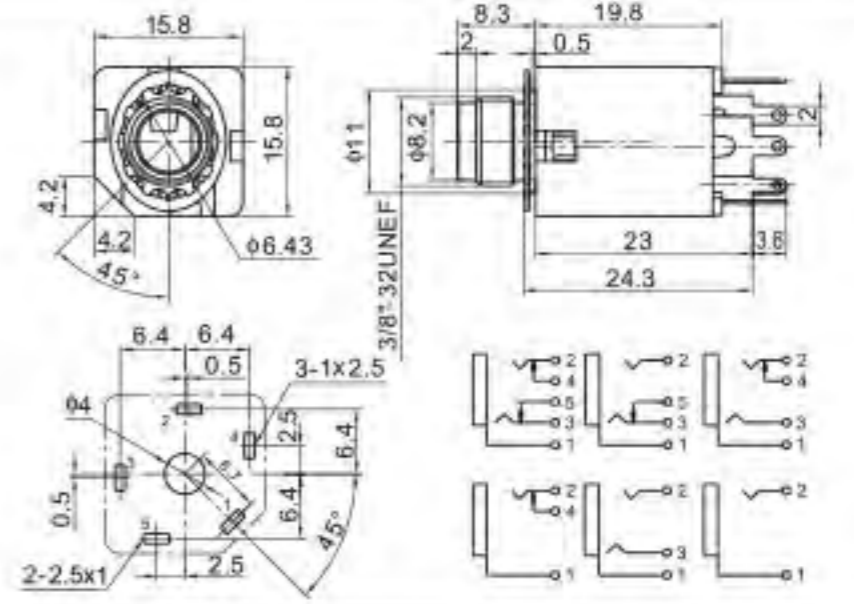
CK-6.35-630



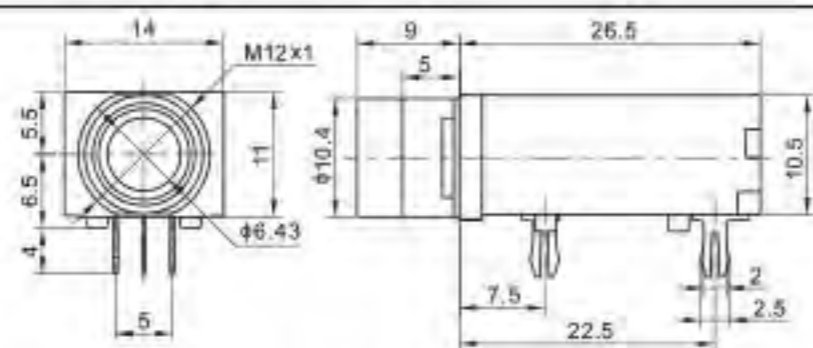
CK-6.35-309A



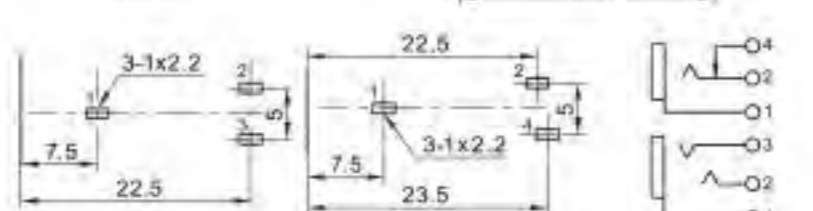
CK-6.35-630A



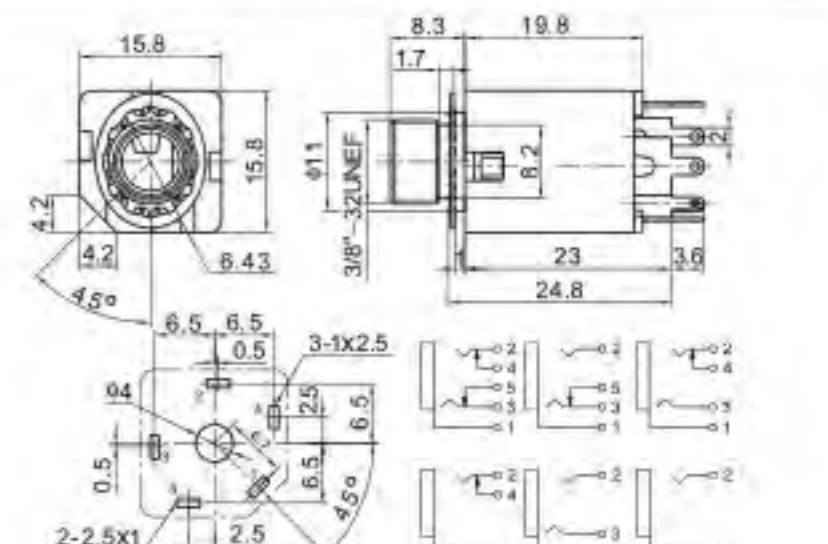
CK-6.35-309S-9



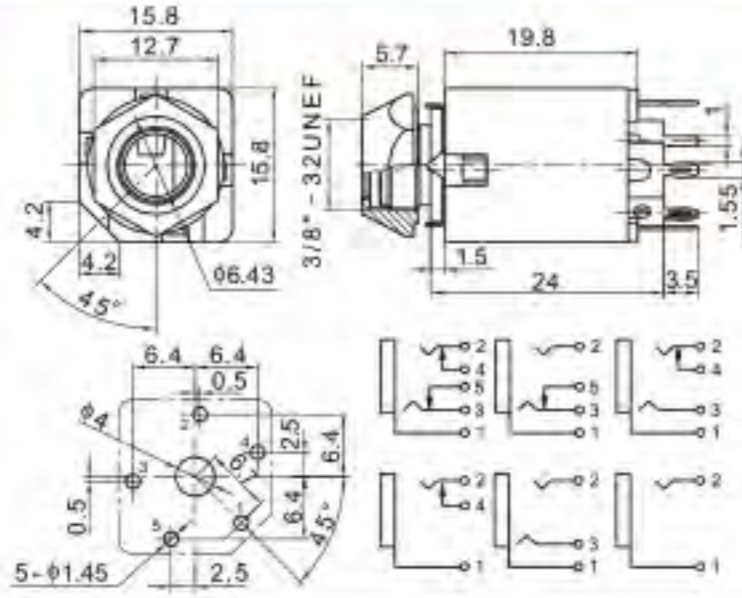
CK-6.35-309-9



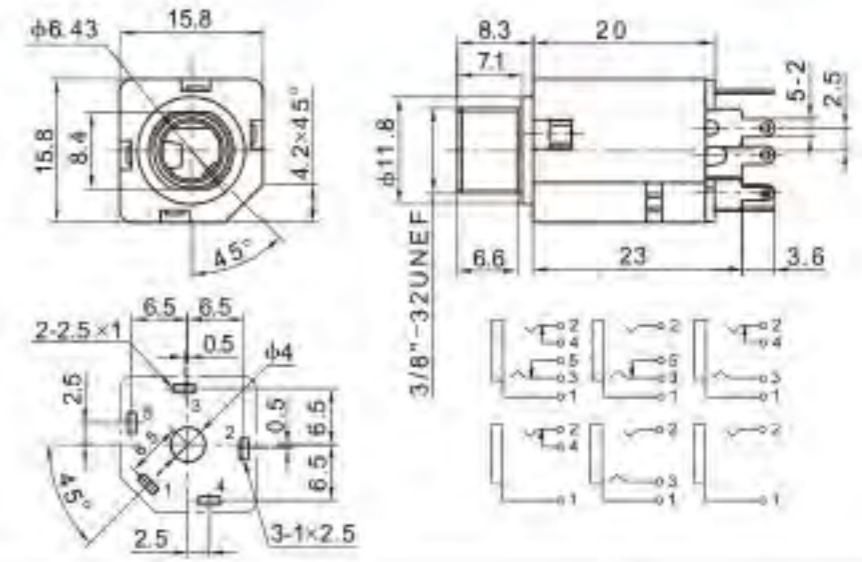
CK-6.35-630AV



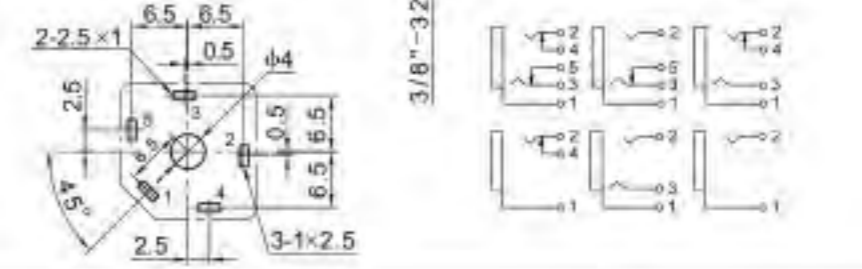
CK-6.35-630 大锣帽



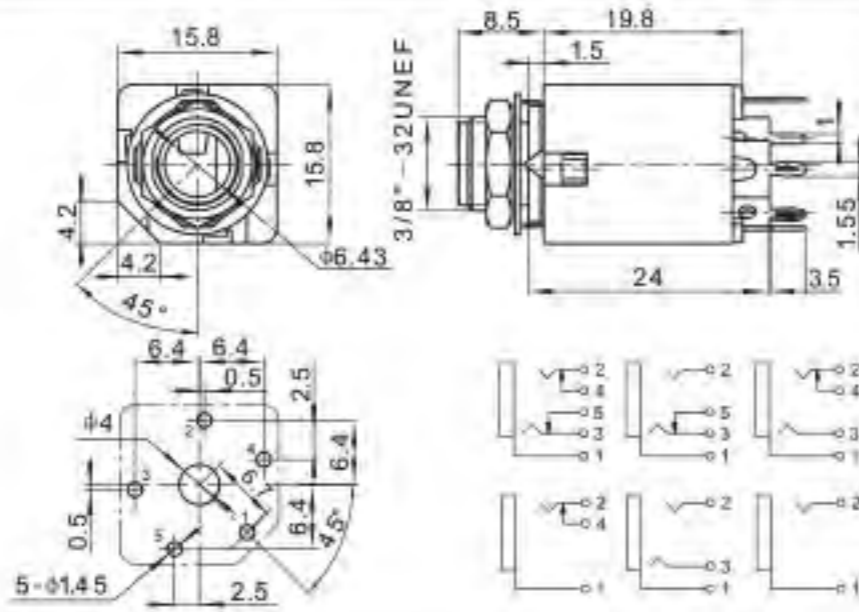
CK-6.35-630AS



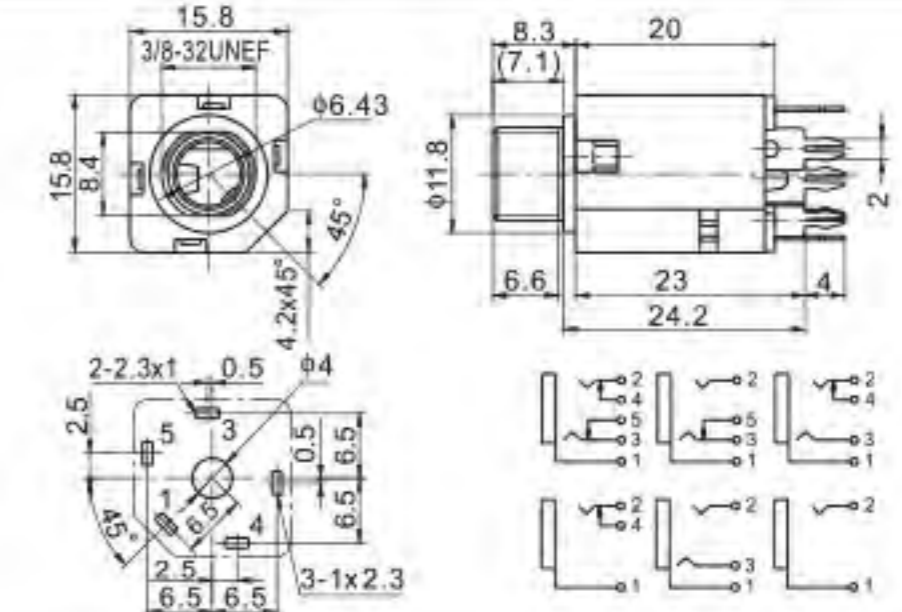
CK-6.35-630AST



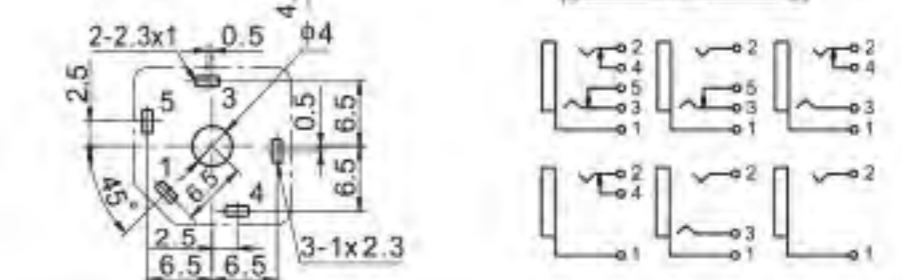
CK-6.35-630G



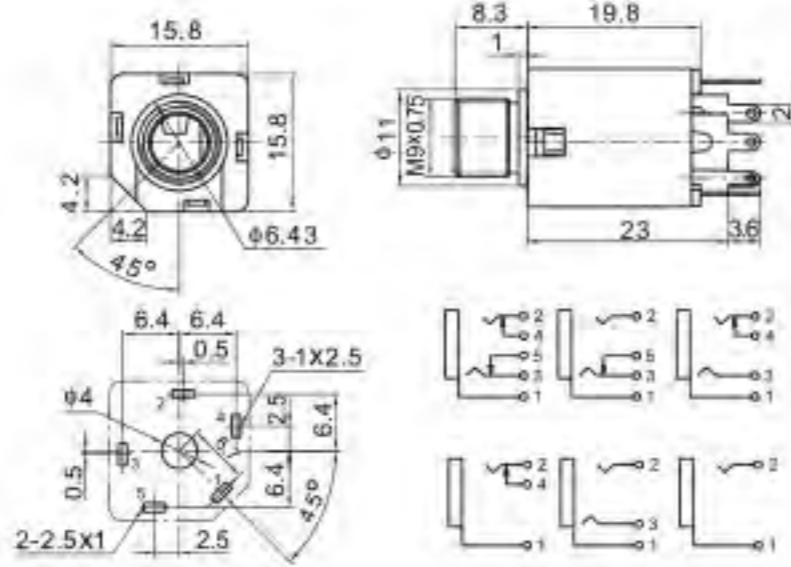
CK-6.35-630BS



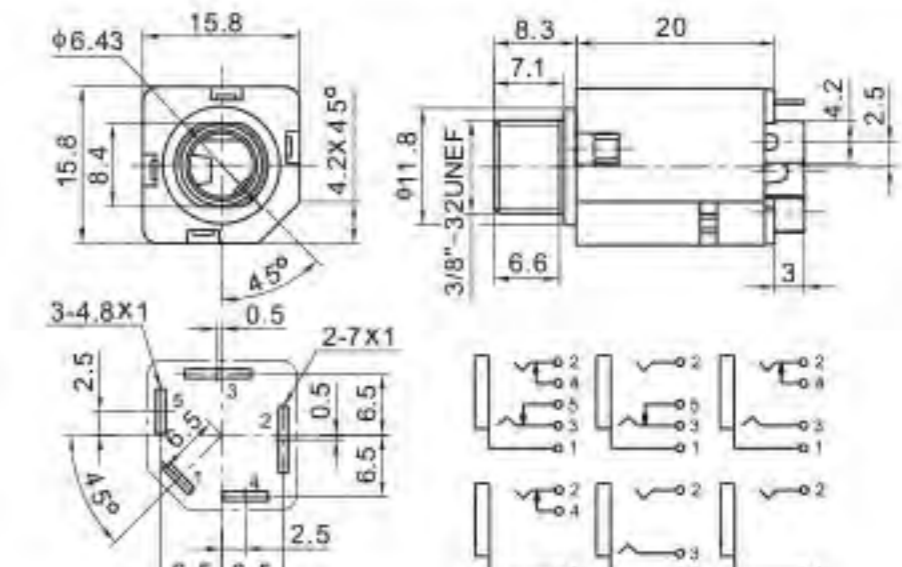
CK-6.35-630BST



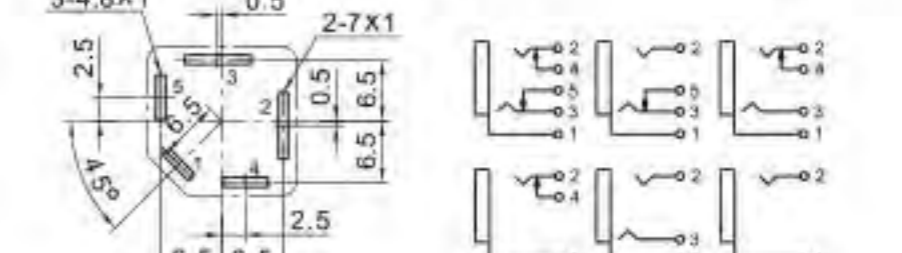
CK-6.35-630AG



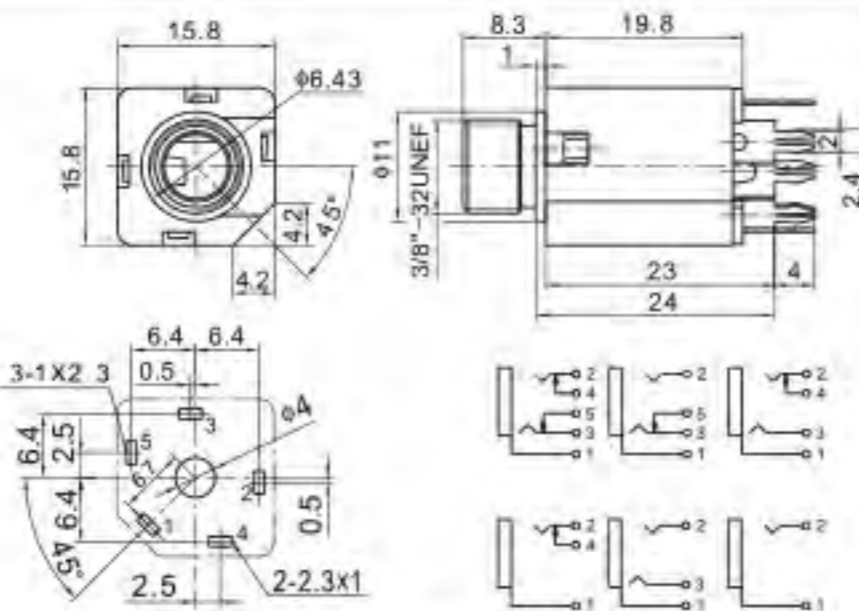
CK-6.35-630CS



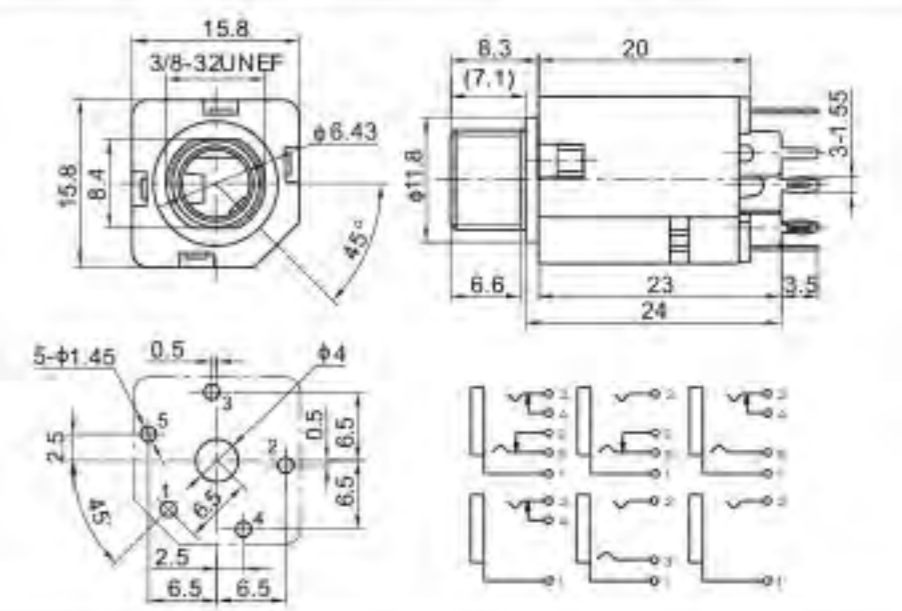
CK-6.35-630CST



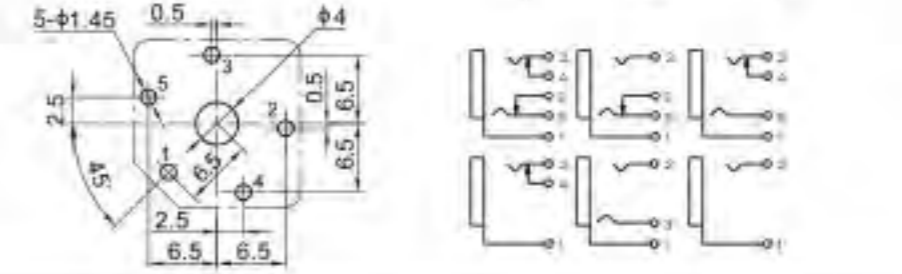
CK-6.35-630B



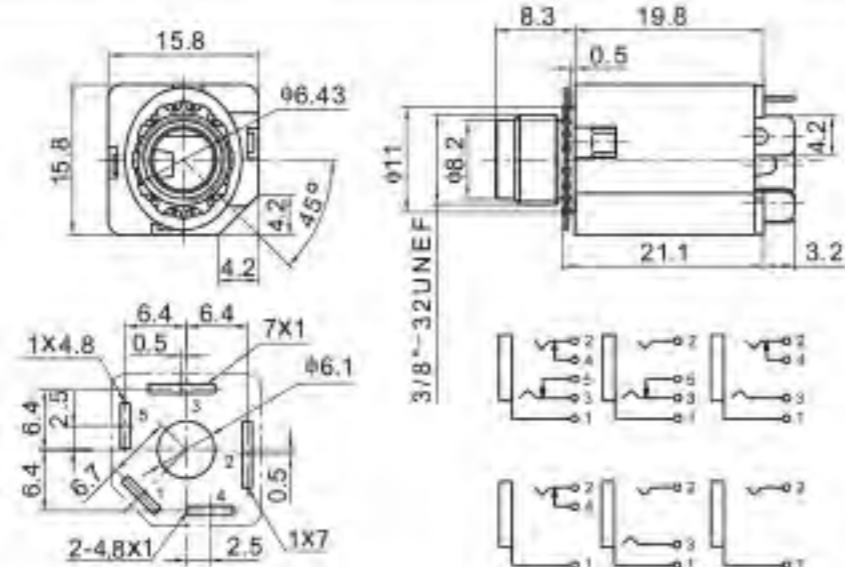
CK-6.35-630S



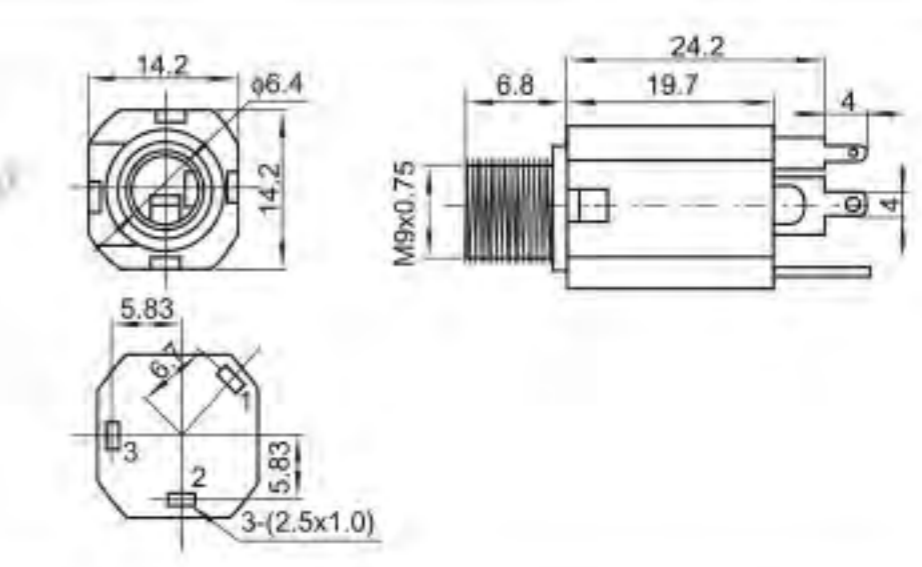
CK-6.35-630ST



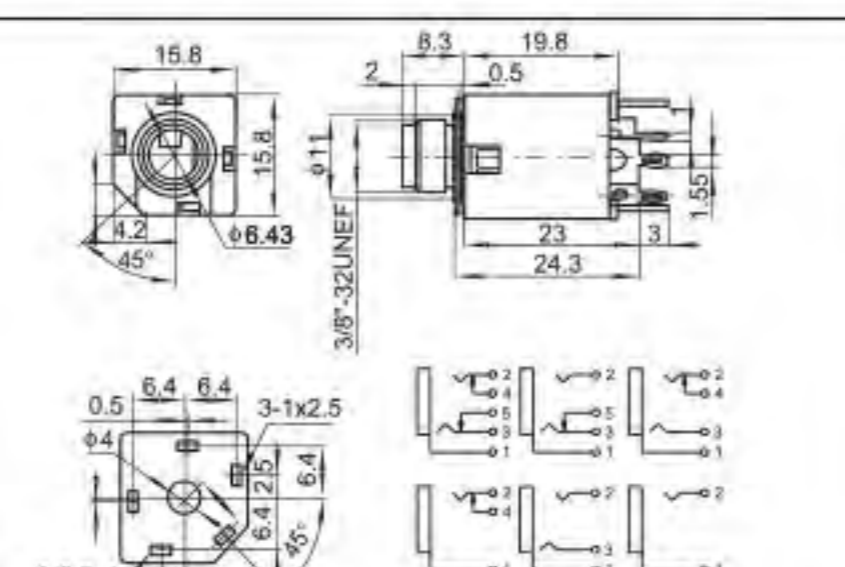
CK-6.35-630C



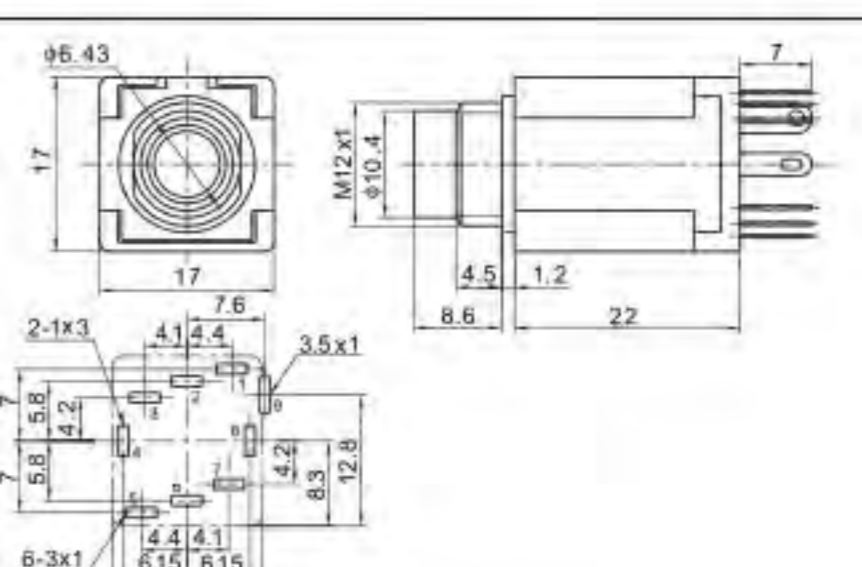
CK-6.35-631



CK-6.35-630V

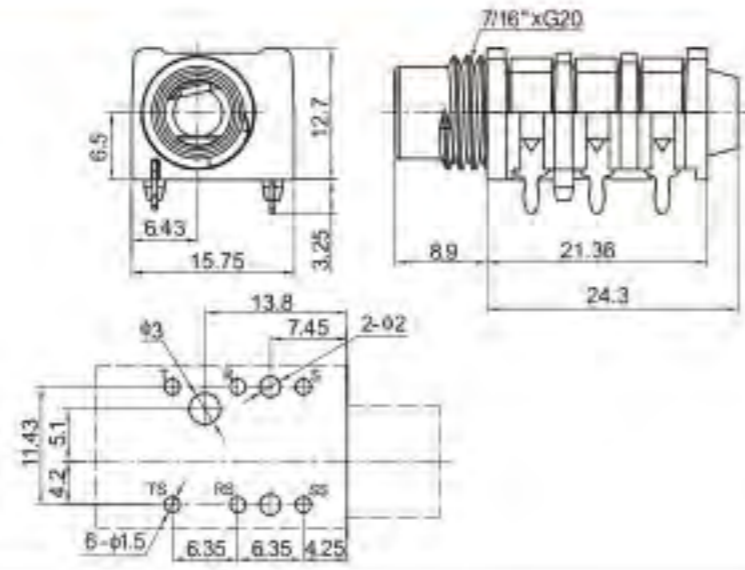


CK-6.35-633

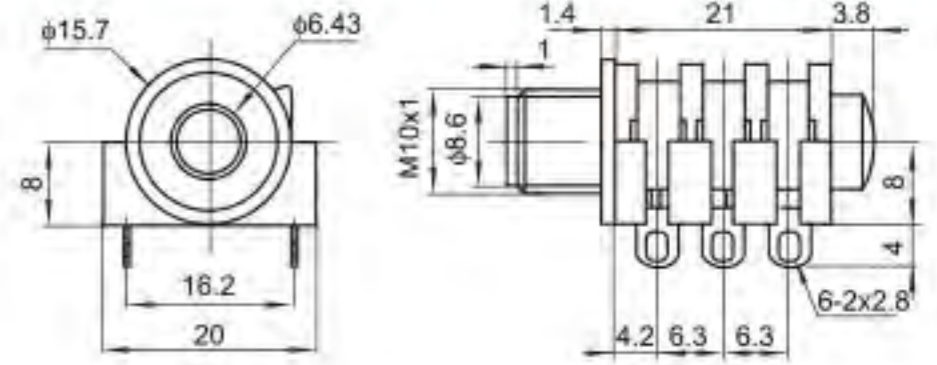




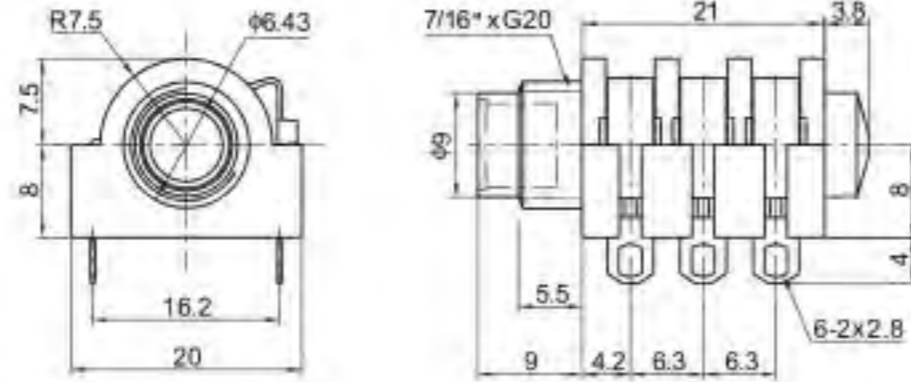




CK-6.35-636VS



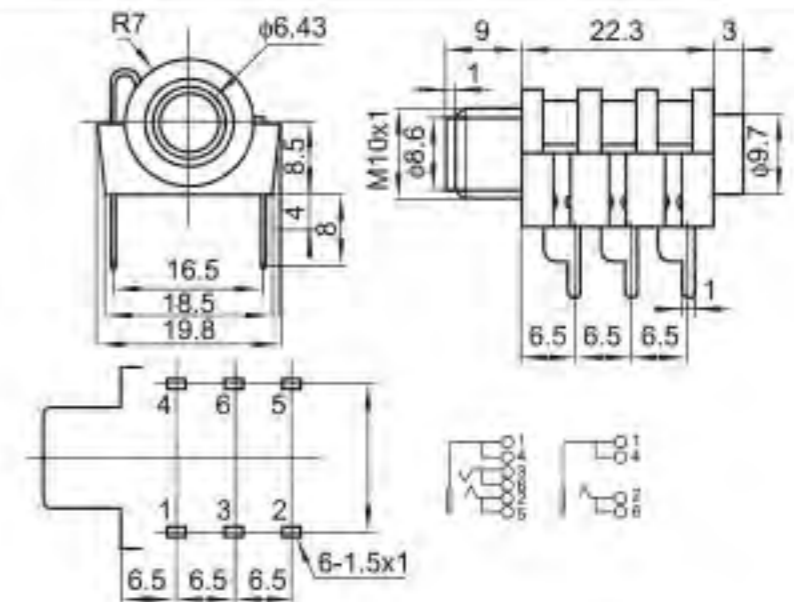
CK-6.35-639



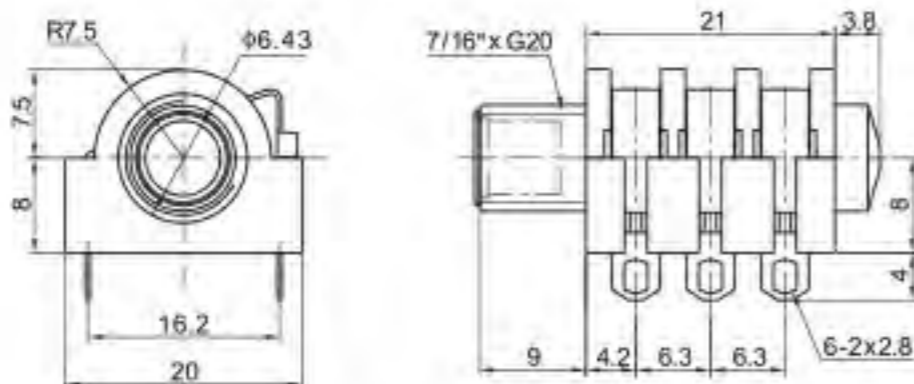
CK-6.35-637VS



CK-6.35-637VNT



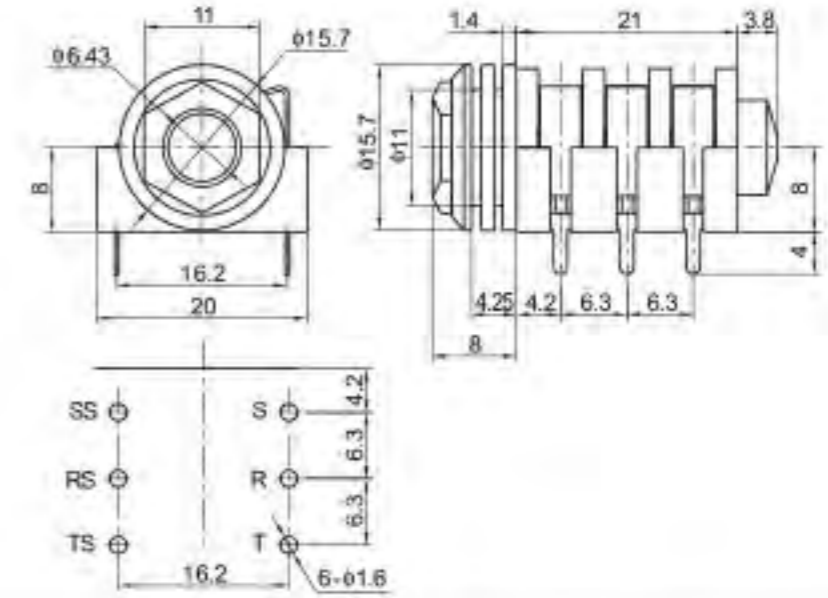
CK-6.35-641T



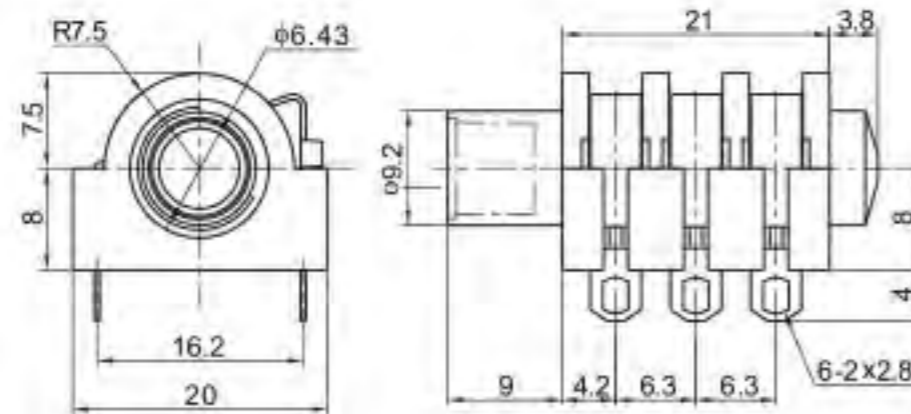
CK-6.35-637S



CK-6.35-637NT



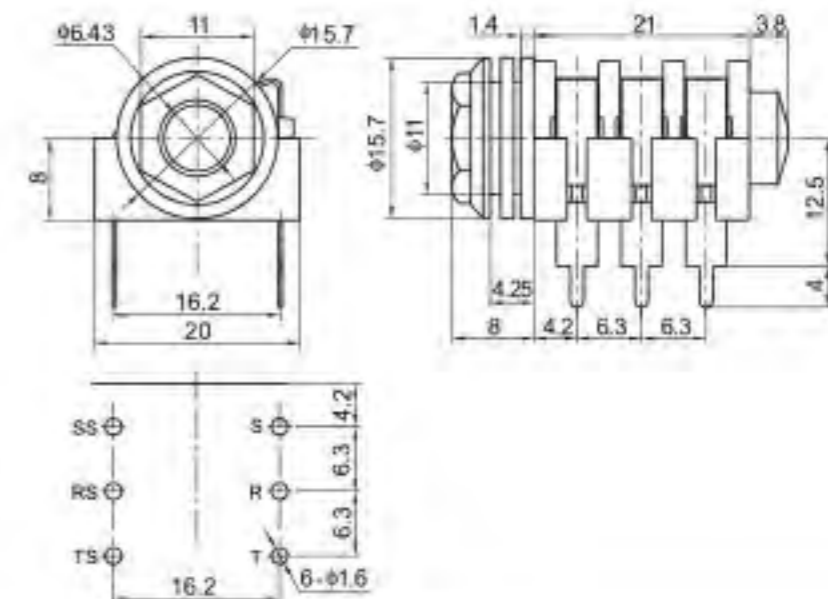
CK-6.35-644



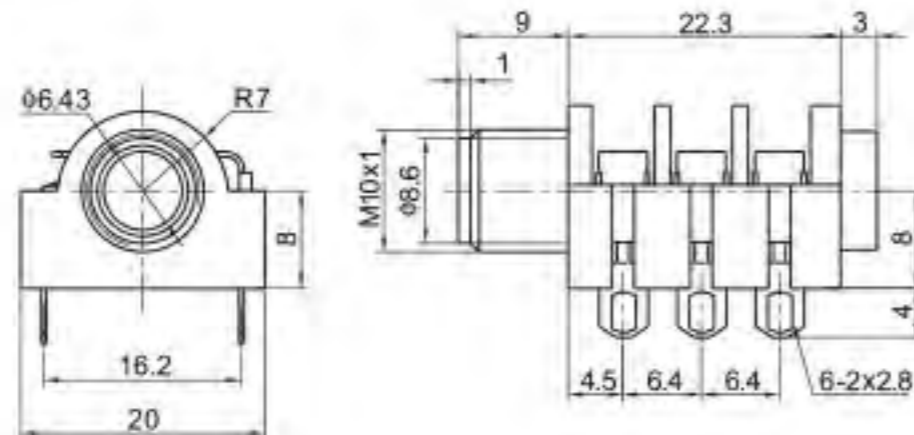
CK-6.35-637WS



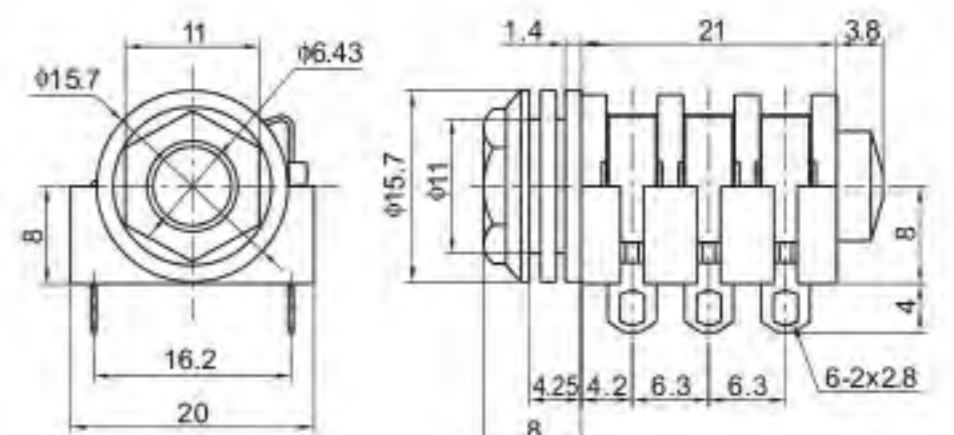
CK-6.35-637WNT



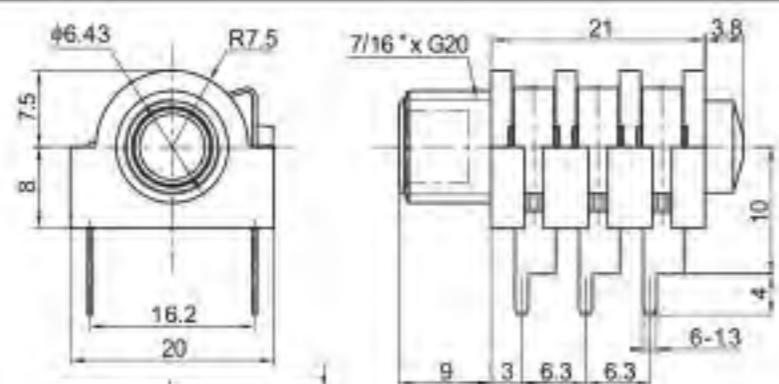
CK-6.35-645



CK-6.35-637T



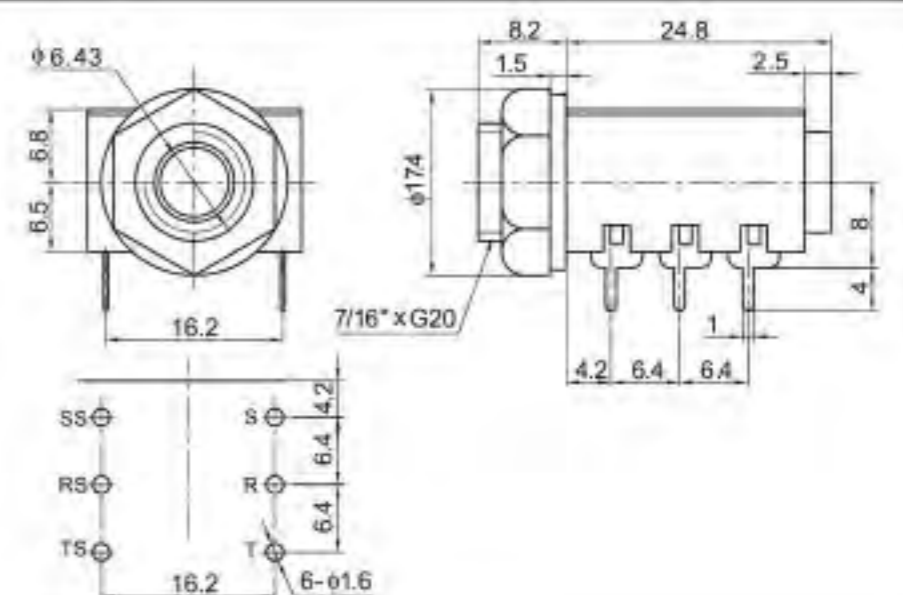
CK-6.35-647



CK-6.35-638S

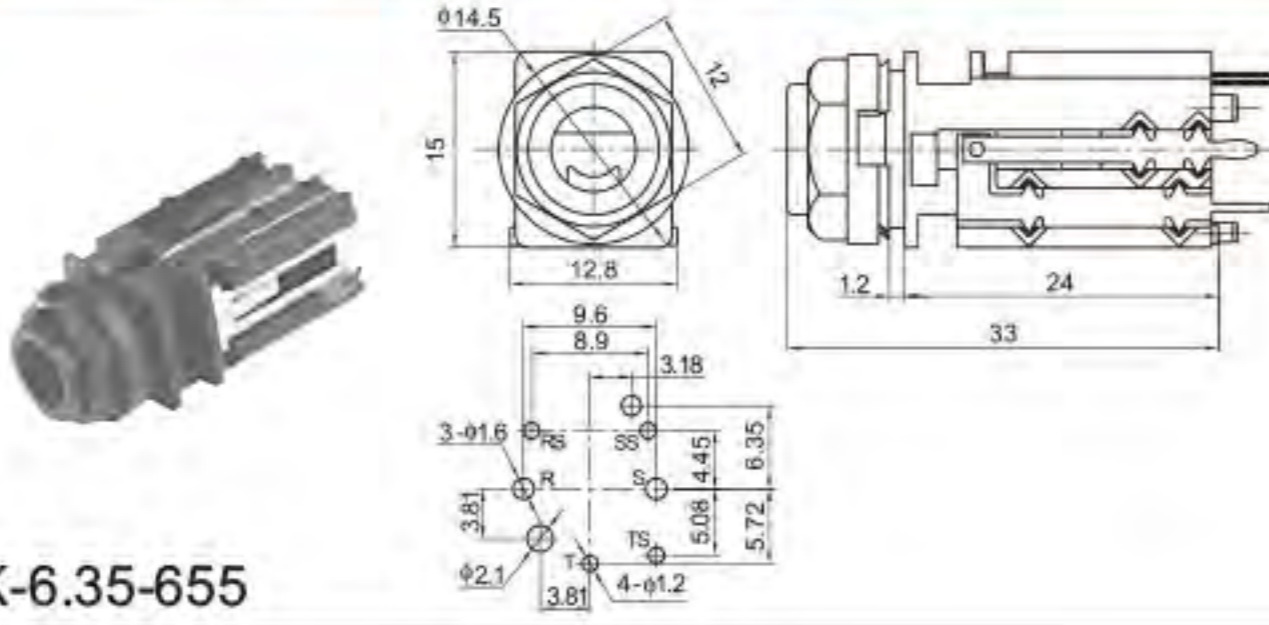


CK-6.35-638NT

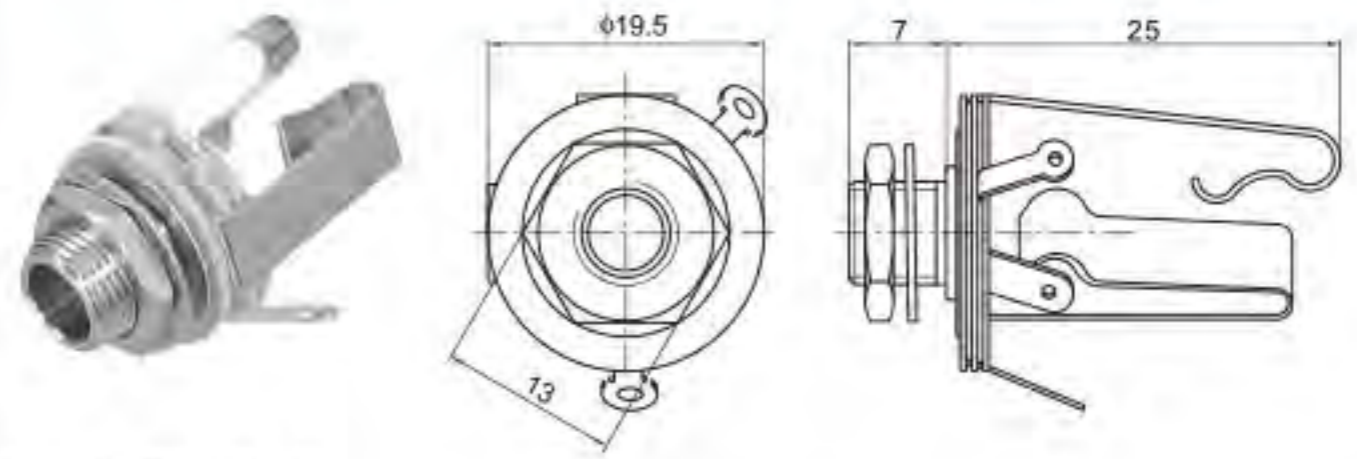


CK-6.35-653

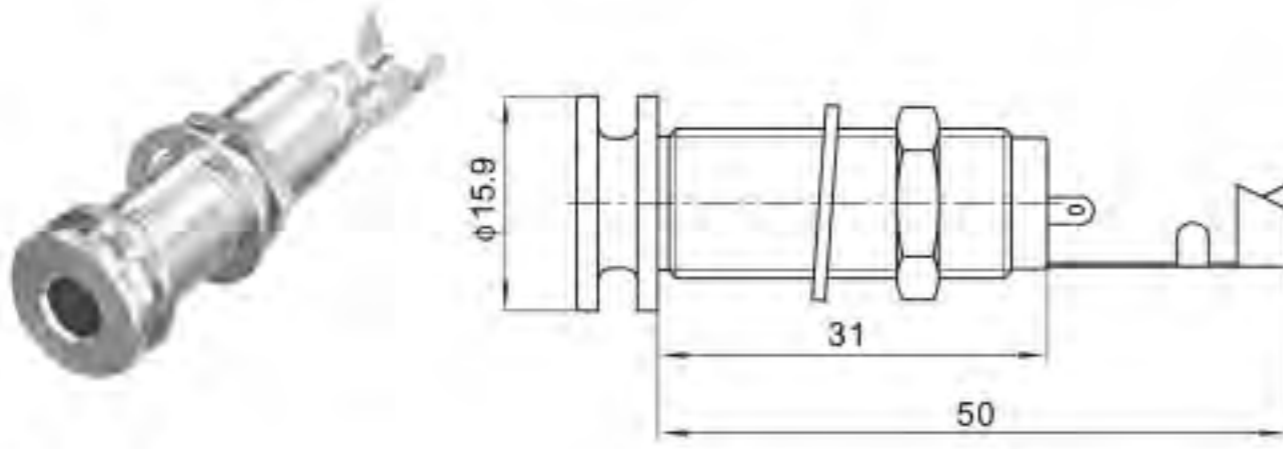
CK-6.35-655



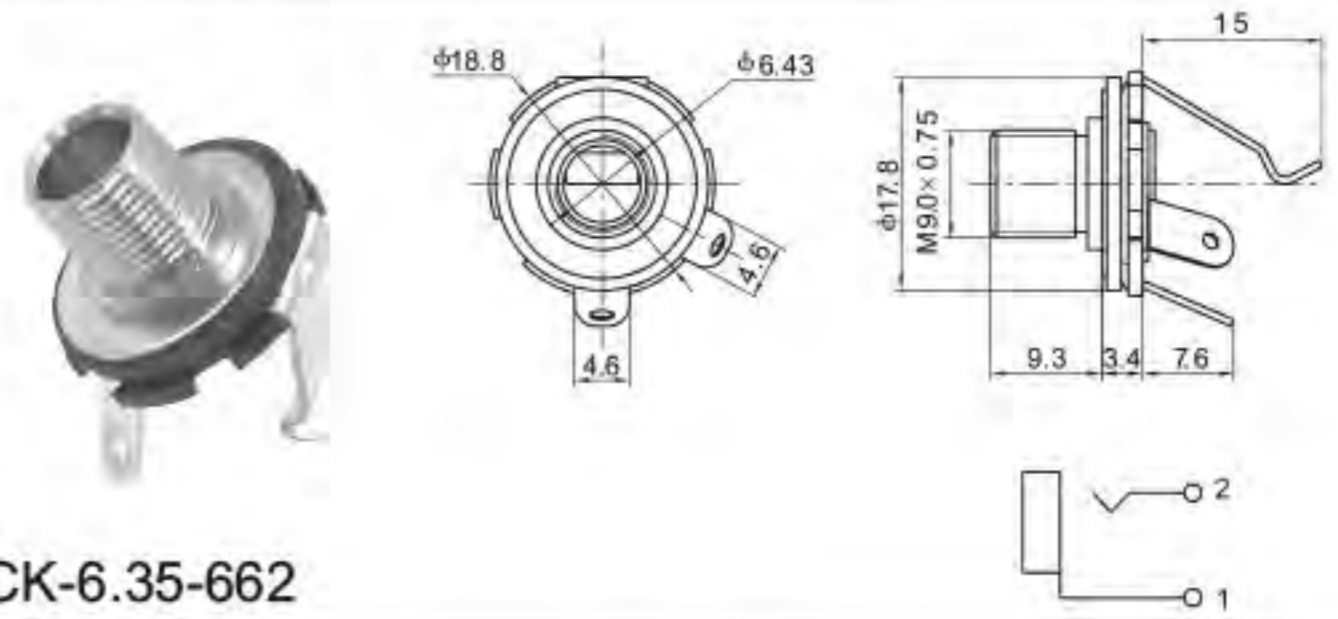
CK-6.35-661



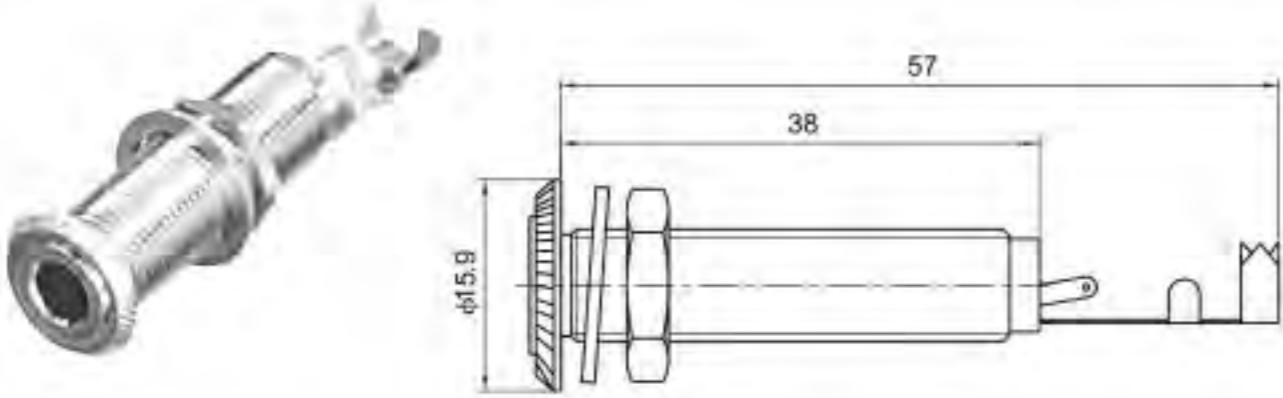
CK-6.35-656



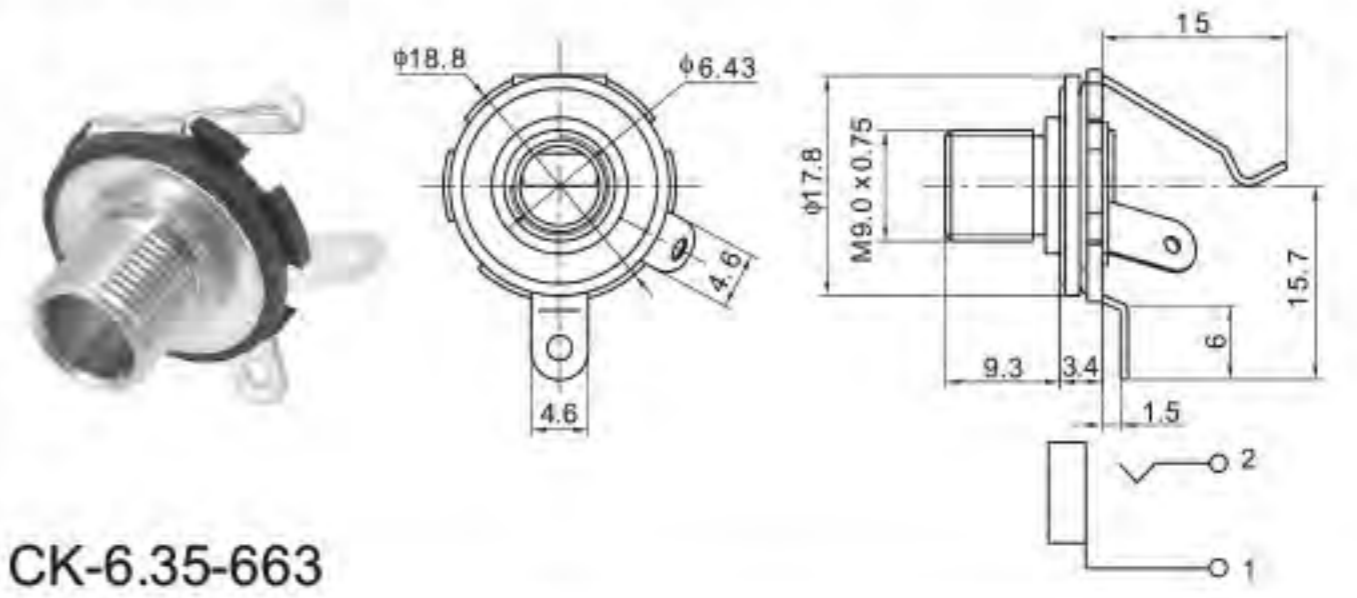
CK-6.35-662



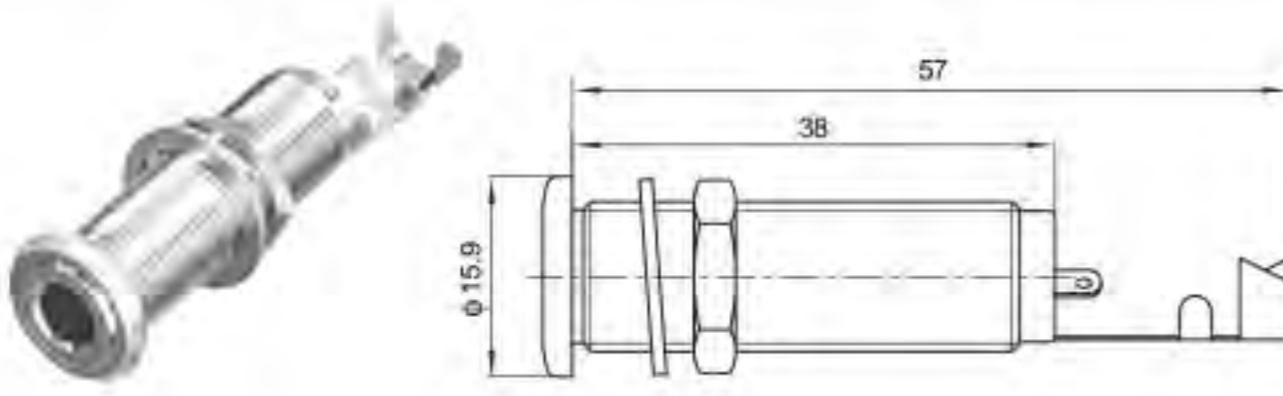
CK-6.35-657



CK-6.35-663

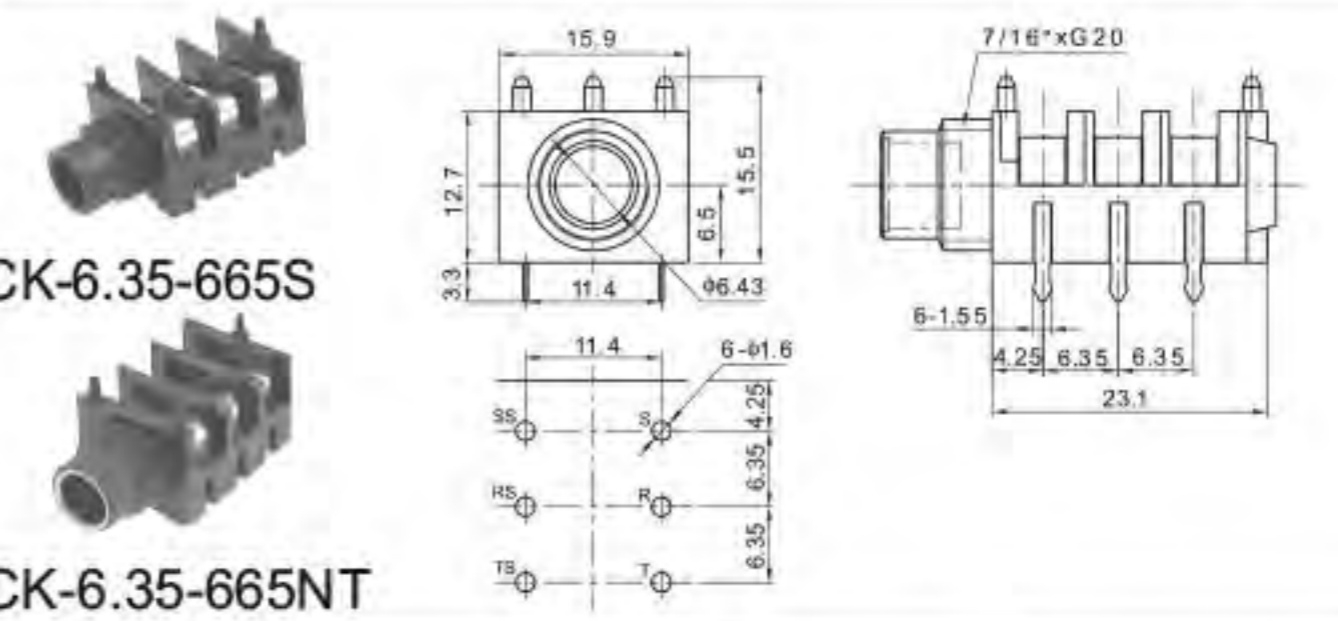


CK-6.35-658

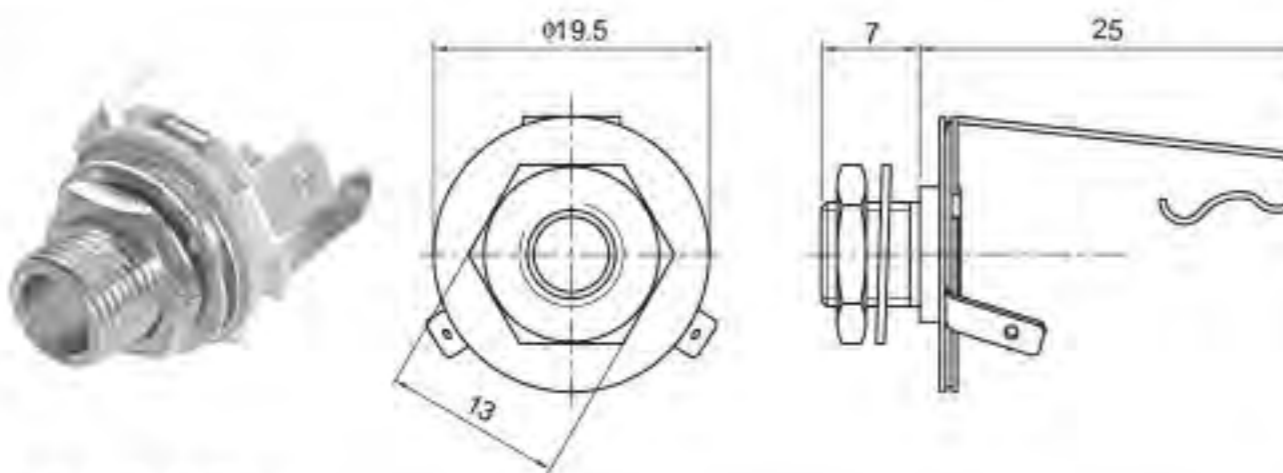


CK-6.35-665S

CK-6.35-665NT

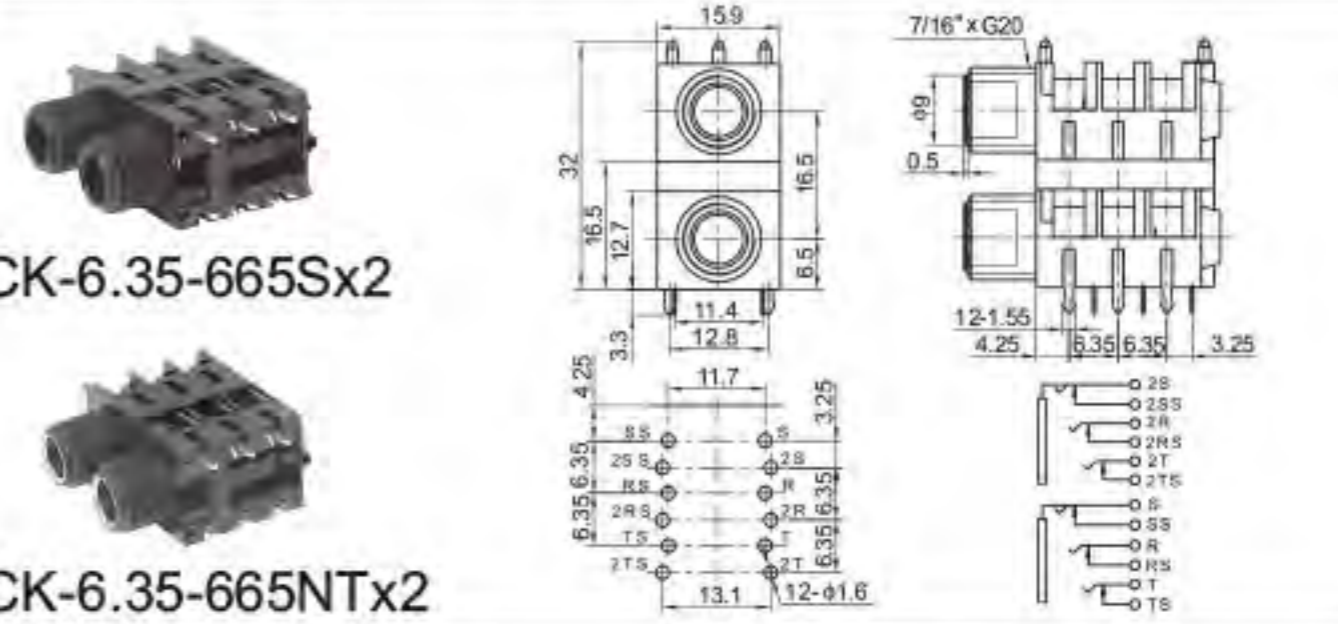


CK-6.35-659

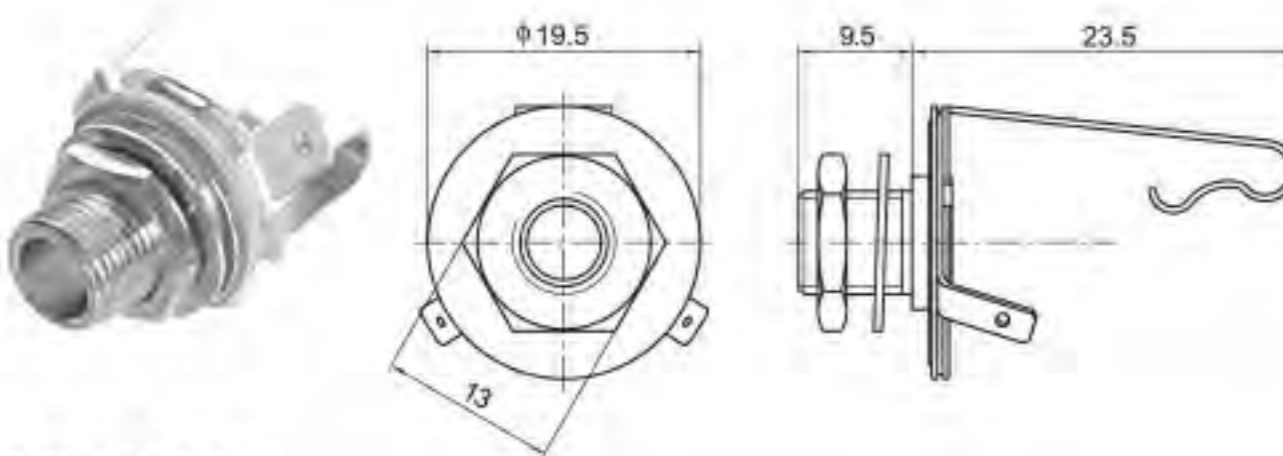


CK-6.35-665Sx2

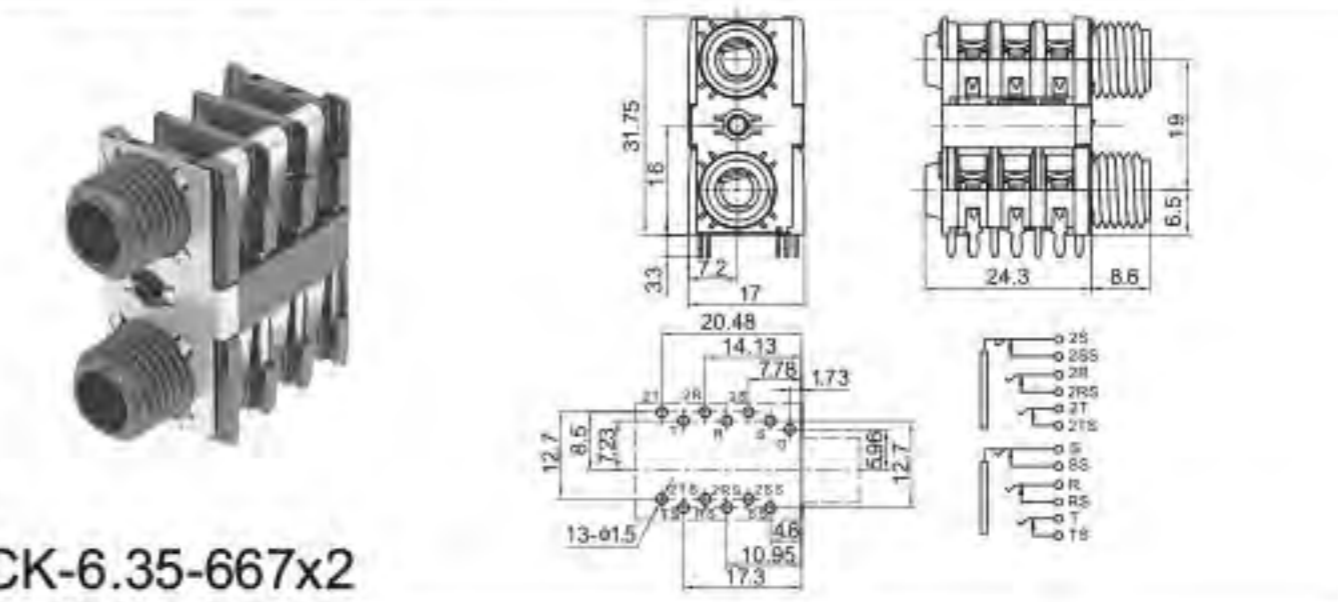
CK-6.35-665NTx2



CK-6.35-660



CK-6.35-667x2



**CK-6.35-102S-9**

**CK-6.35-102-9**

**CK-6.35-202S-11.5**

**CK-6.35-202-11.5**

**CK-6.35-102S-11.5**

**CK-6.35-102-11.5**

**CK-6.35-205**

**CK-6.35-103S**

**CK-6.35-103**

**CK-6.35-205A**

**CK-6.35-105S**

**CK-6.35-105**

**CK-6.35-206S**

**CK-6.35-206**

**CK-6.35-106S**

**CK-6.35-106**

**CK-6.35-302S**

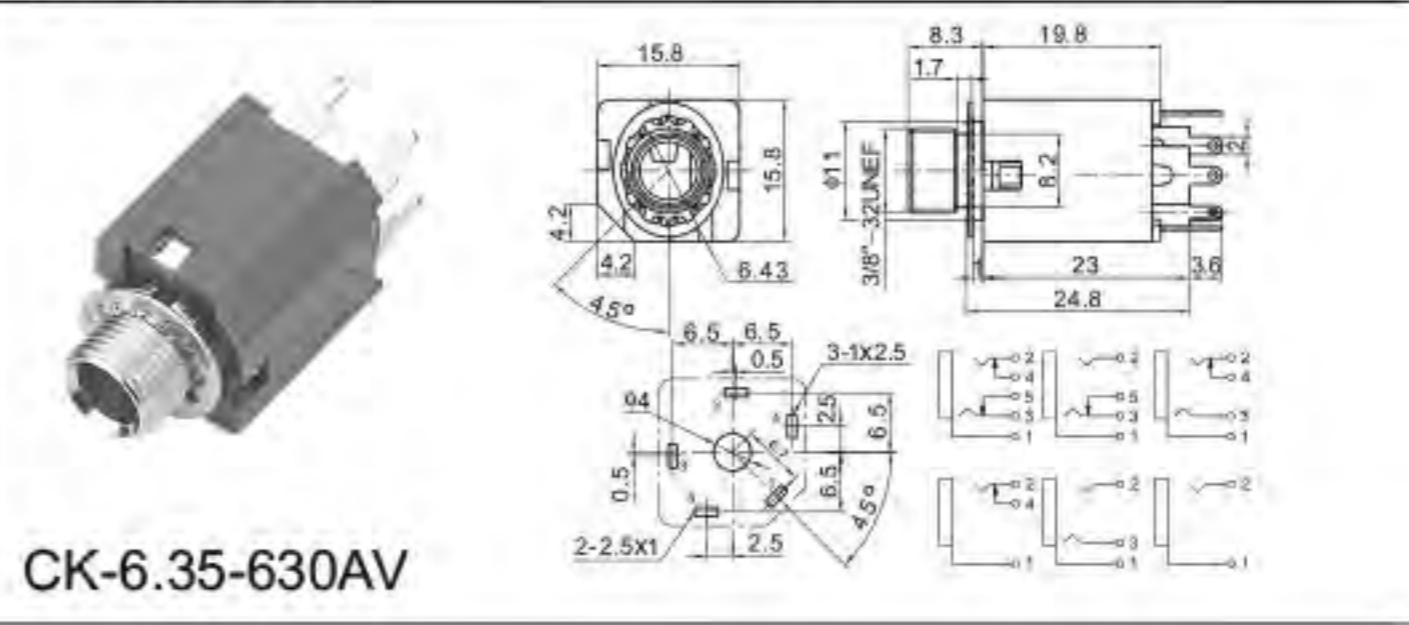
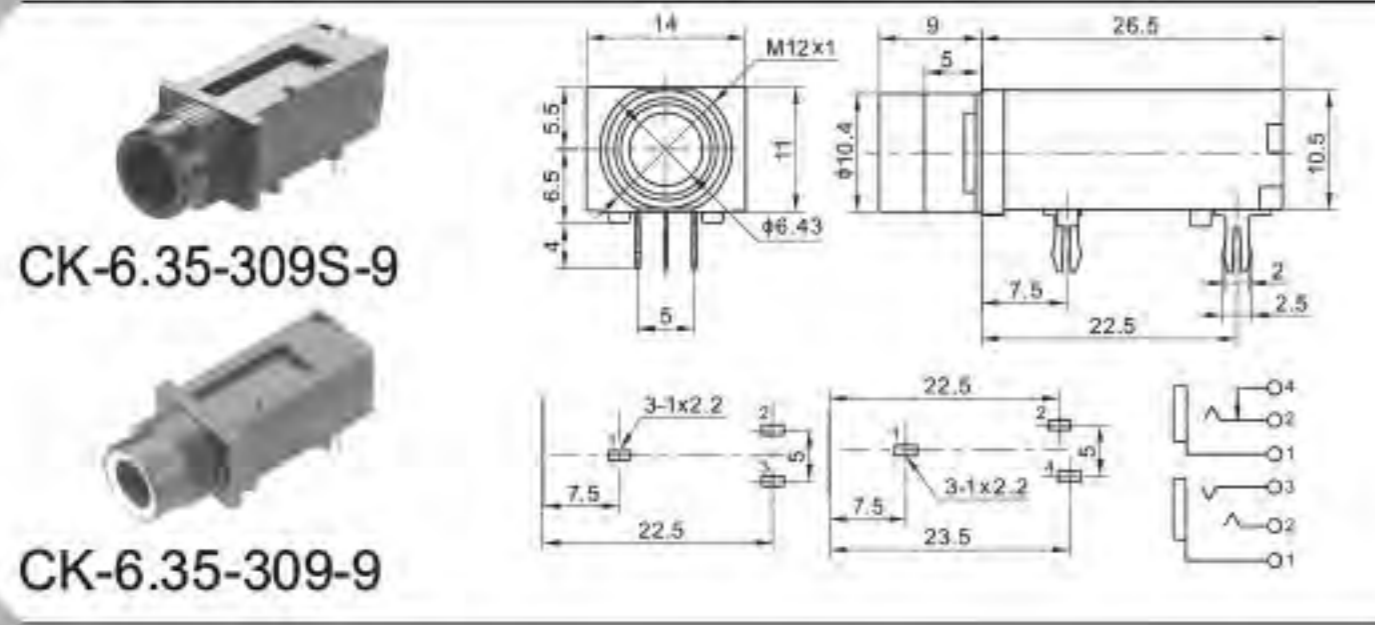
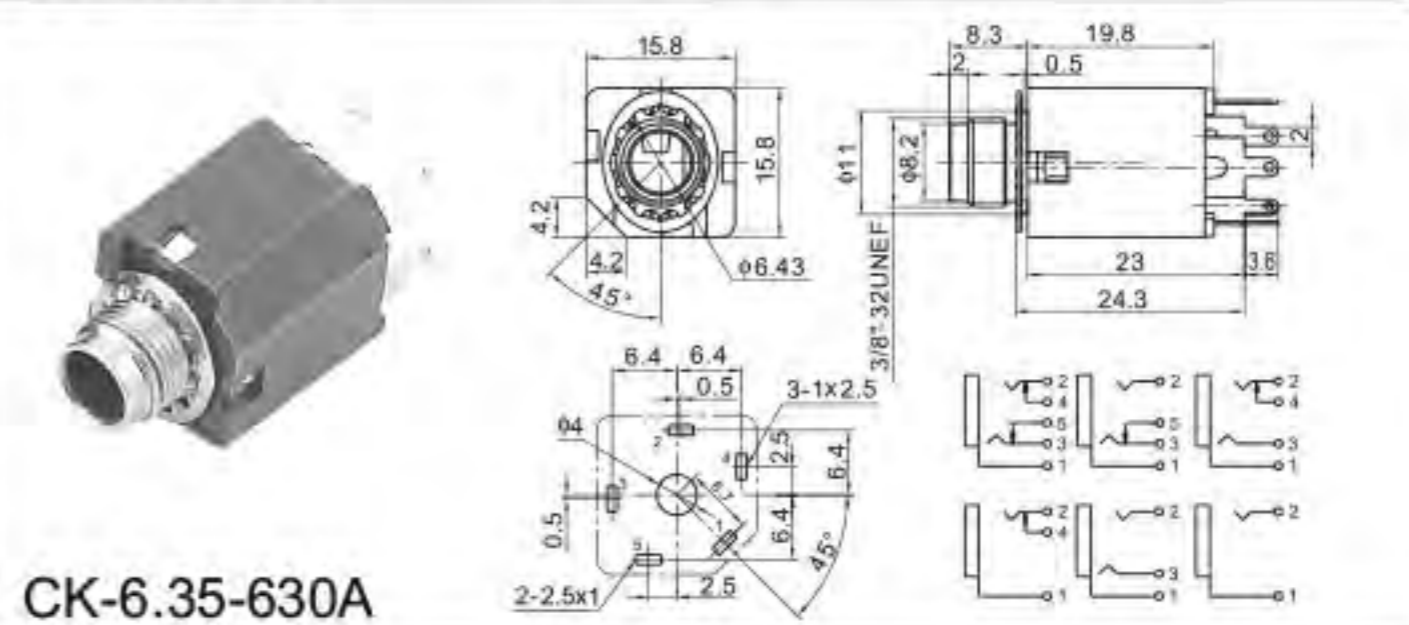
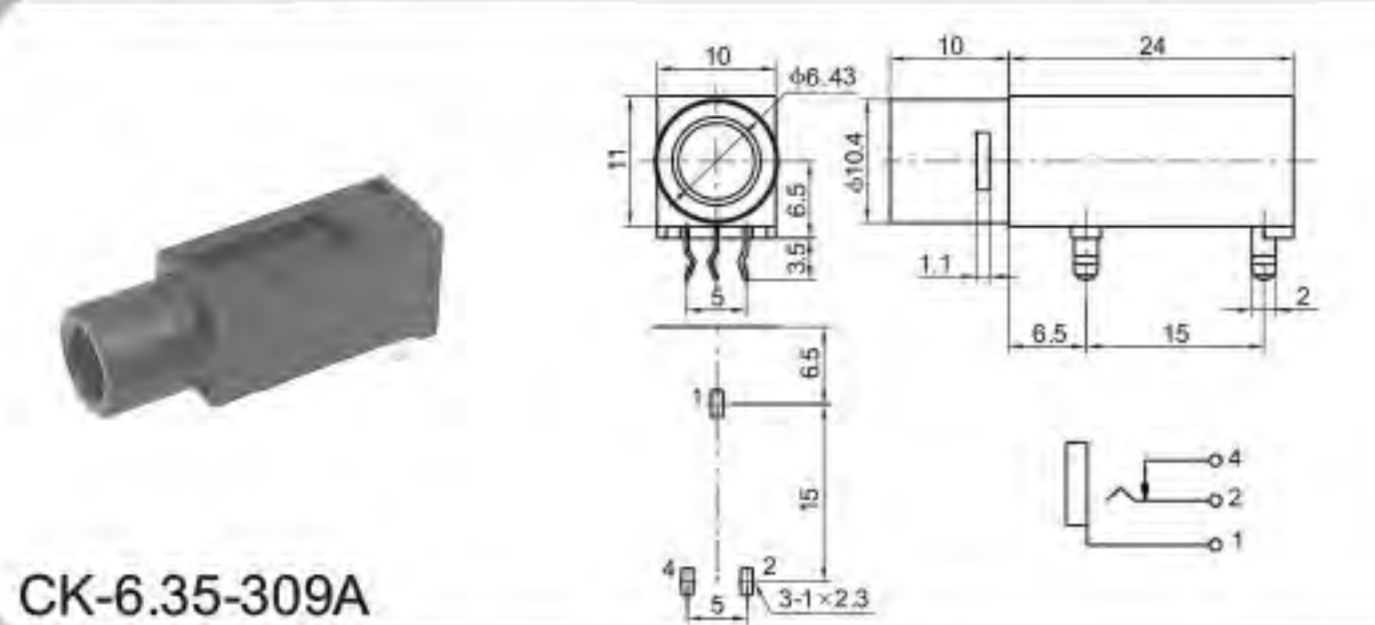
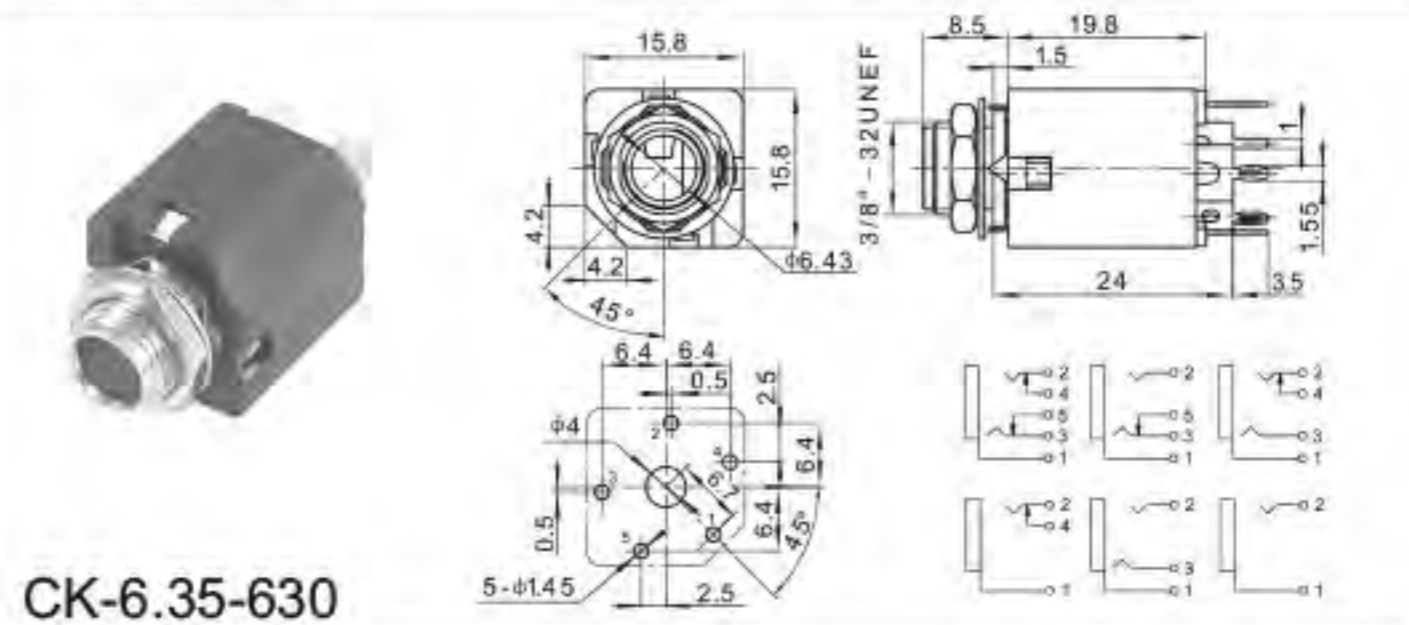
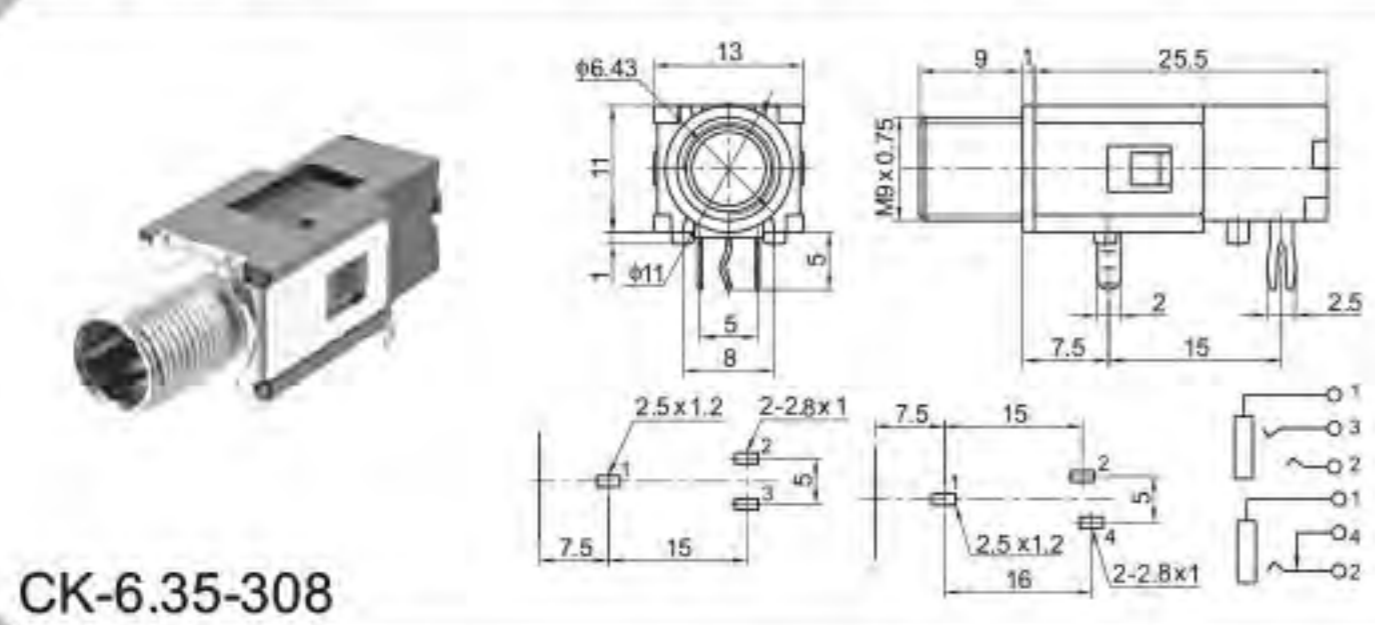
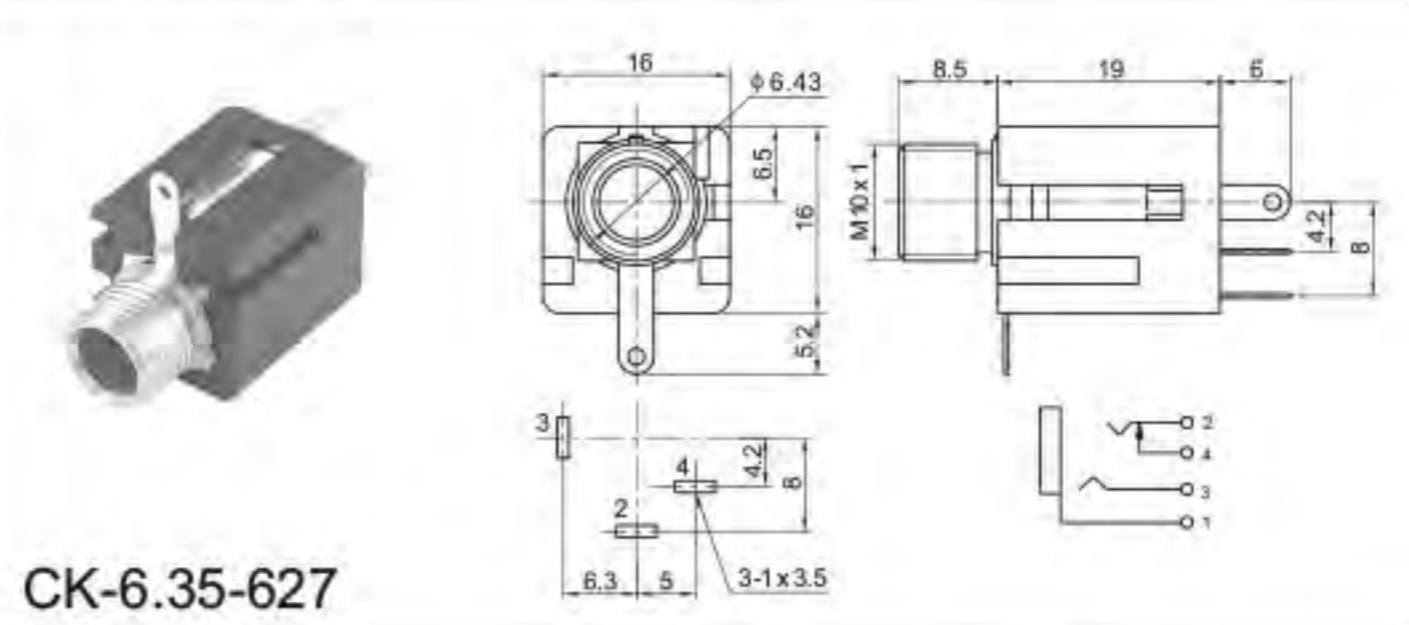
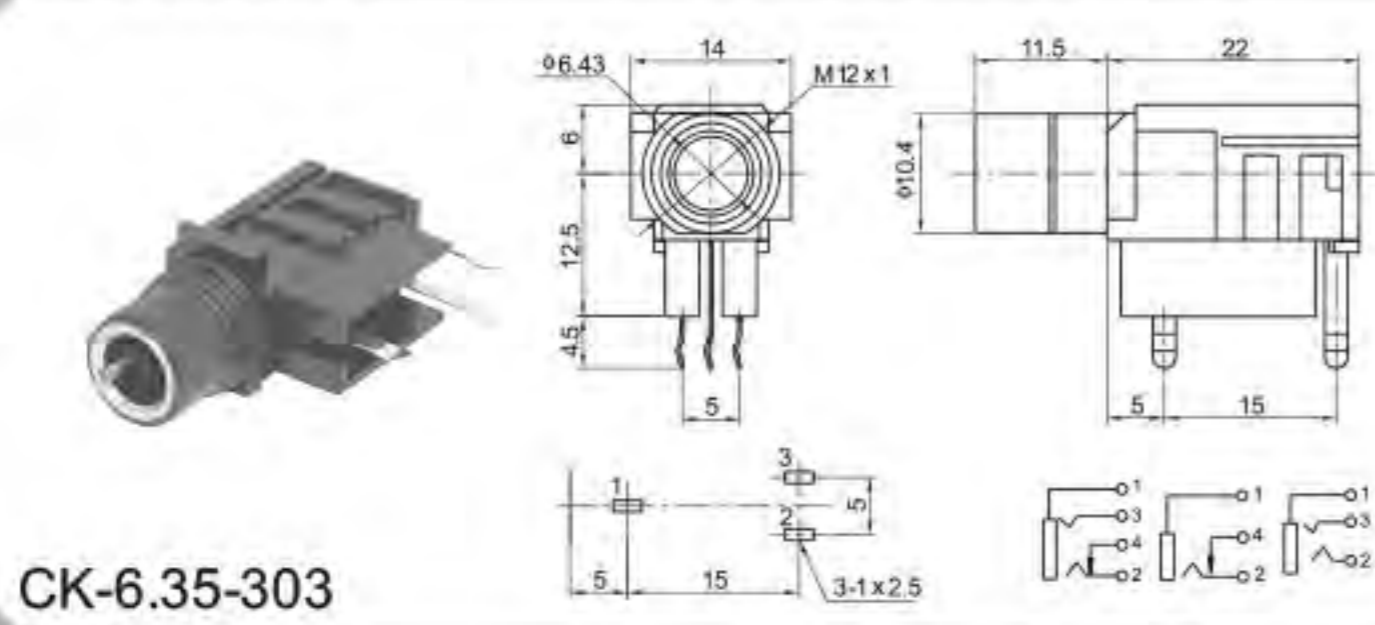
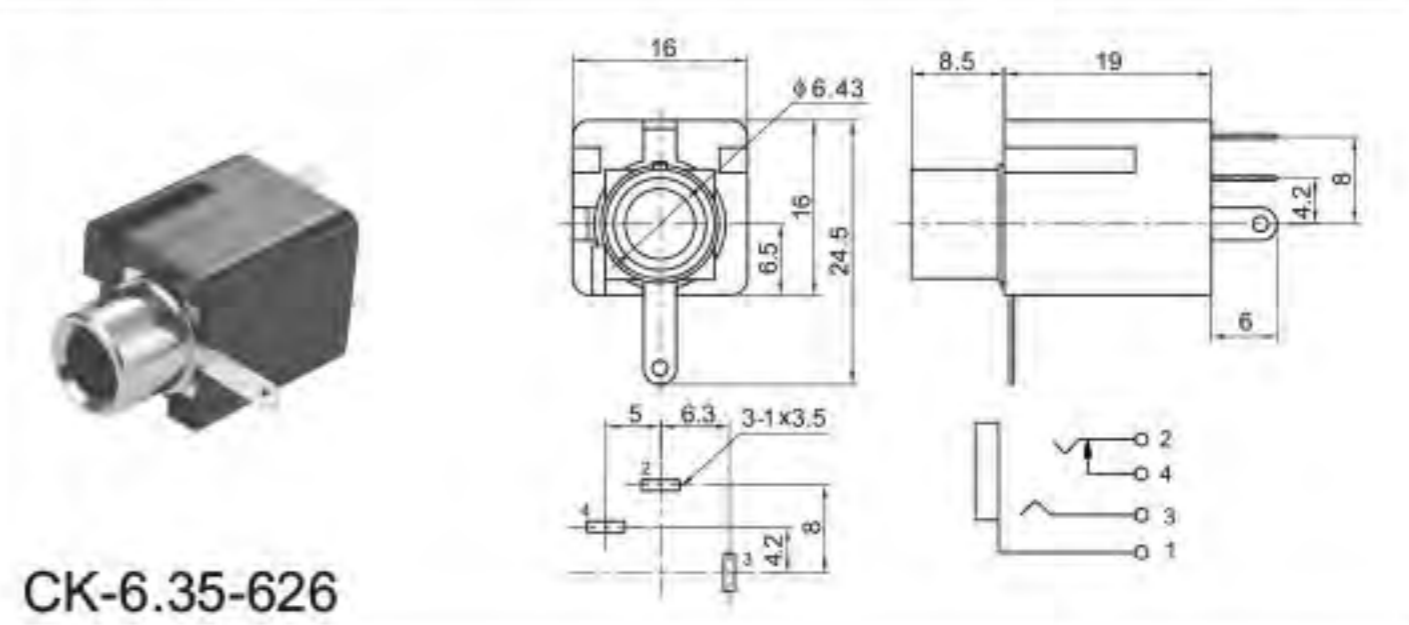
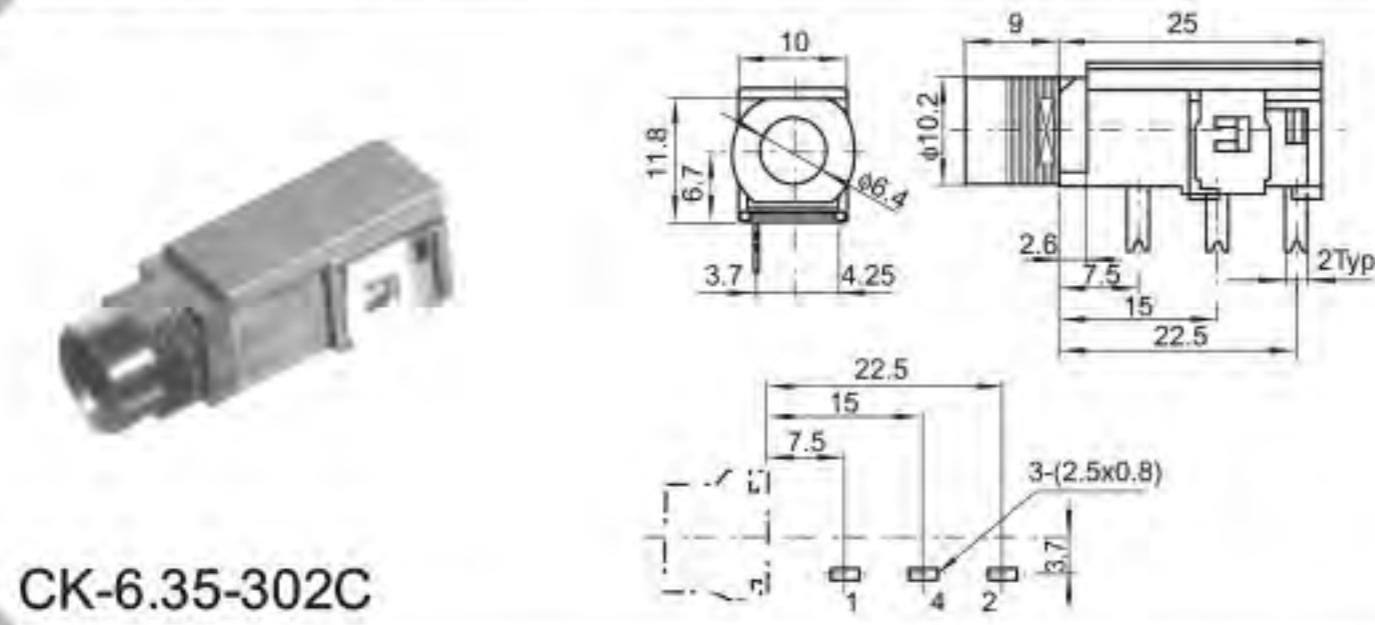
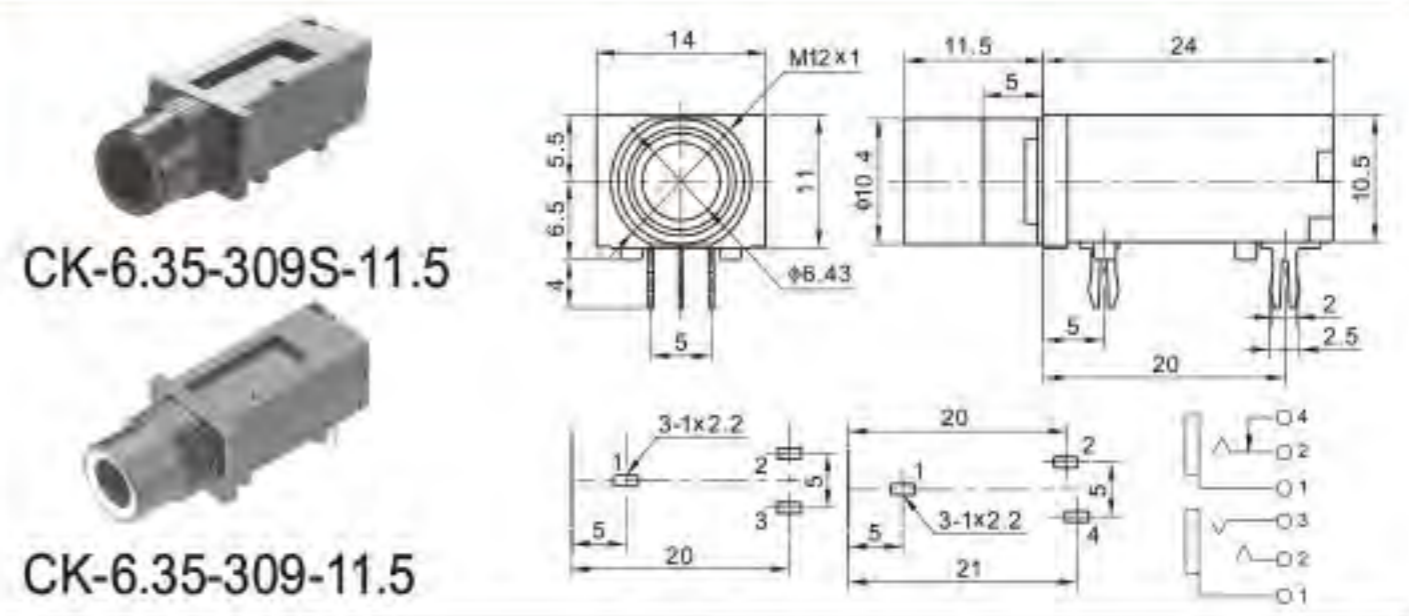
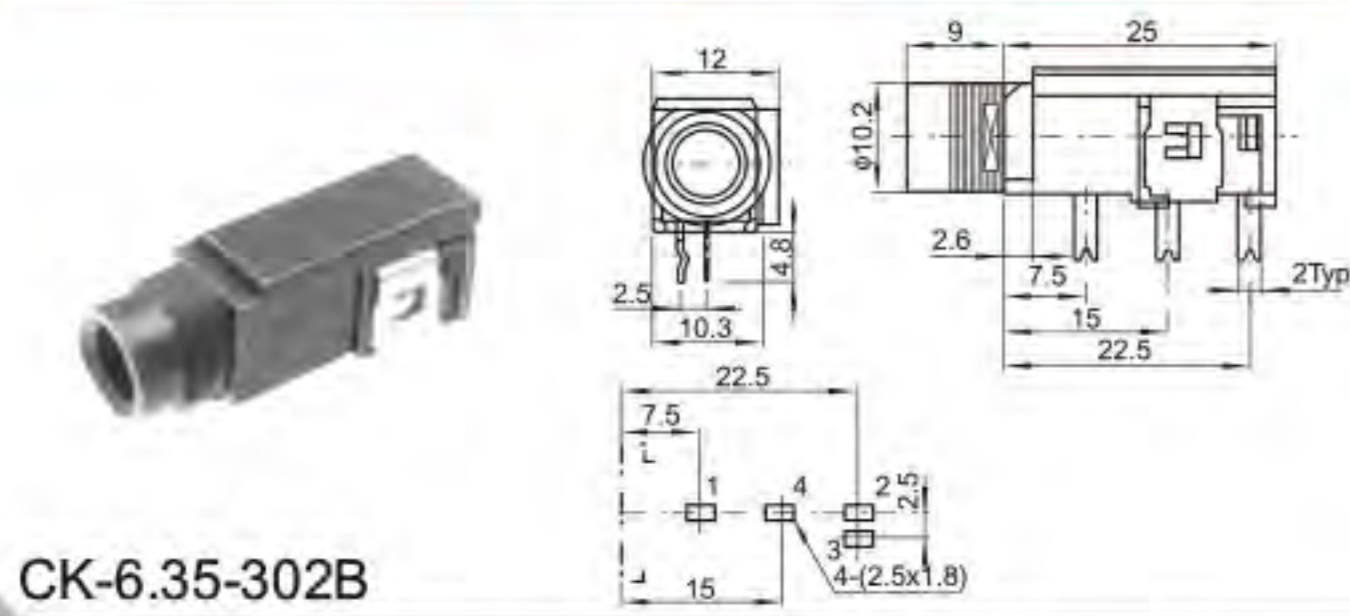
**CK-6.35-302**

PJ-60030	PJ-60030-1	PJ-60030-2
PJ-6003A	PJ-6003A-1	PJ-6003A-2

**CK-6.35-202S-9**

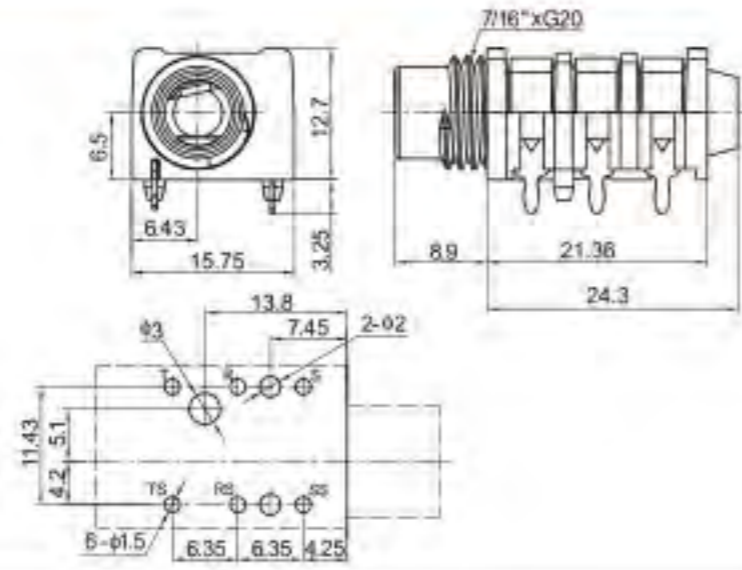
**CK-6.35-202-9**

**CK-6.35-302A**

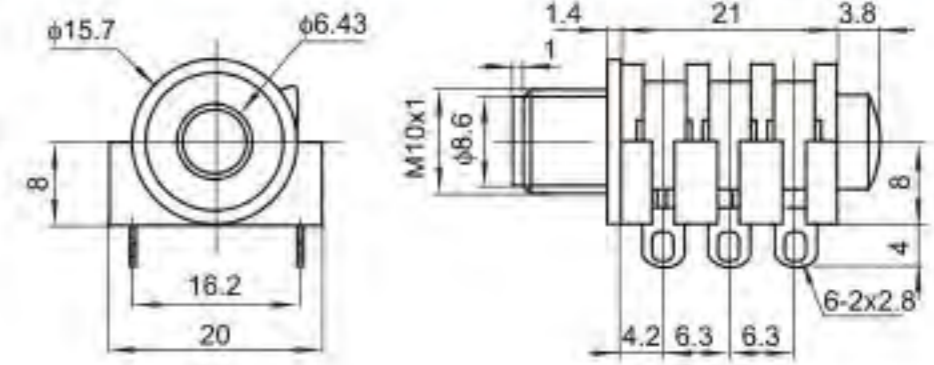




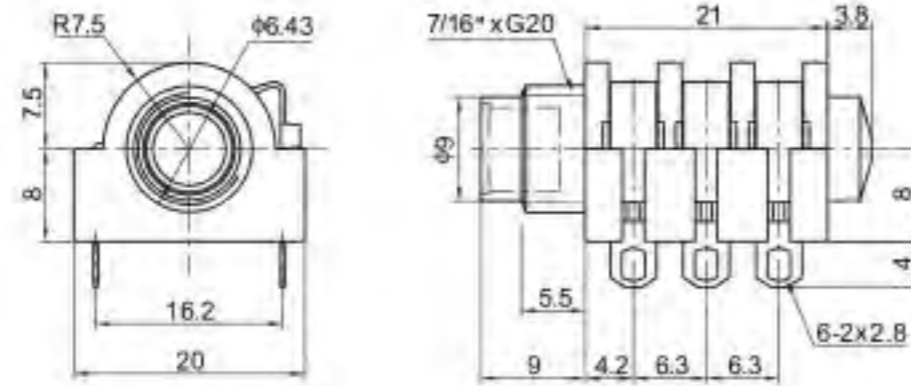




CK-6.35-636VS



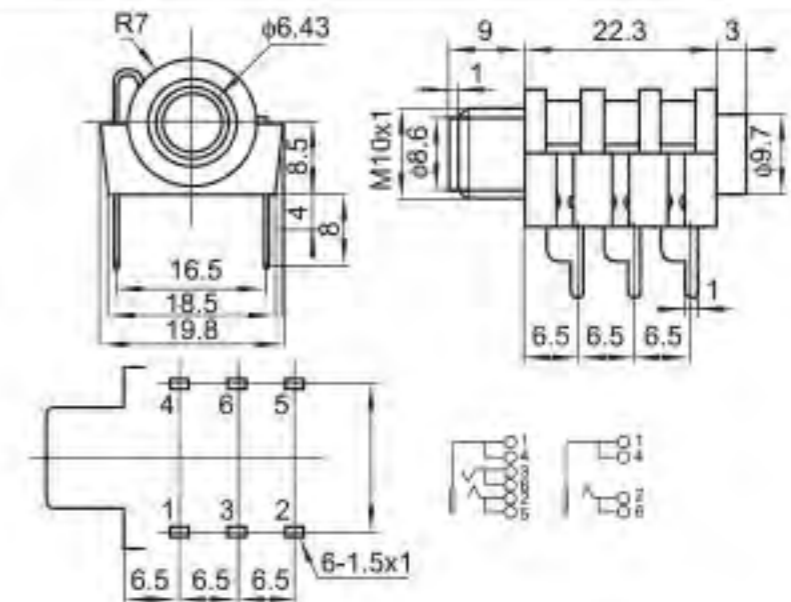
CK-6.35-639



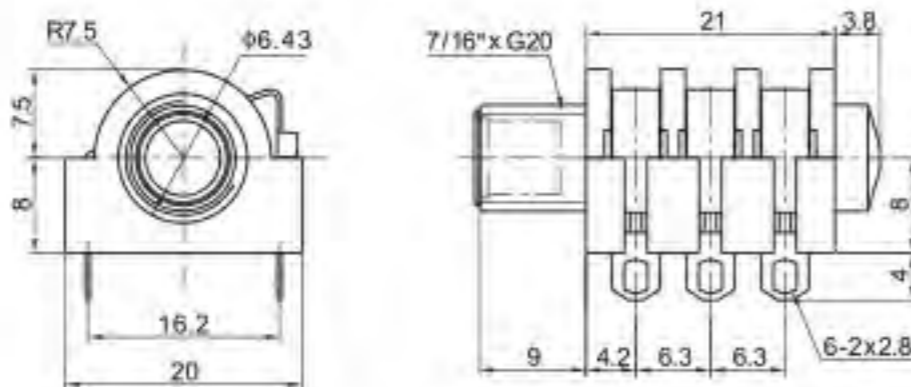
CK-6.35-637VS



CK-6.35-637VNT



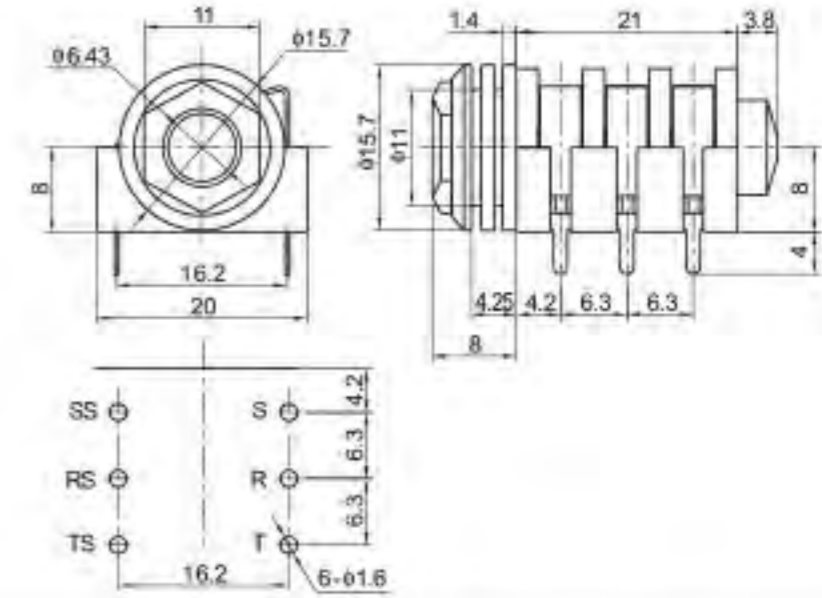
CK-6.35-641T



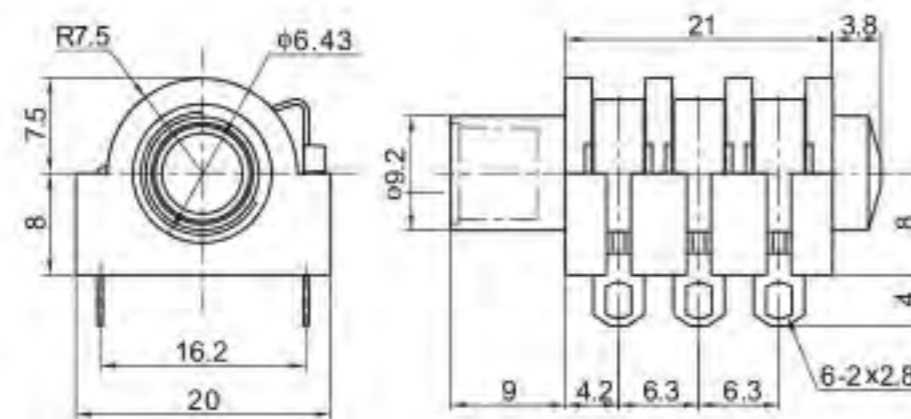
CK-6.35-637S



CK-6.35-637NT



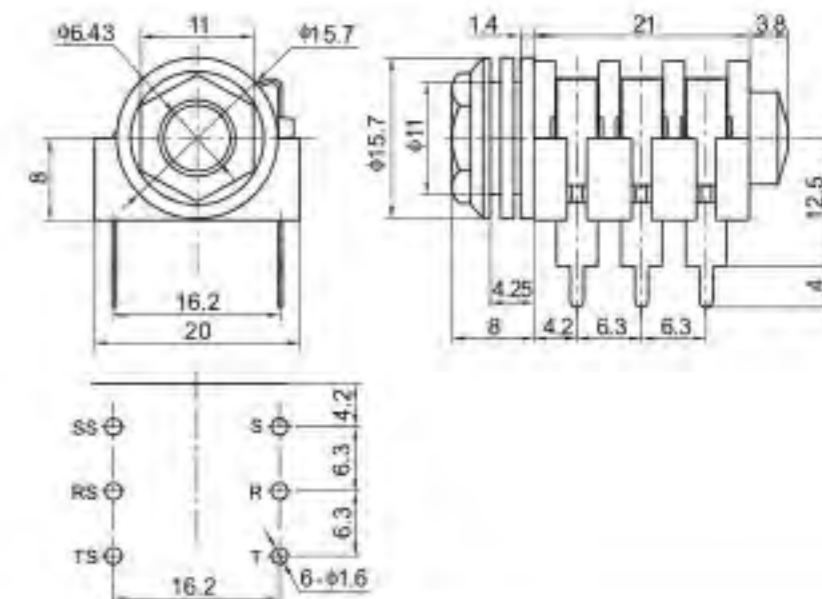
CK-6.35-644



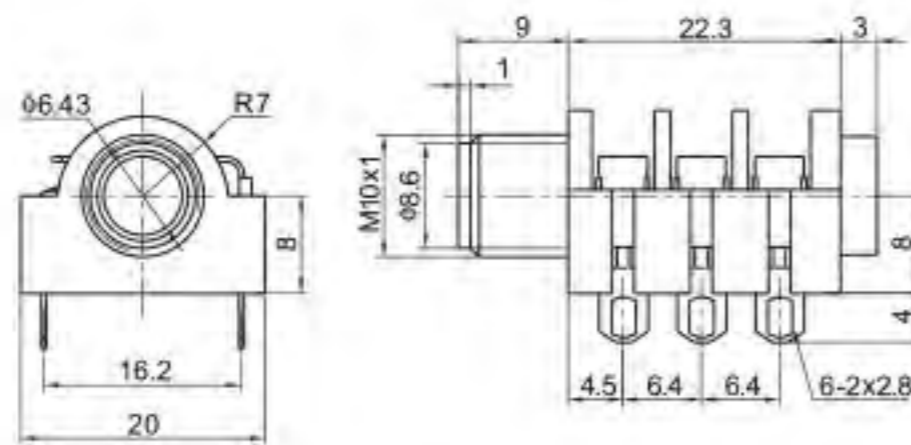
CK-6.35-637WS



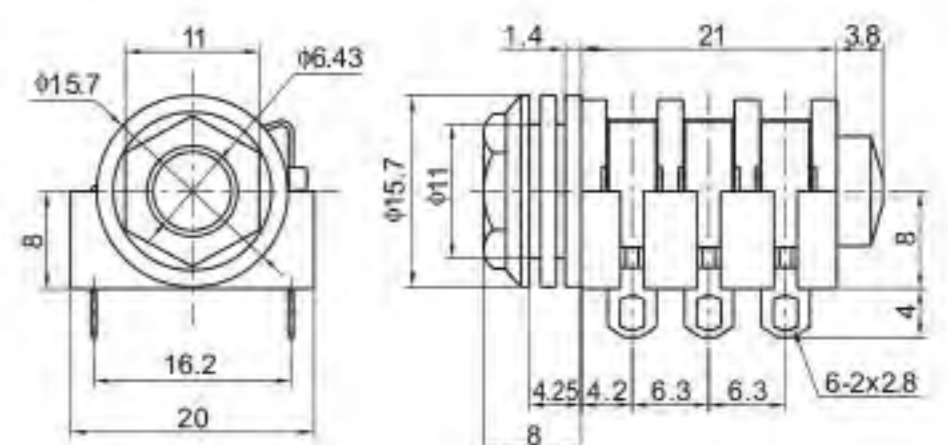
CK-6.35-637WNT



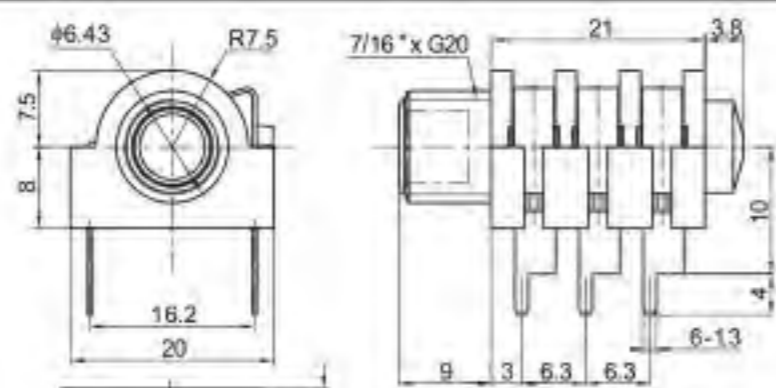
CK-6.35-645



CK-6.35-637T



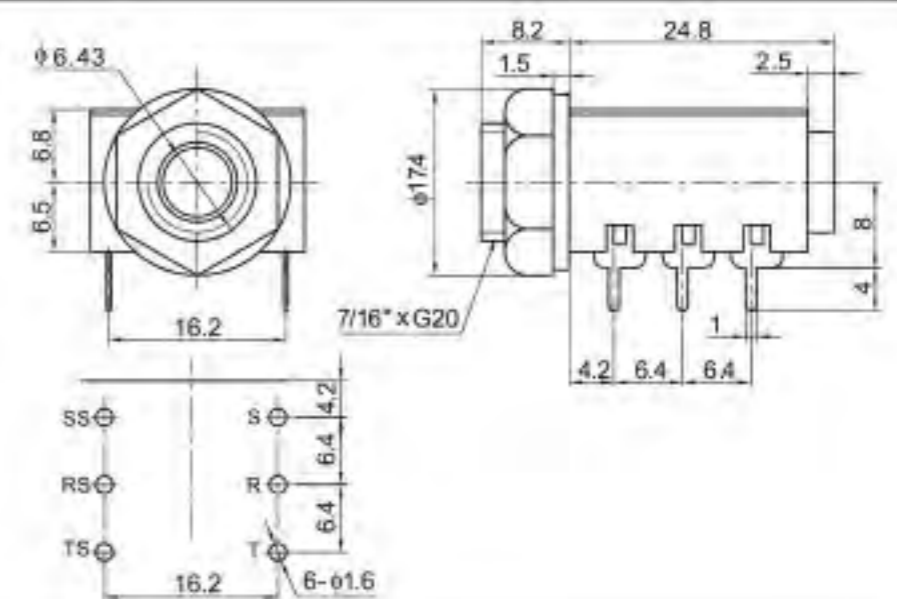
CK-6.35-647



CK-6.35-638S

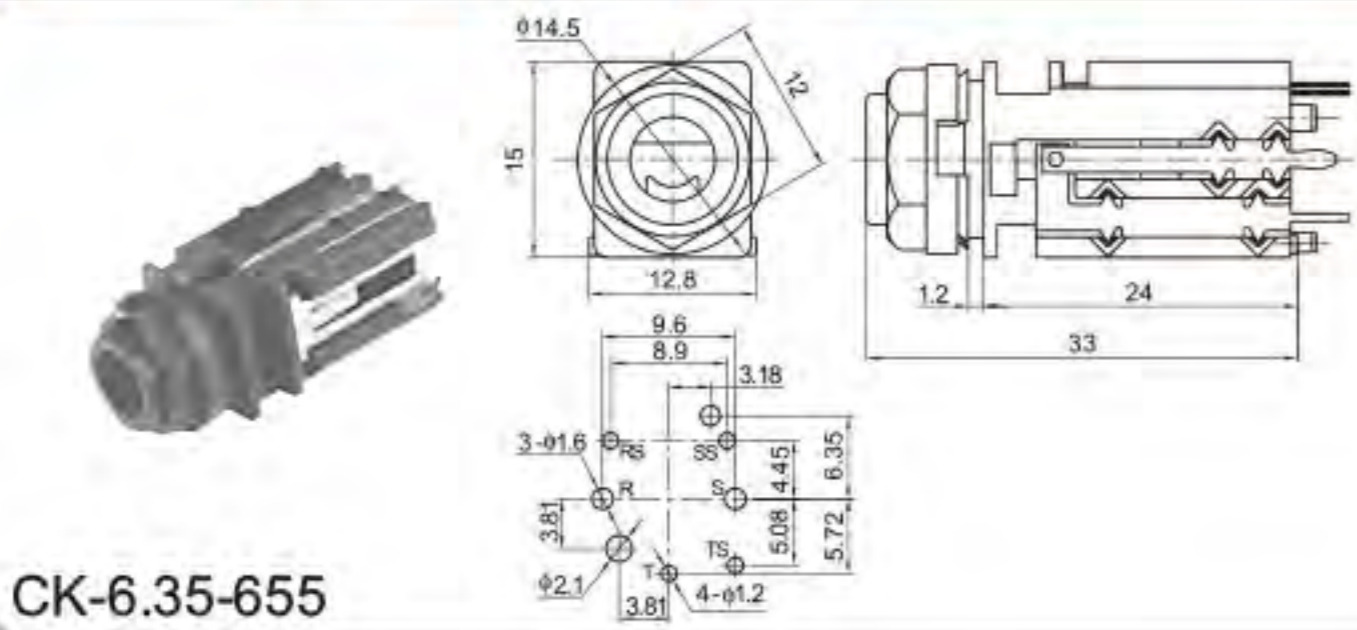


CK-6.35-638NT

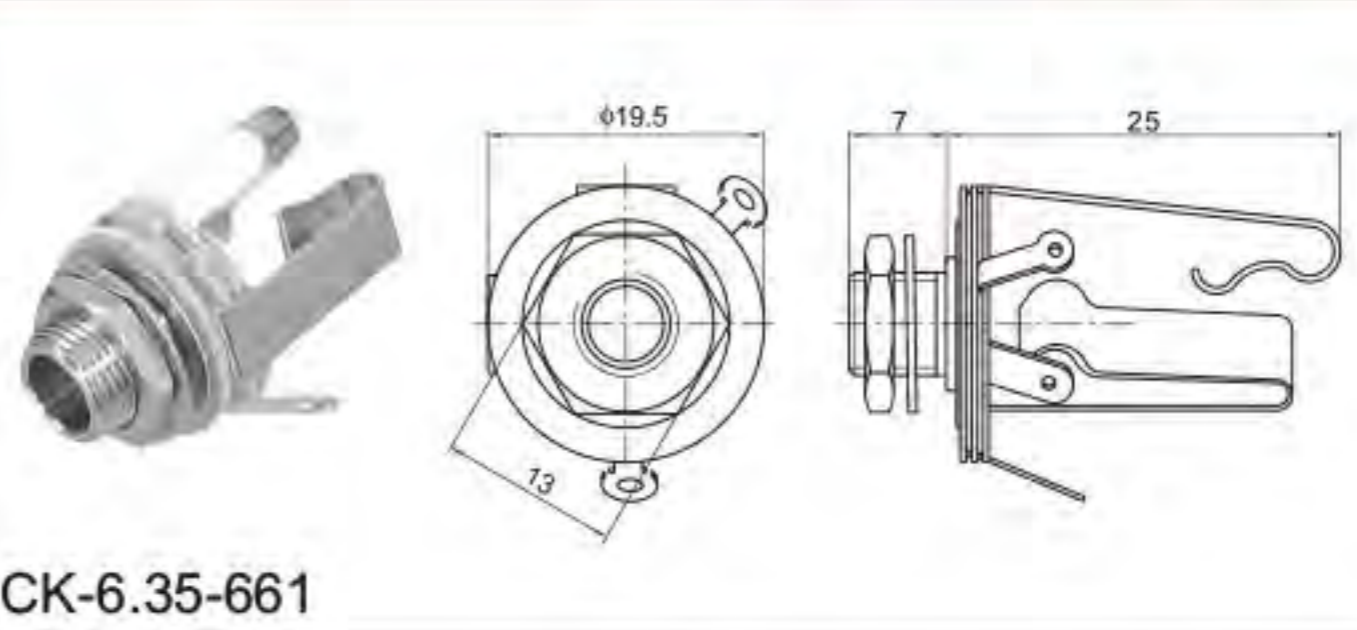


CK-6.35-653

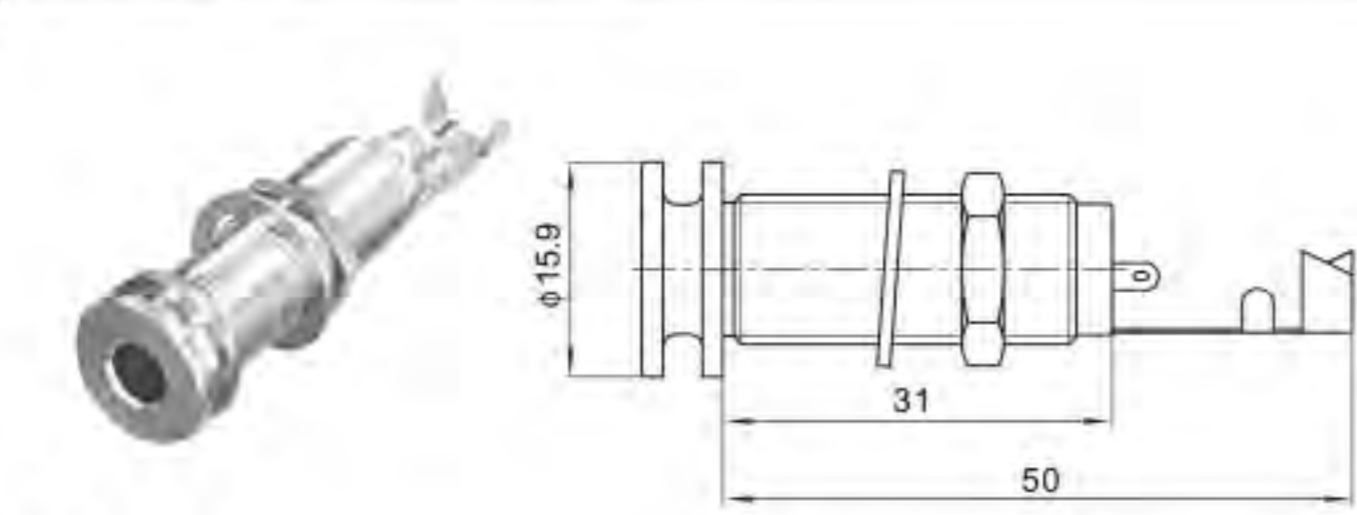




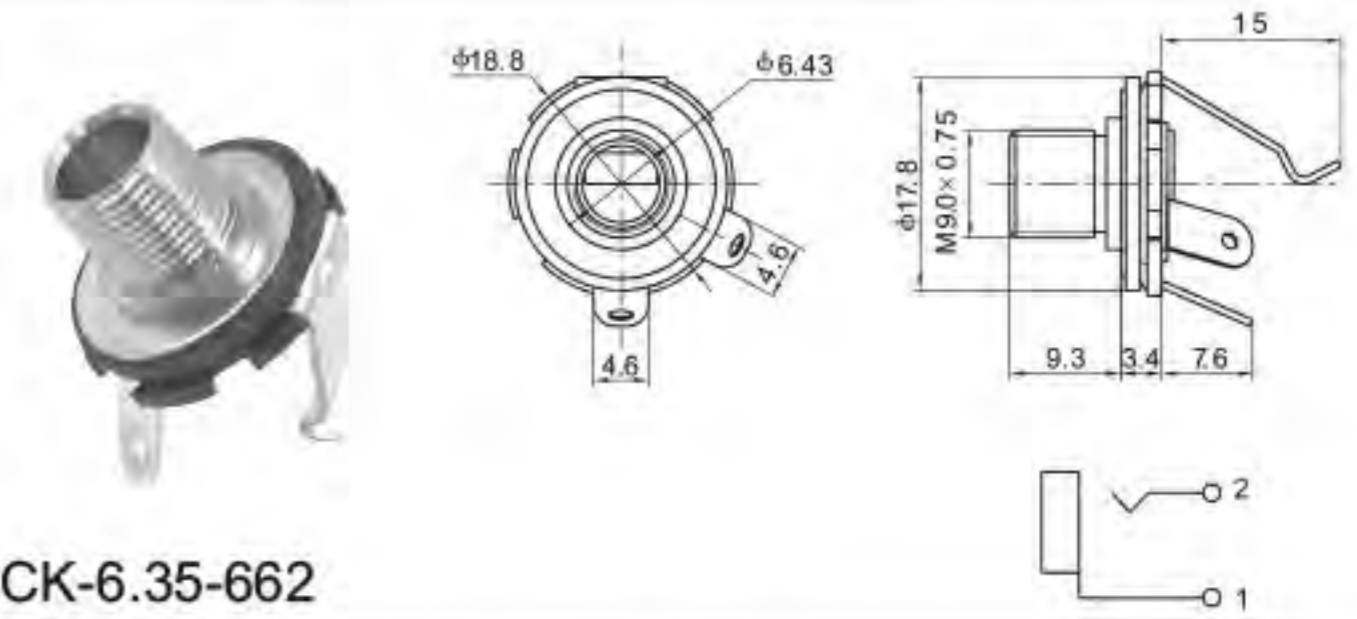
CK-6.35-655



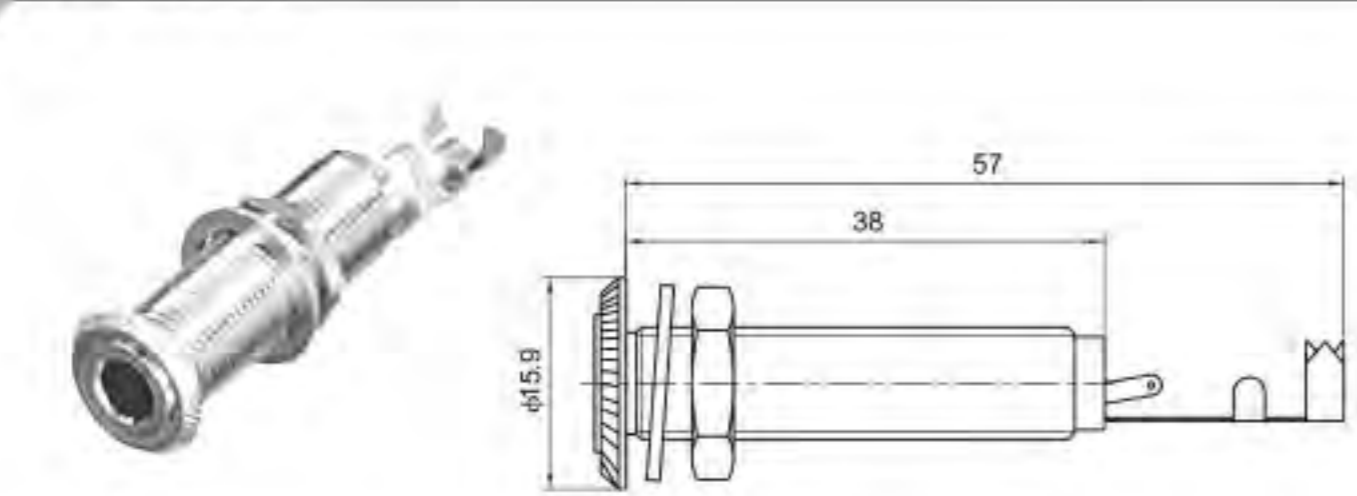
CK-6.35-661



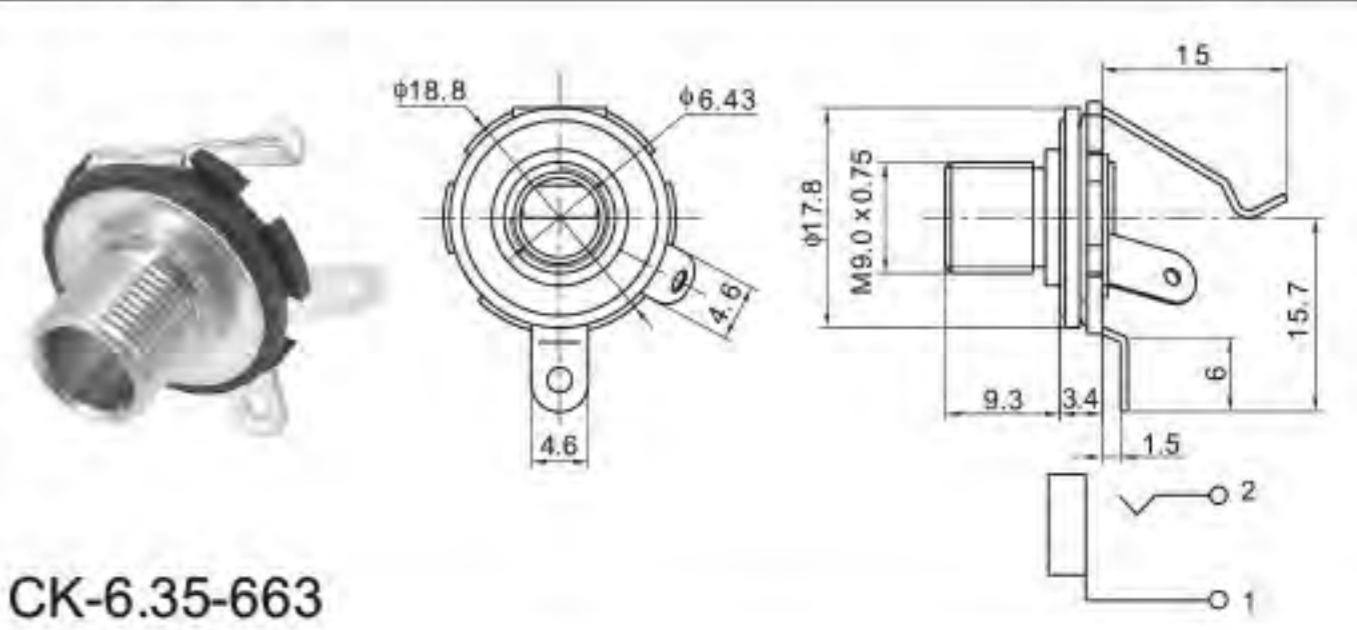
CK-6.35-656



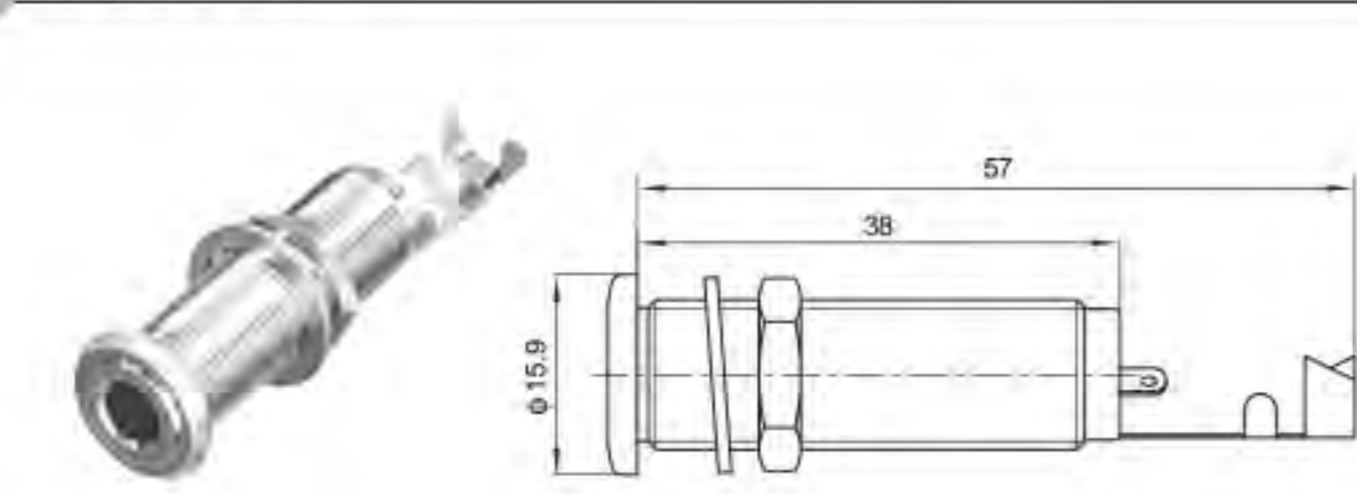
CK-6.35-662



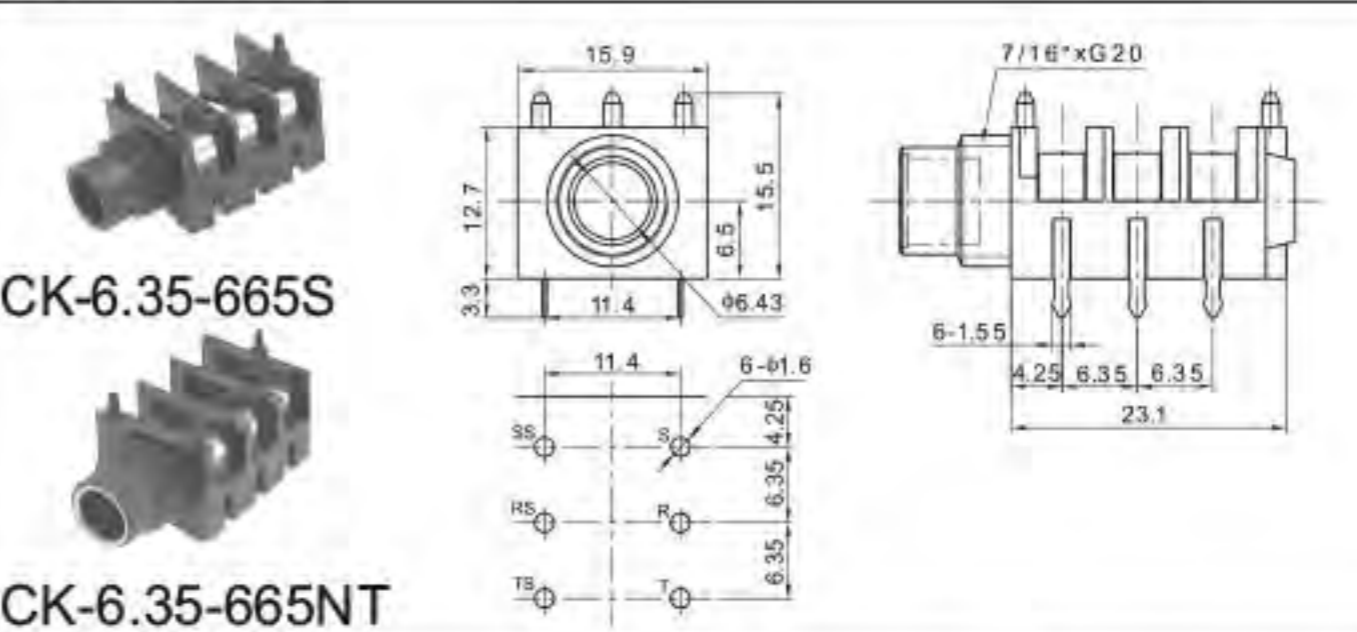
CK-6.35-657



CK-6.35-663

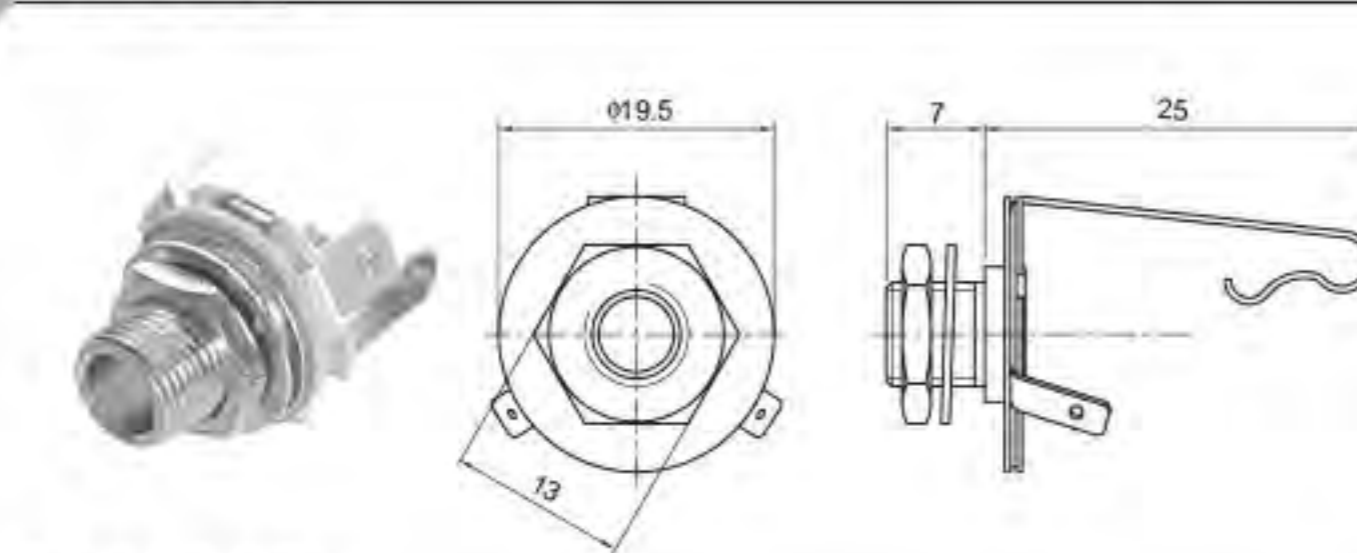


CK-6.35-658

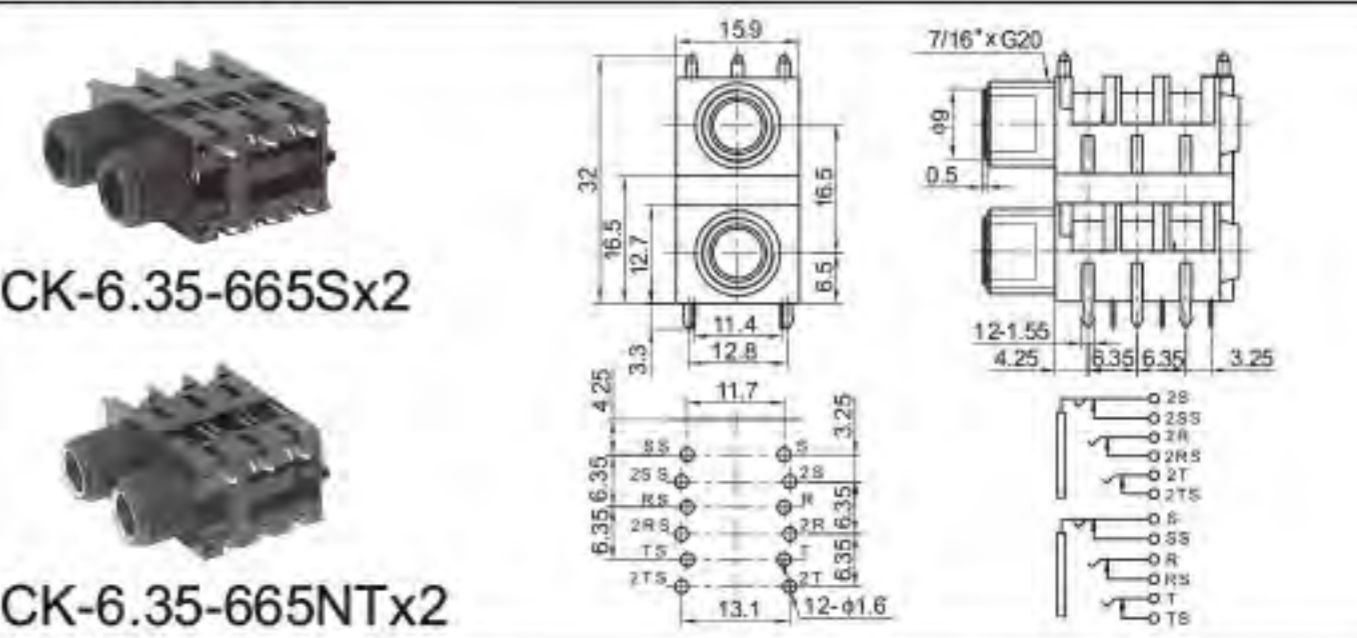


CK-6.35-665S

CK-6.35-665NT

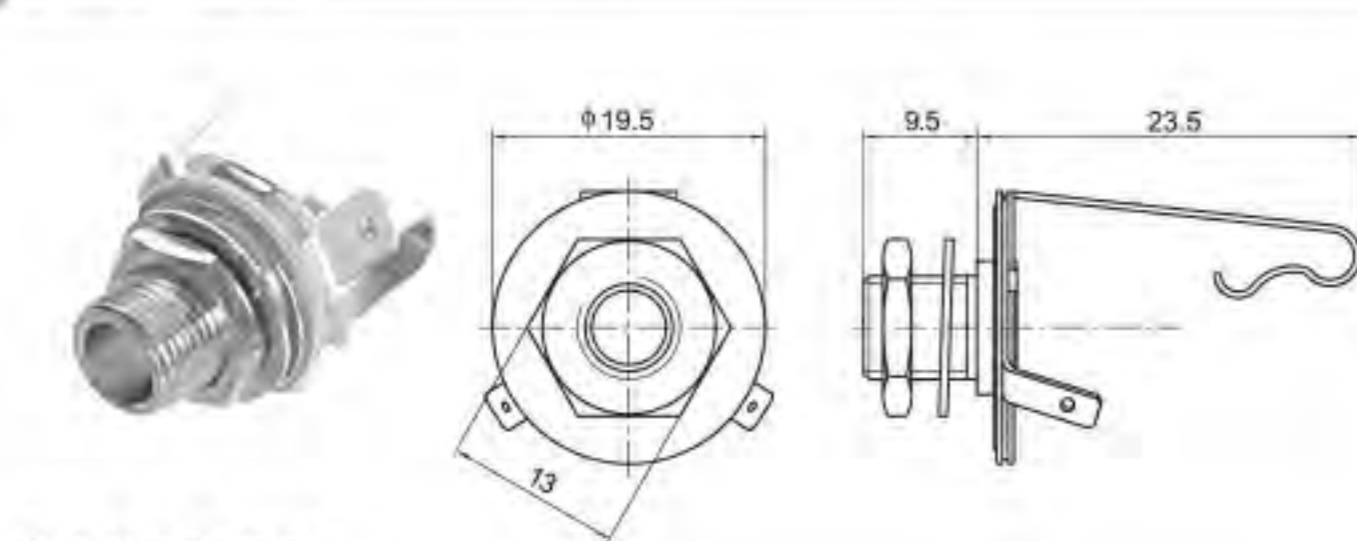


CK-6.35-659

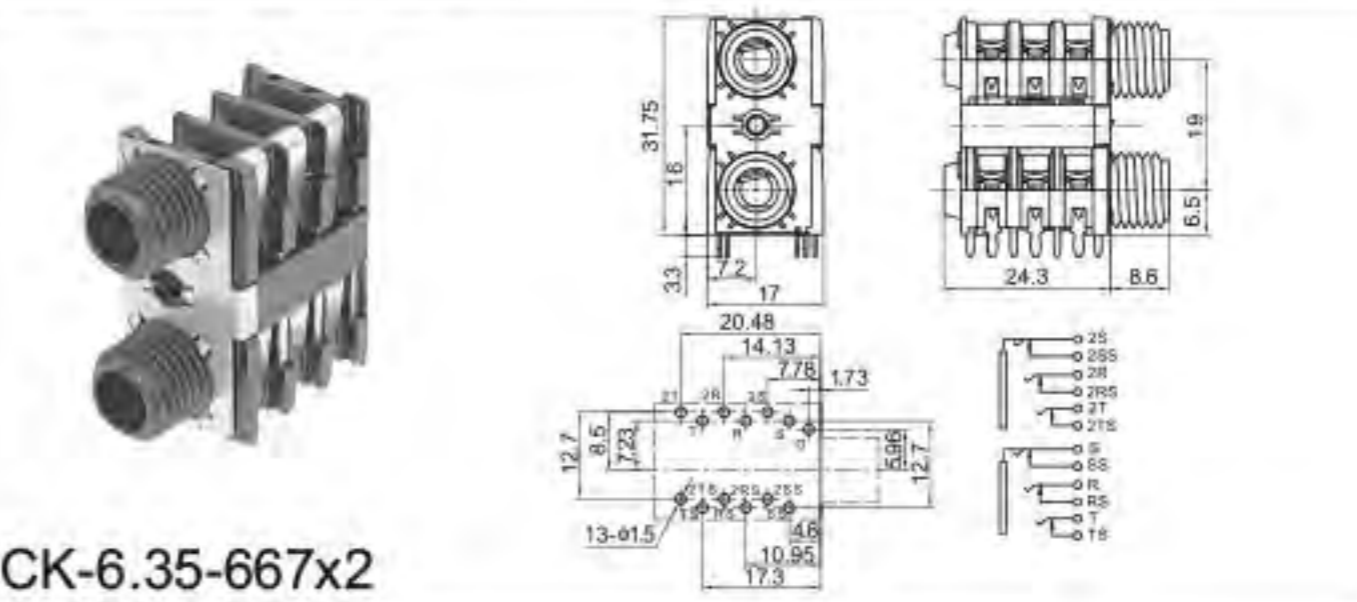


CK-6.35-665Sx2

CK-6.35-665NTx2



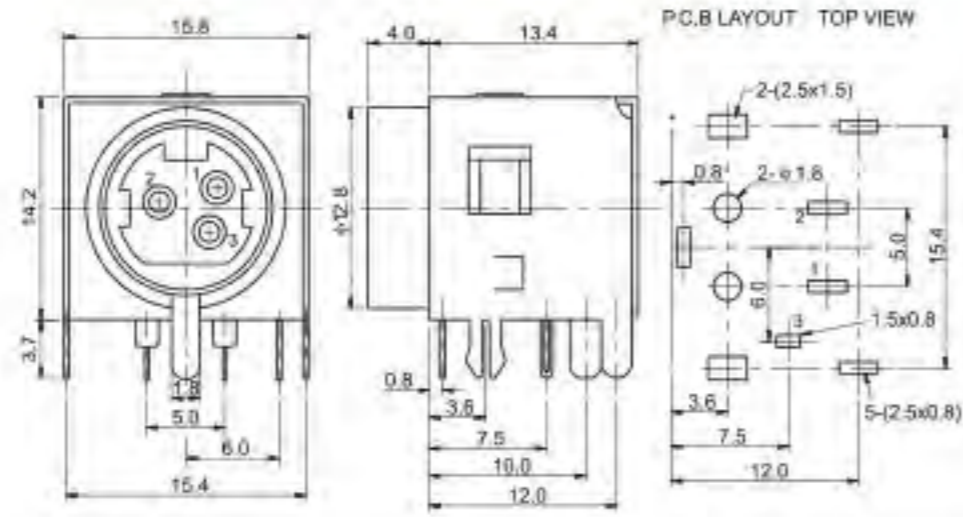
CK-6.35-660



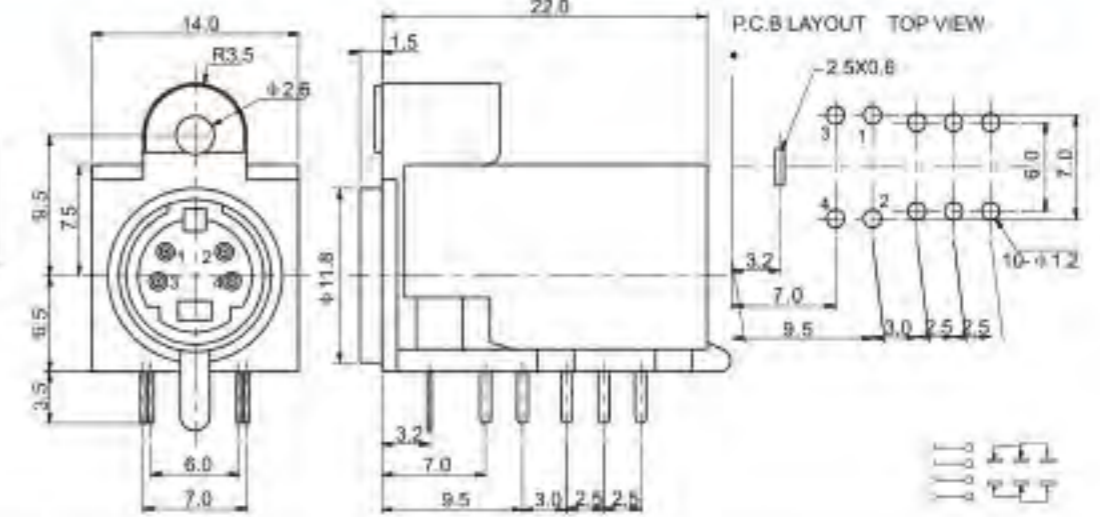
CK-6.35-667x2



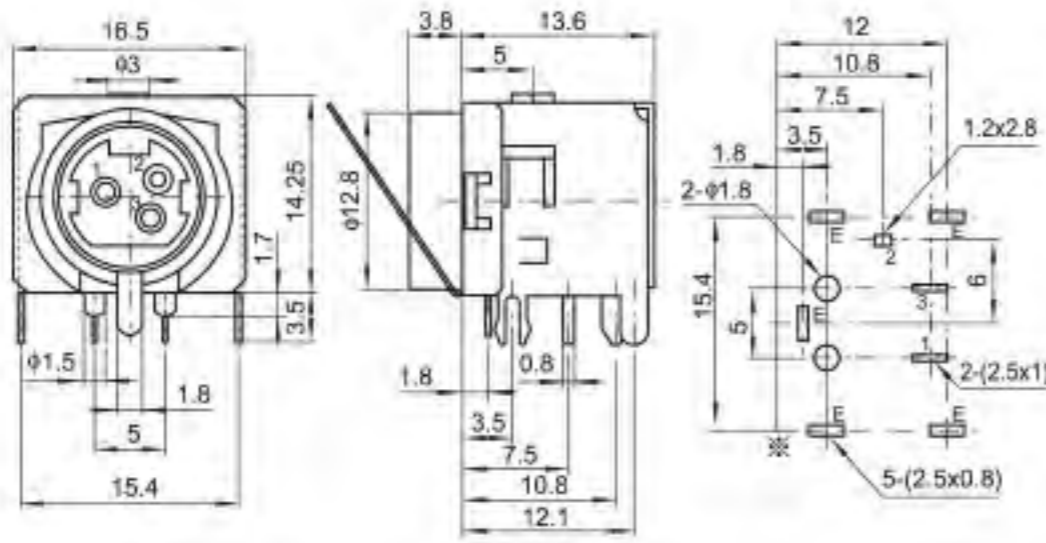
DIN-326/326A



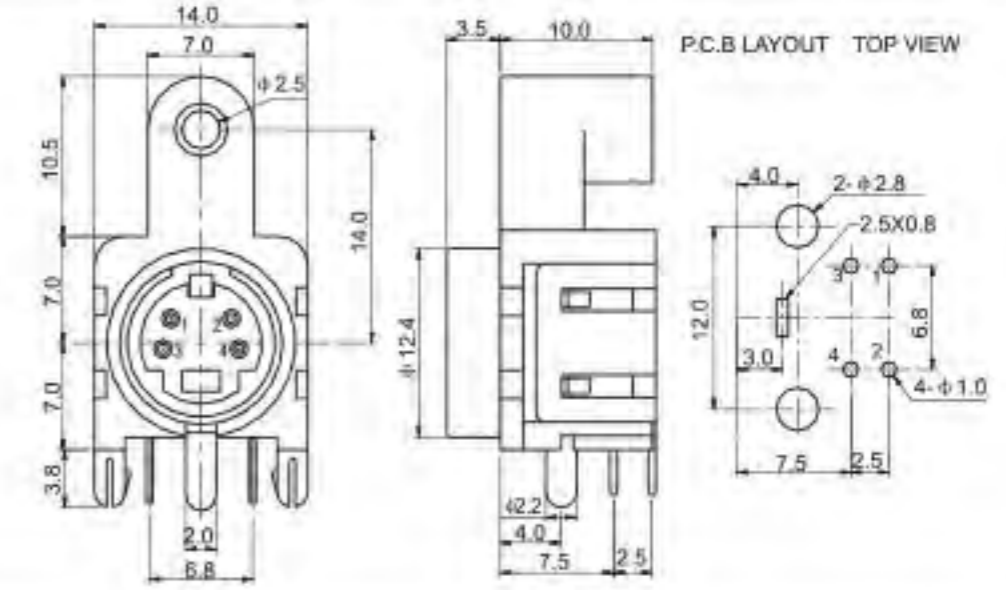
DIN-406K



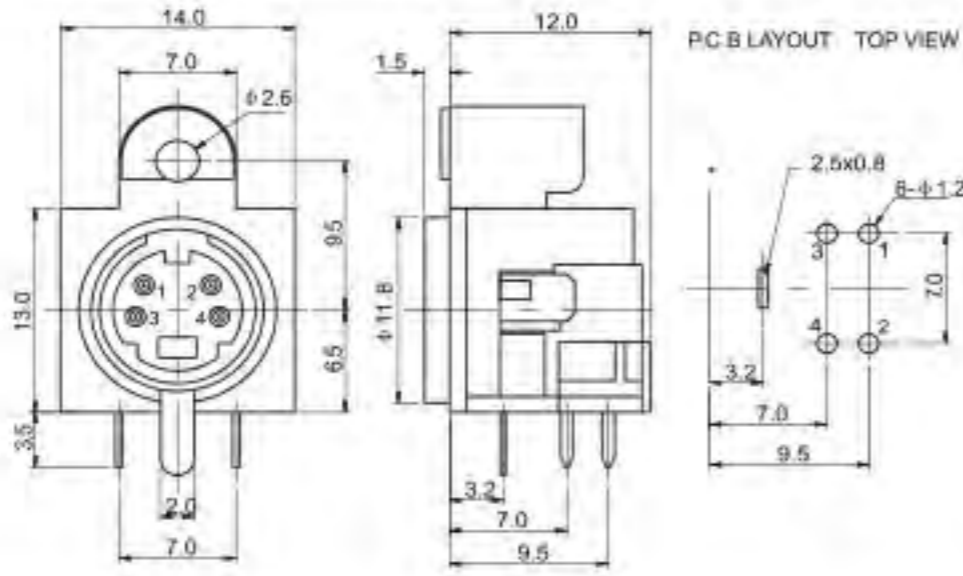
DIN-326V



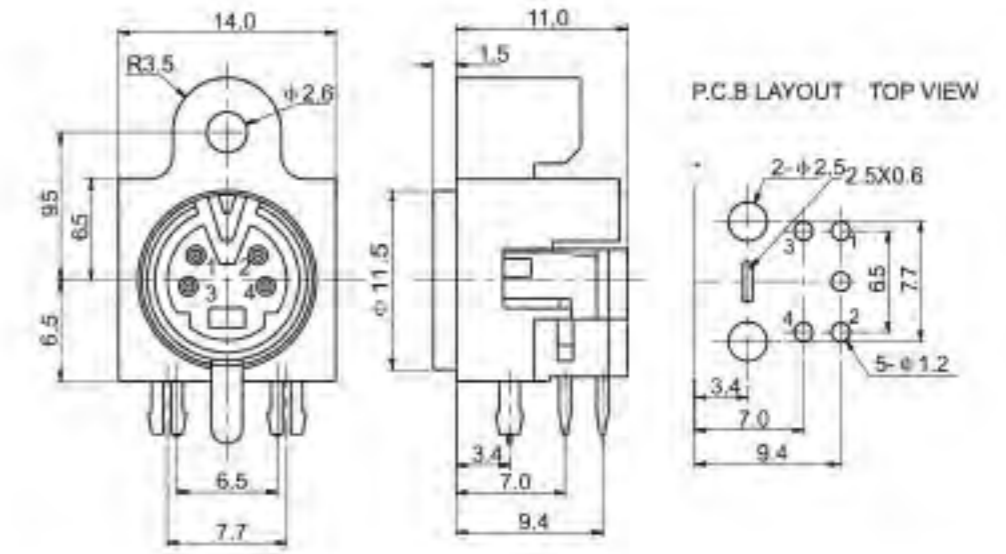
DIN-407B



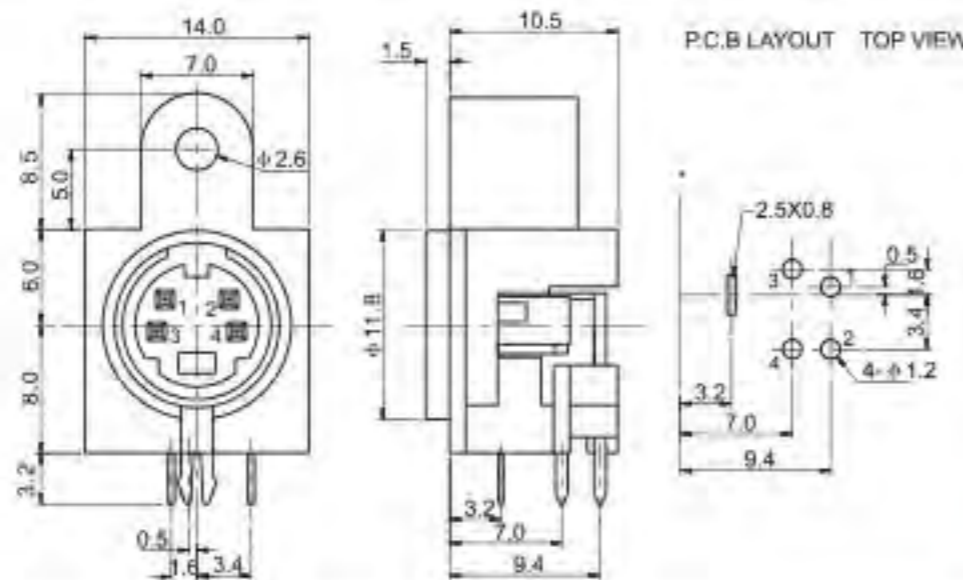
DIN-406



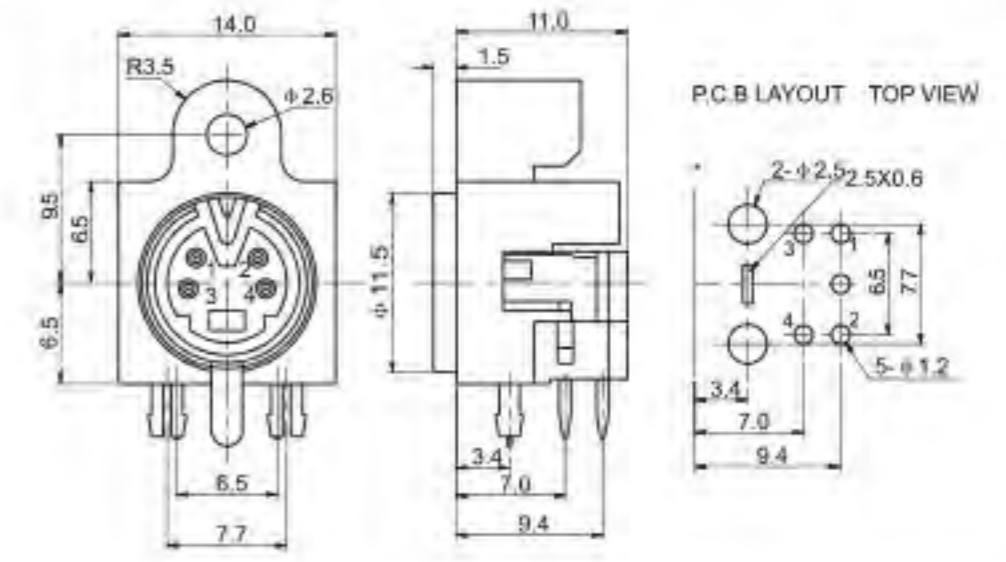
DIN-407



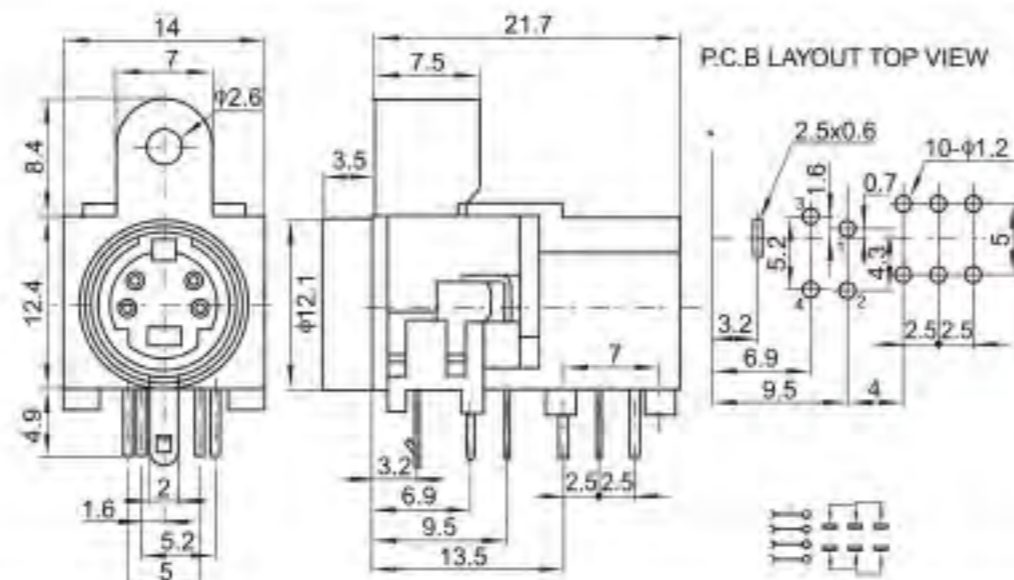
DIN-406A



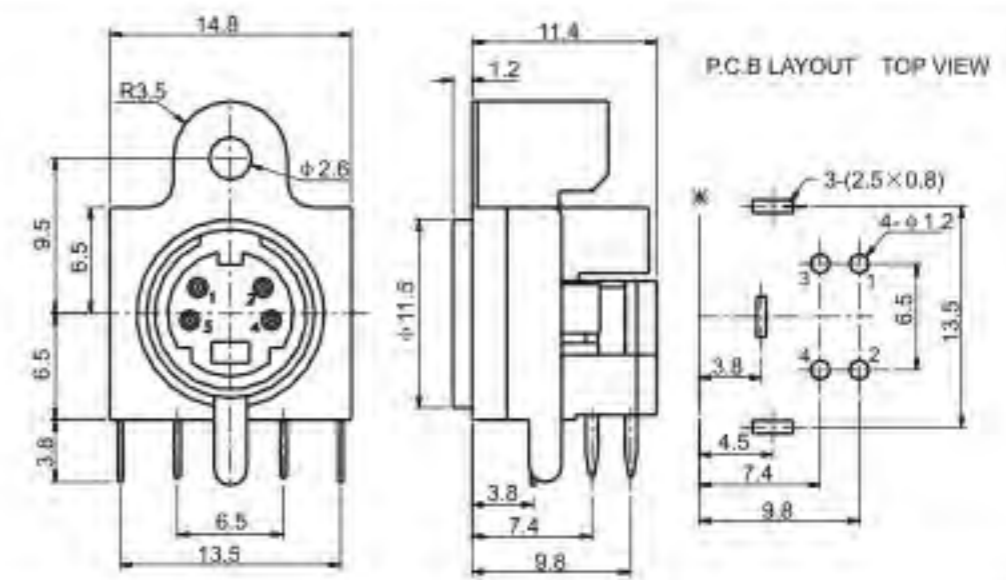
DIN-407A



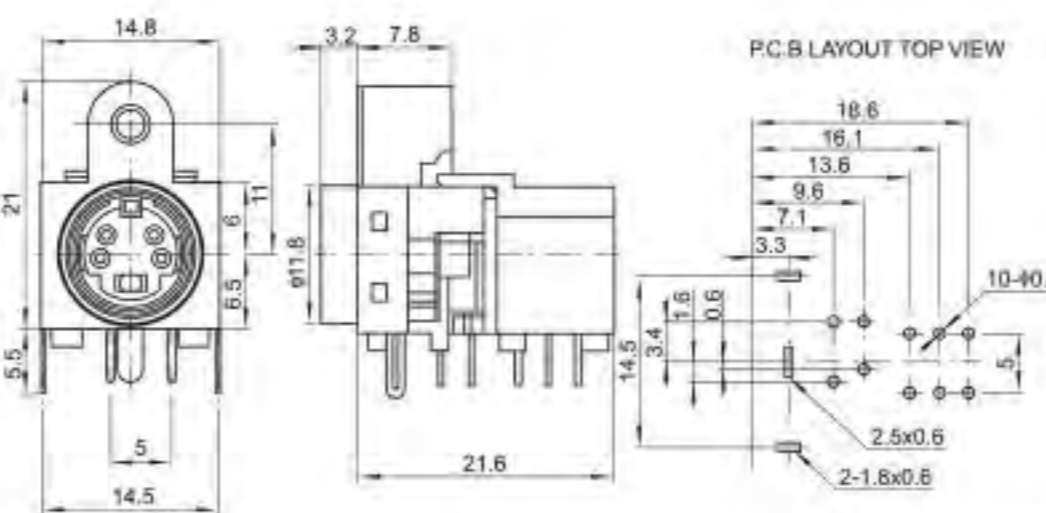
DIN-406B



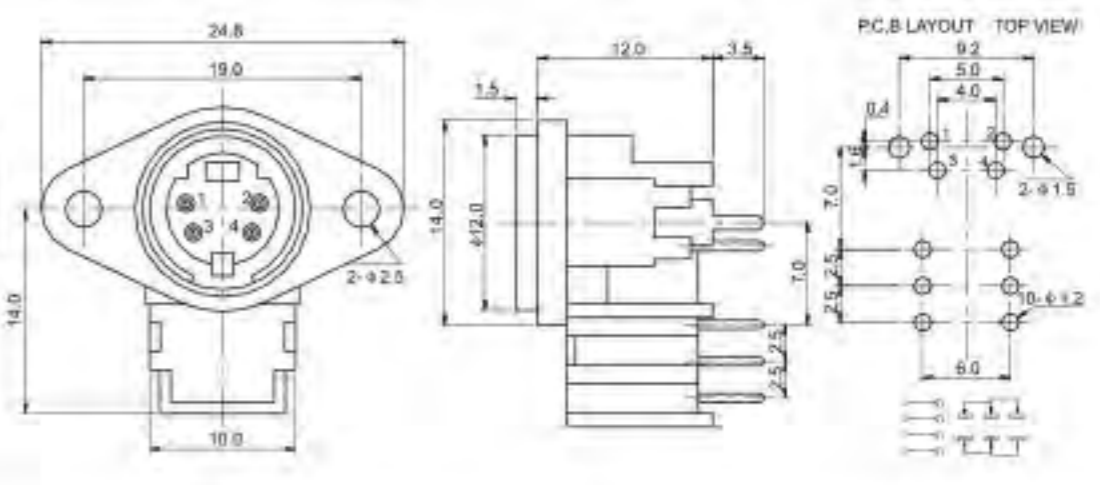
DIN-407C

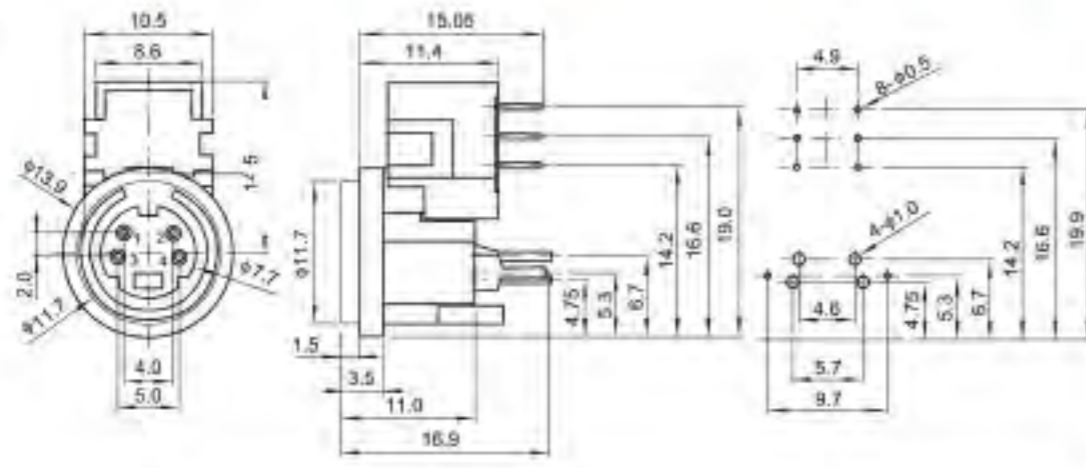


DIN-406C

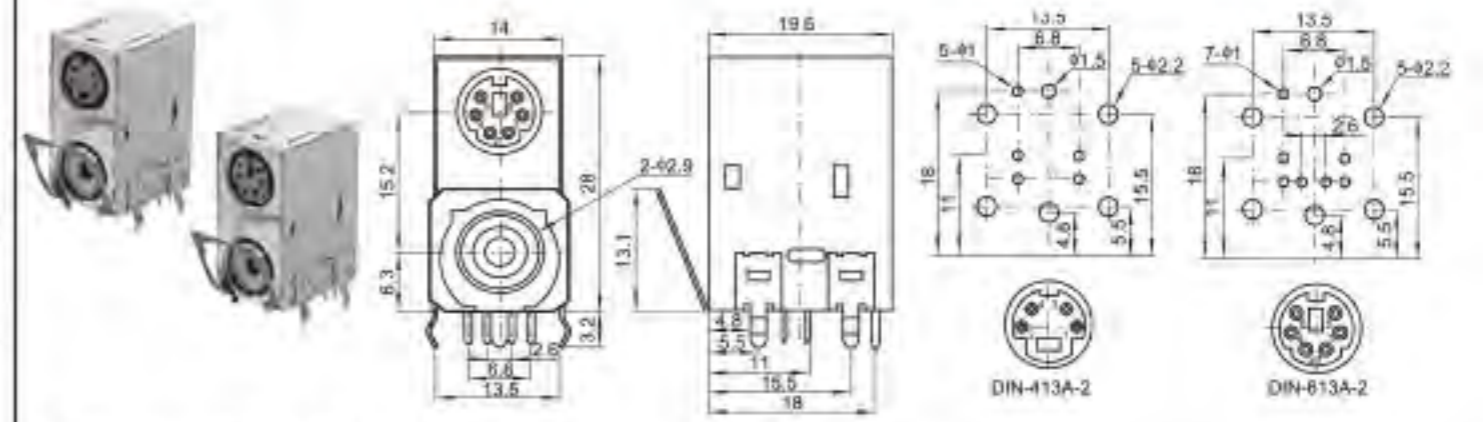


DIN-408K

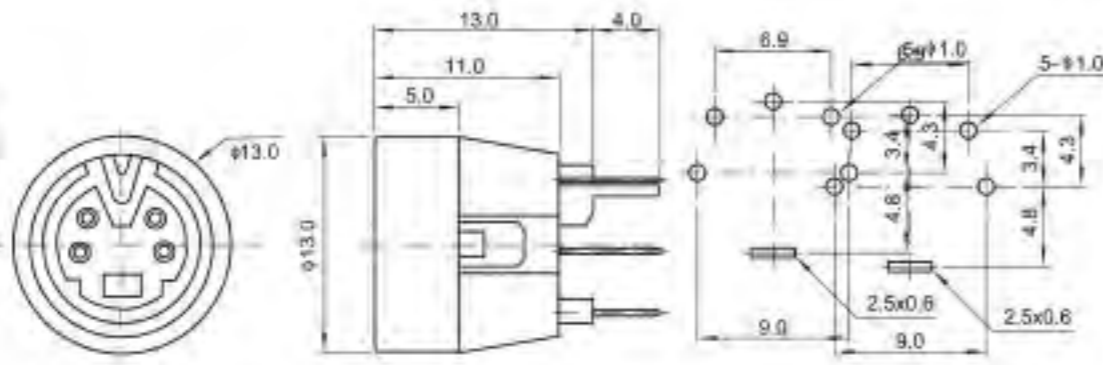




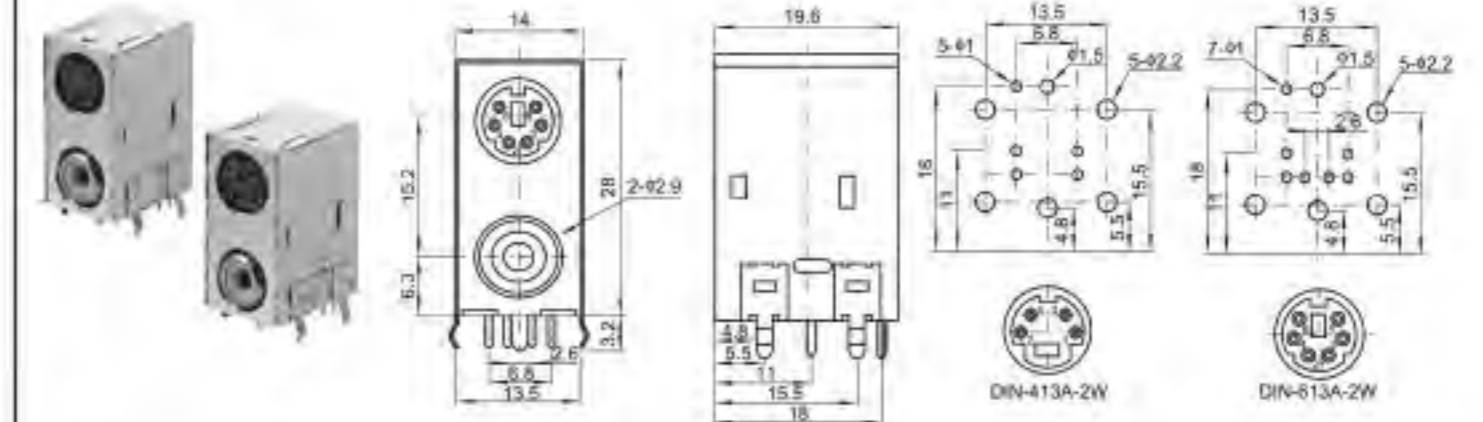
DIN-409K



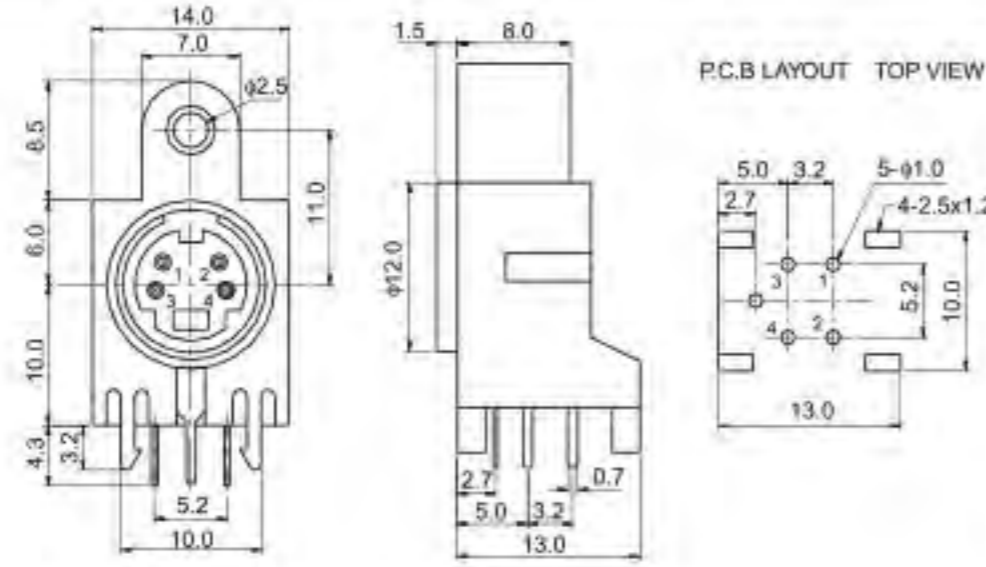
DIN-413A(613A)-2



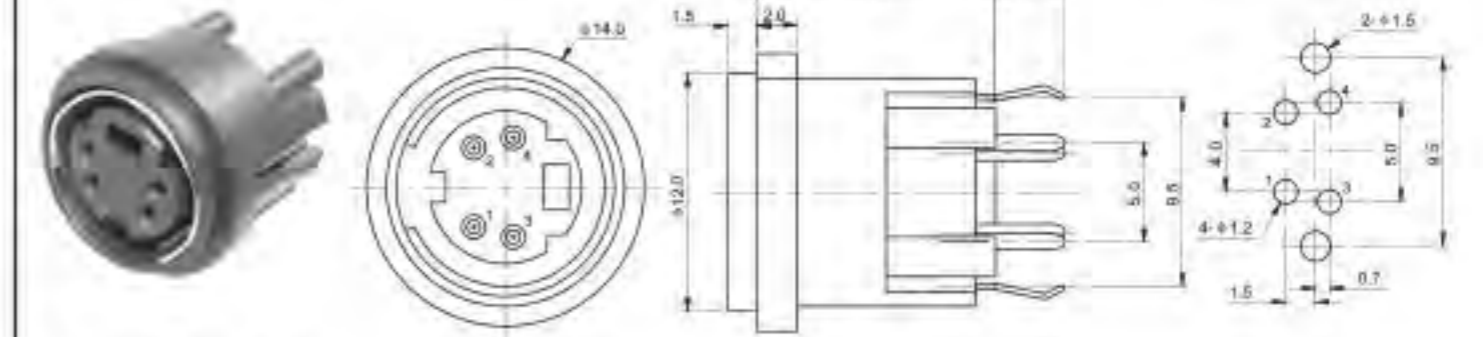
DIN-411H



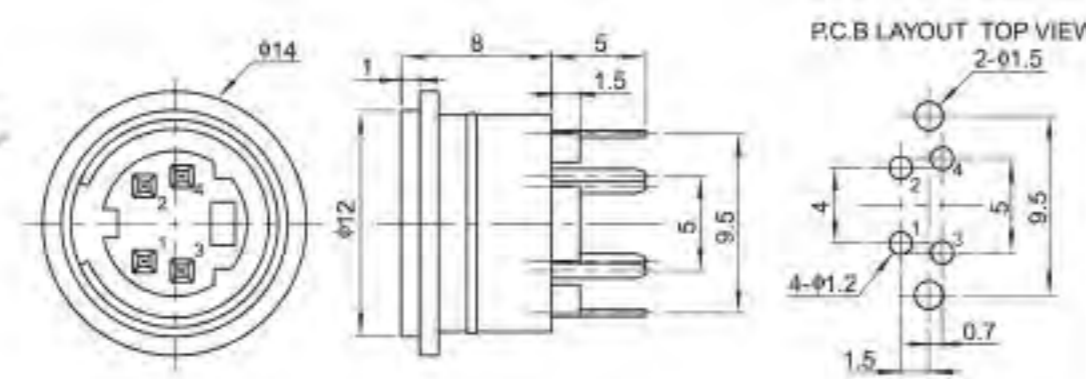
DIN-413A(613A)-2W



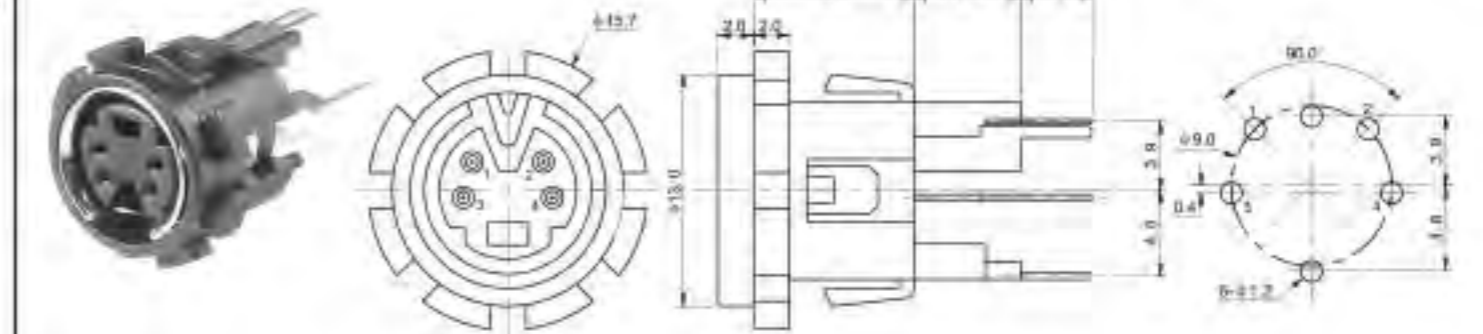
DIN-412



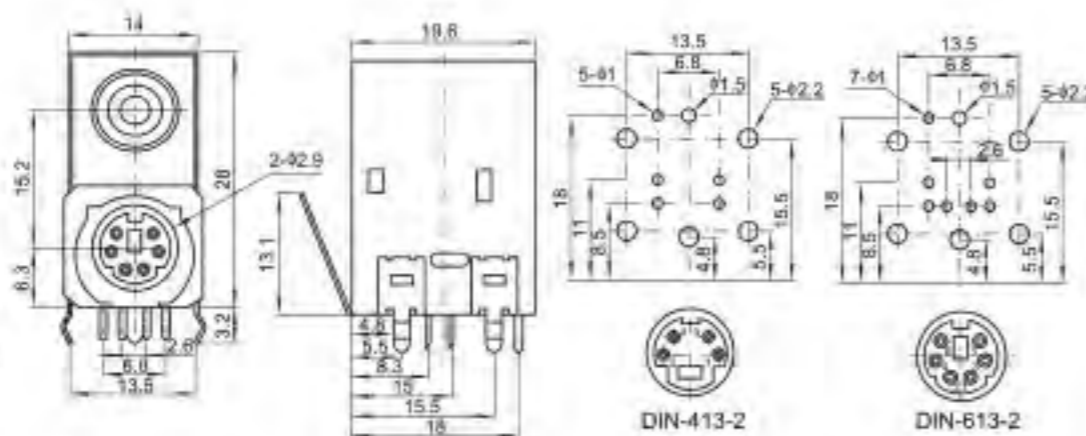
DIN-414H



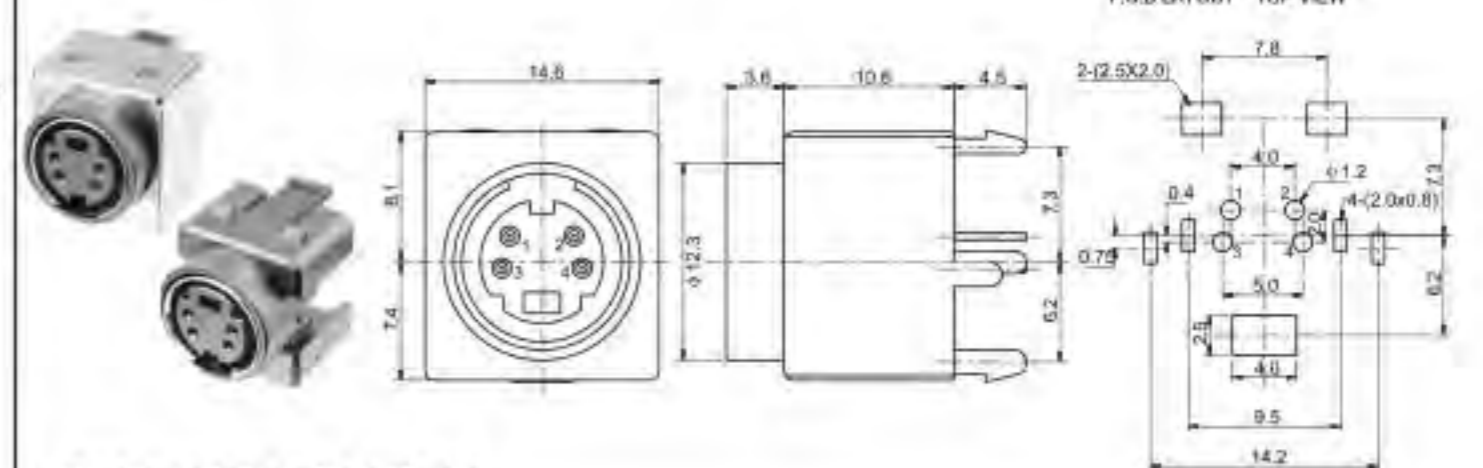
DIN-413H



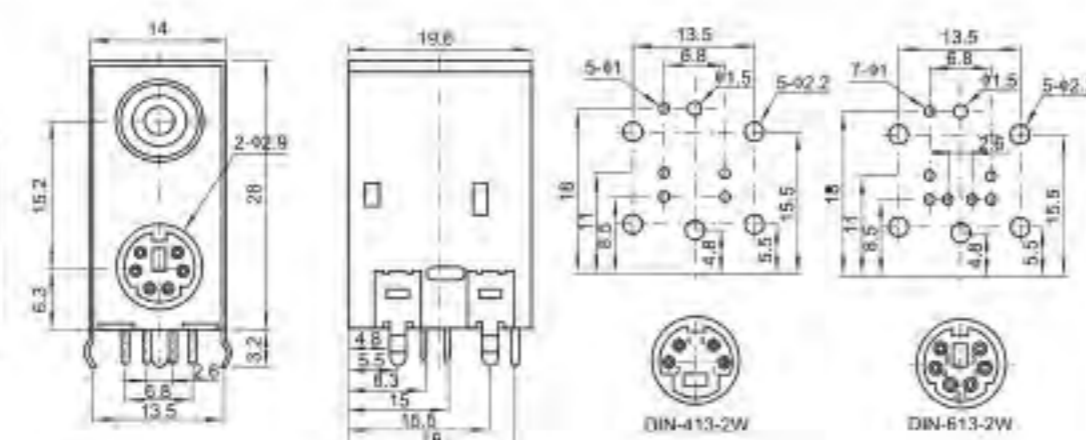
DIN-415H



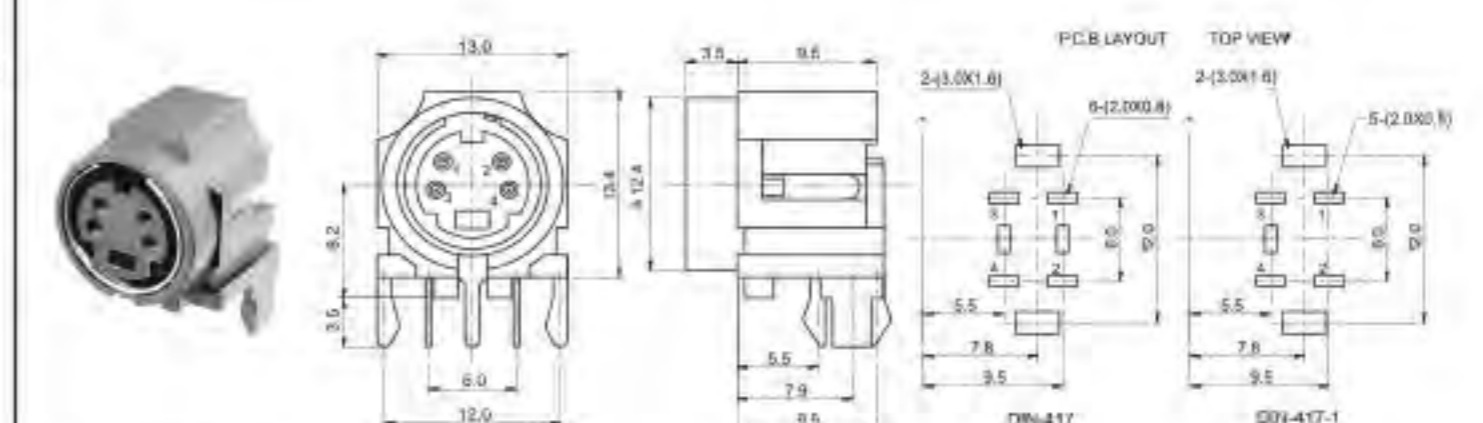
DIN-413(613)-2



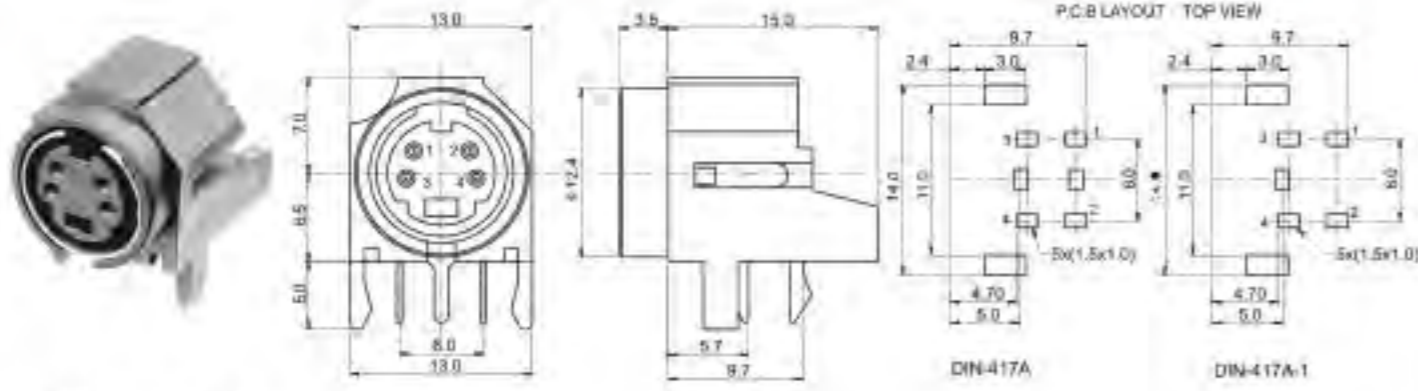
DIN-416H/416HA



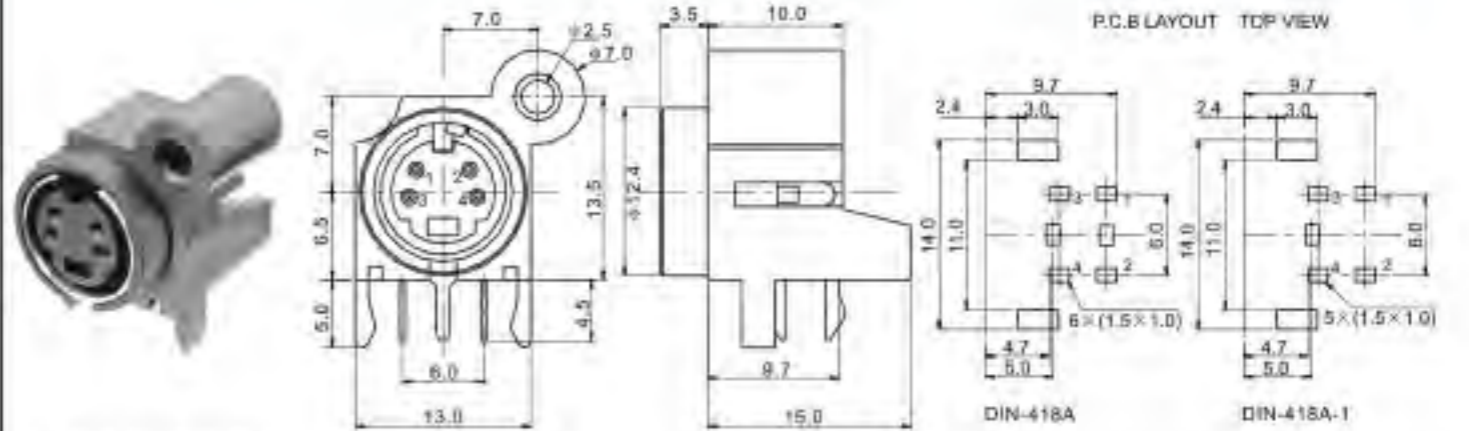
DIN-413(613)-2W



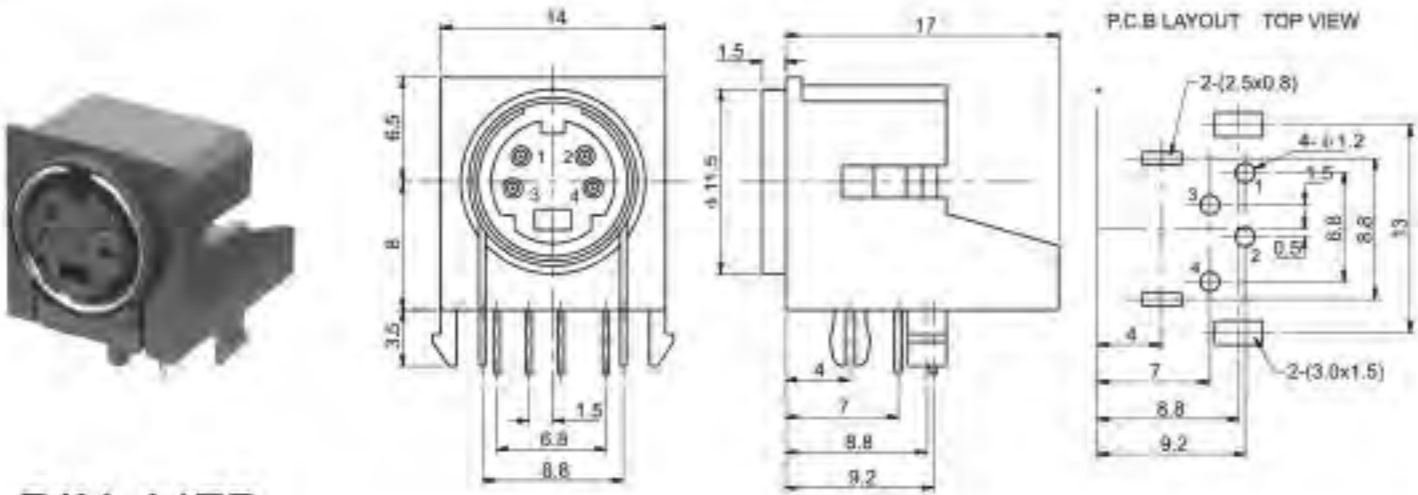
DIN-417



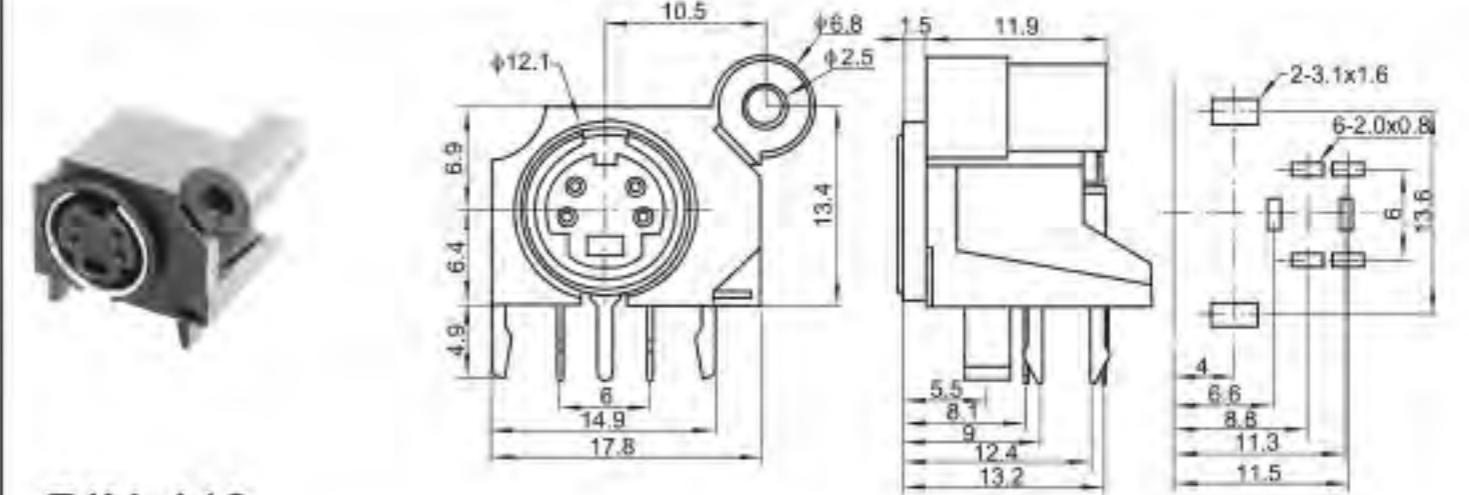
DIN-417A



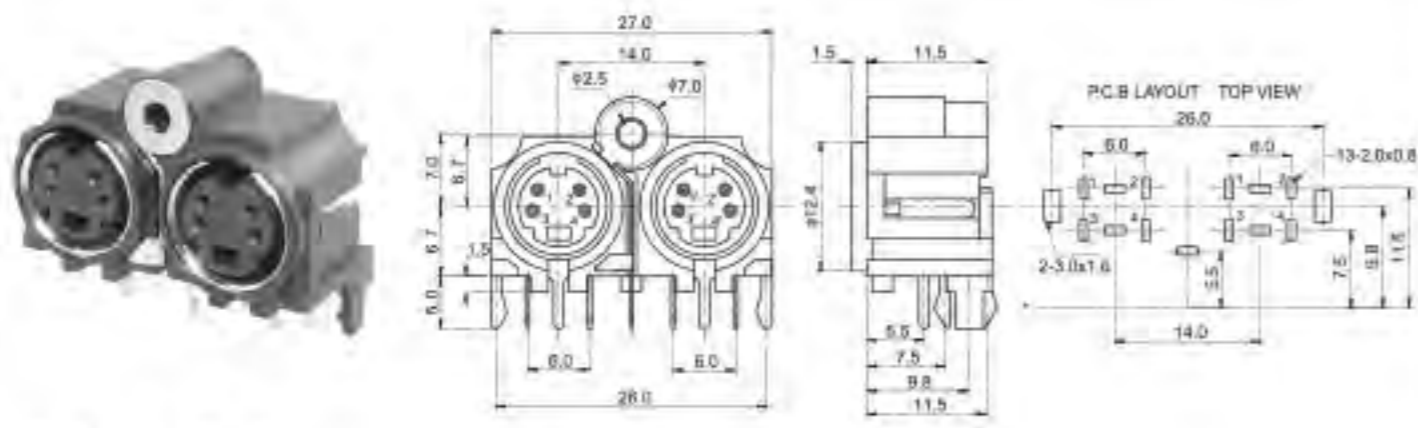
DIN-418A



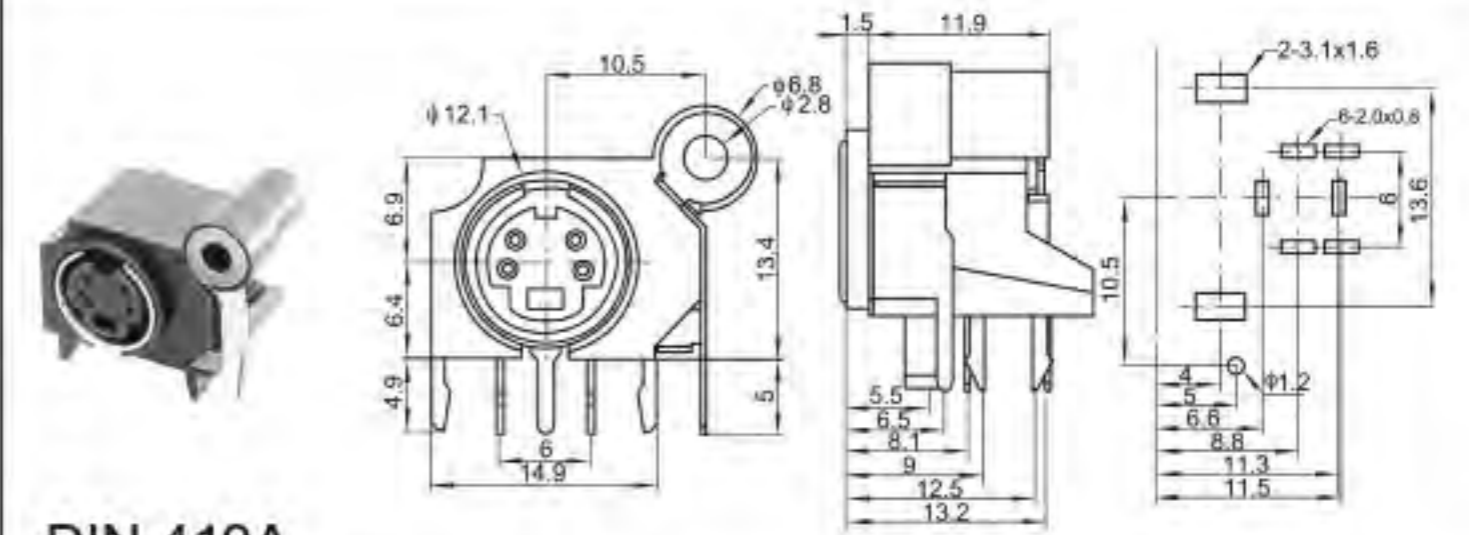
DIN-417B



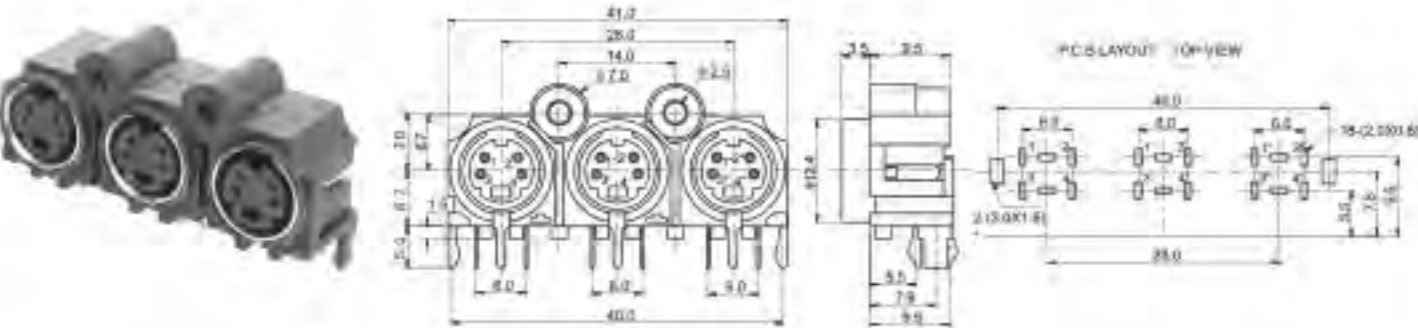
DIN-419



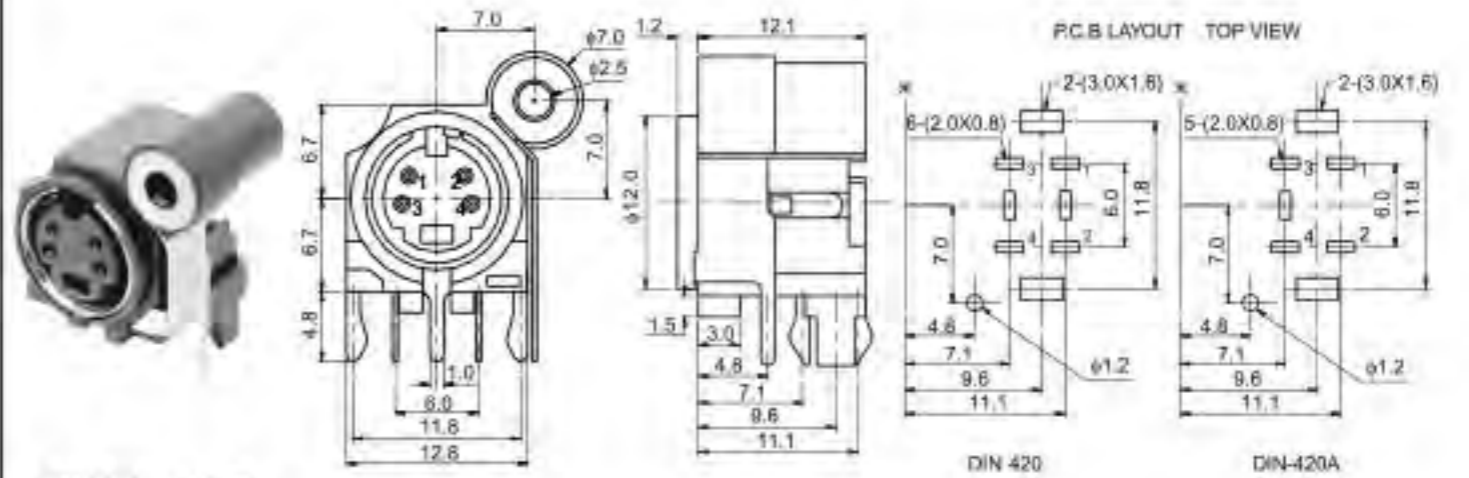
DIN-417-2



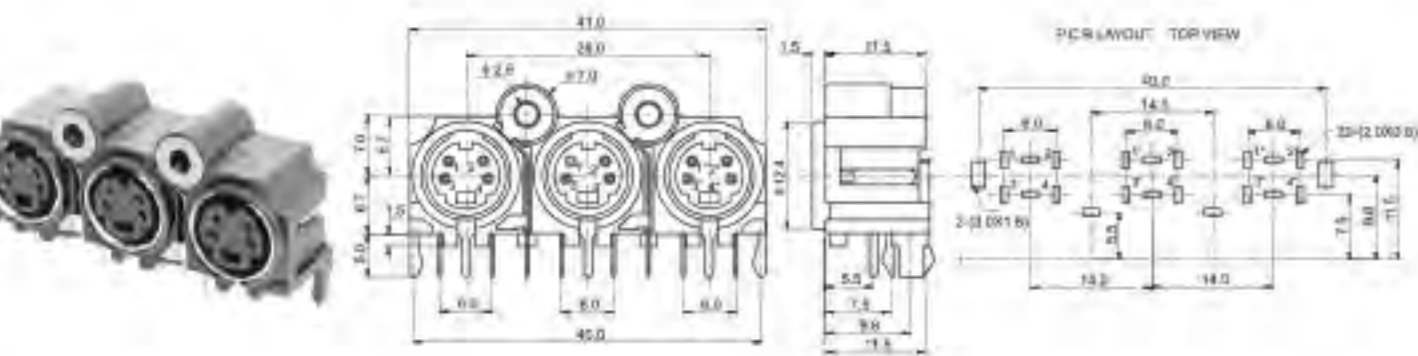
DIN-419A



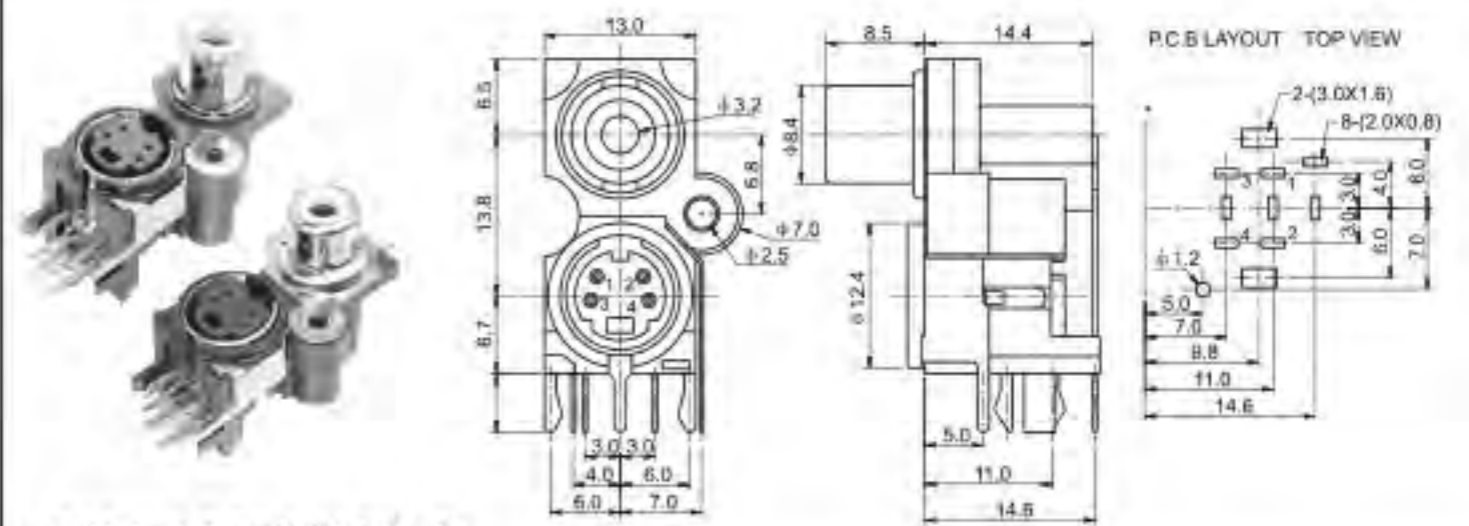
DIN-417-3



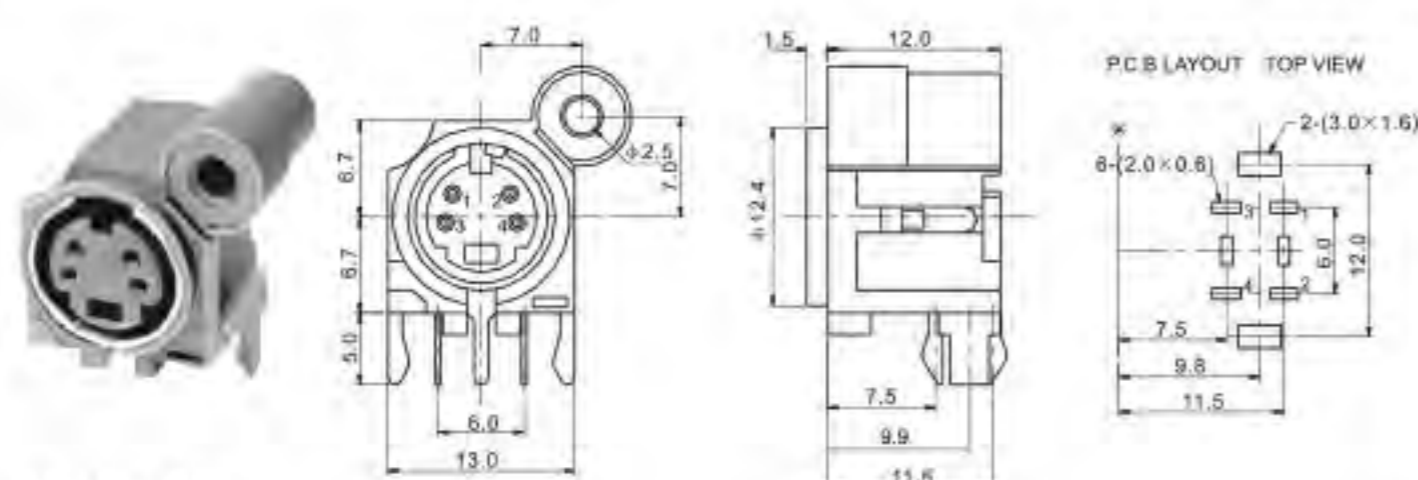
DIN-420



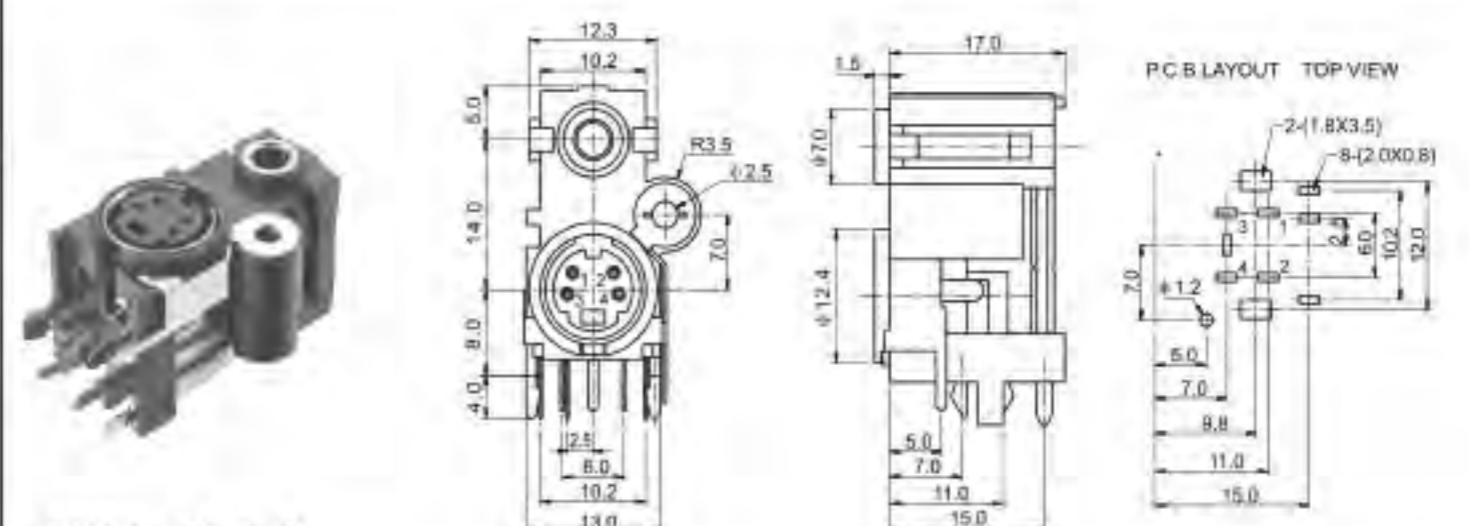
DIN-417-4



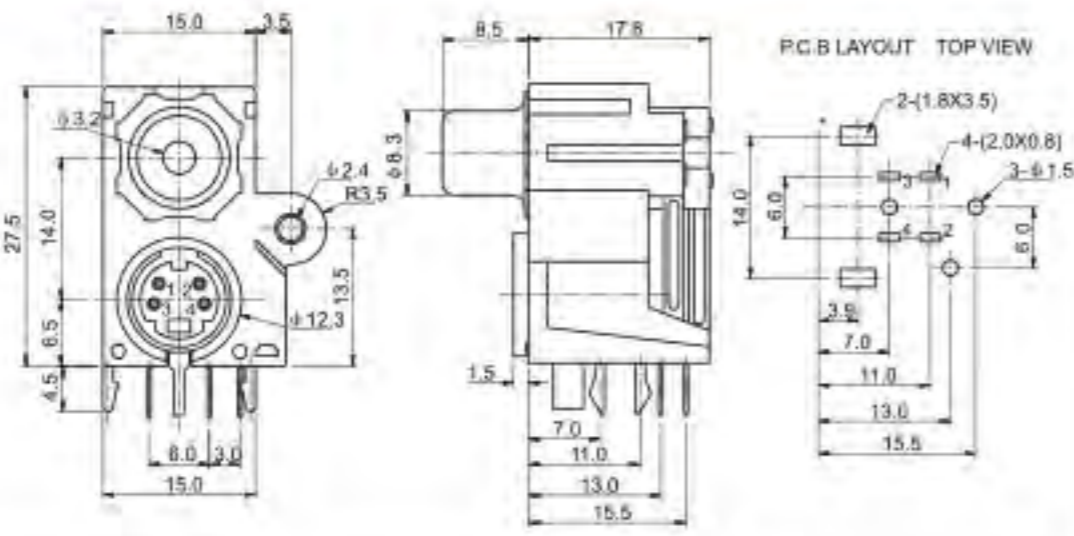
DIN-420-1/420-2



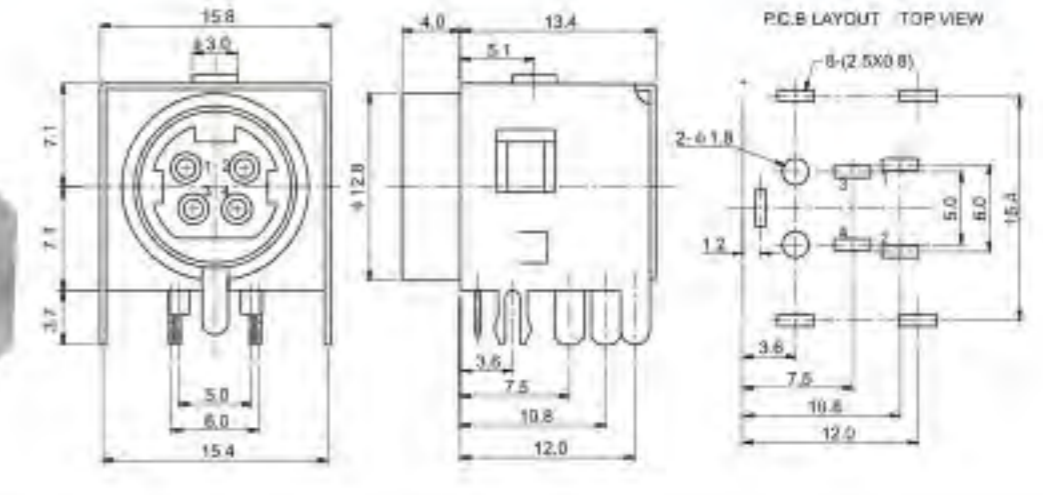
DIN-418



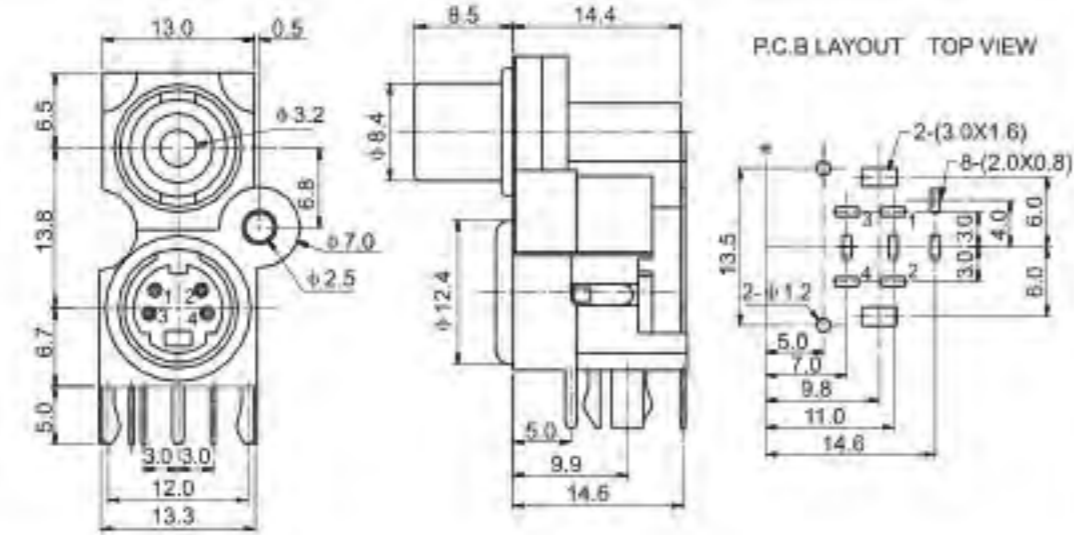
DIN-420-3



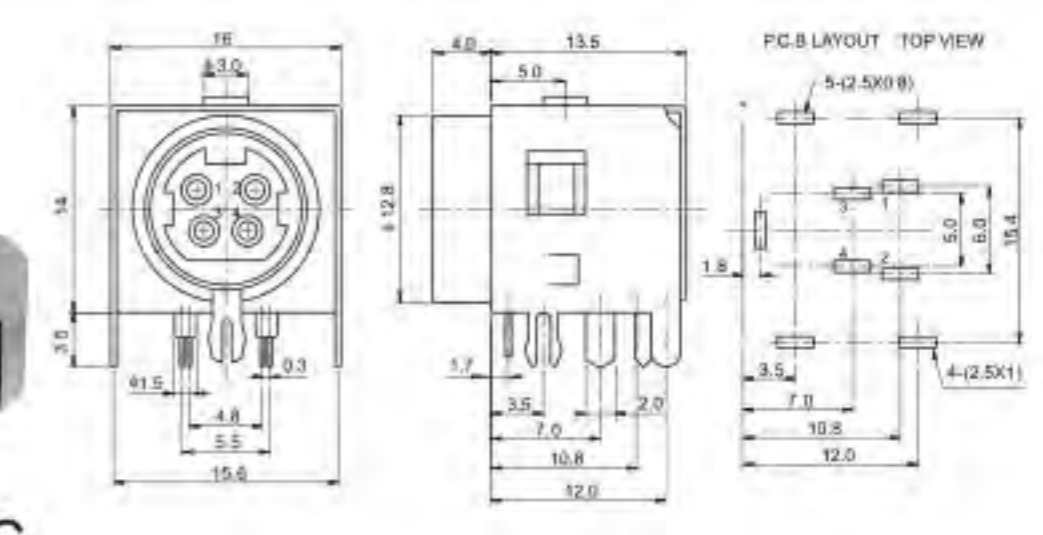
DIN-420-4



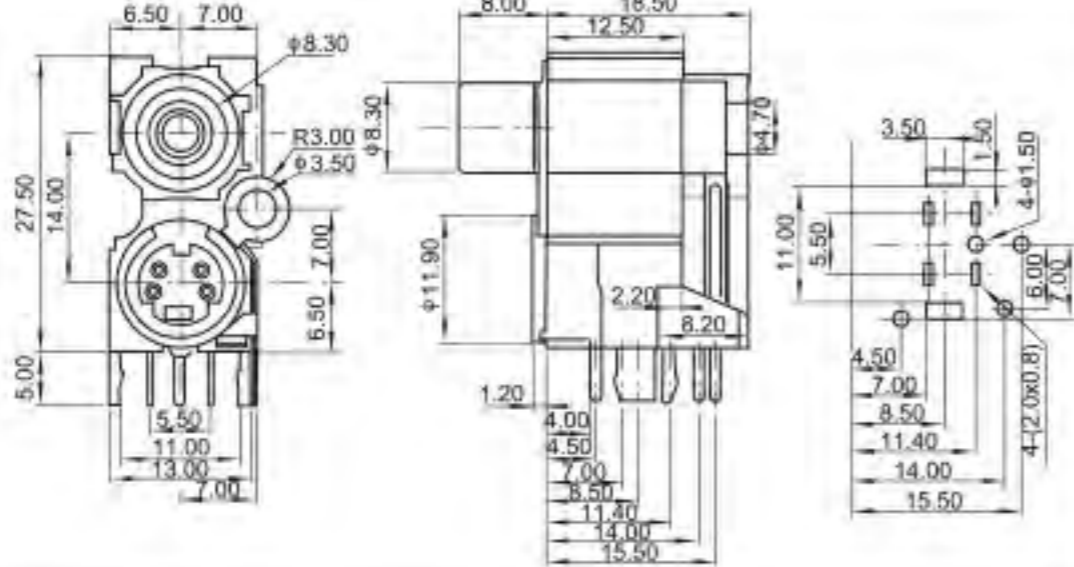
DIN-422/422A



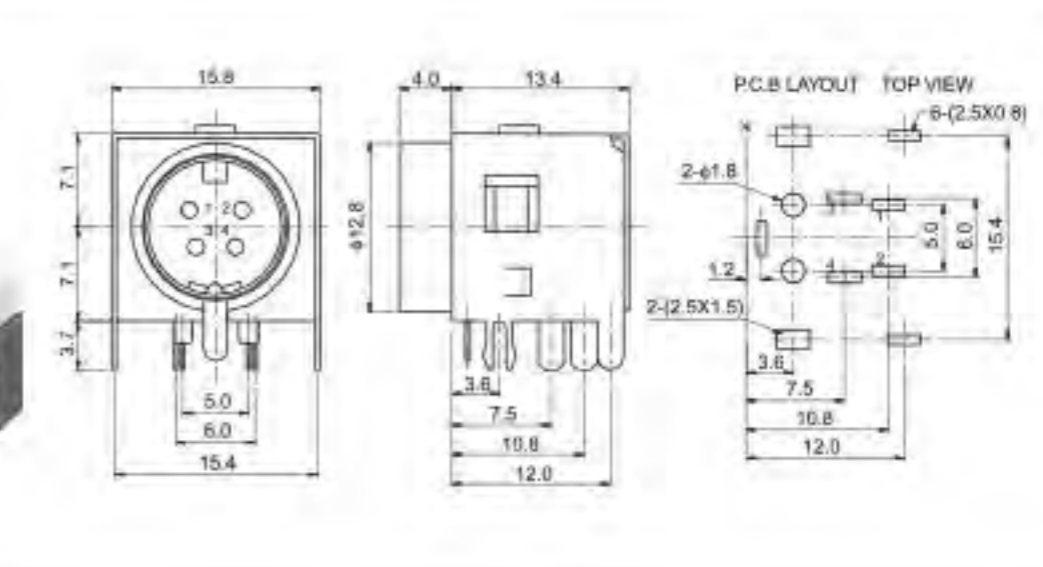
DIN-420-5



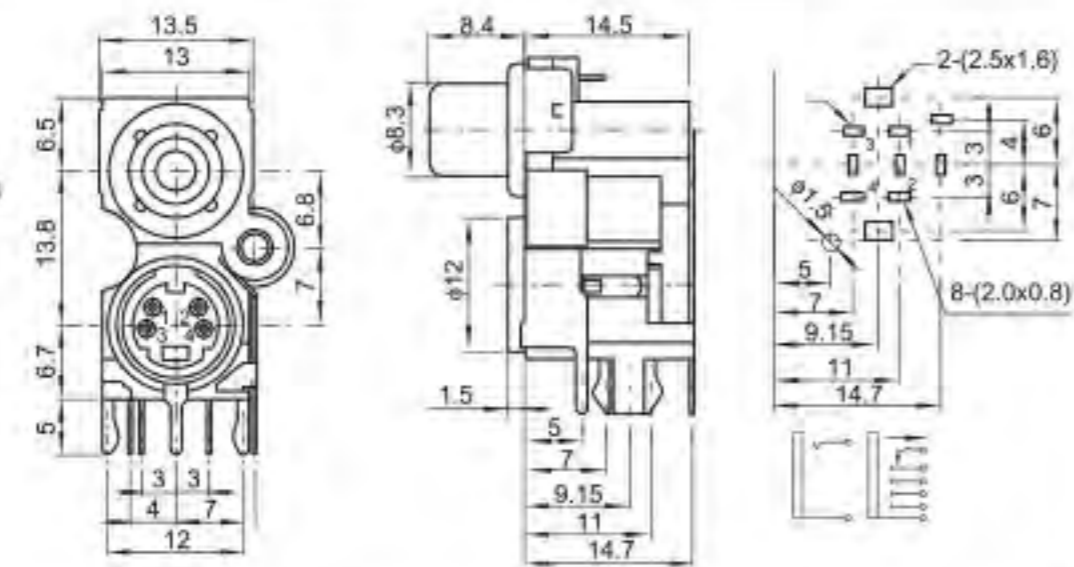
DIN-422B/422C



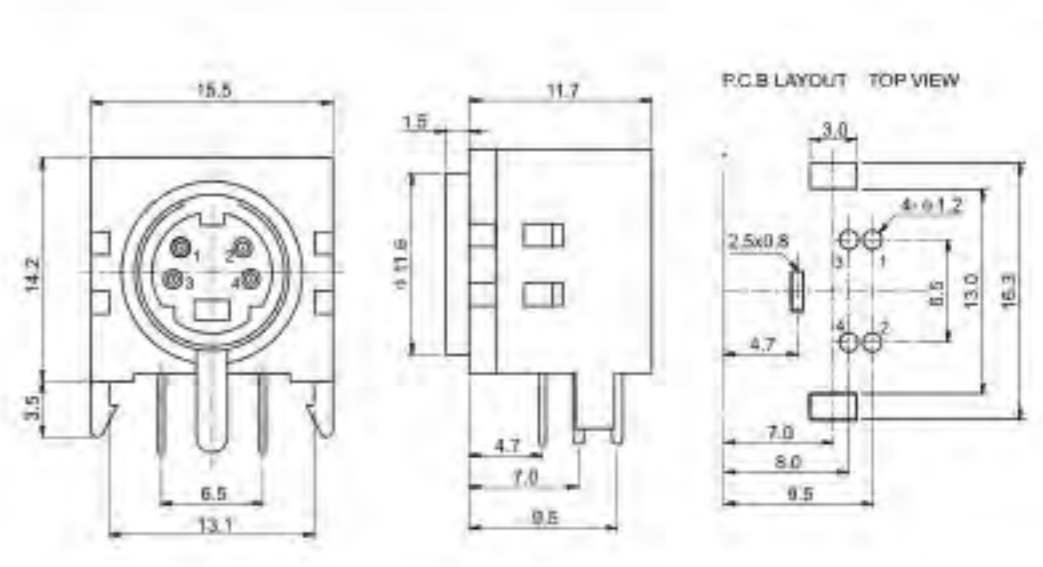
DIN-420-6



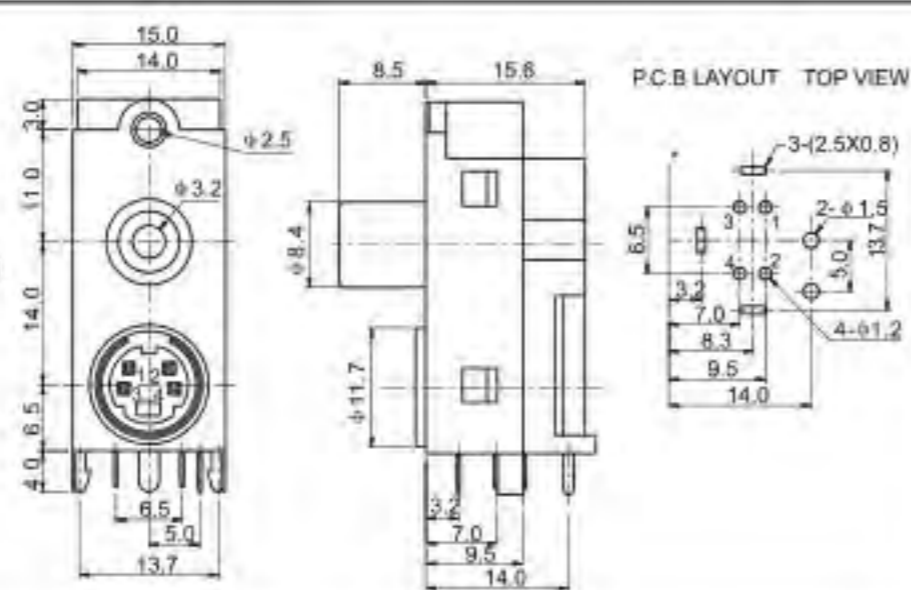
DIN-423/423A



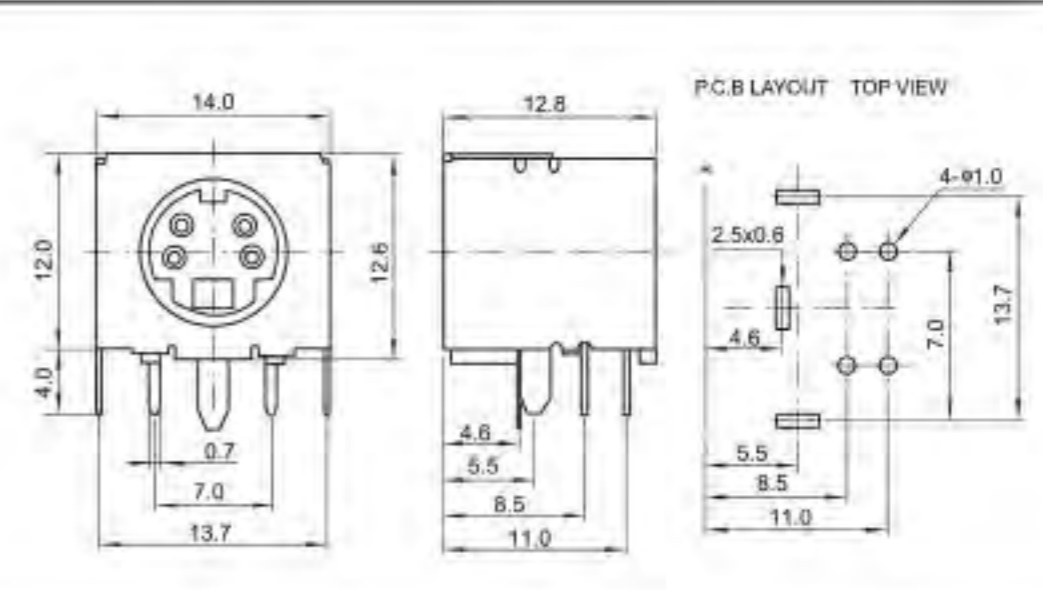
DIN-420-8



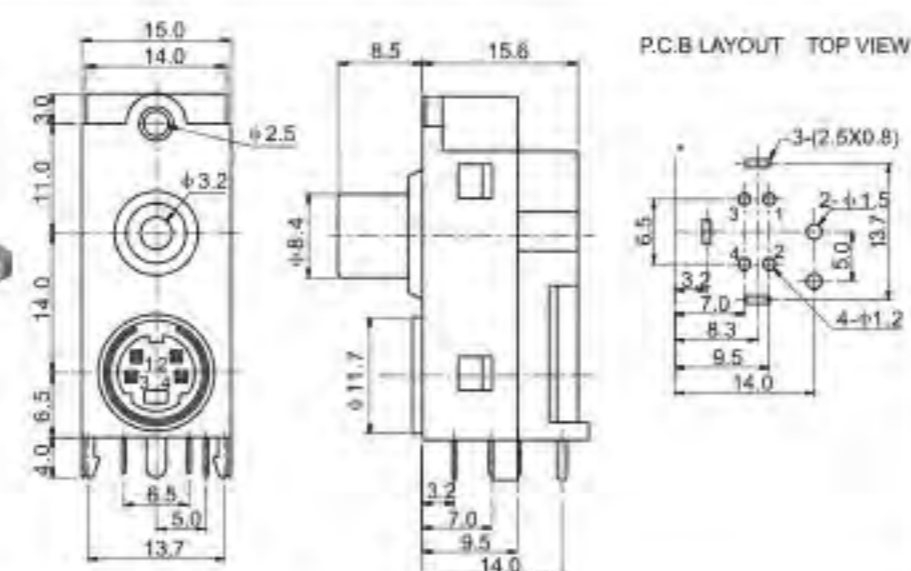
DIN-426



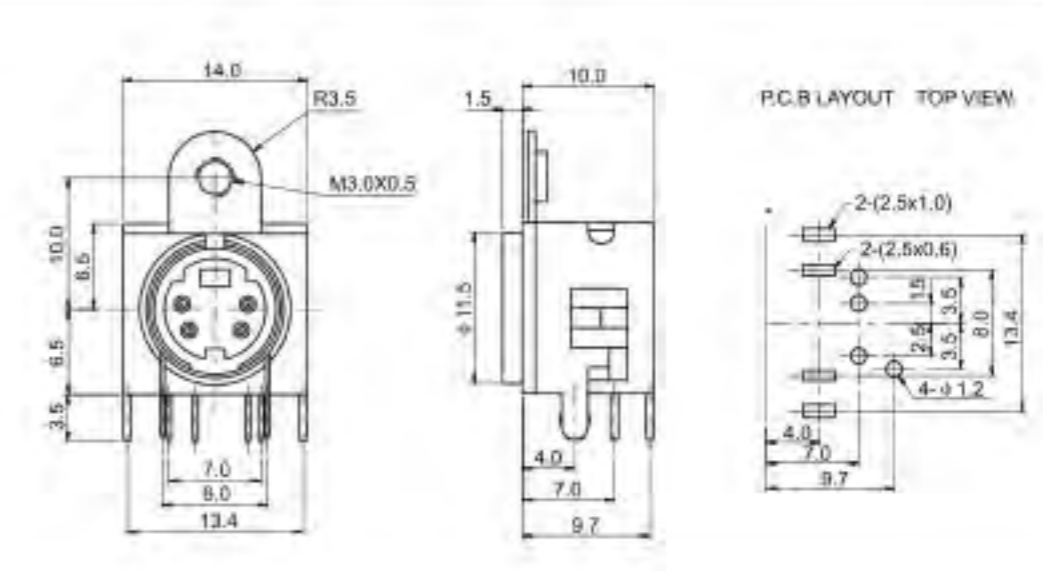
DIN-421-2/421-3



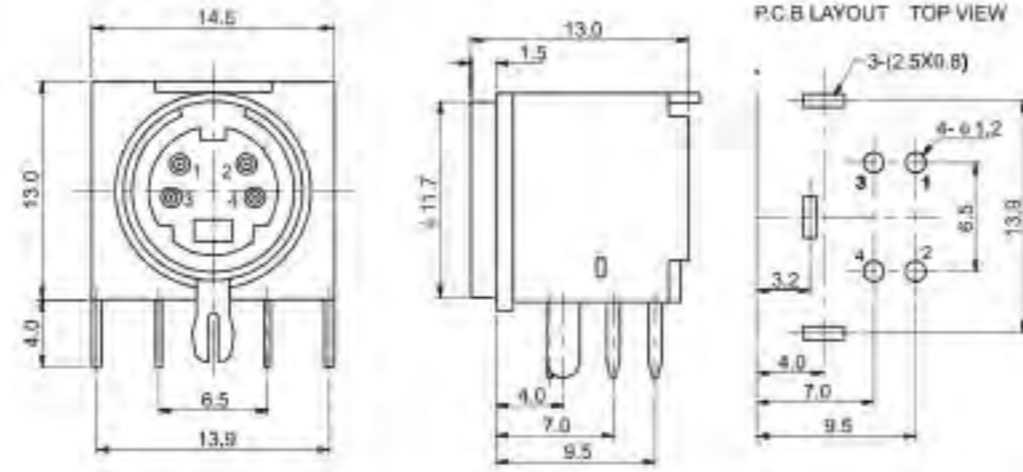
DIN-427



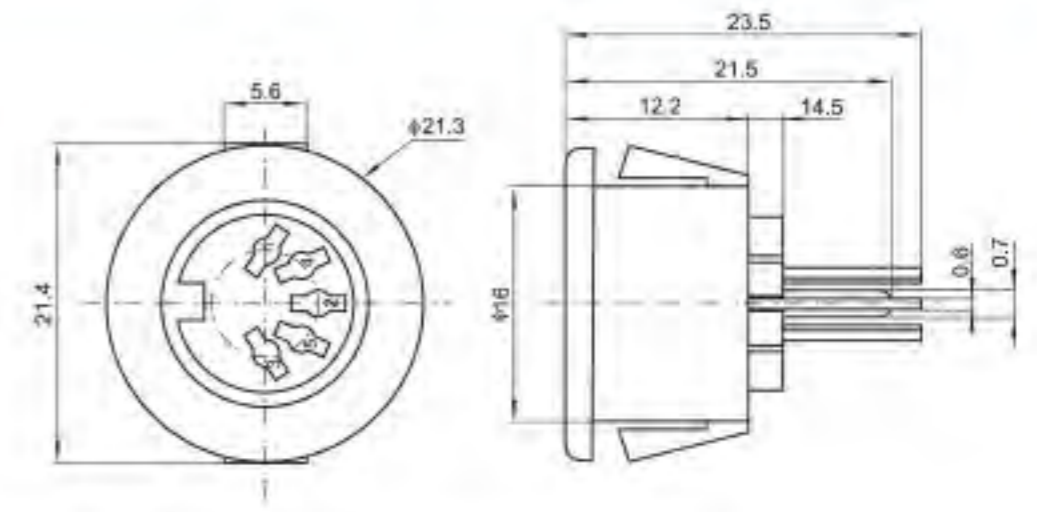
DIN-421-4/421-4A



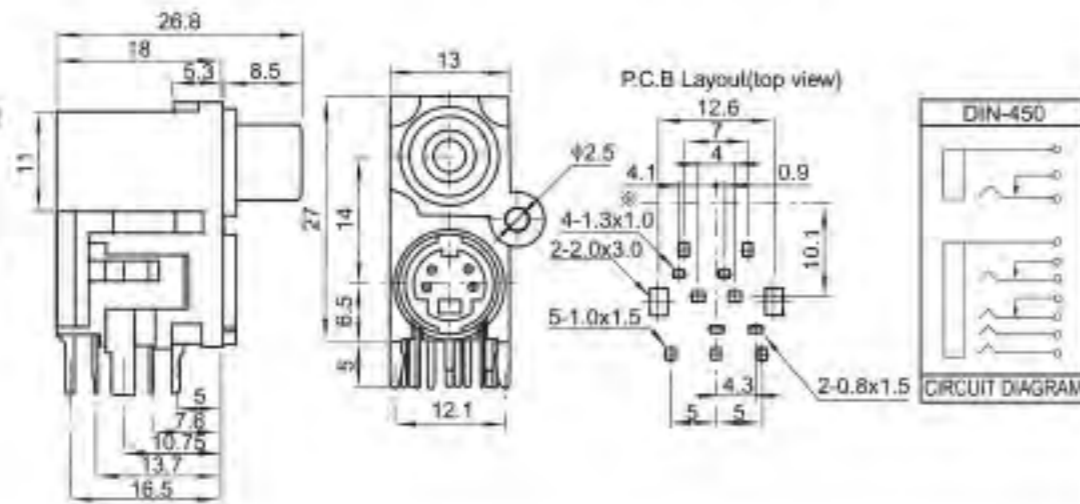
DIN-429



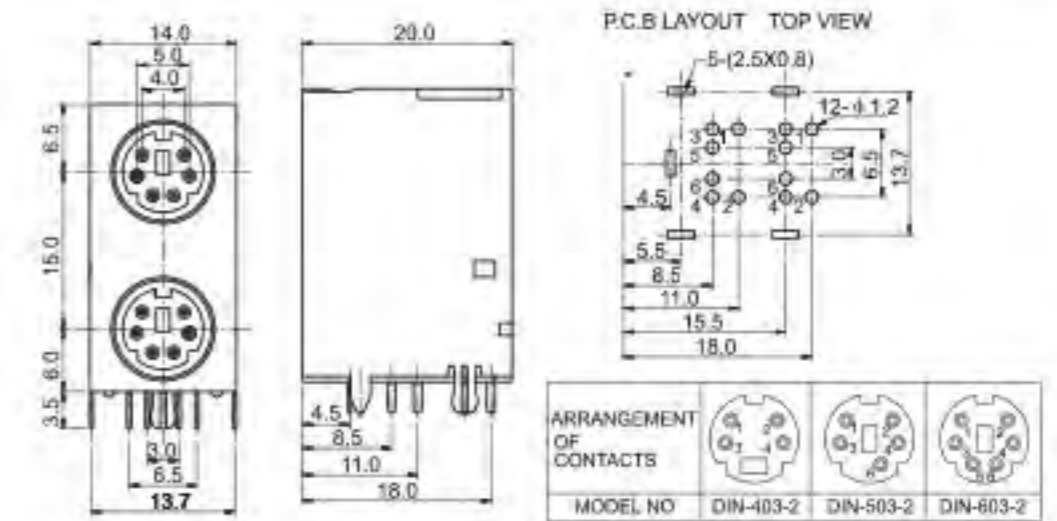
DIN-430



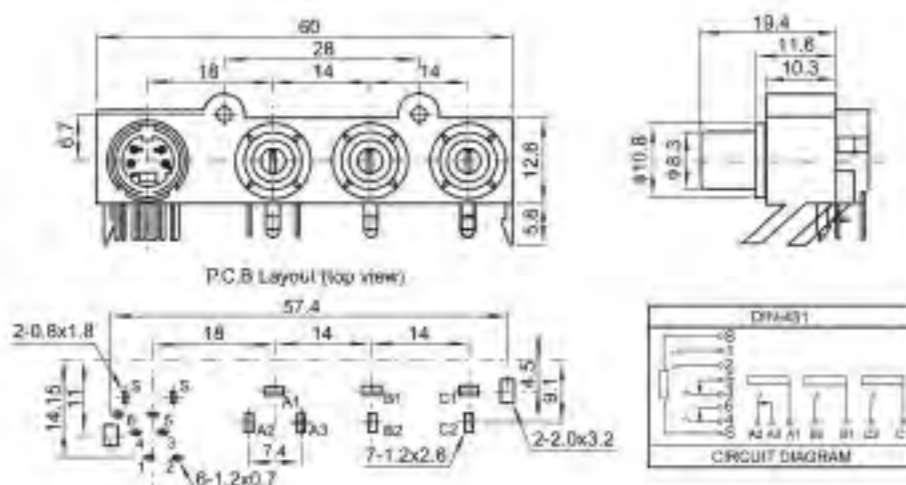
DIN-526



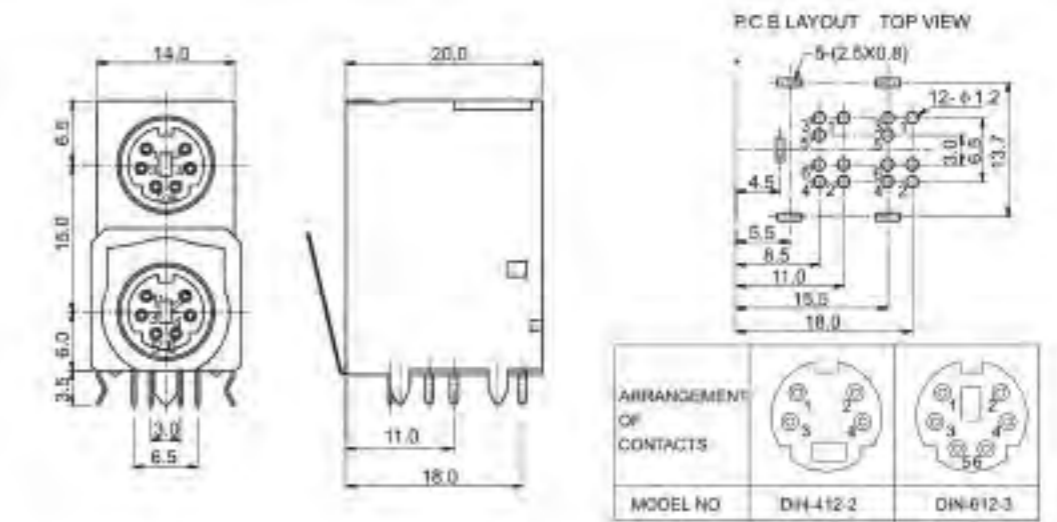
DIN-451



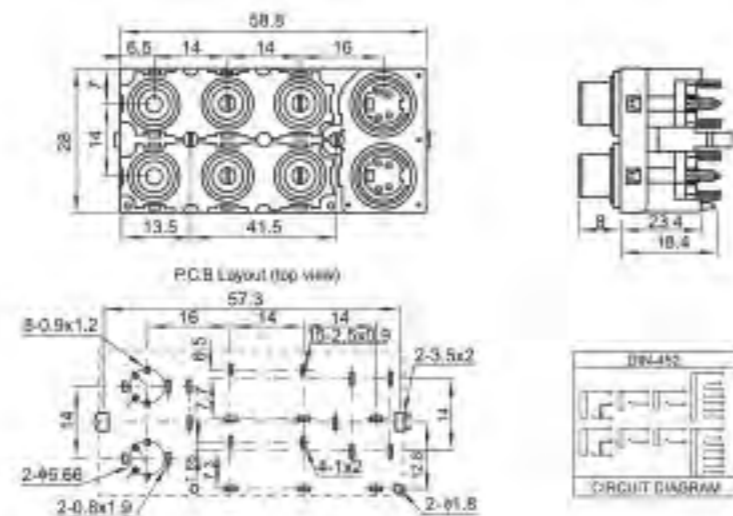
DIN-603-2



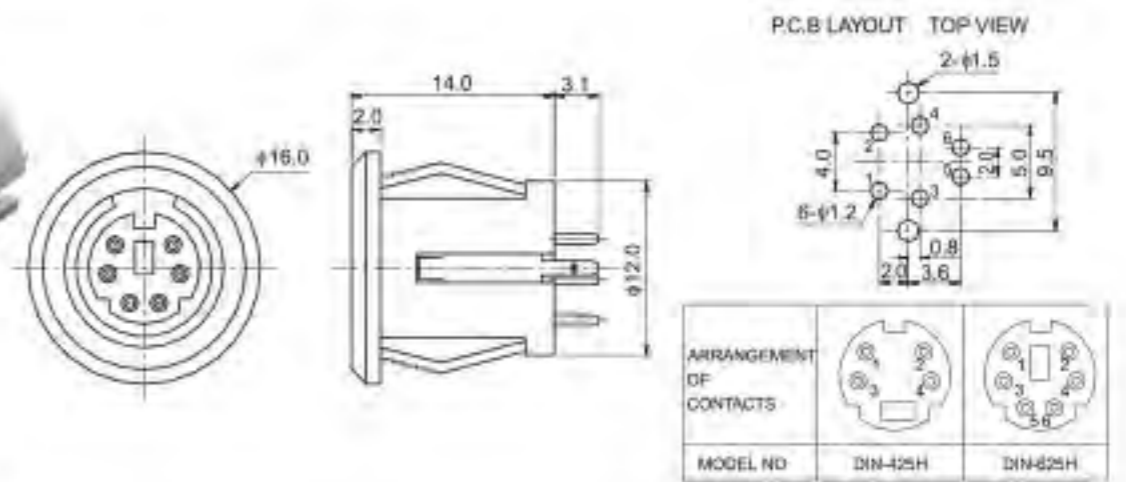
DIN-452



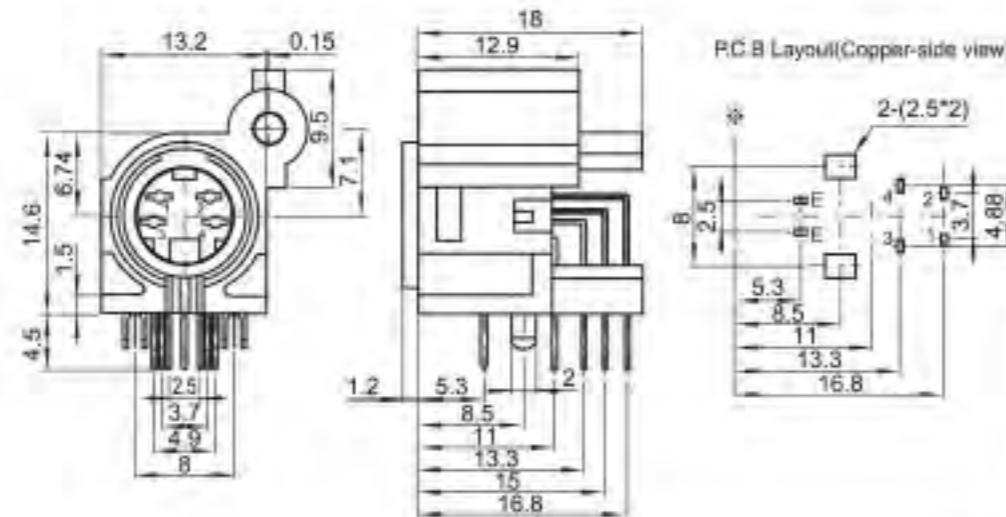
DIN-612-2



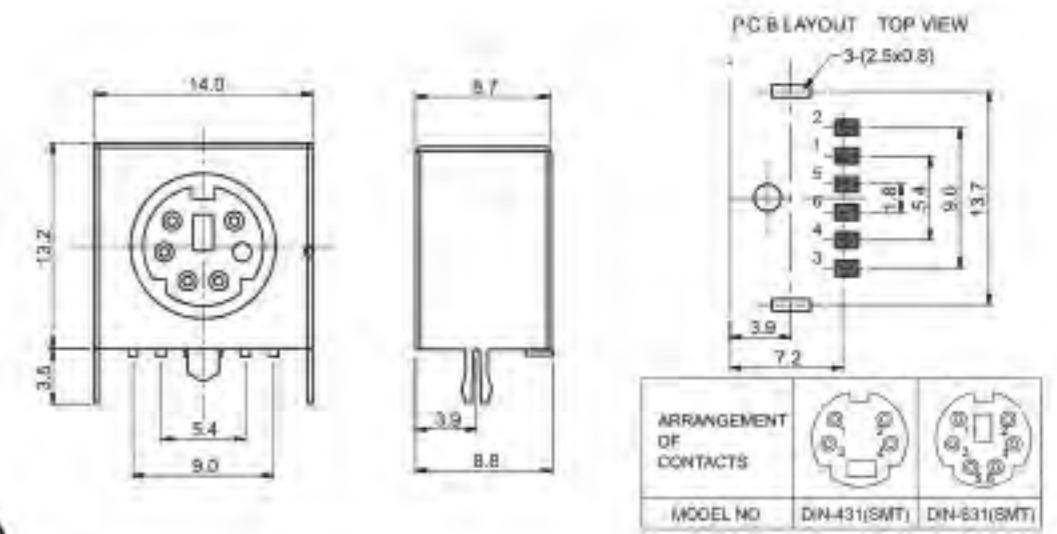
DIN-453



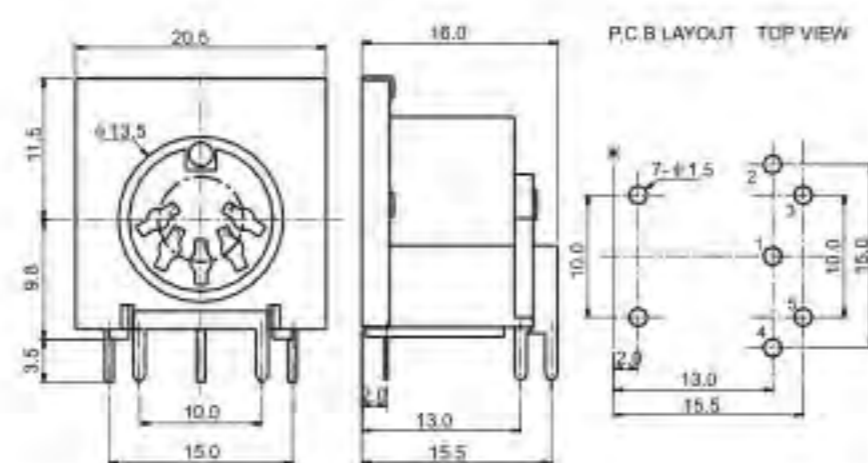
DIN-625H



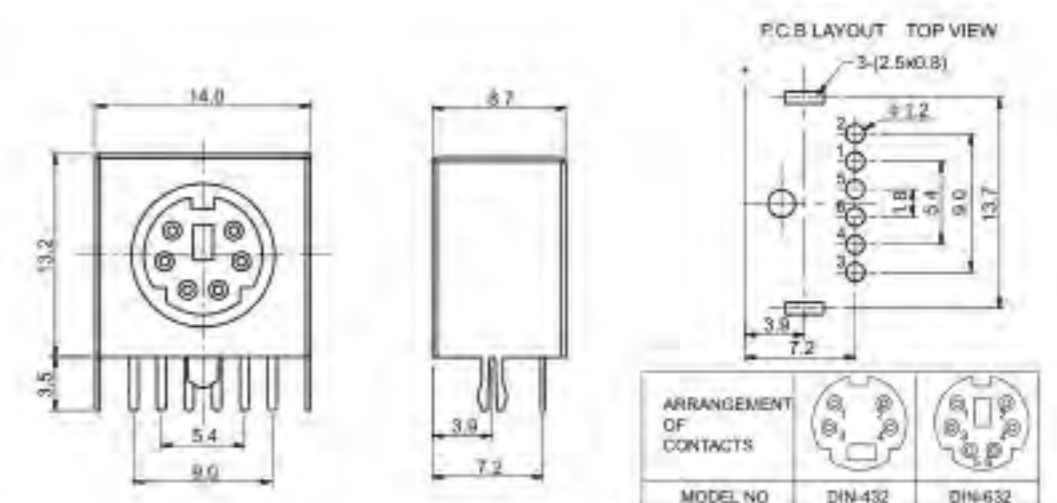
DIN-455



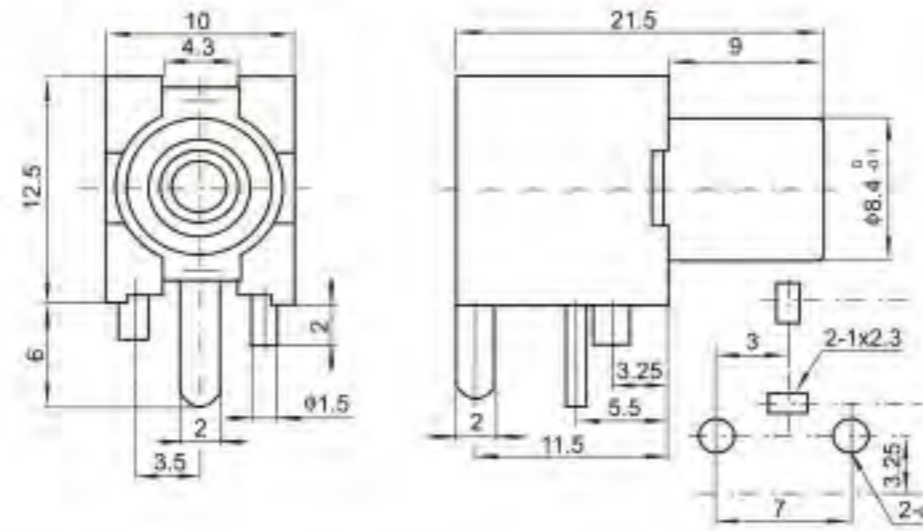
DIN-631(SMT)



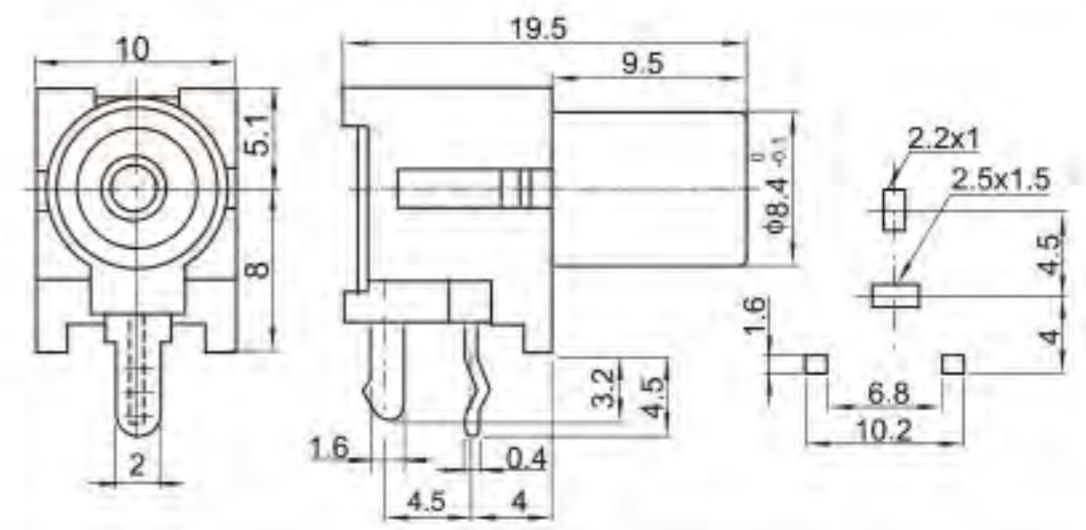
DIN-504A/504B



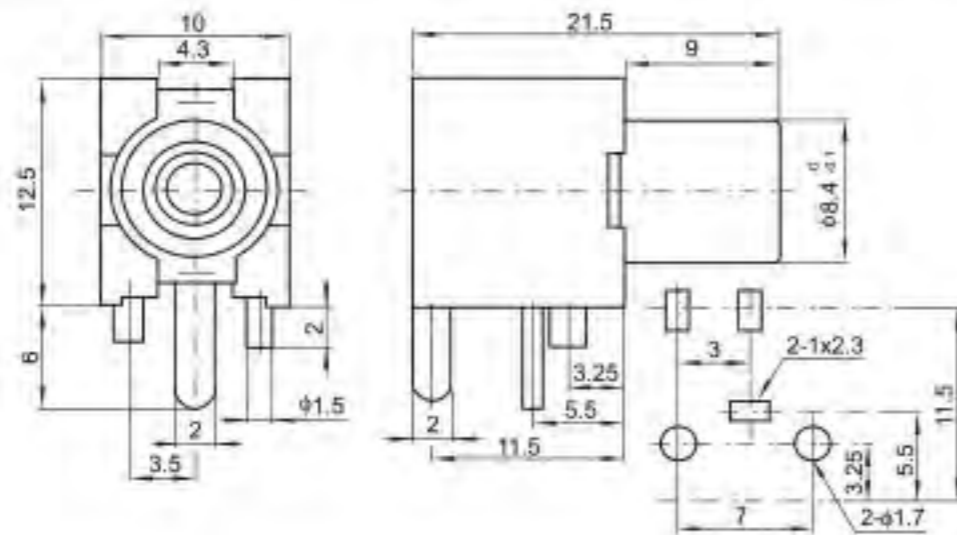
DIN-632



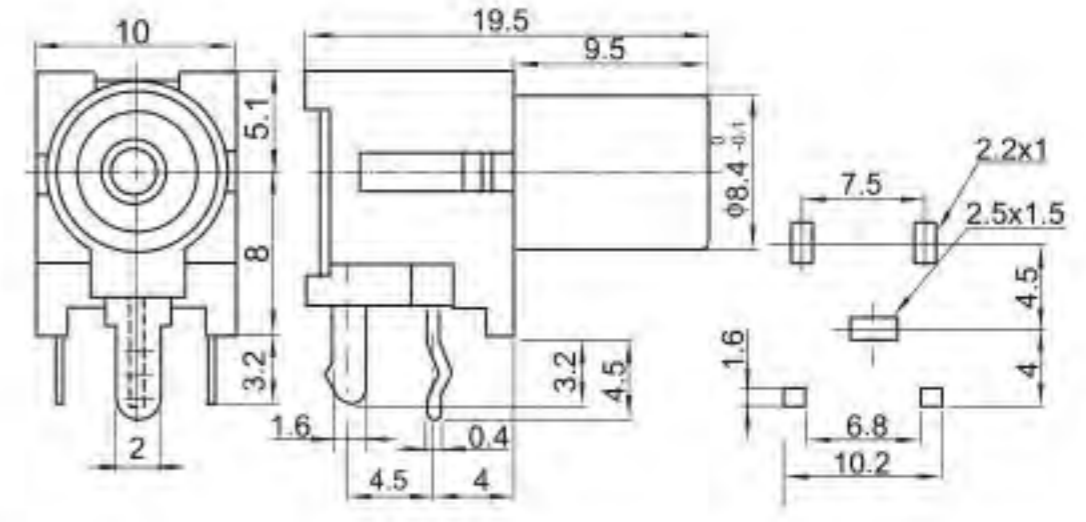
AV-8.4-1



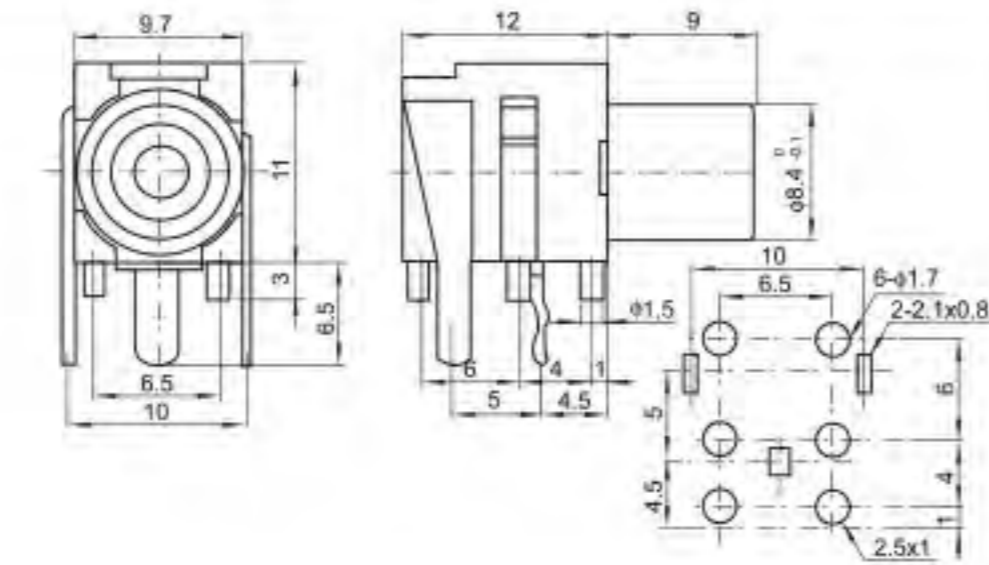
AV-8.4-5



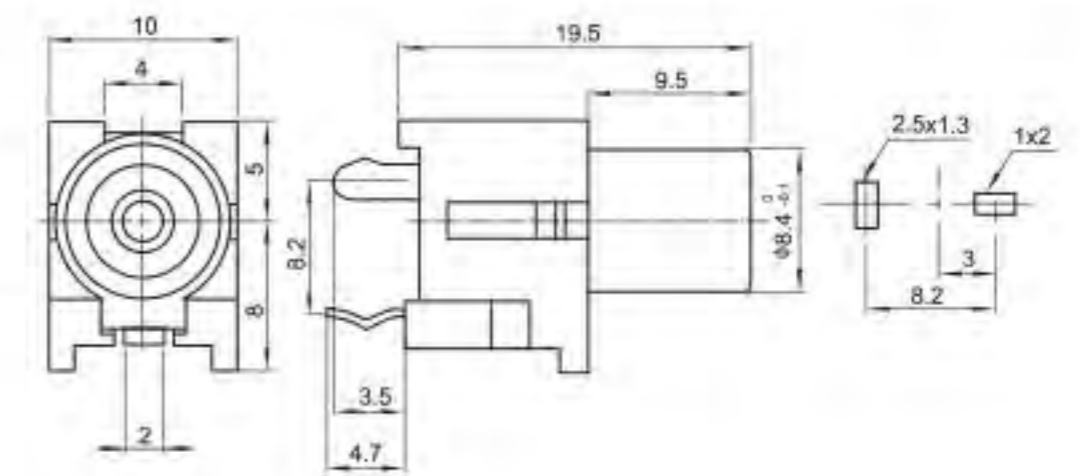
AV-8.4-1K



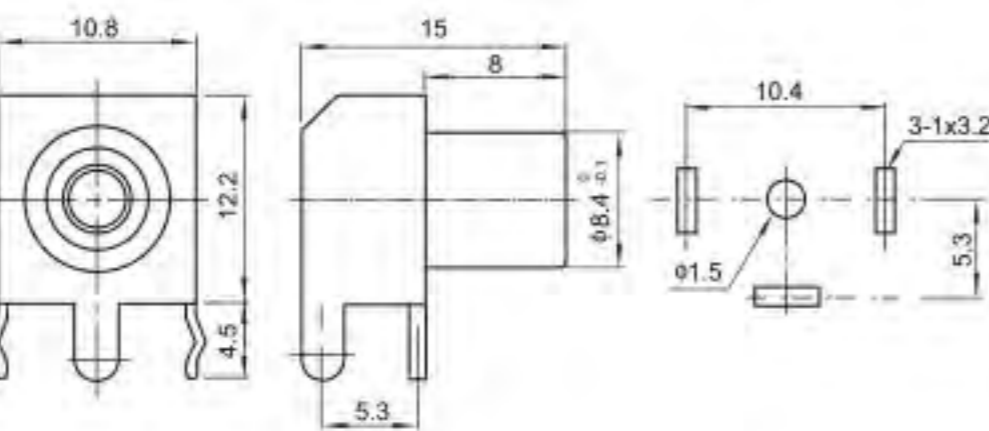
AV-8.4-5K



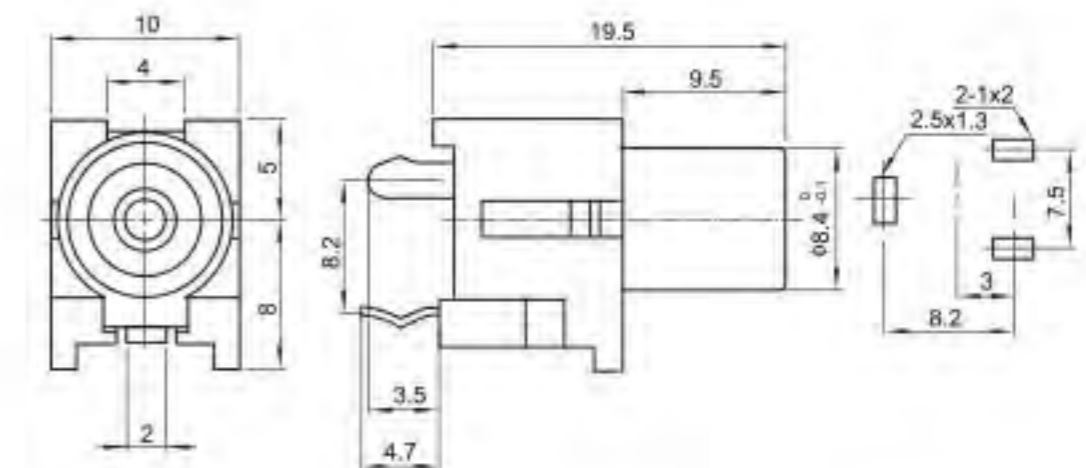
AV-8.4-2



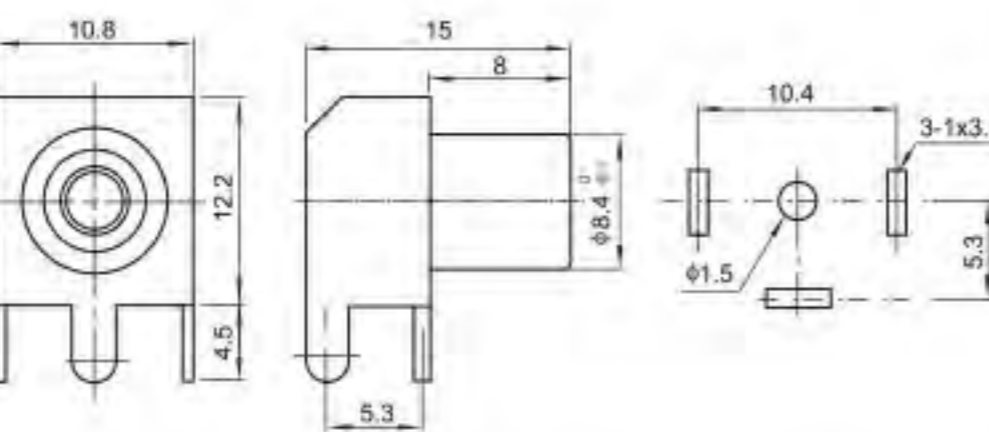
AV-8.4-6



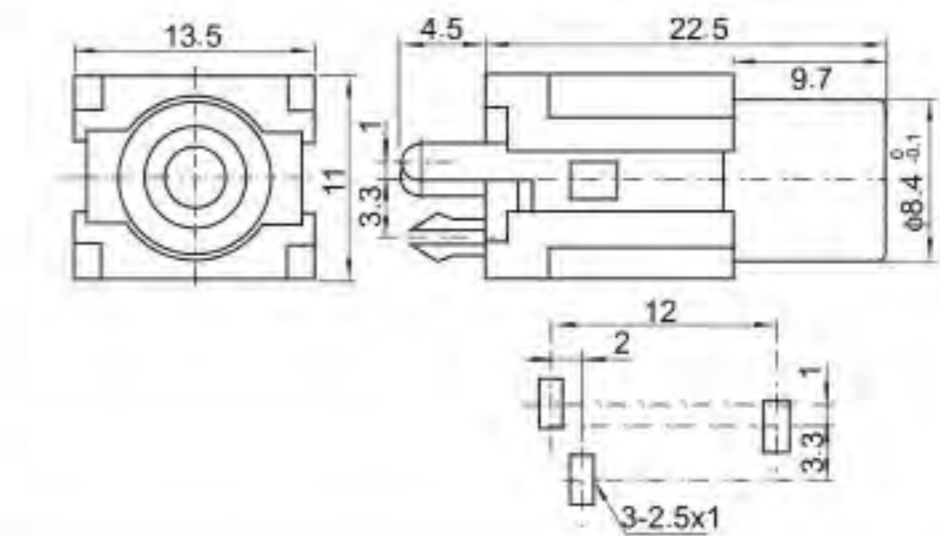
AV-8.4-3



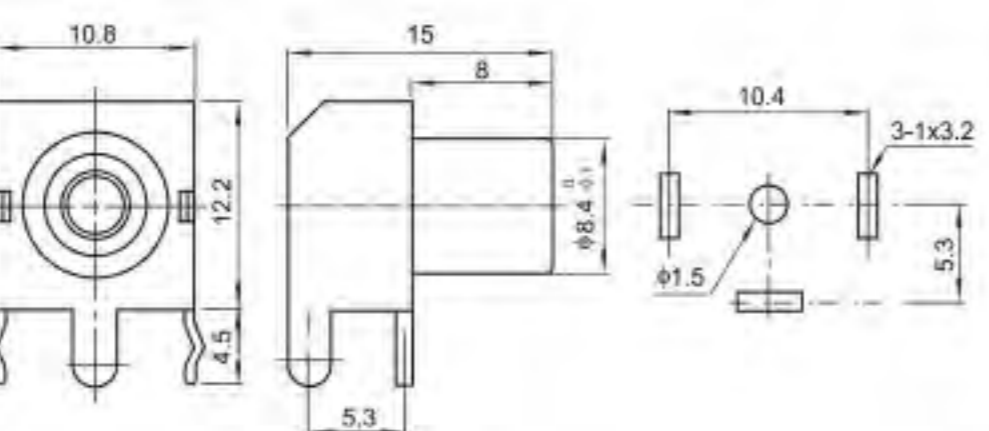
AV-8.4-6K



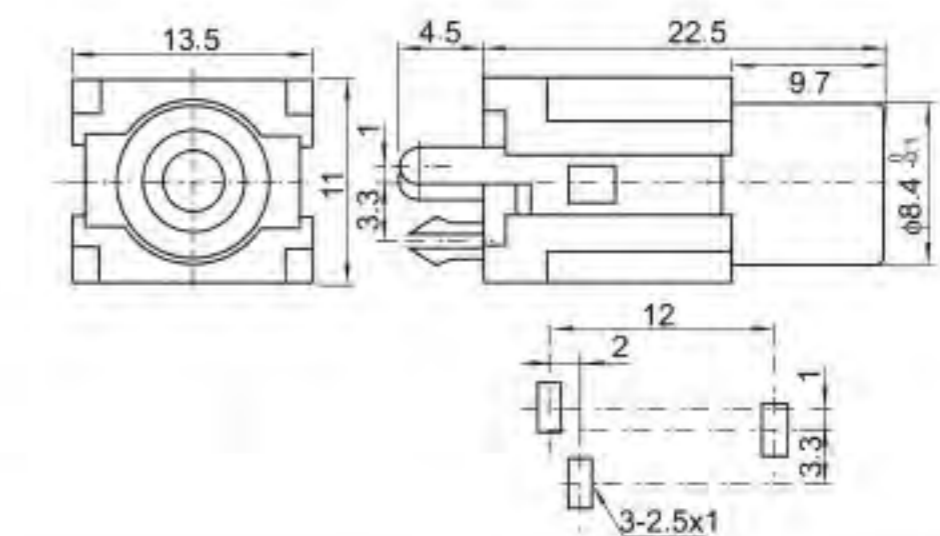
AV-8.4-3A



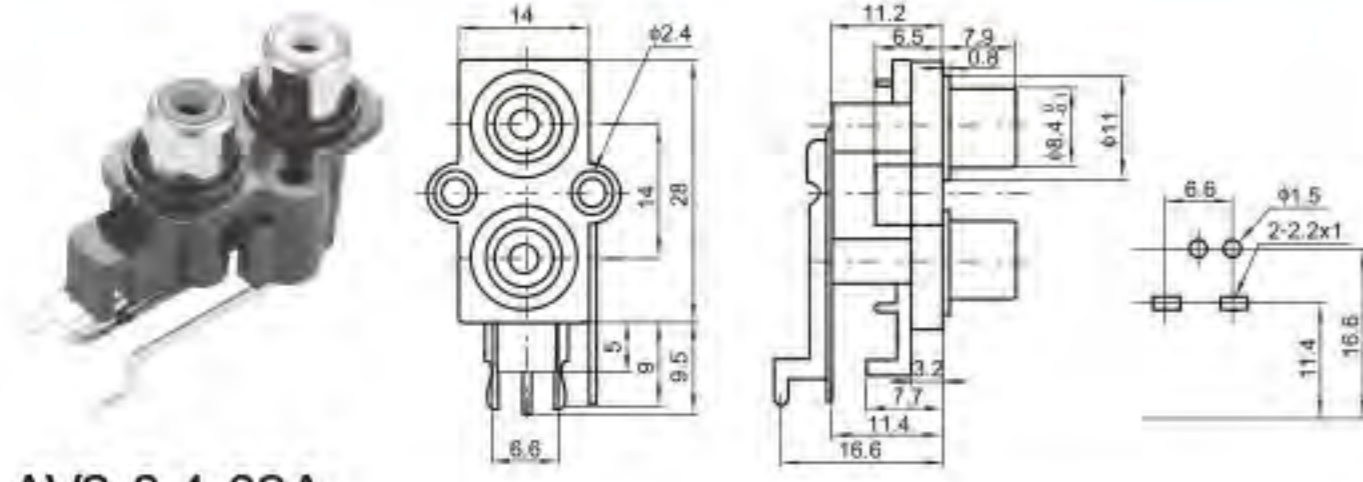
AV-8.4-7



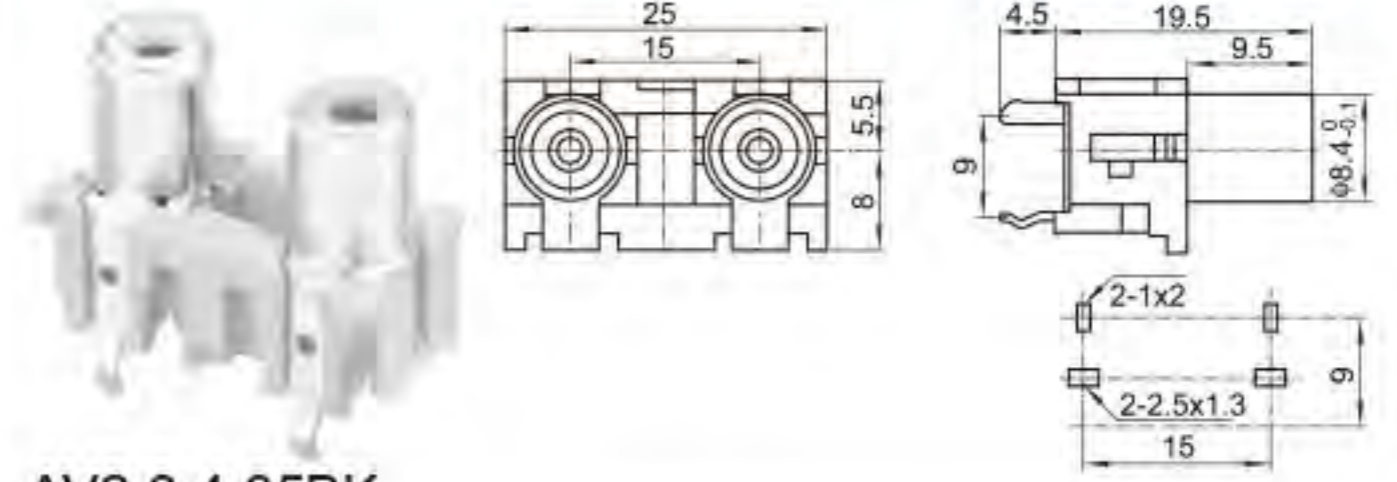
AV-8.4-3B(一体)



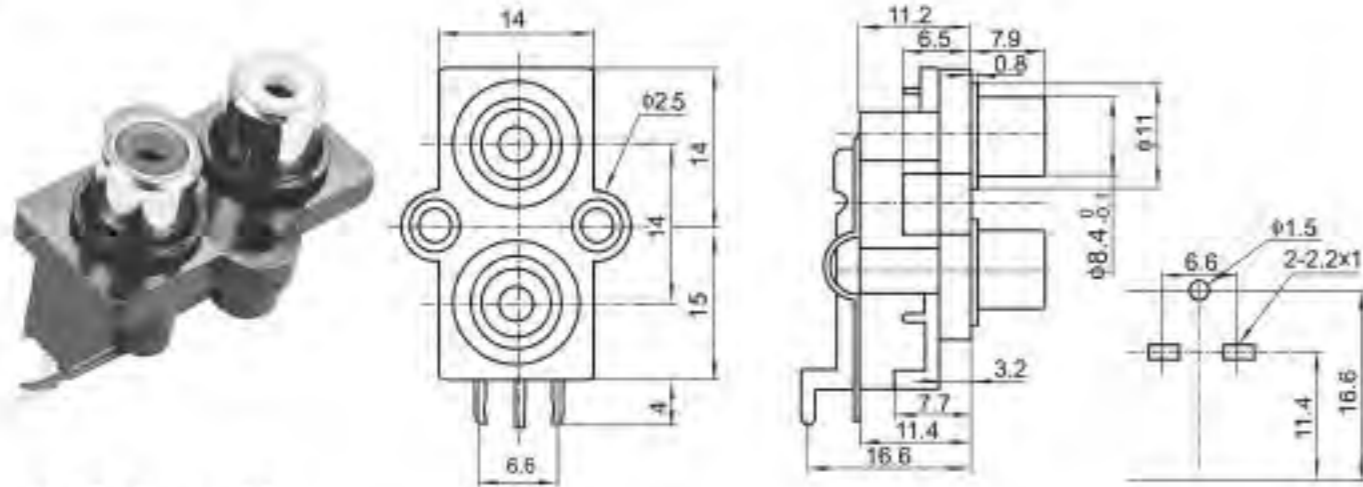
AV-8.4-7K



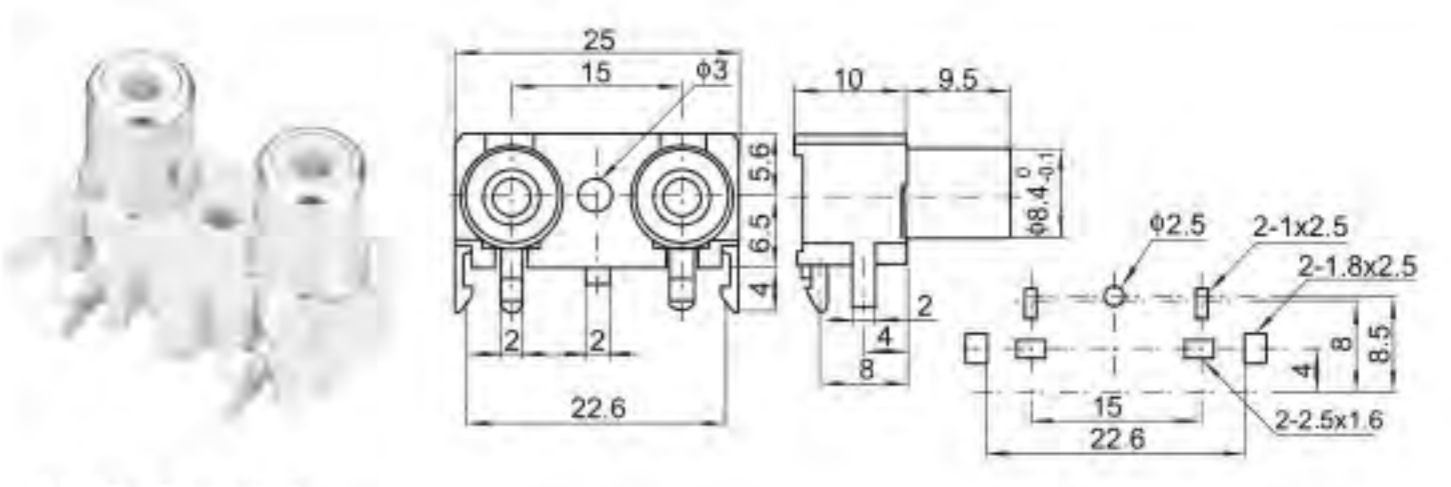
AV2-8.4-02A



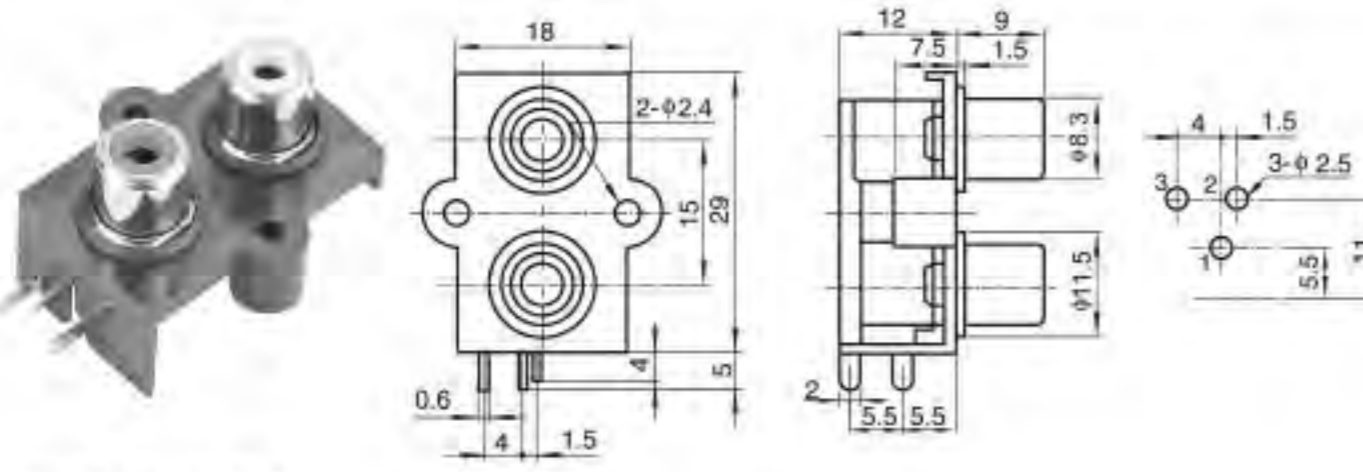
AV2-8.4-05BK



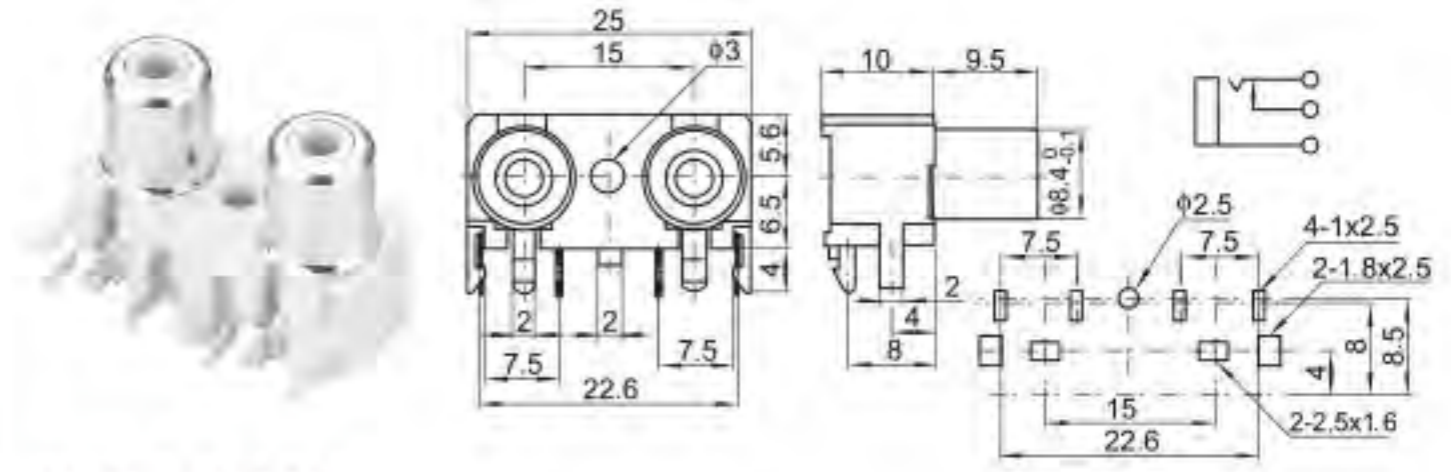
AV2-8.4-03



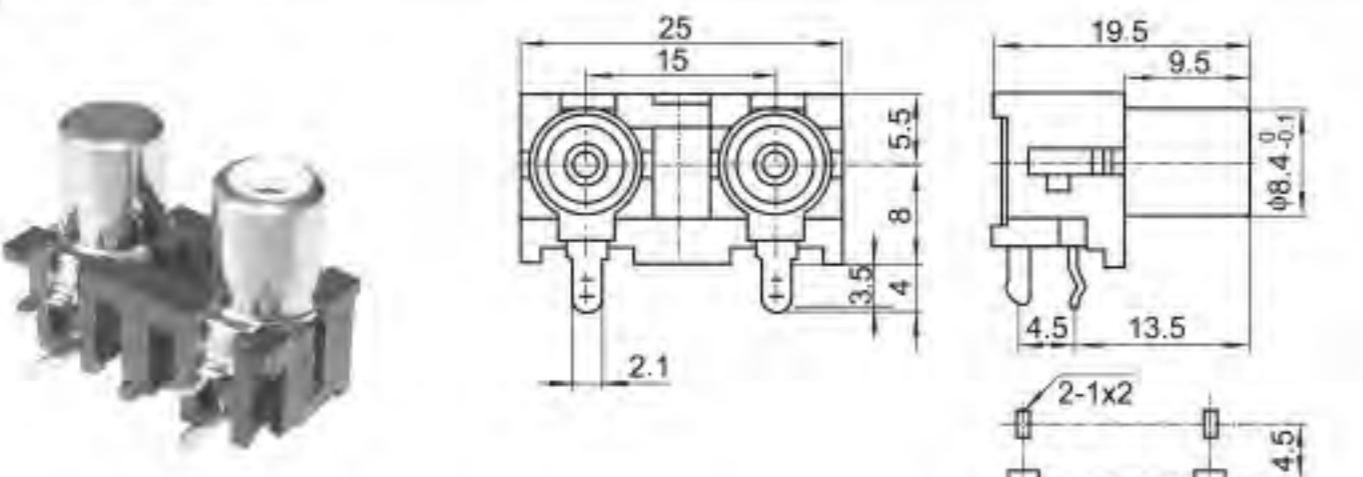
AV2-8.4-06



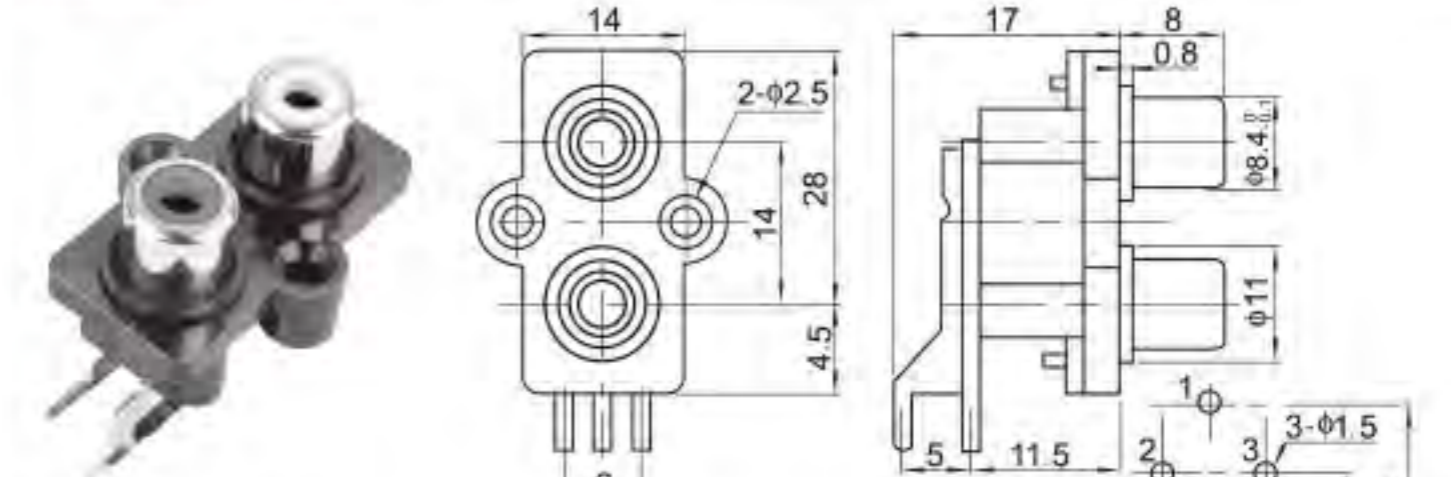
AV2-8.4-04



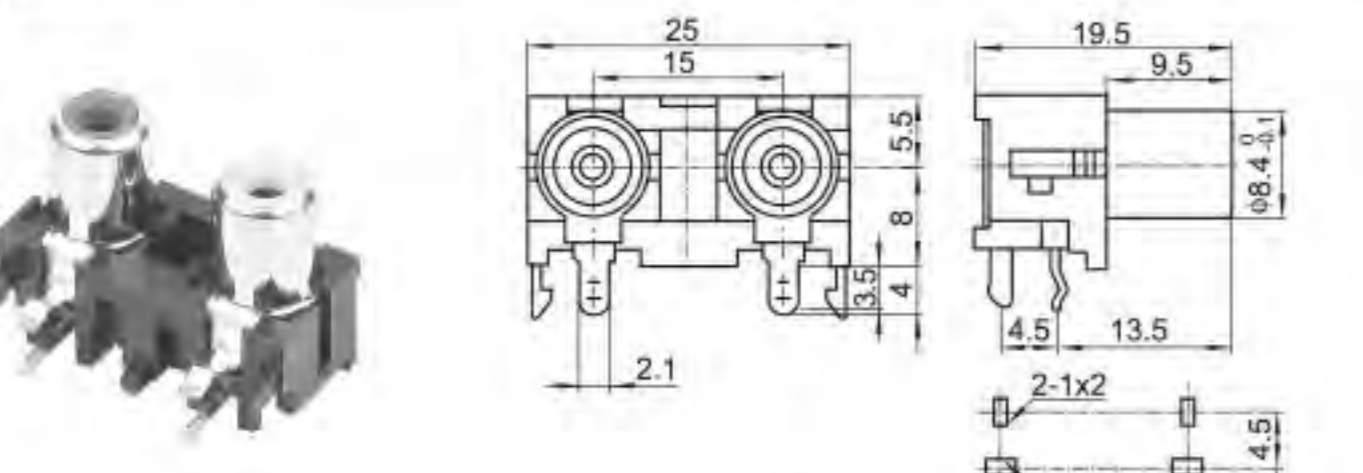
AV2-8.4-06K



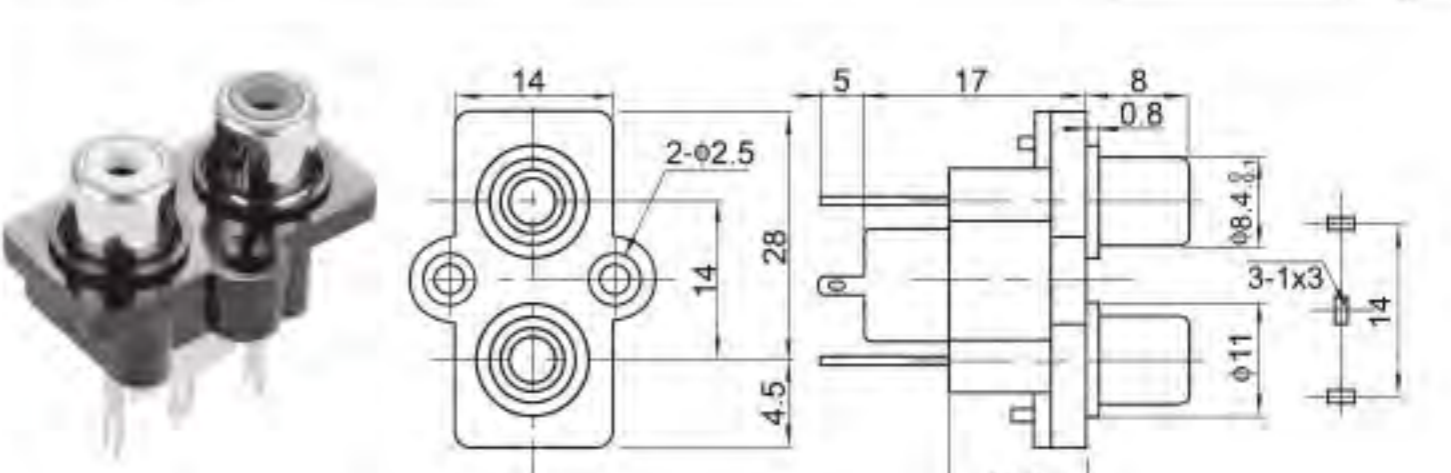
AV2-8.4-05



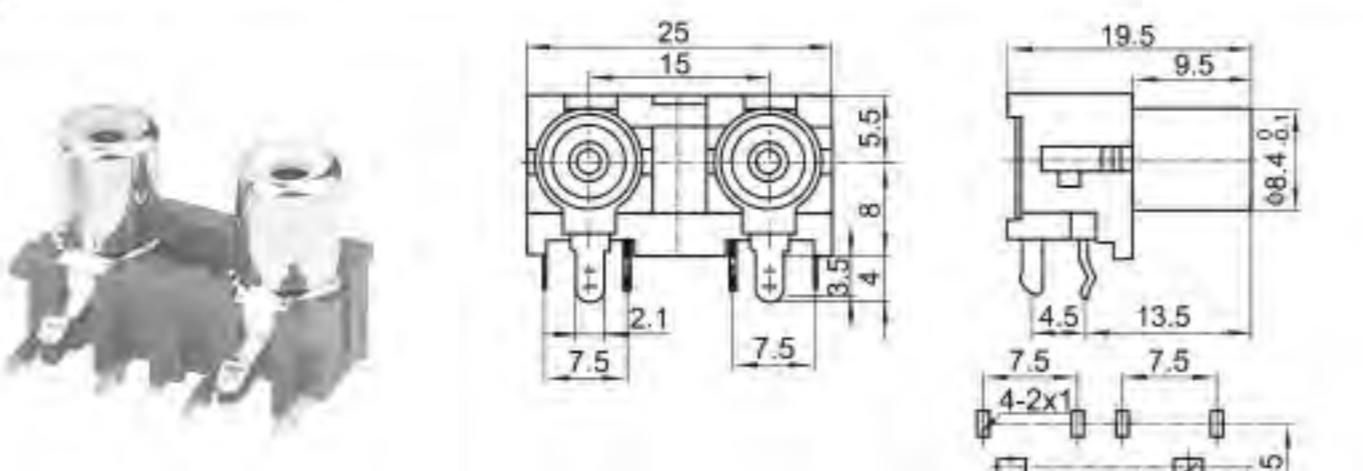
AV2-8.4-07



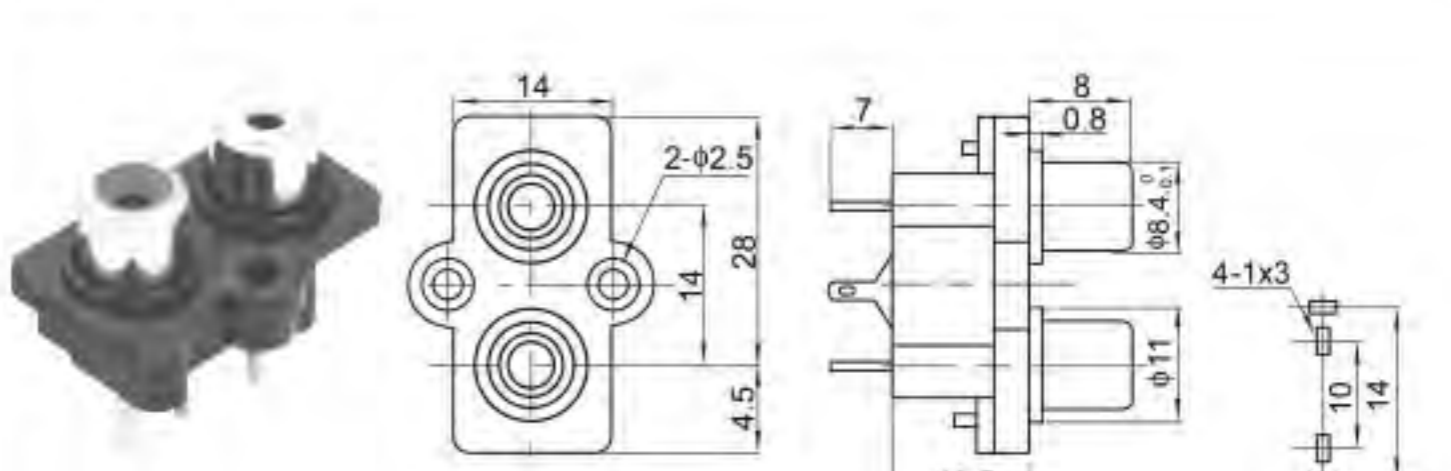
AV2-8.4-05A



AV2-8.4-07B



AV2-8.4-05K

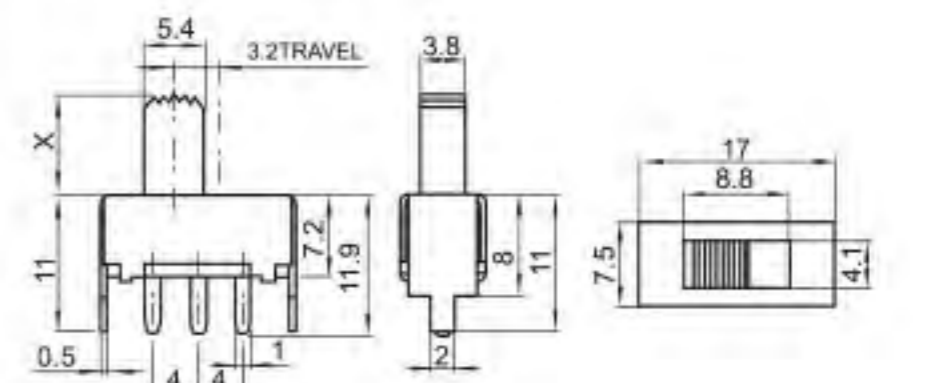
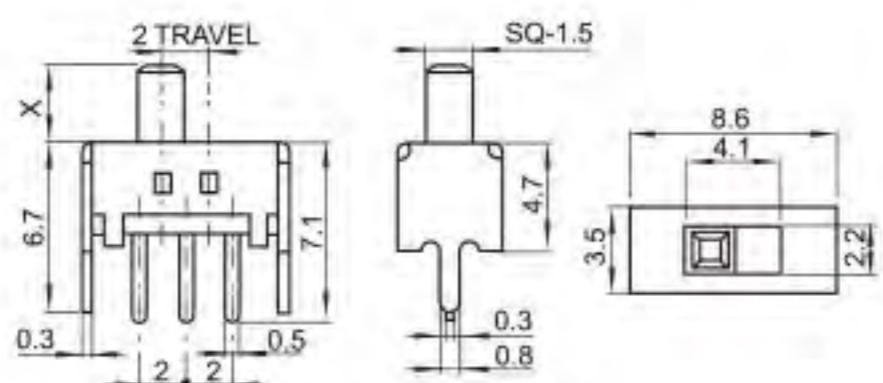
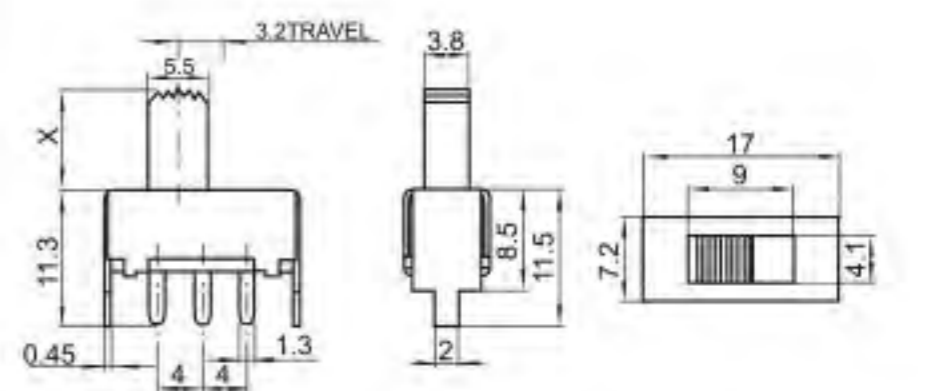
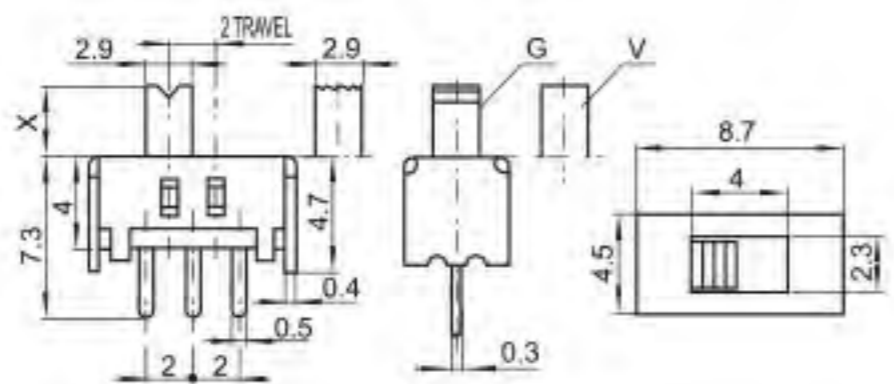
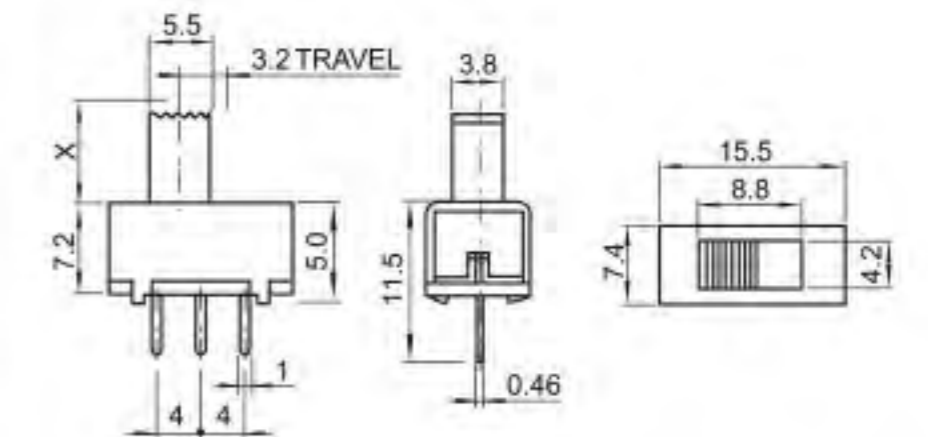
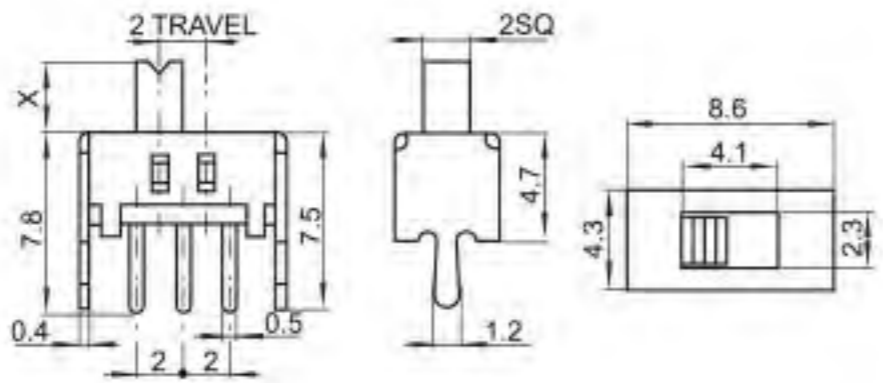
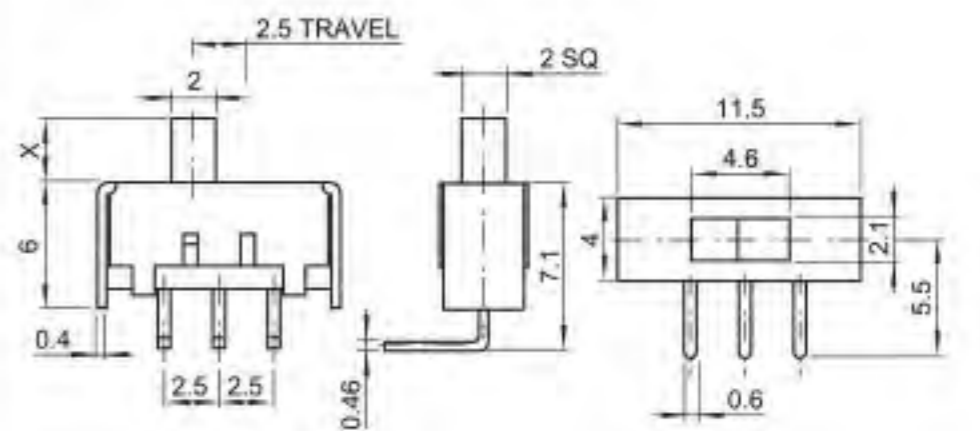
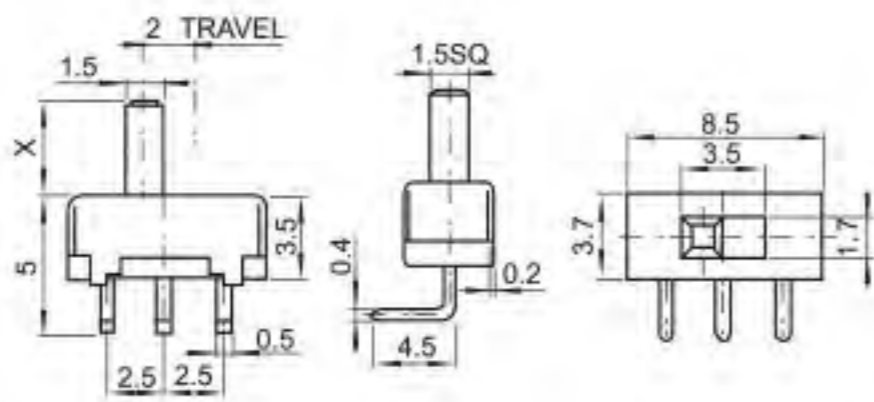
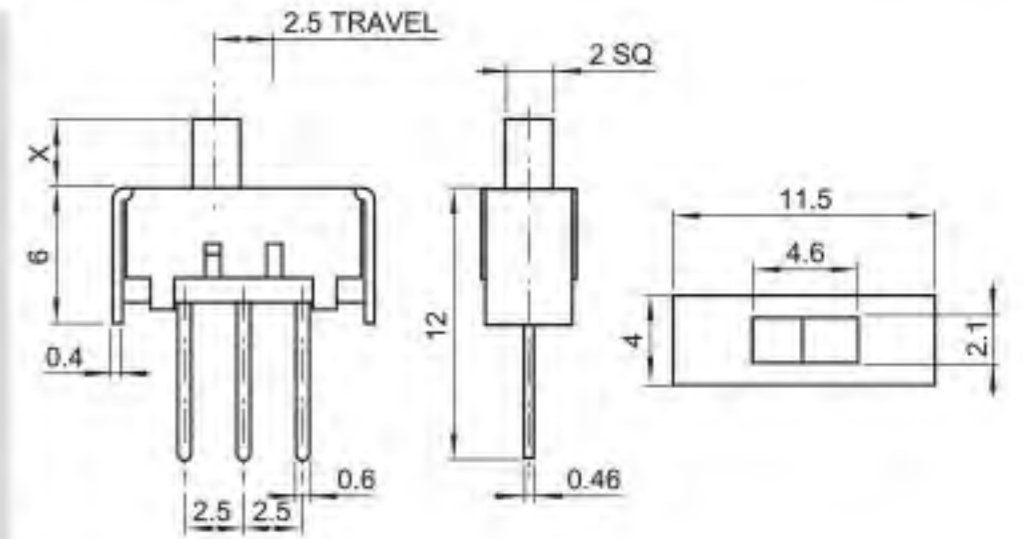
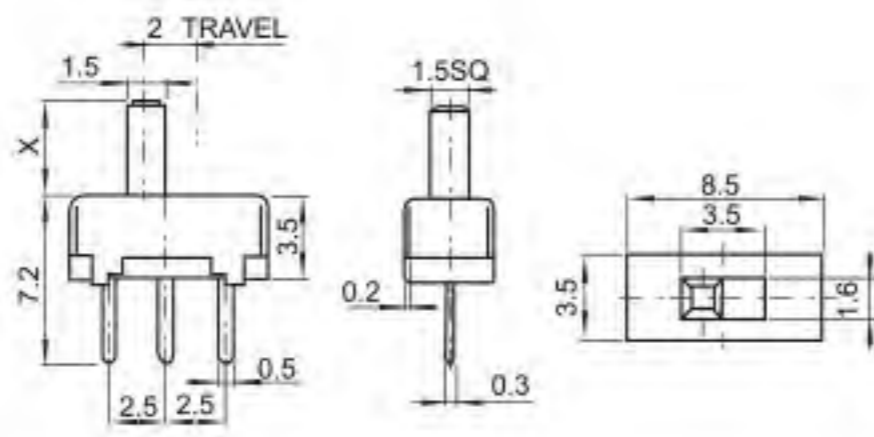
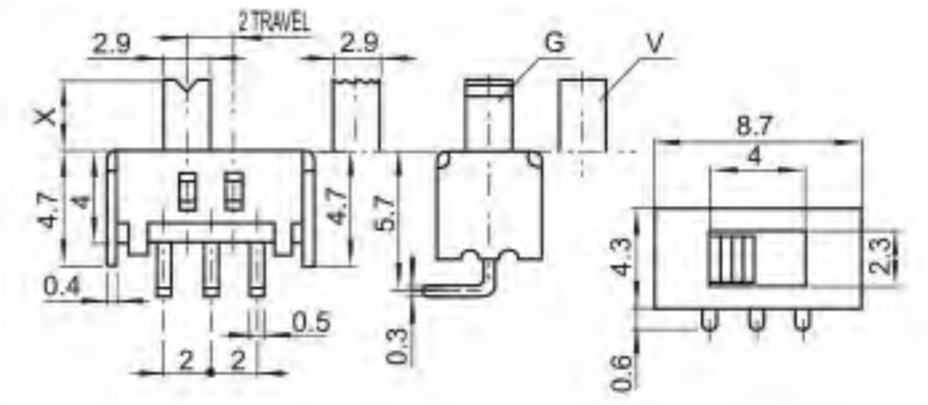
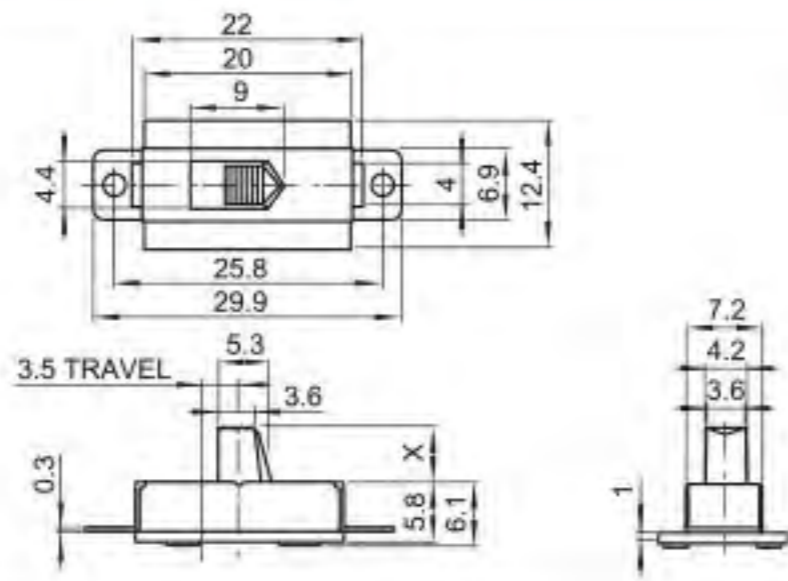


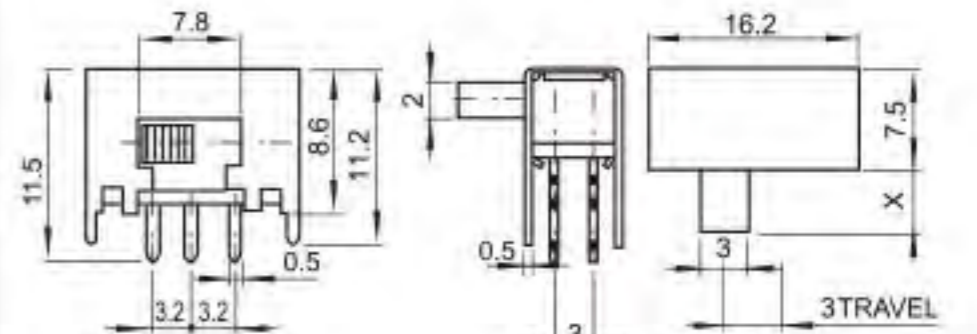
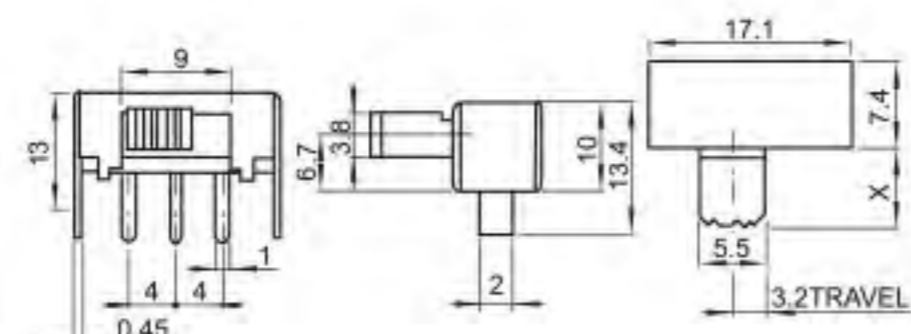
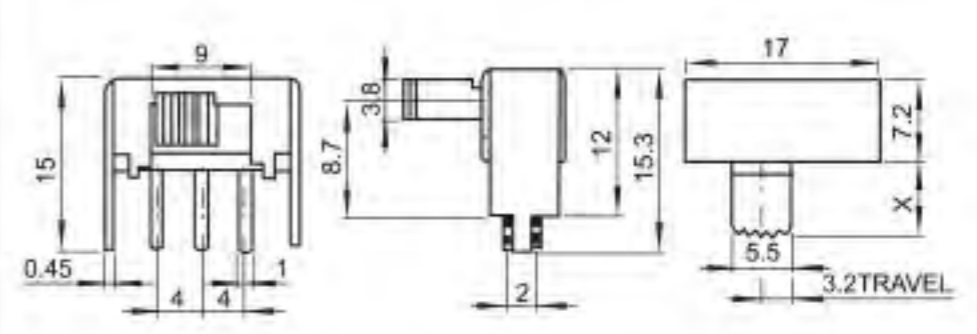
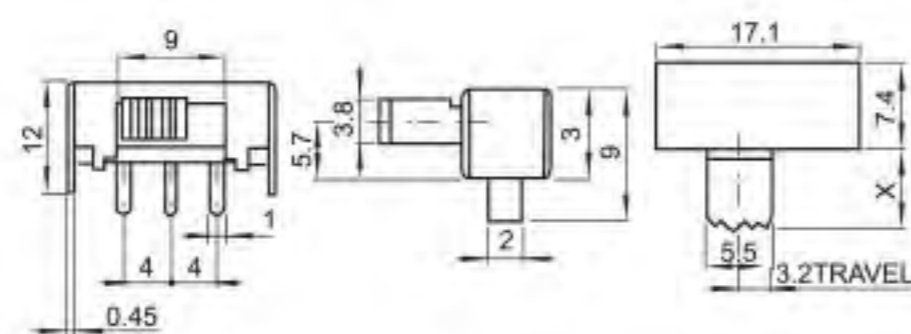
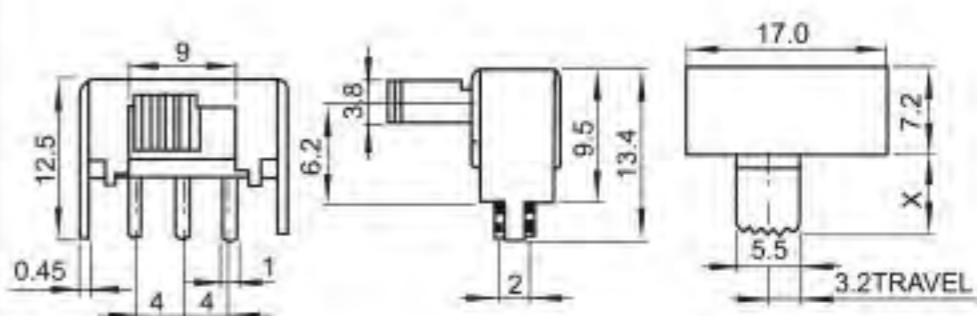
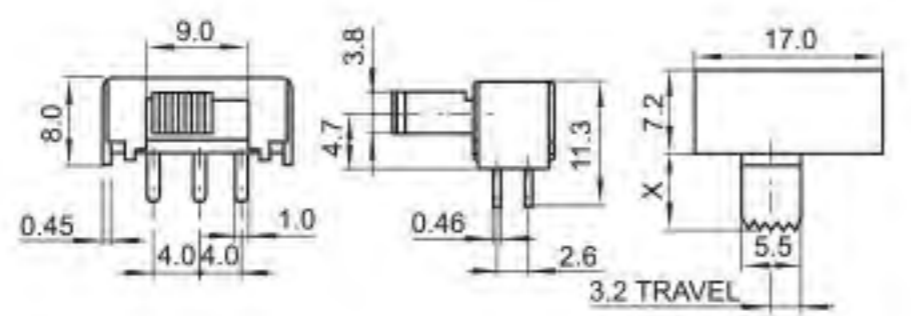
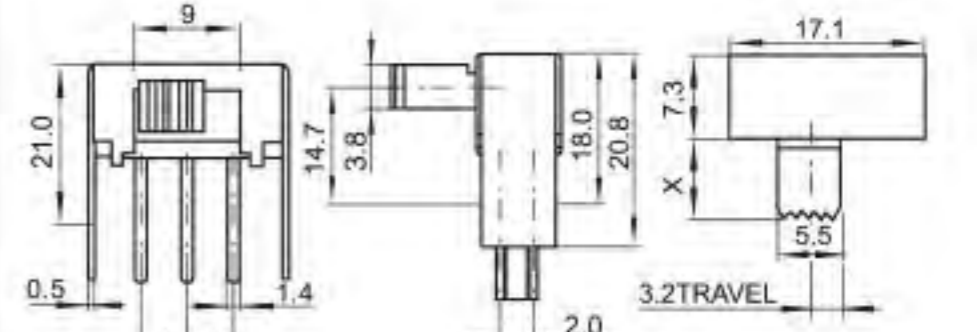
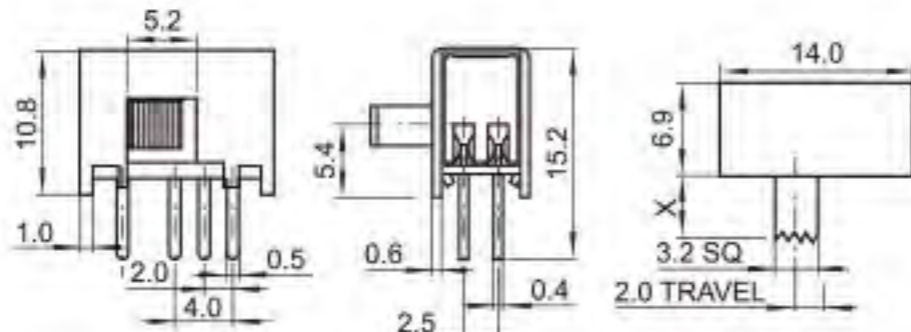
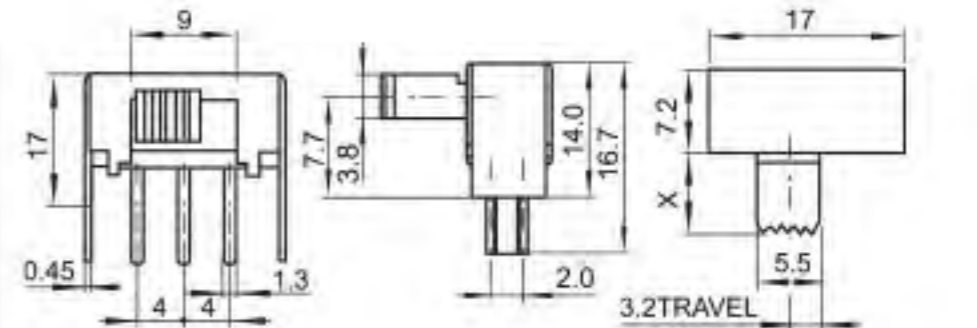
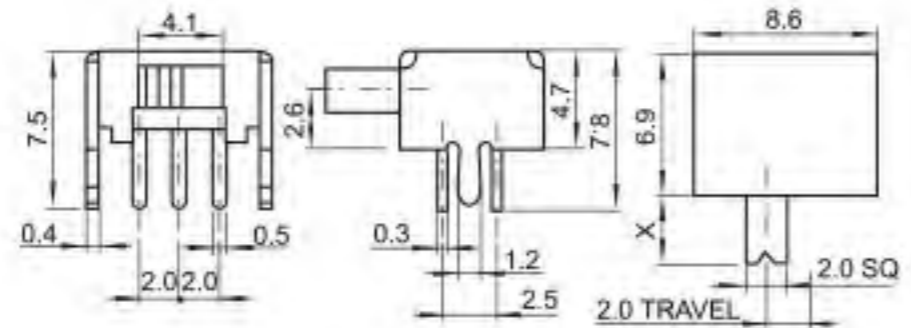
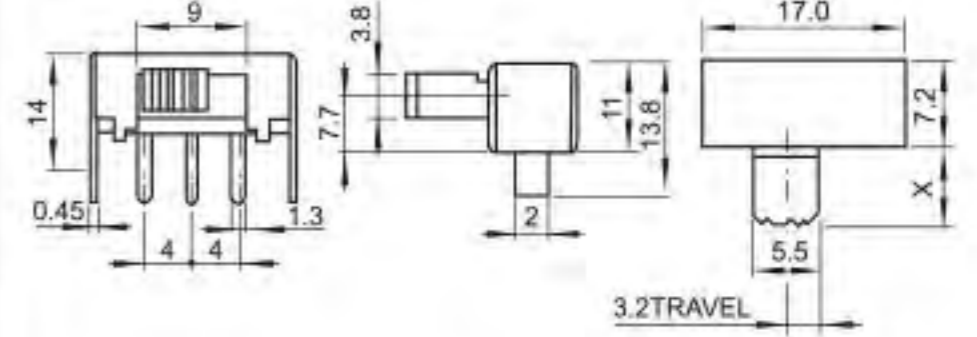
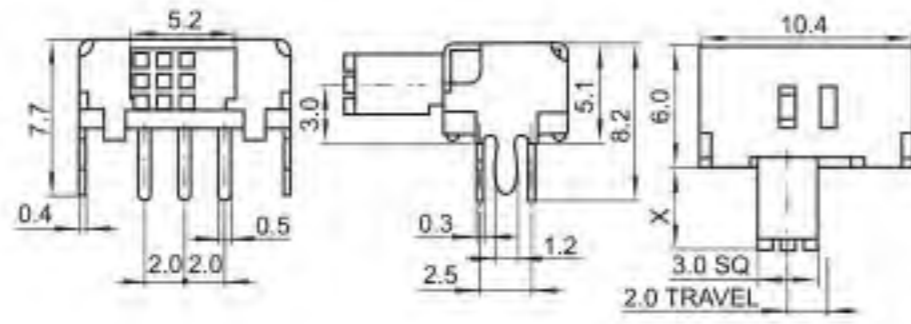
AV2-8.4-07C

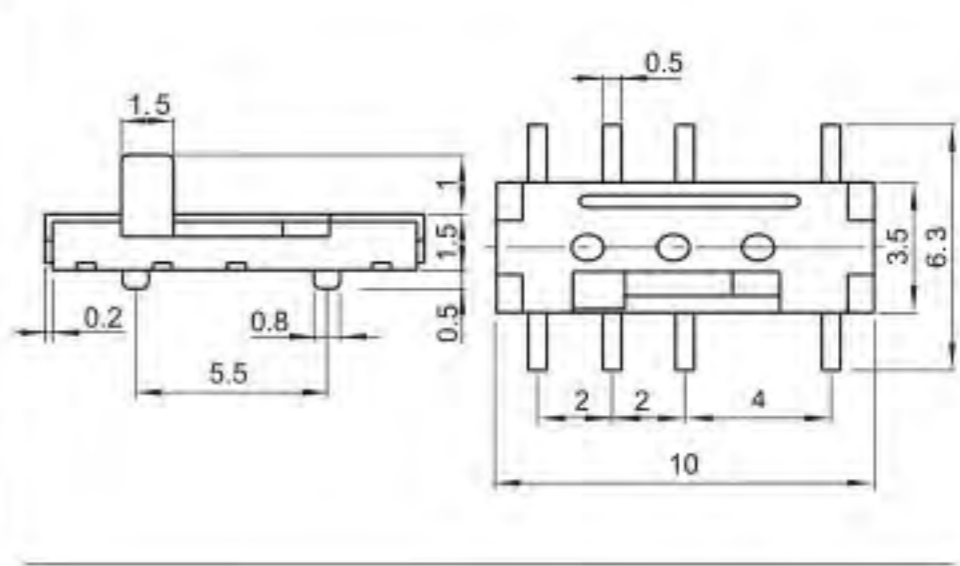
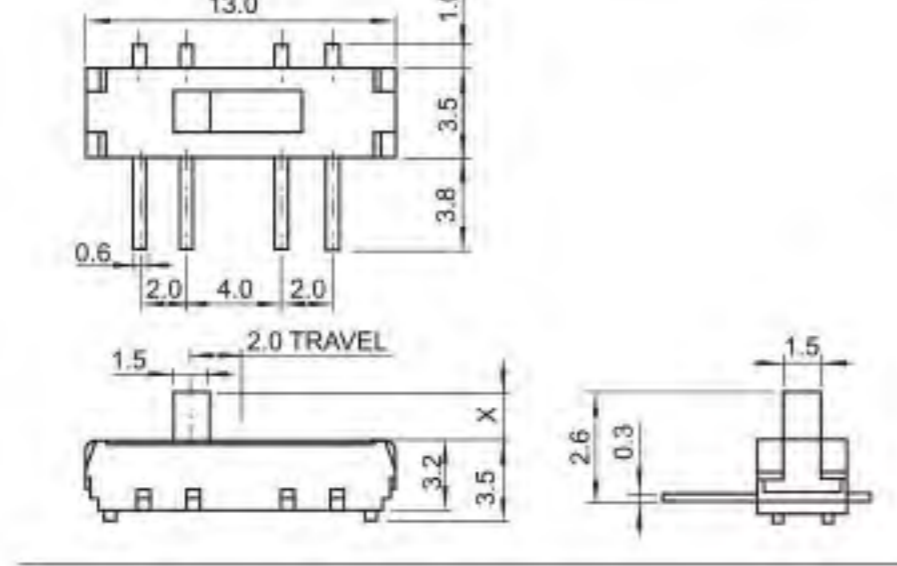
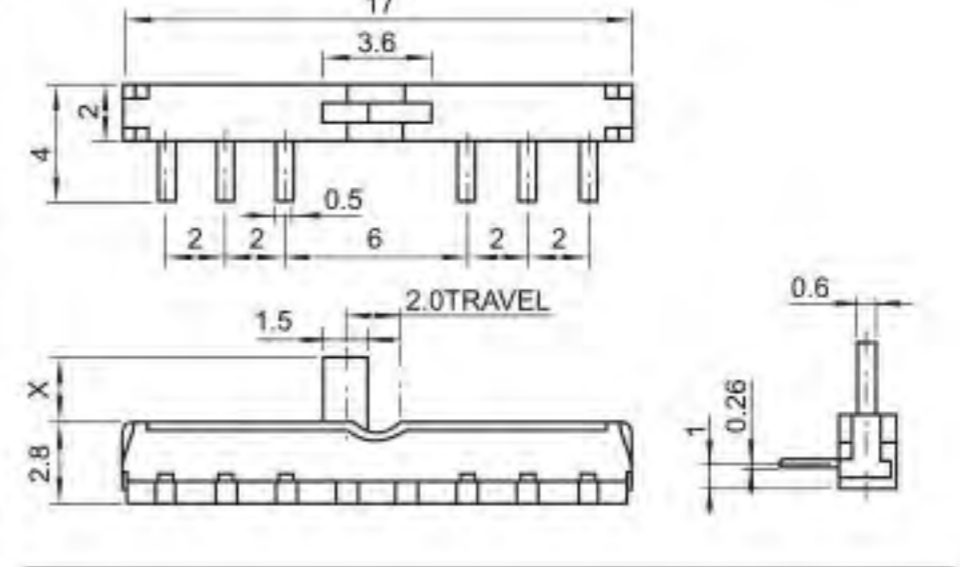
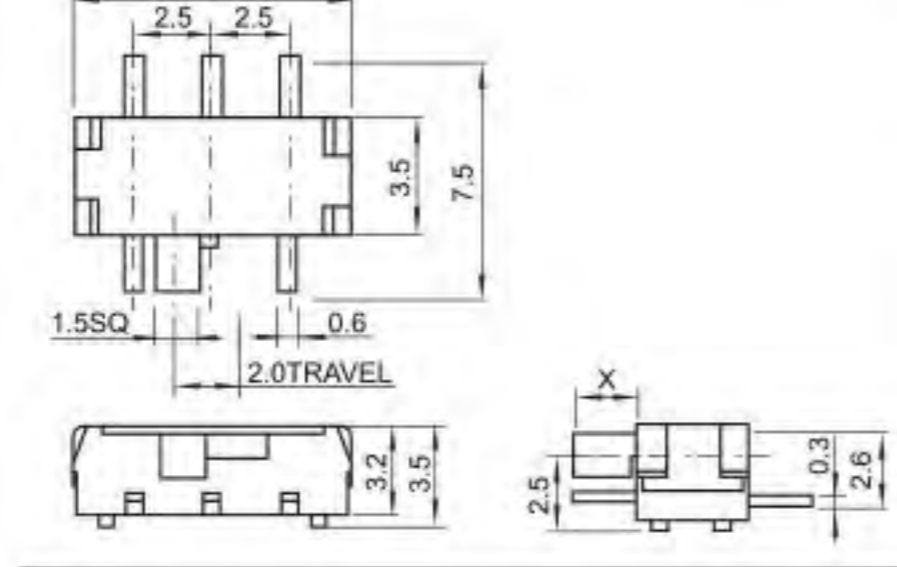
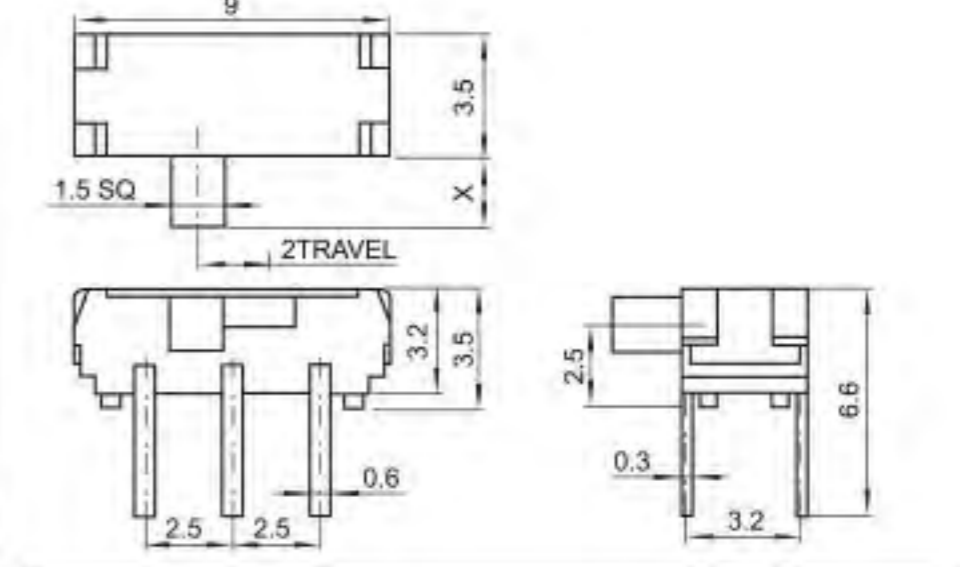
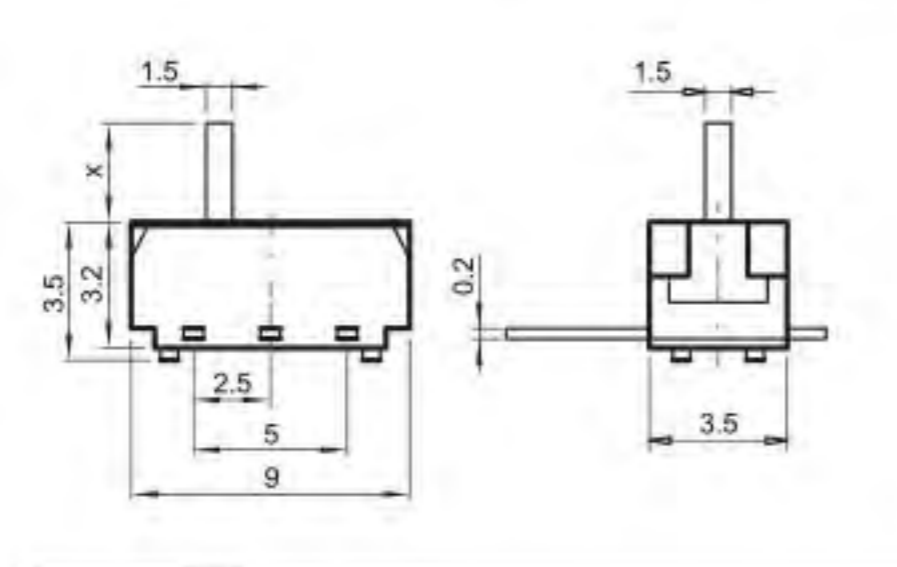
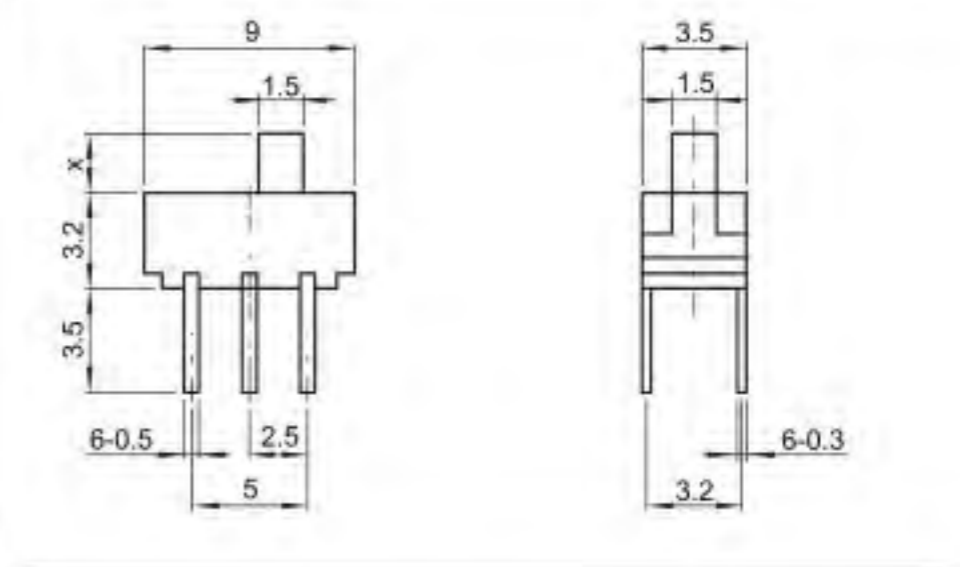
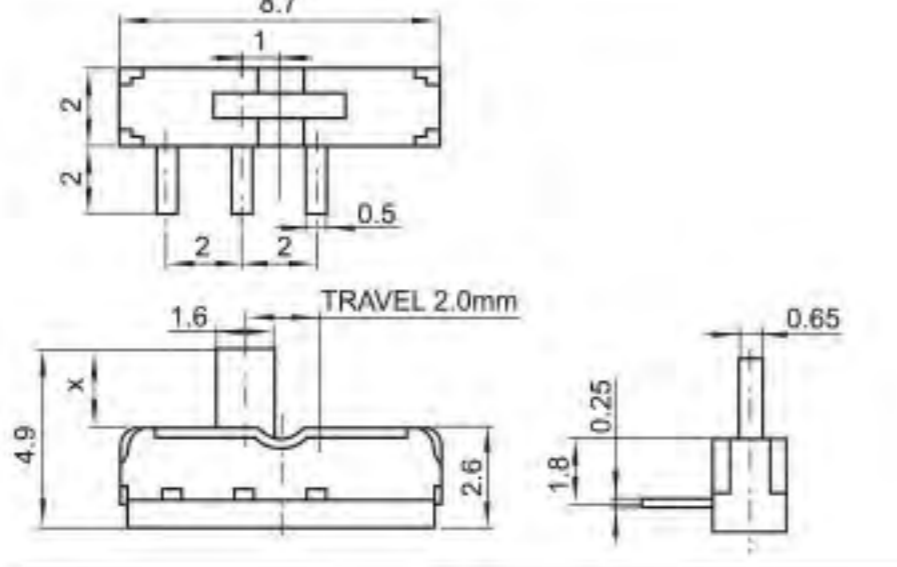
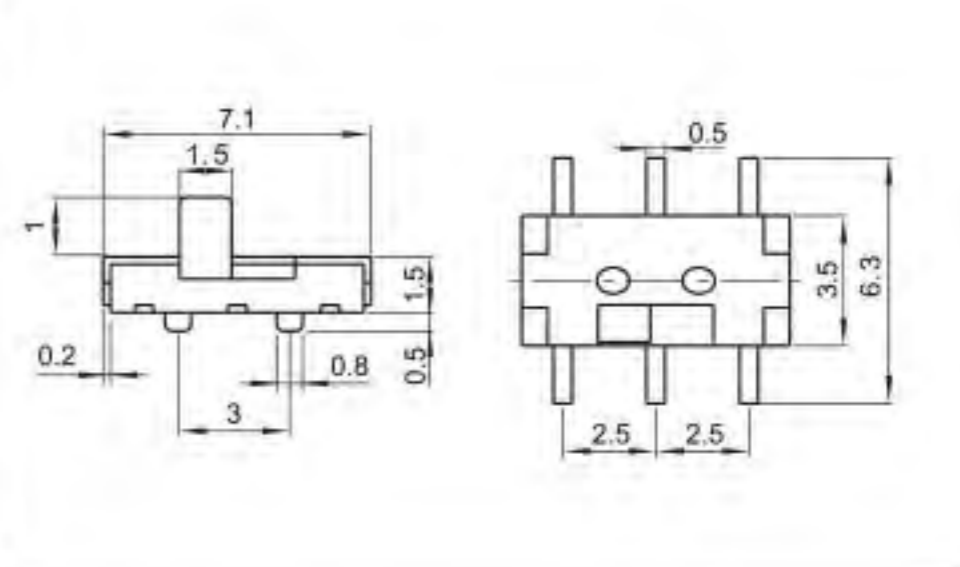
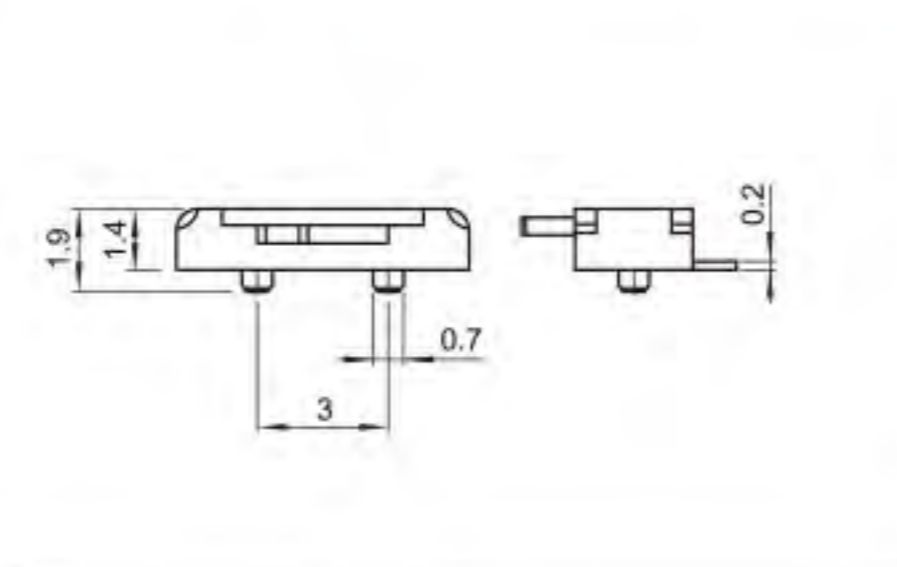
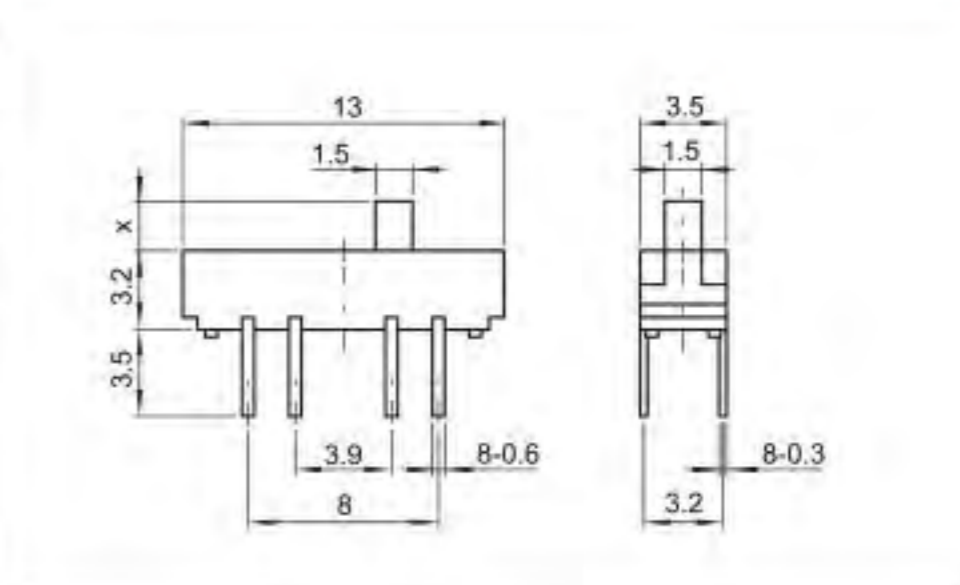
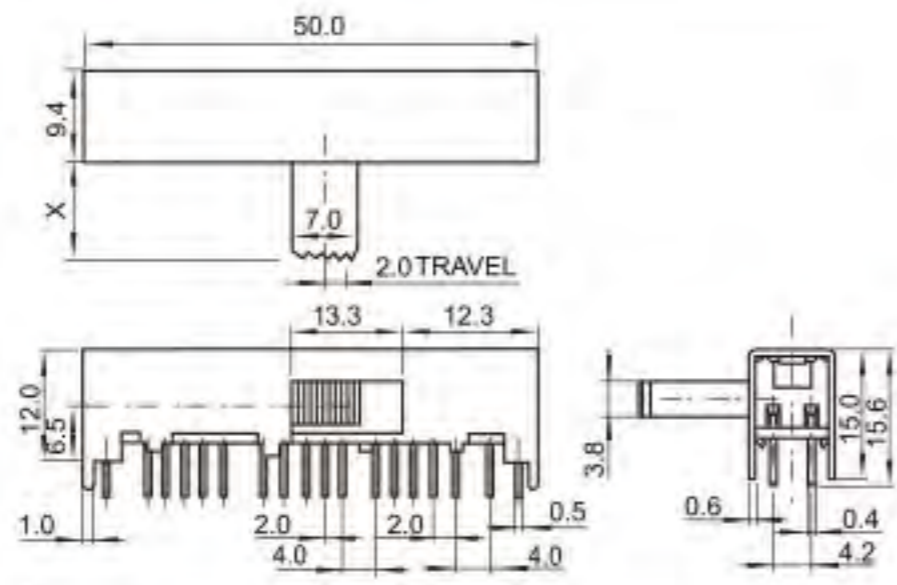


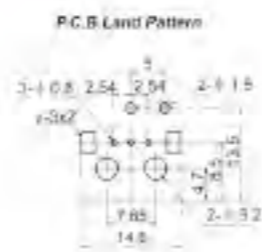
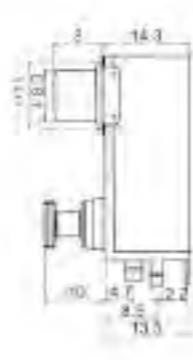
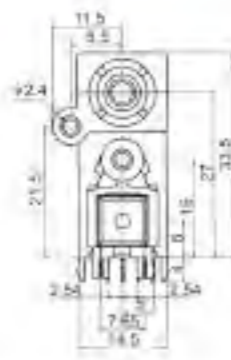




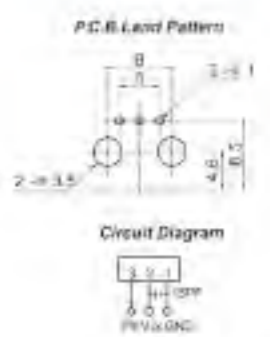
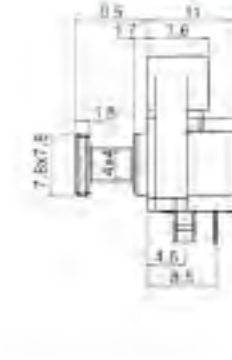




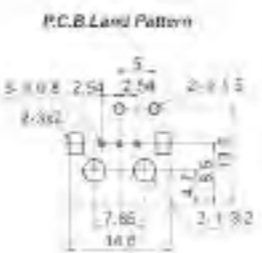
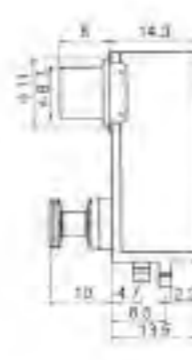
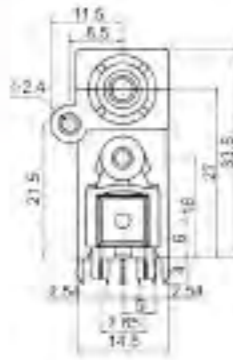




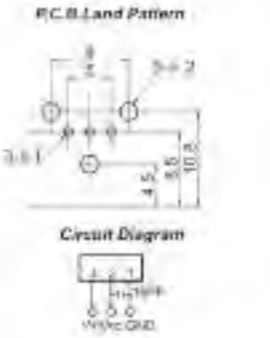
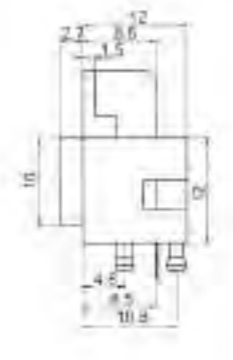
JQ-AV3+GQ-01



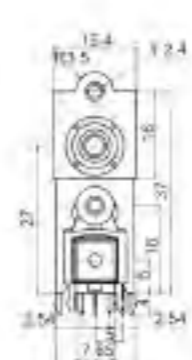
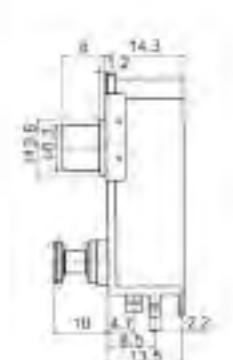
JQ-GQ-01



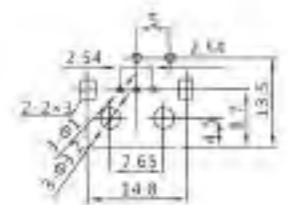
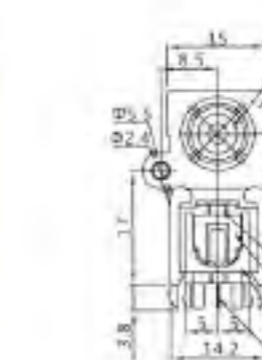
JQ-AV+GQ-01



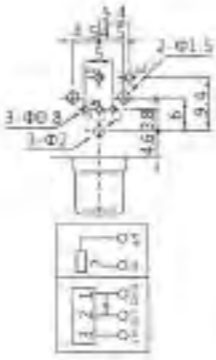
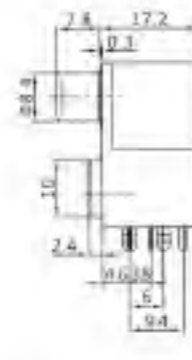
JQ-GQ-02



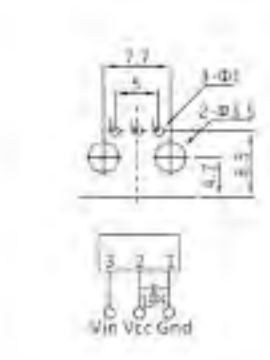
JQ-AV+GQ-02



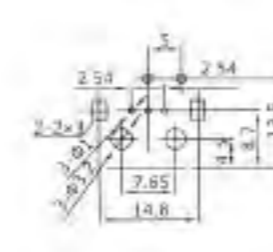
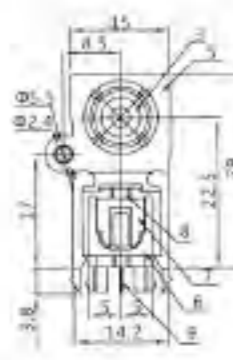
JQ-GQ-05B



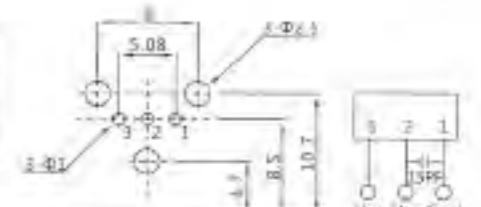
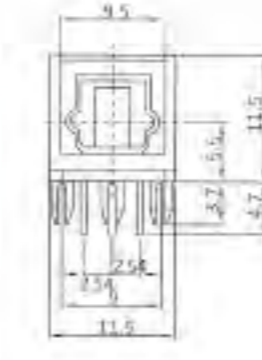
JQ-AV+GQ-04



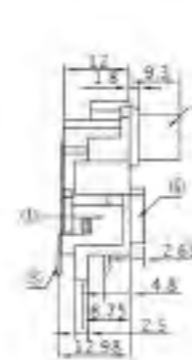
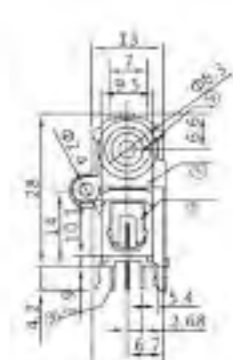
JQ-GQ-06



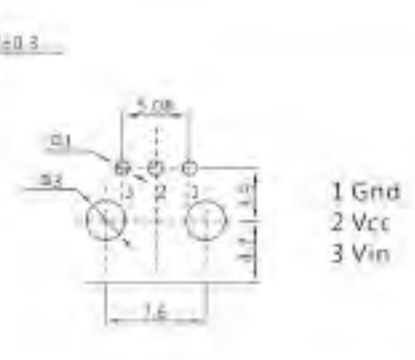
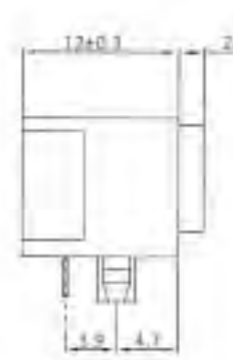
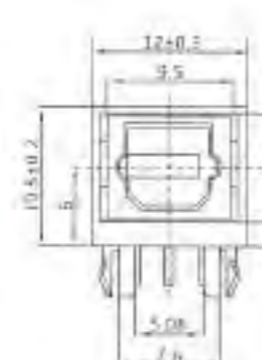
JQ-AV+GQ-05B



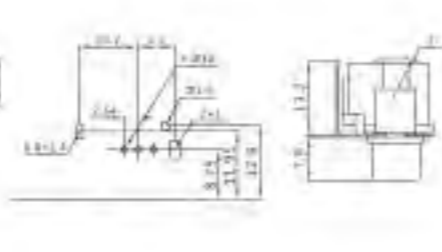
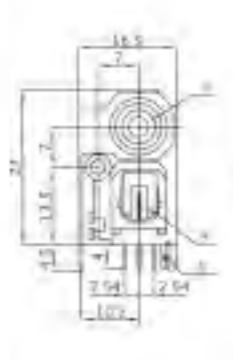
JQ-GQ-06A



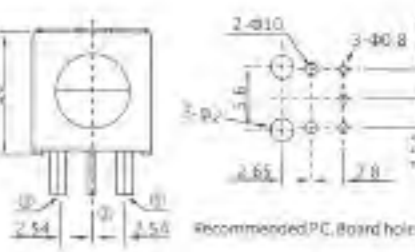
JQ-AV+GQ-013



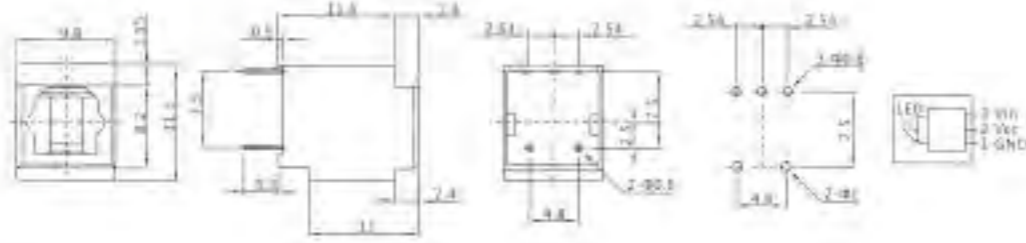
JQ-GQ-10B



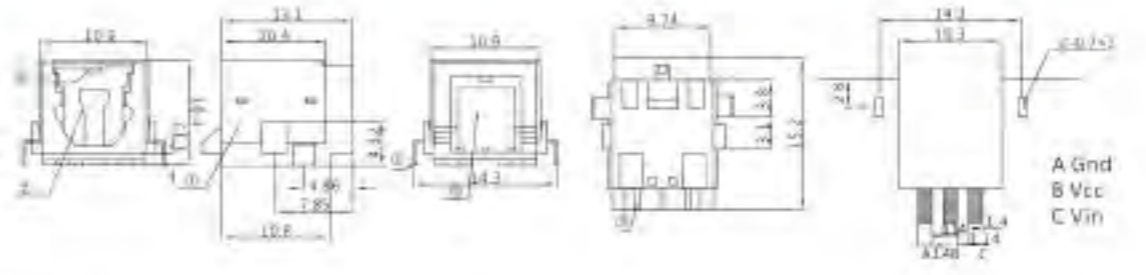
JQ-AV+GQ-014



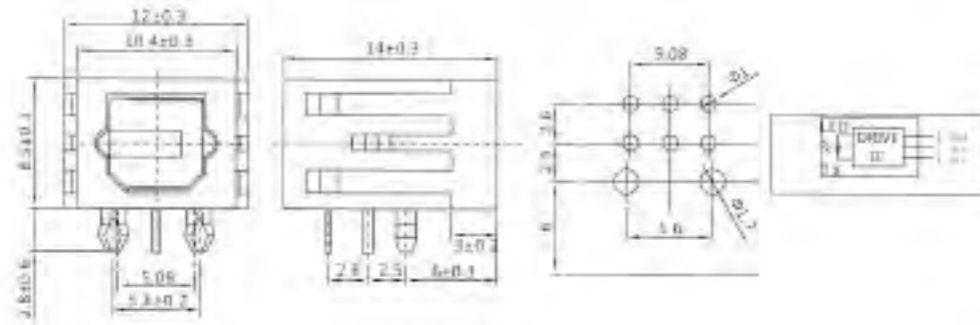
JQ-GQ-015



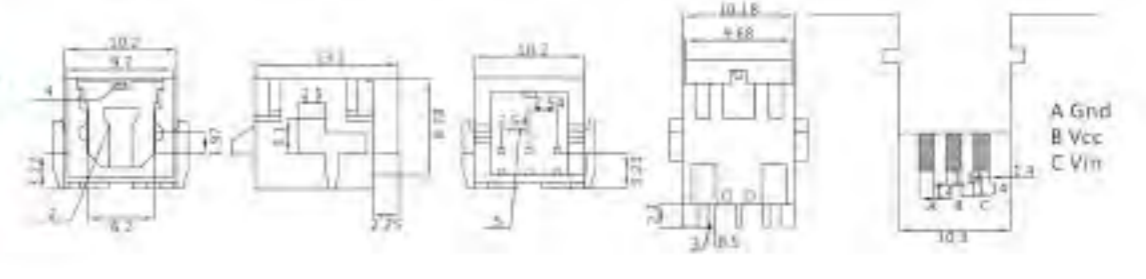
GQ-016



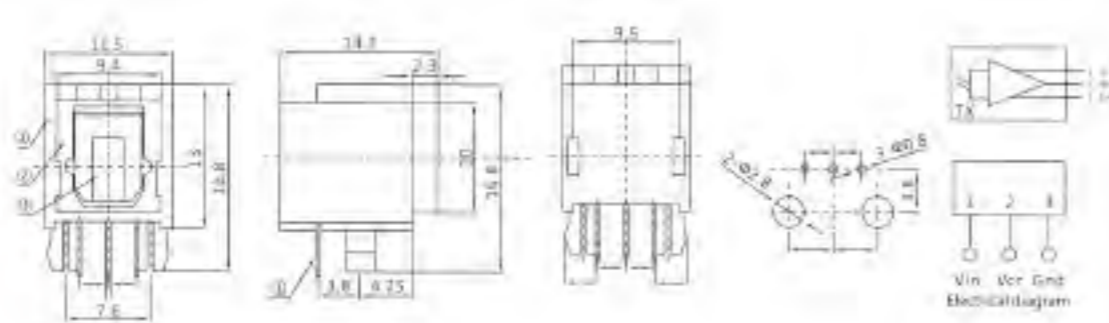
GQ-31(带铜壳)



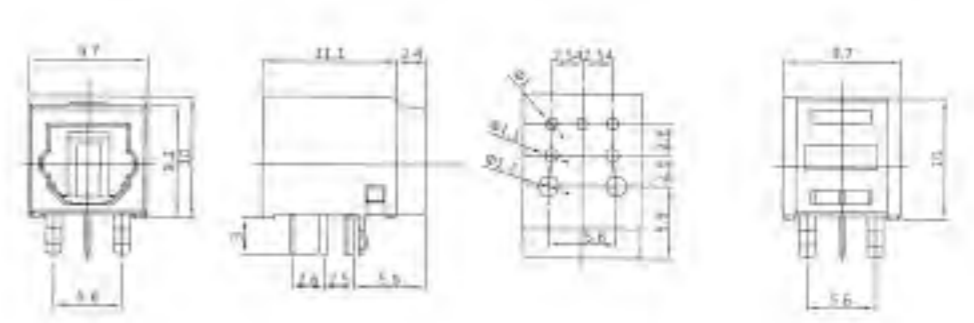
GQ-018



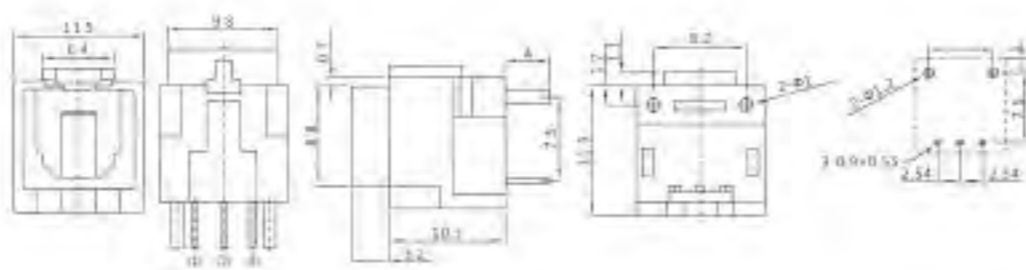
GQ-31 3.2 沉板



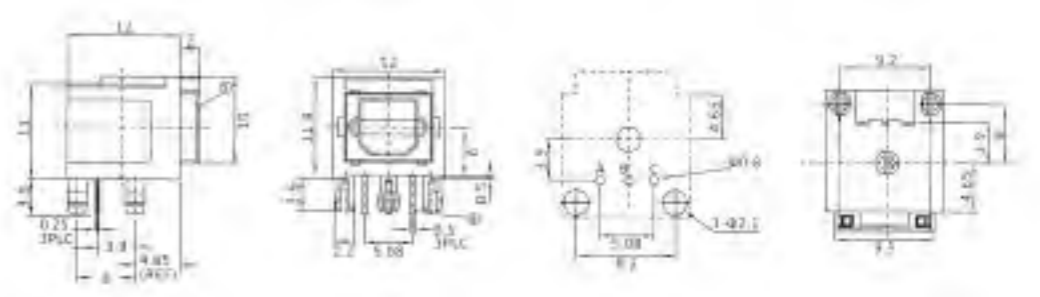
GQ-020



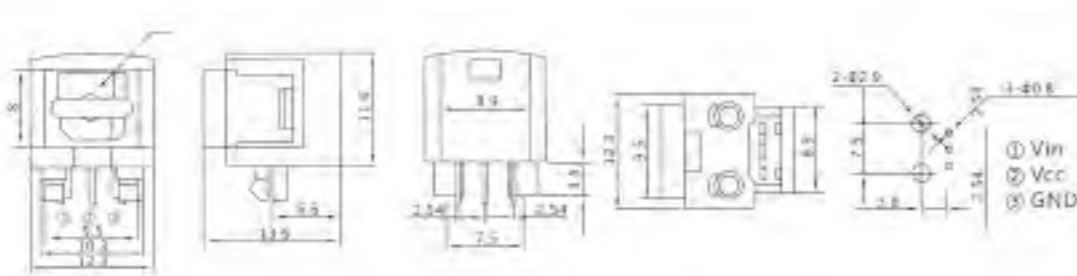
GQ-034



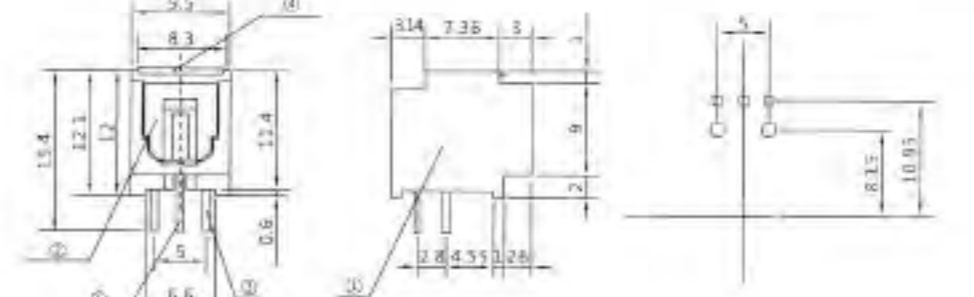
GQ-021



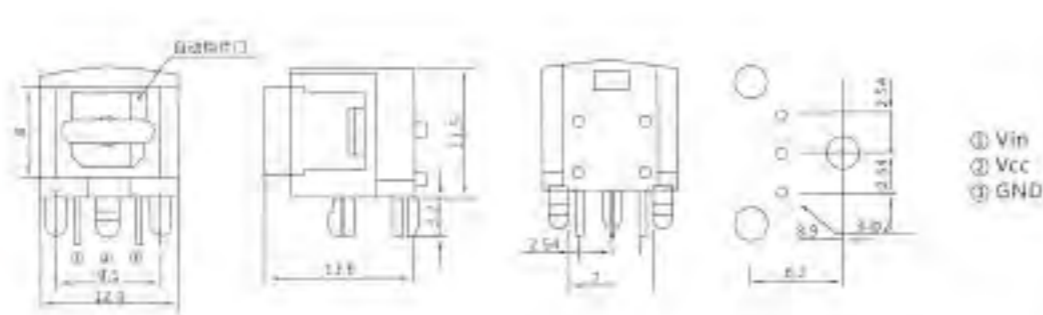
GQ-035



GQ-025



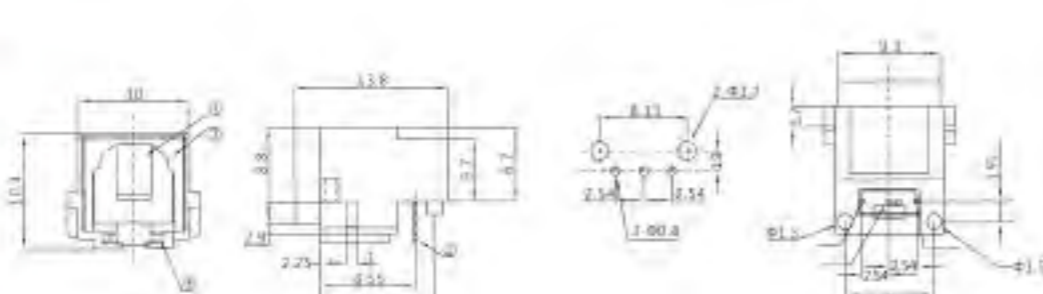
GQ-1150



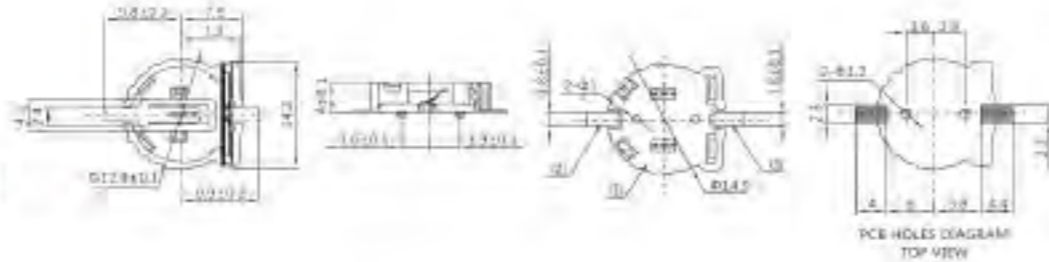
GQ-026



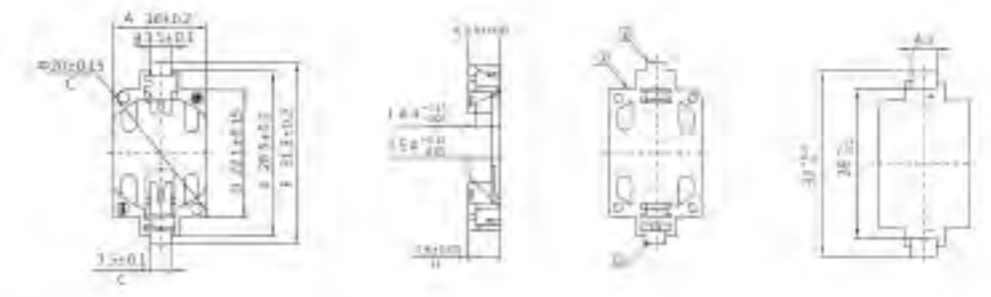
GQ-1150A



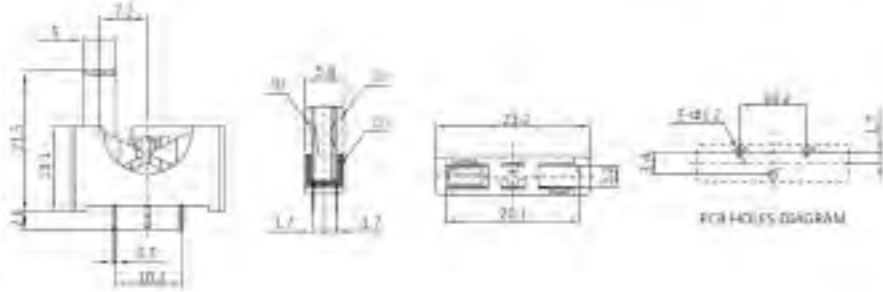
GQ-30F



CR-1220



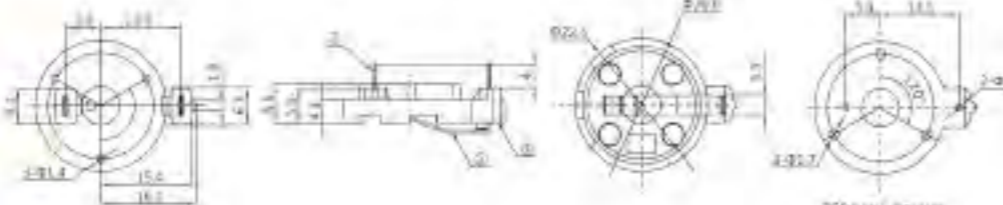
BS-6-2 Sn SMT(2032)



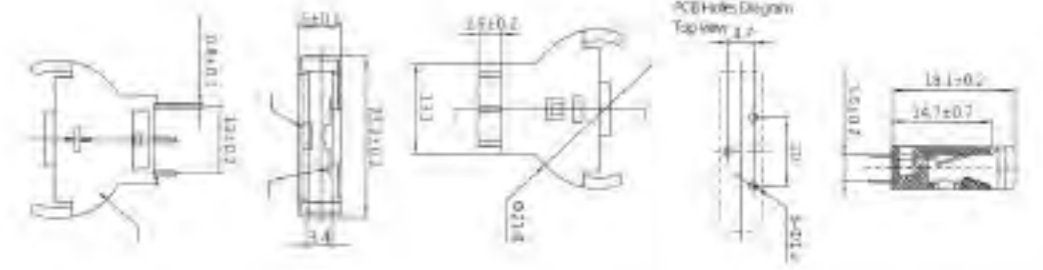
BS-5-2(2032)



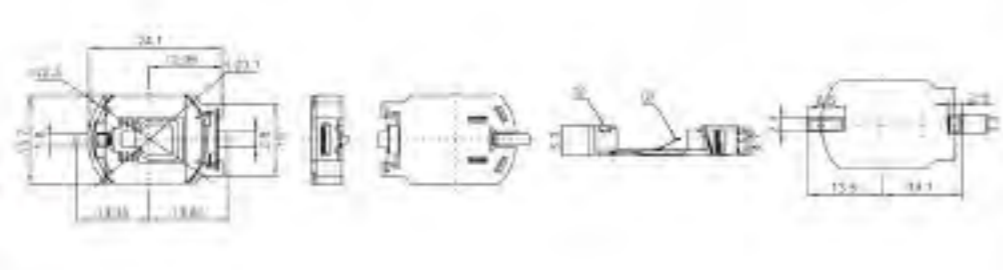
BS-6 Sn SMT(2032)



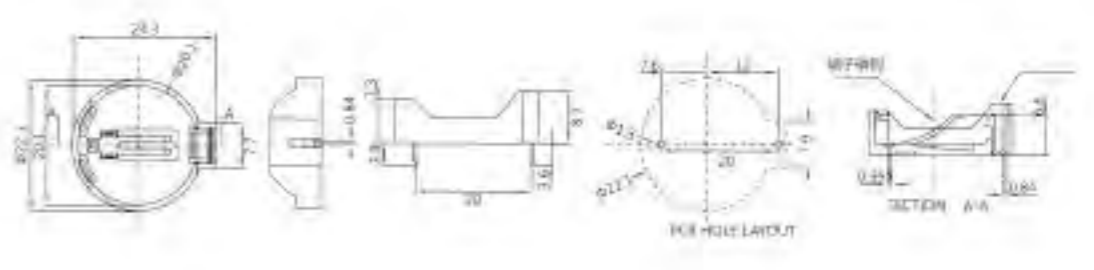
BS-3-1(2032)



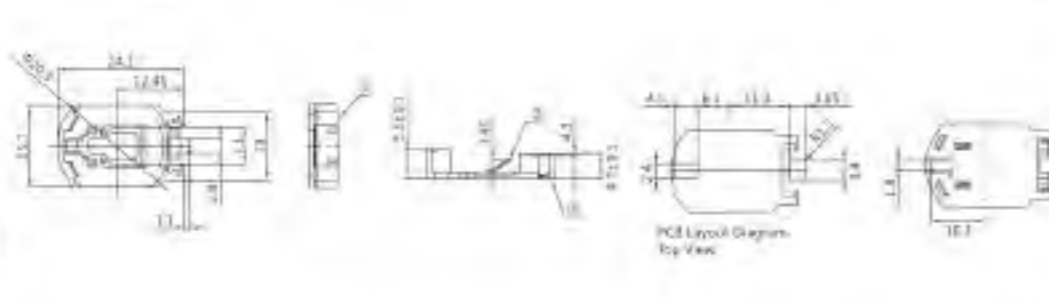
BS-5 Ni(2032)



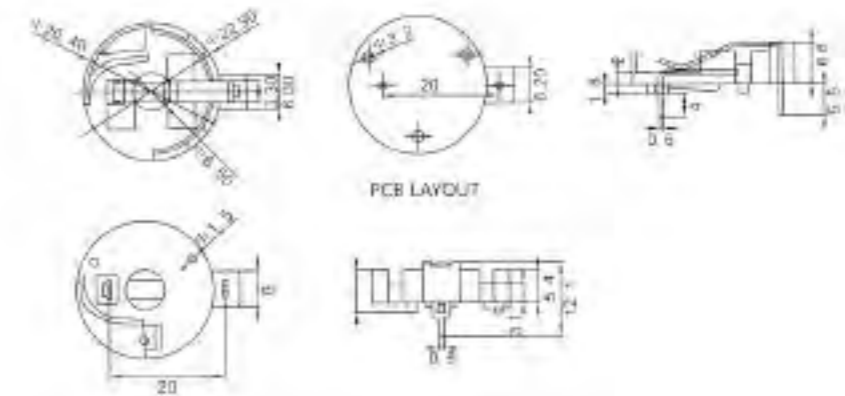
BS-8C SMT(2032)



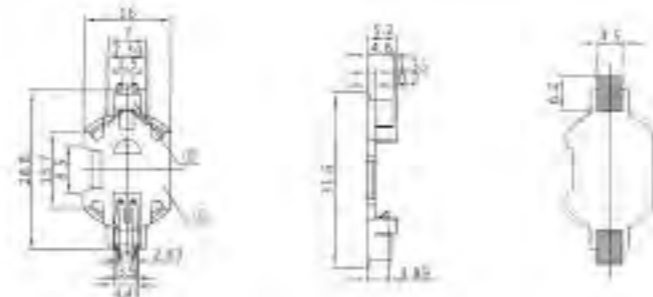
BS-2(2032)



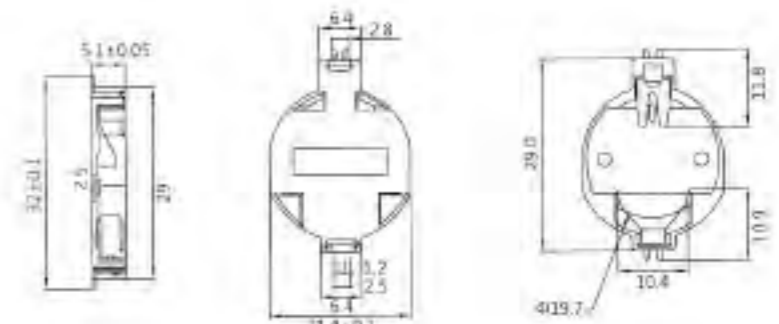
BS-8 SMT(2032)



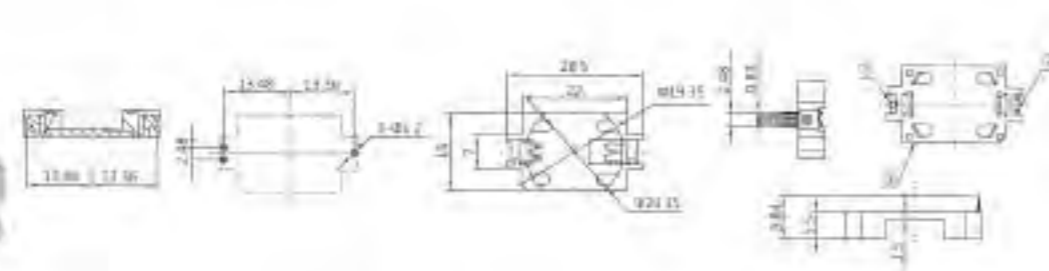
BS-3(2032)



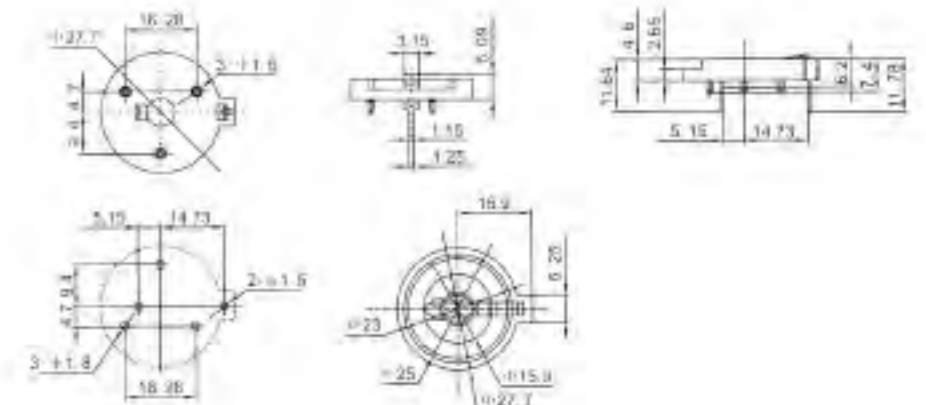
BS-6-2DIP Sn(2032)



BS-2032-SONY(2032)



BS-6DIP Sn(2032)

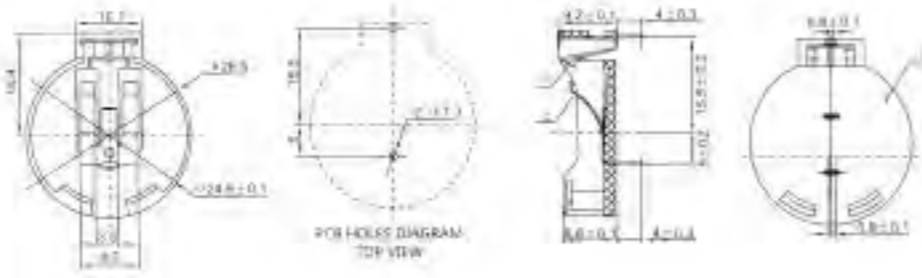


BS-2430-1

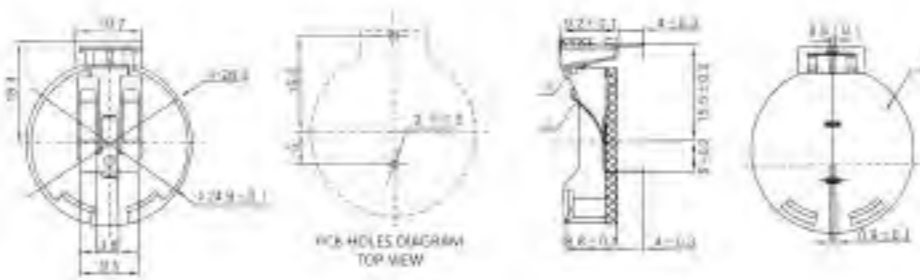




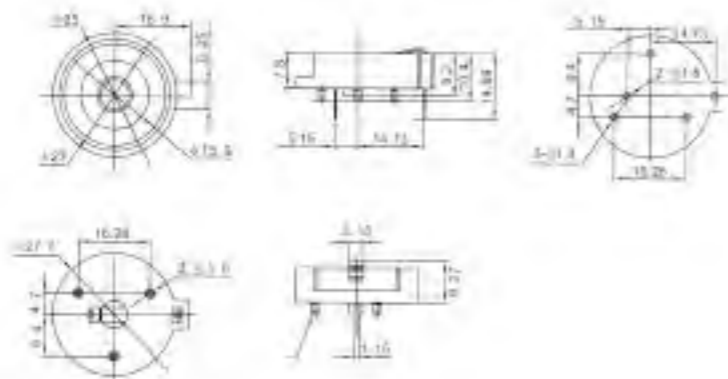
BS-3



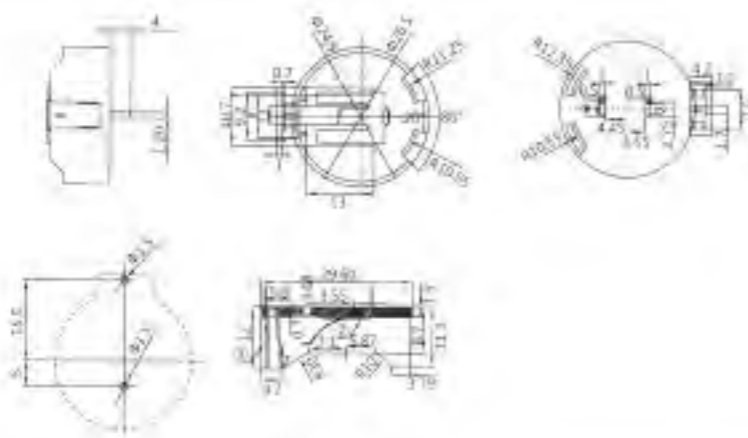
BS-2450-1



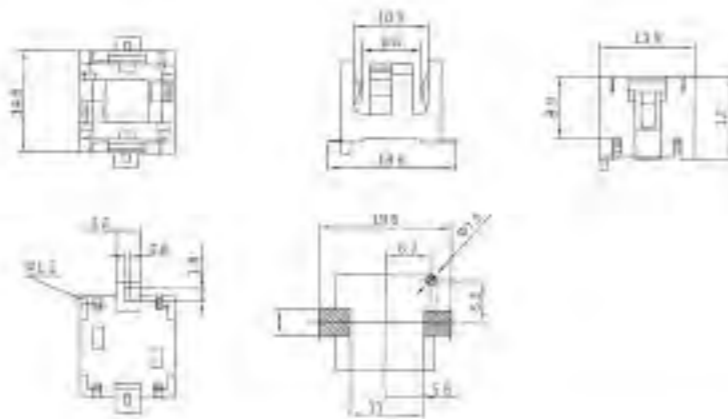
BS-2450-1 带筋



BS-2477-2



BS-2477-1



AG13 电池座



科技创新，智造未来



**乐清埃贝肯电气有限公司**

YUEQING AIBEIKEN ELECTRIC CO., LTD

Add: 198-208 Station Road, Liushi Town, Yueqing City, Zhejiang, China

Tel: 0086 577-61776977

Tel: 0086-577-61776877

E-mail: abbeycon@cncvb.com

Web: www.abbeycon.com

